

LPC SUBMISSION

OCTOBER 23, 2017

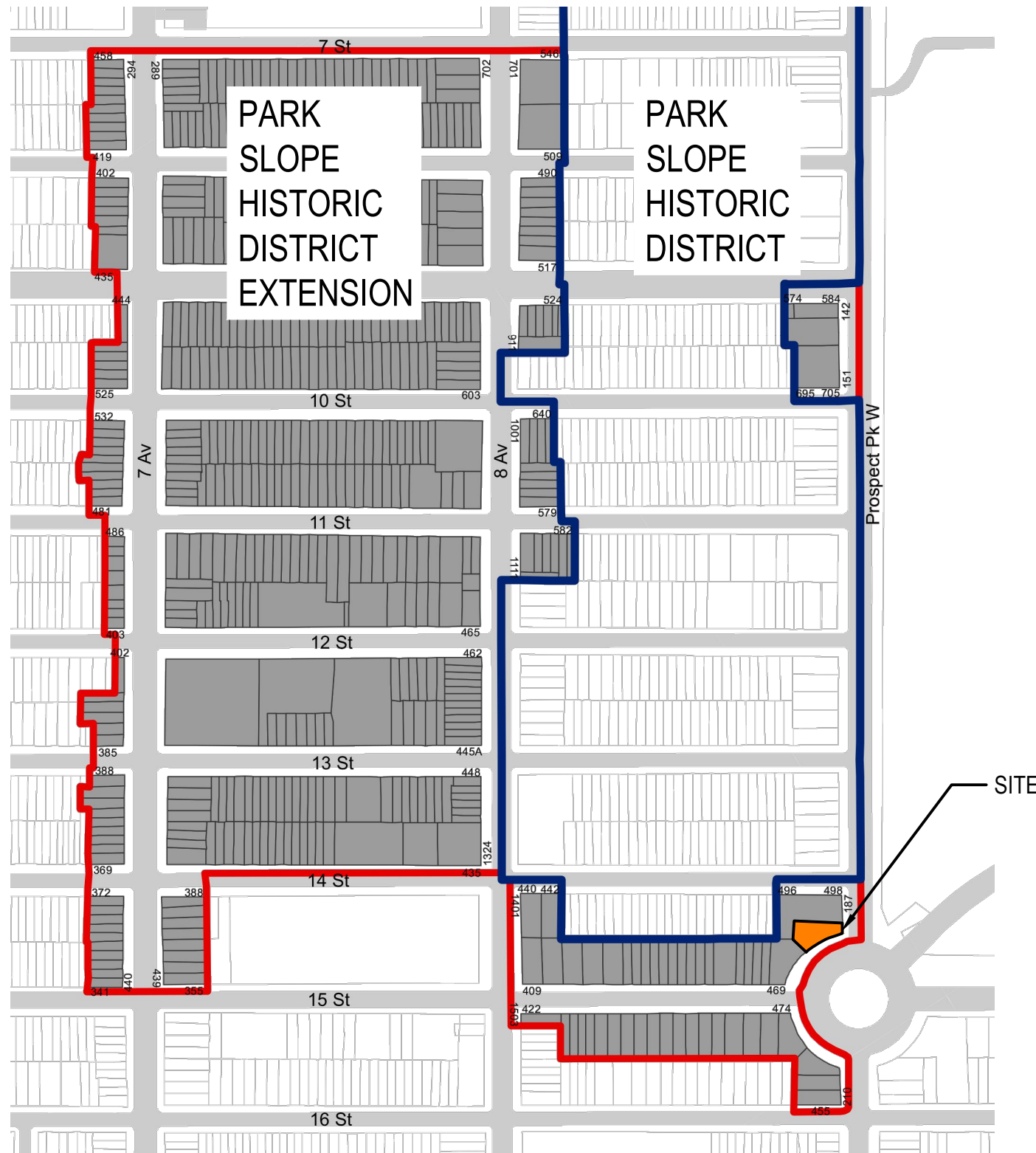
MERCHANT STOREFRONT BUILDING

192 PROSPECT PARK WEST

BROOKLYN, NY 11215

BLOCK: 1103 LOT: 42 TAX MAP NO.: 16D ZONING: R8B W/ C2-4 OVERLAY

HIDROCK REALTY



1 PRESERVATION DISTRIC MAP



2 AERIAL MAP

REV. 12/18/2017
REV. 1/8/2018
REV. 1/10/2018



CURRENT VIEW FROM BARTEL-PRITCHARD SQ.



CURRENT VIEW FROM PROSPECT PARK



1980's TAX PHOTO



1940's TAX PHOTO



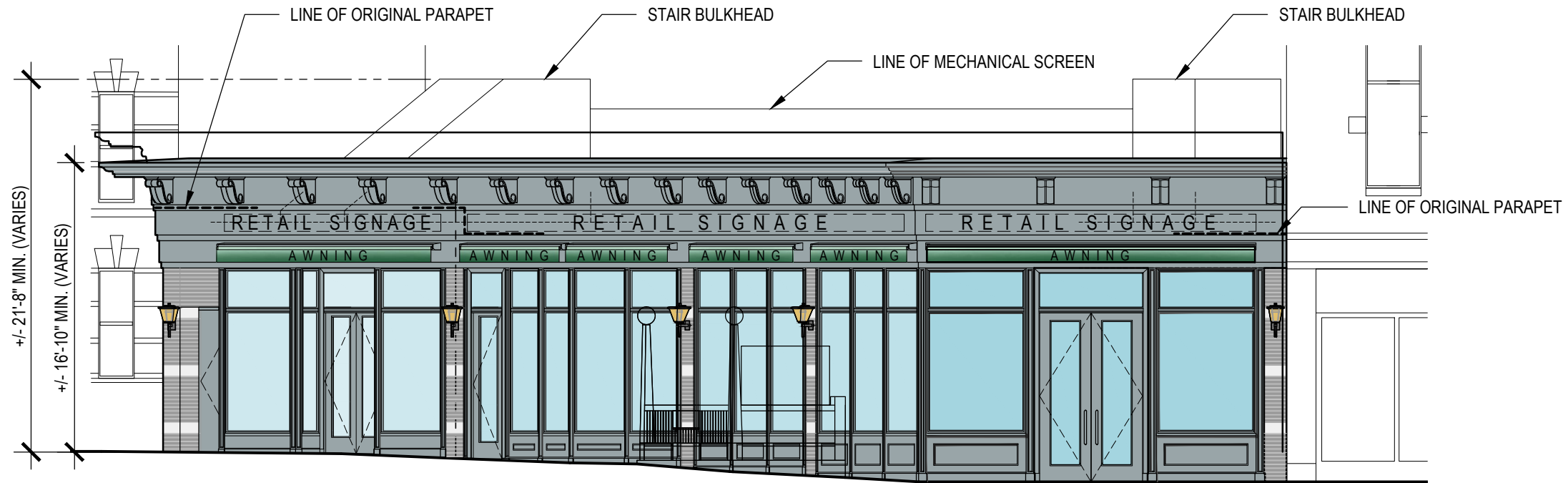
1930's NY TRANSIT PHOTO



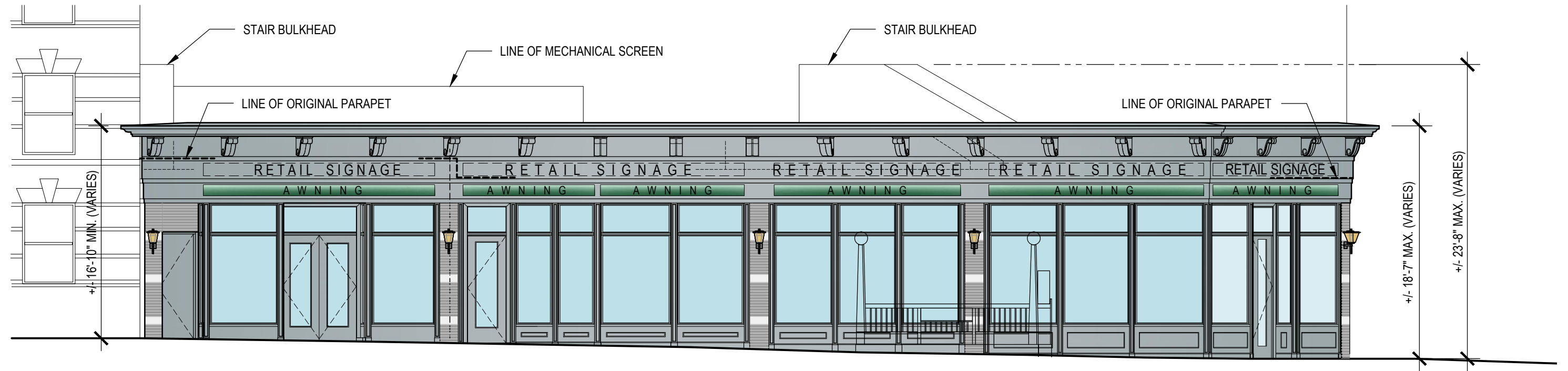
2018 PHOTO RENDER



2018 PHOTO RENDER

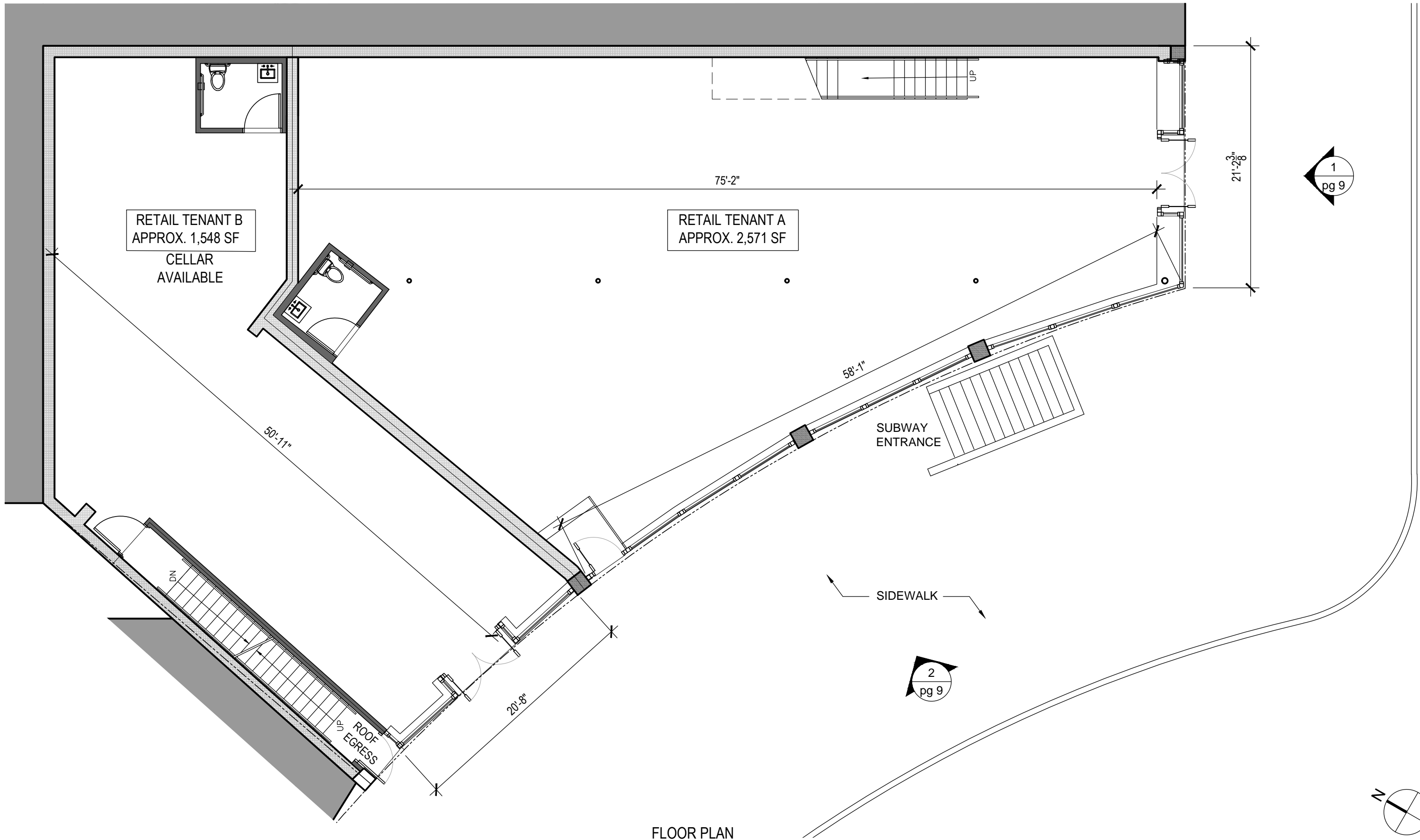


1 PROSPECT PARK WEST ELEVATION
SCALE: 1/8" = 1'-0"

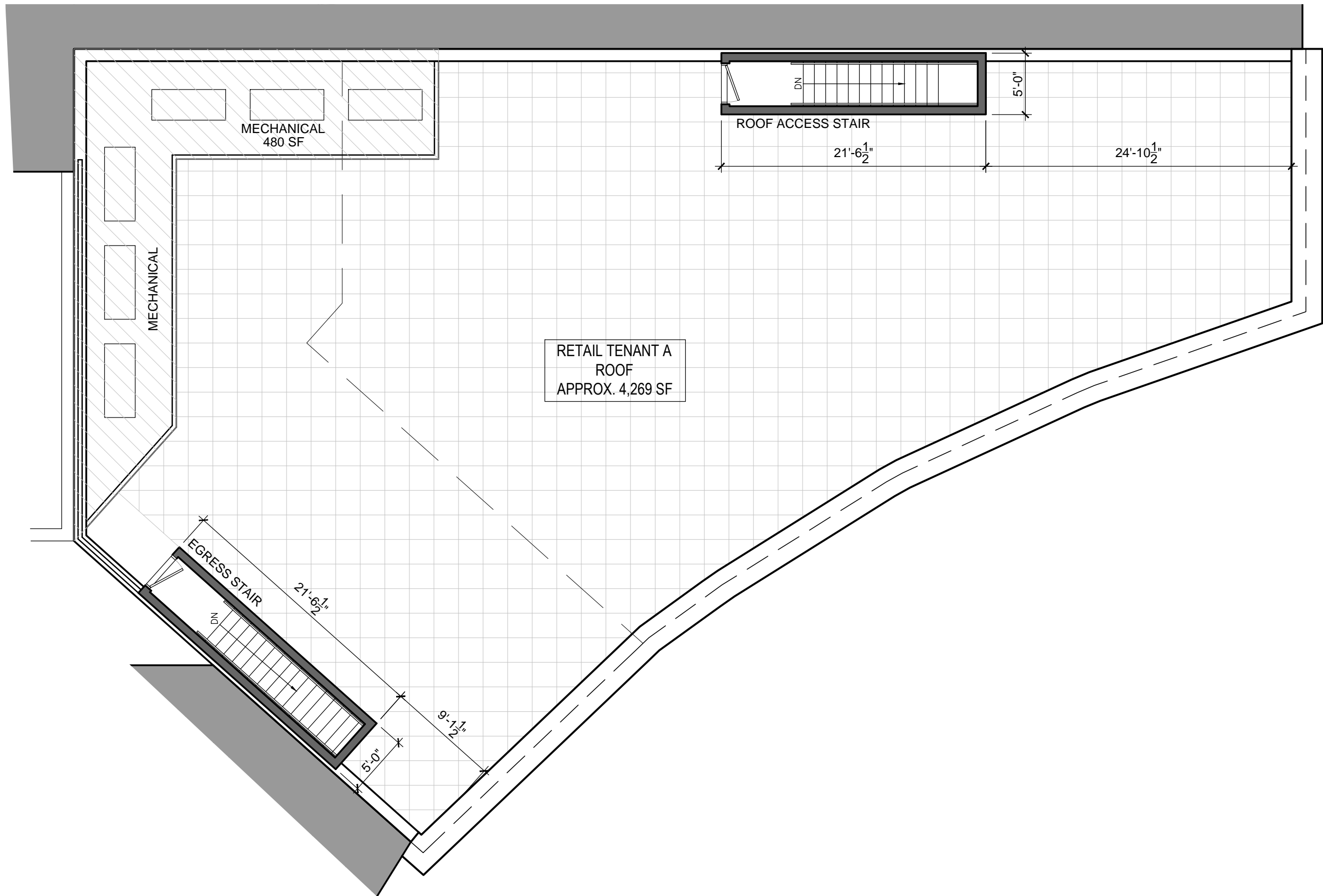


2 BARTEL-PRITCHARD SQUARE ELEVATION
SCALE: 1/8" = 1'-0"

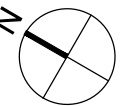
BUILDING ELEVATIONS

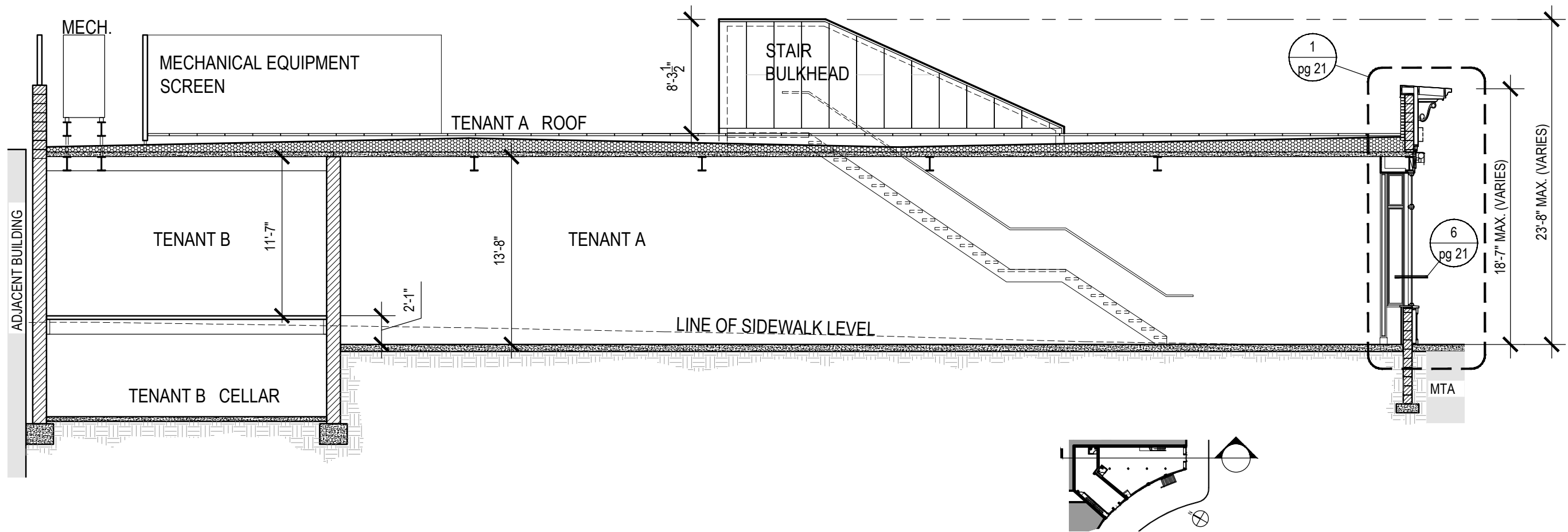


FLOOR PLAN

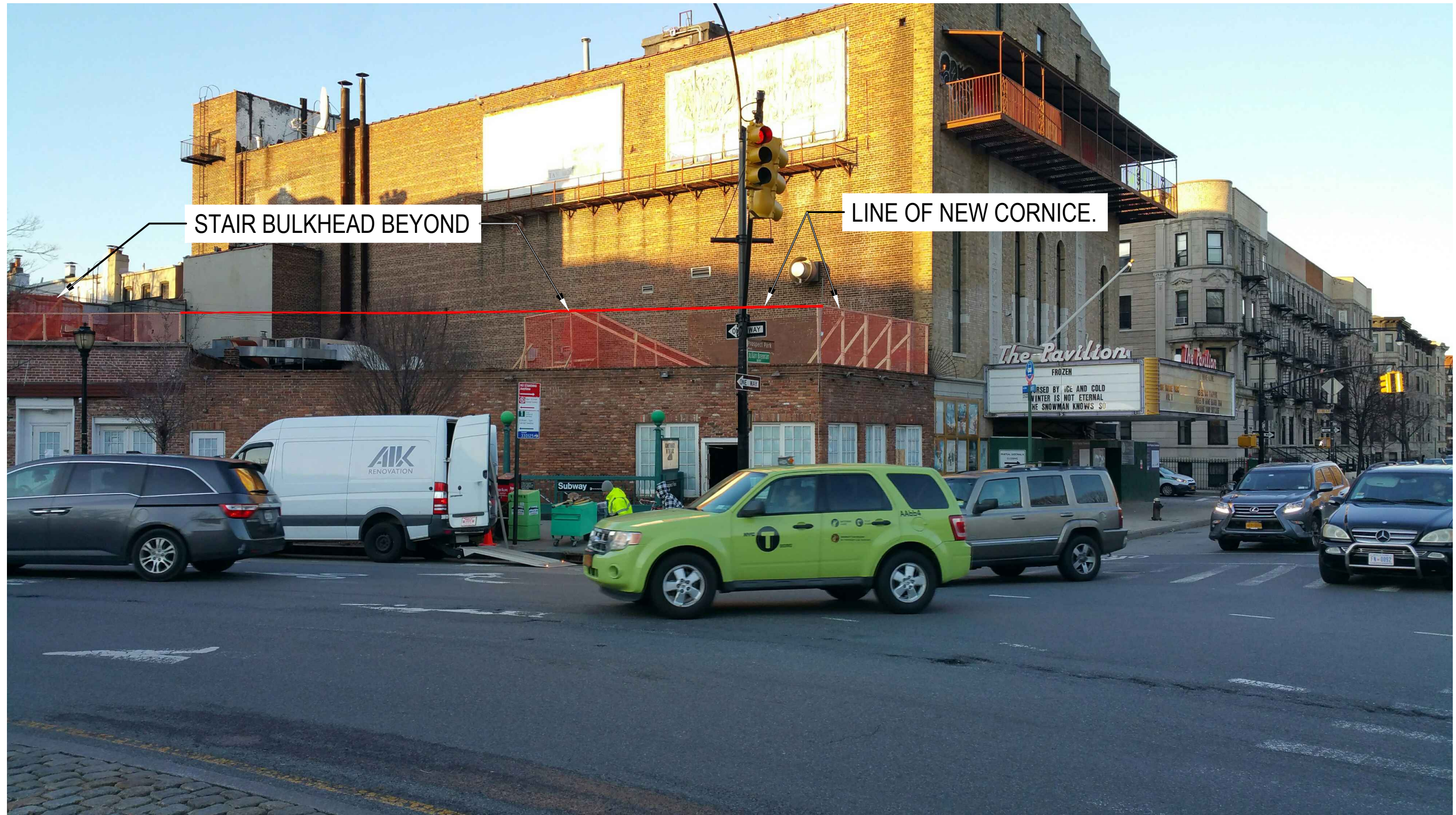


ROOF PLAN





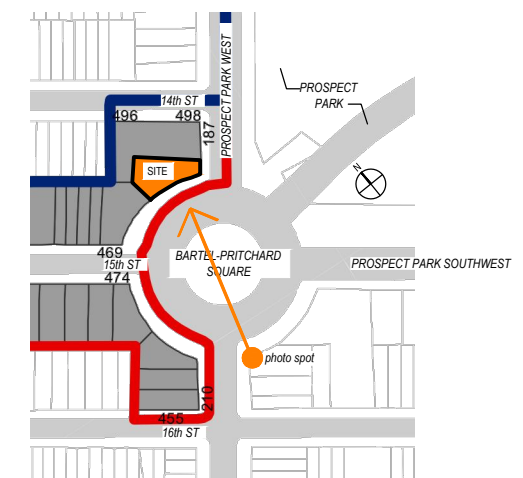
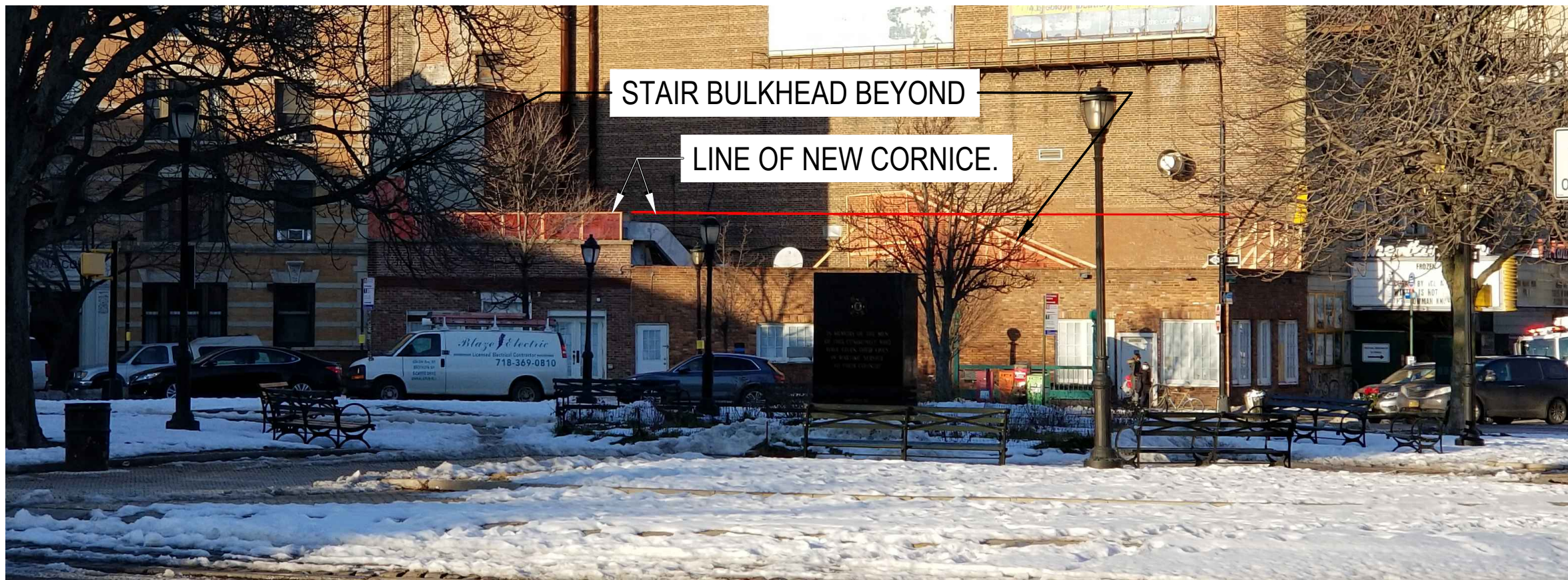
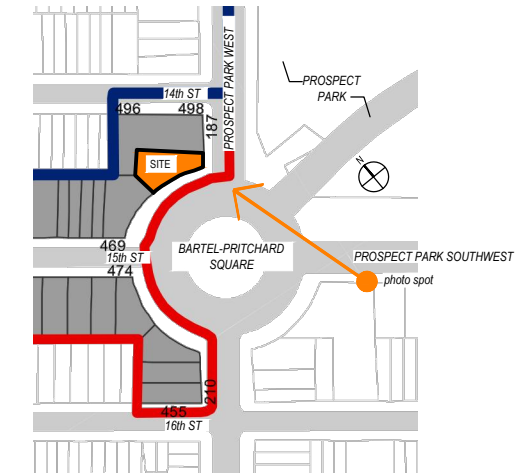
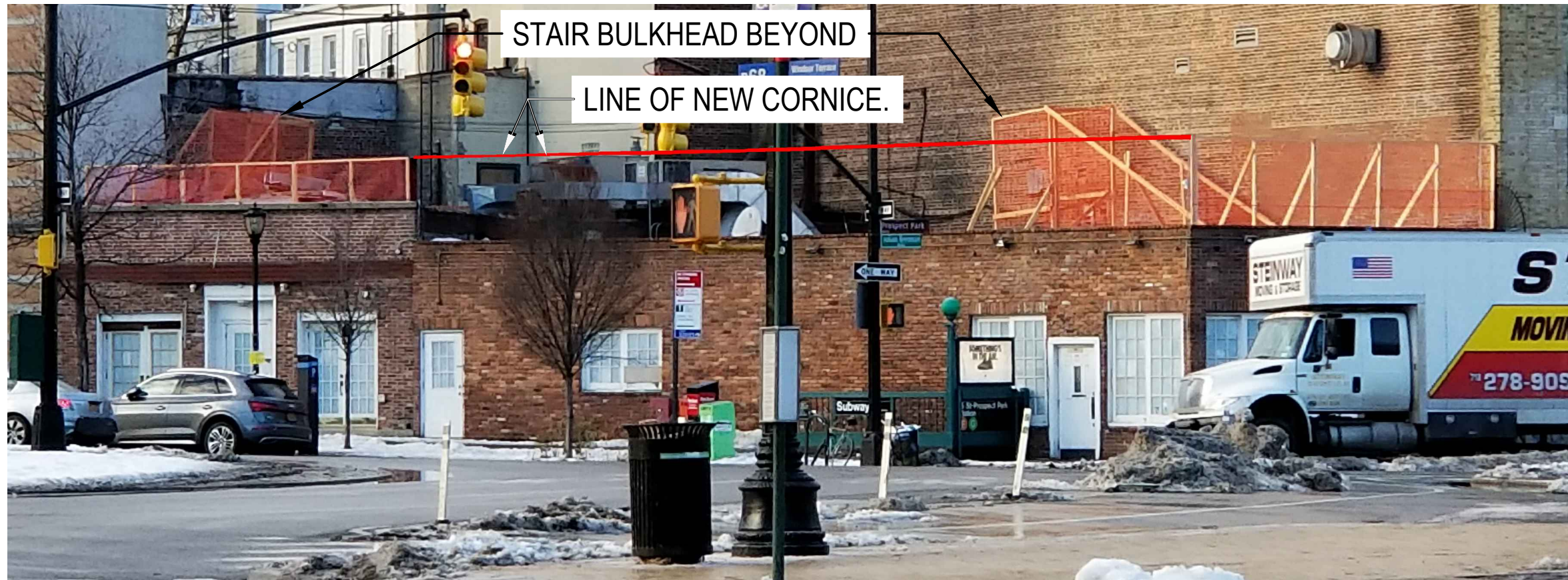
OVERALL BUILDING SECTION



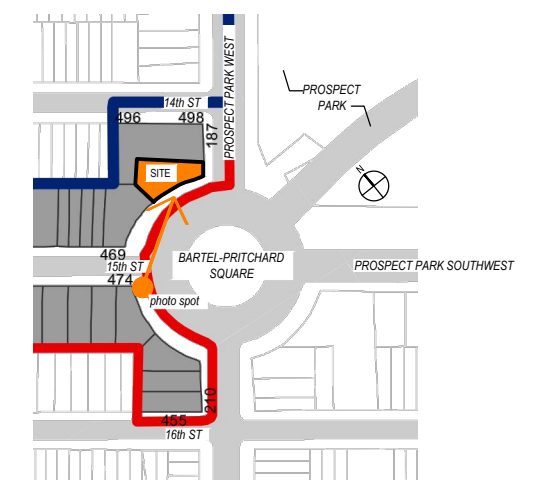
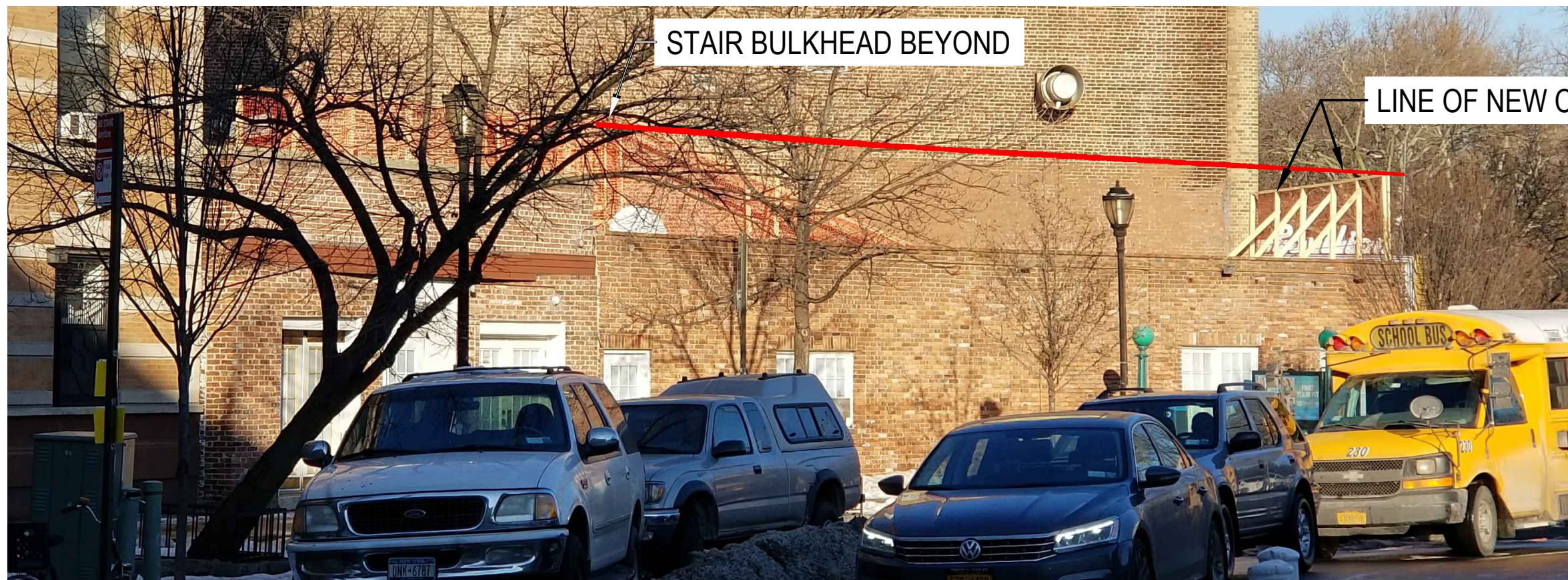
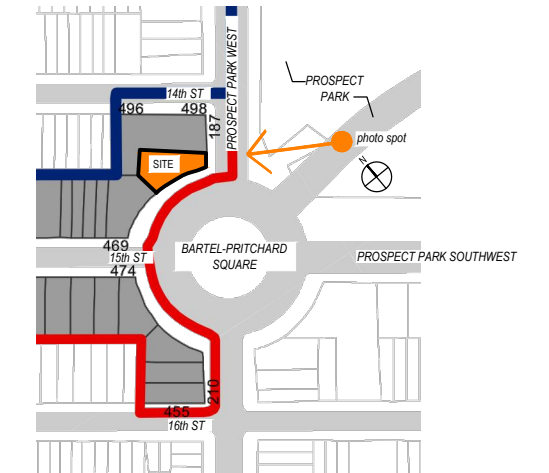
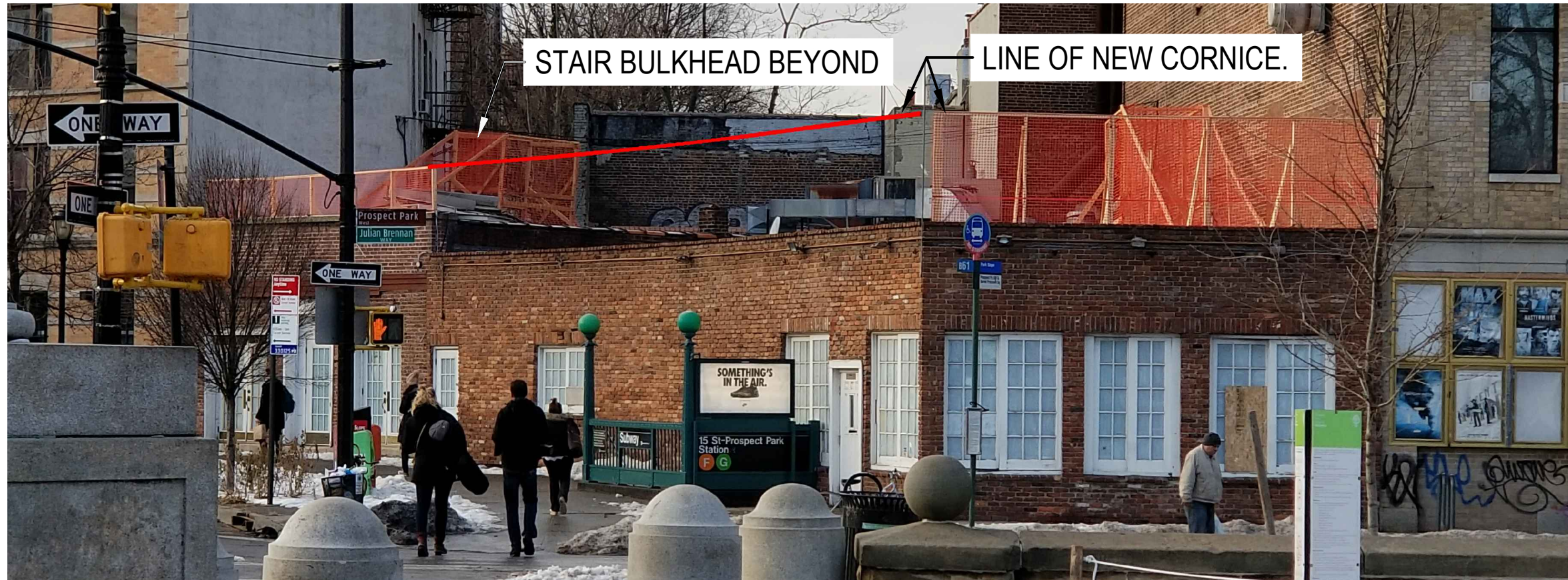
MOCKUP PHOTO MONTAGE



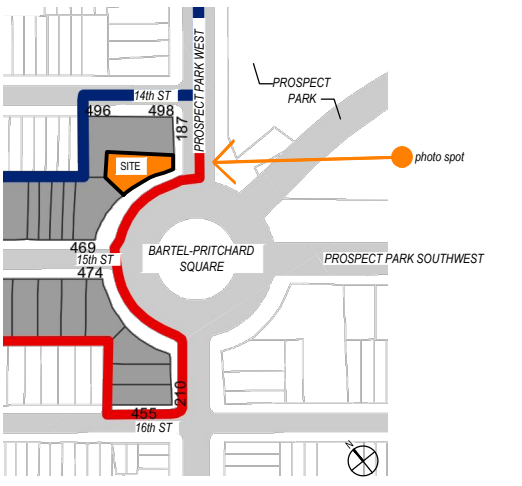
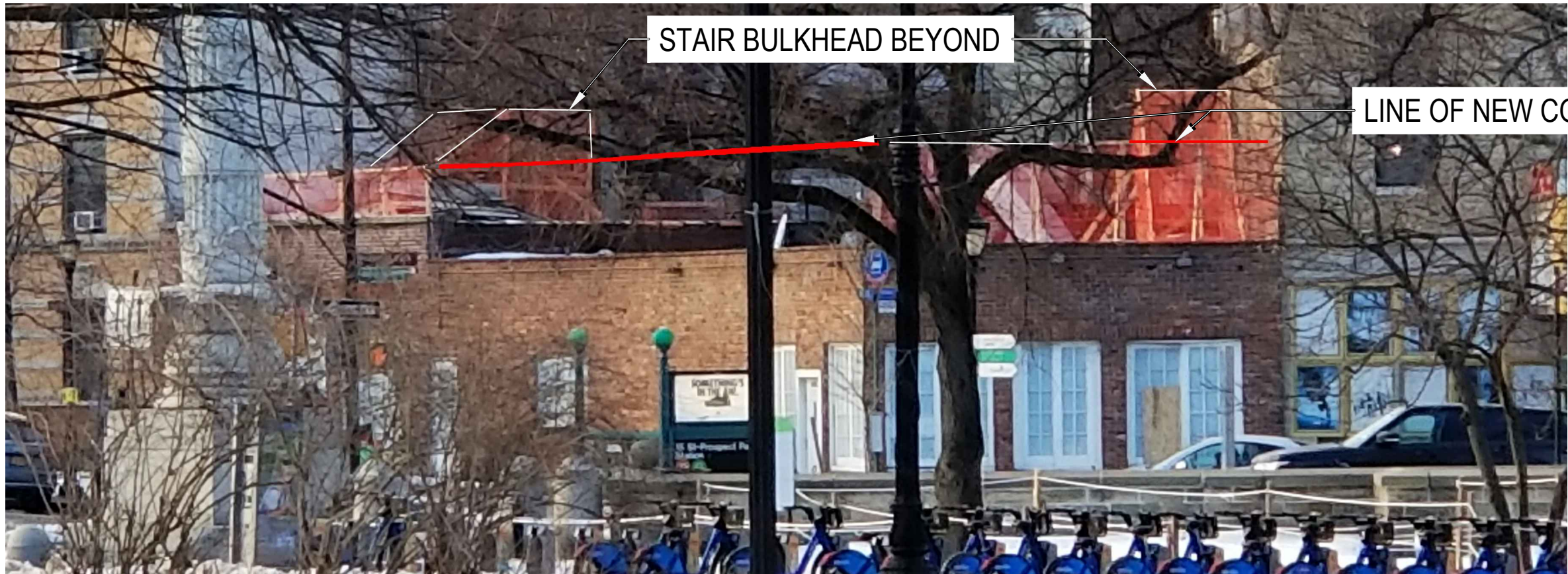
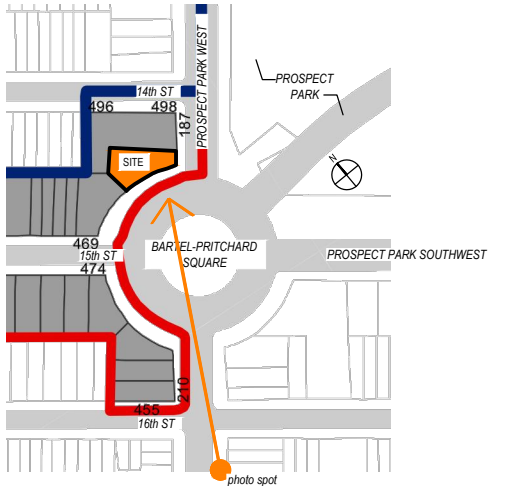
MOCKUP PHOTO MONTAGE



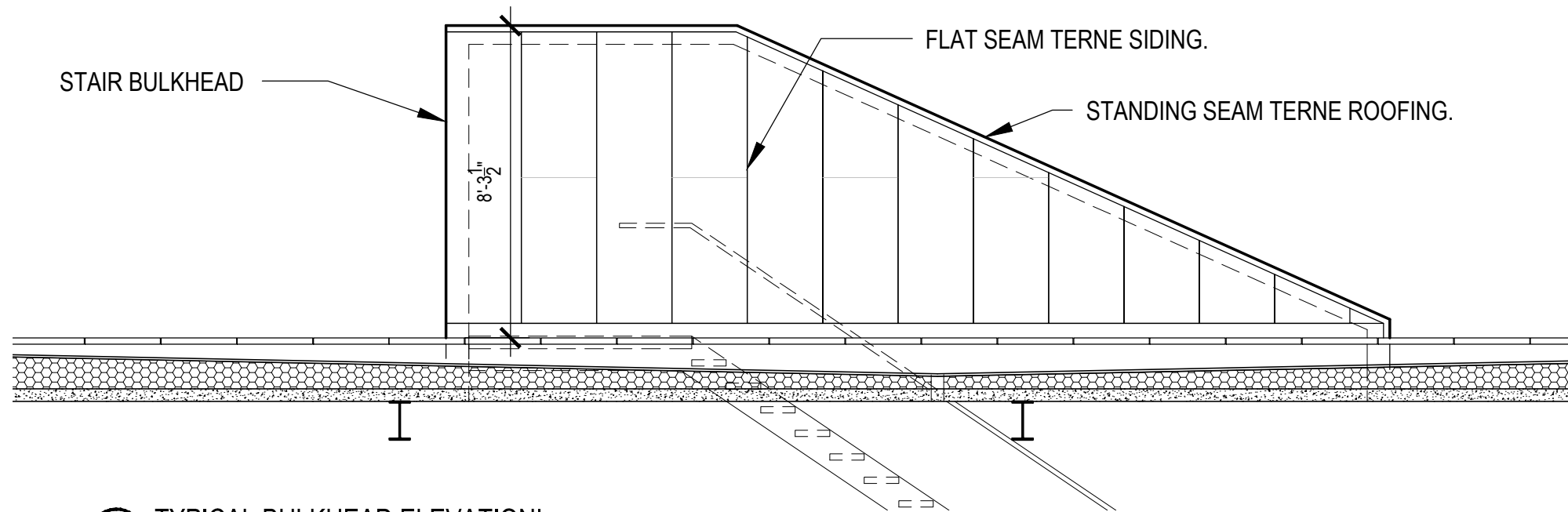
MOCKUP PHOTO MONTAGE



MOCKUP PHOTO MONTAGE



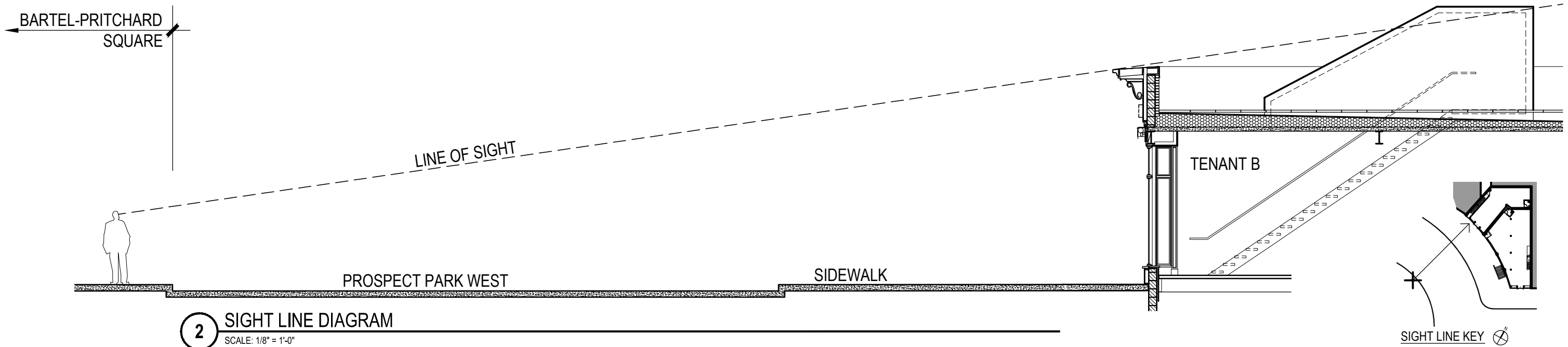
MOCKUP PHOTO MONTAGE



1 TYPICAL BULKHEAD ELEVATION I
SCALE: 1/2" = 1'-0"

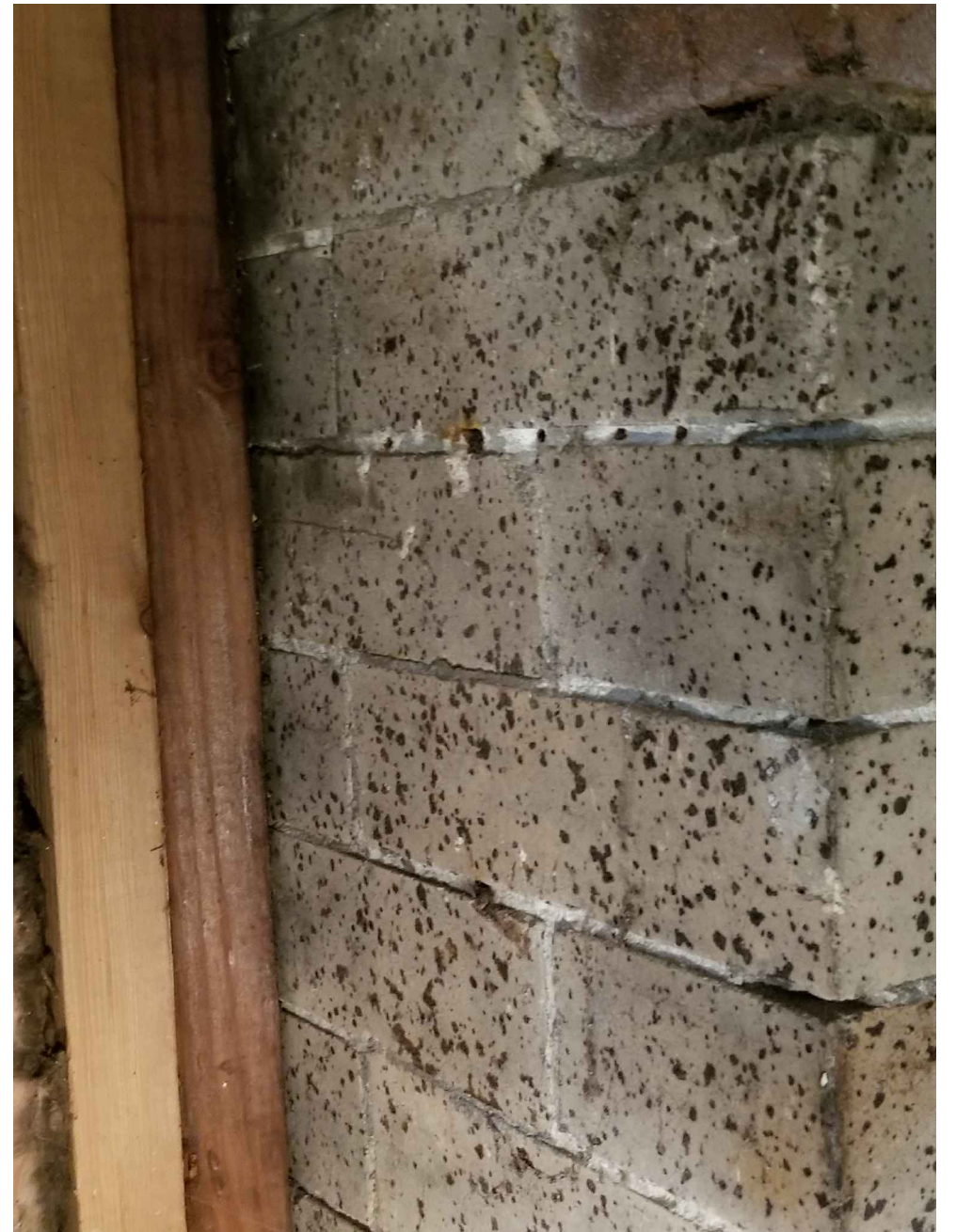


1a FLAT SEAM TERNE EXAMPLE
SCALE: 1/2" = 1'-0"



2 SIGHT LINE DIAGRAM
SCALE: 1/8" = 1'-0"

TYPICAL STAIR BULKHEAD ENLARGED ELEVATION & LINE OF SIGHT

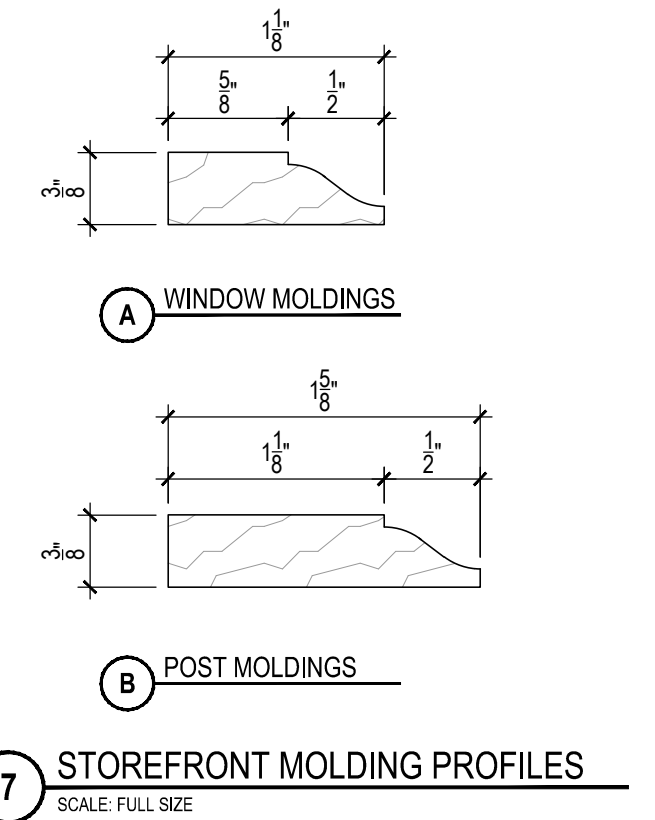
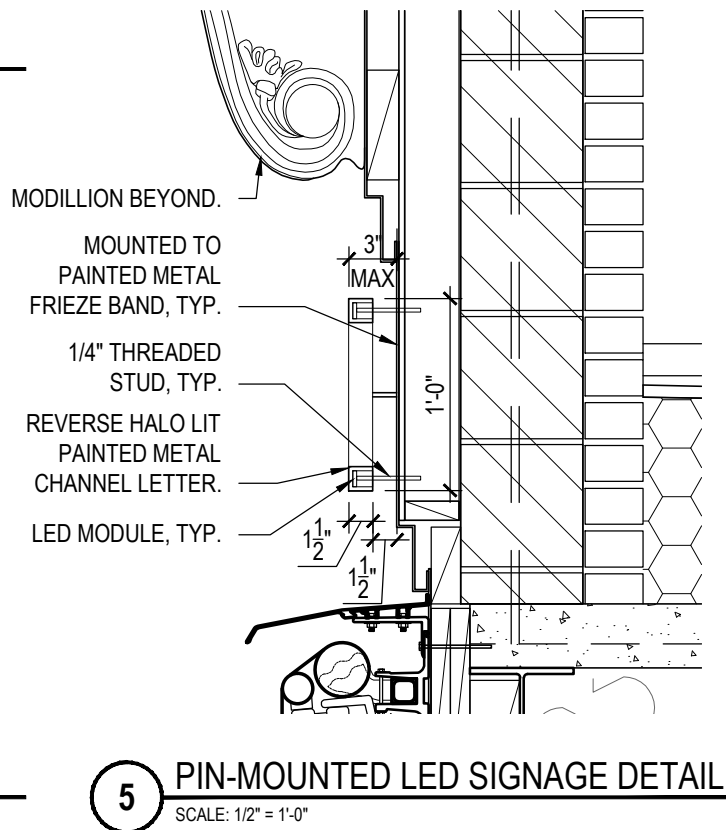
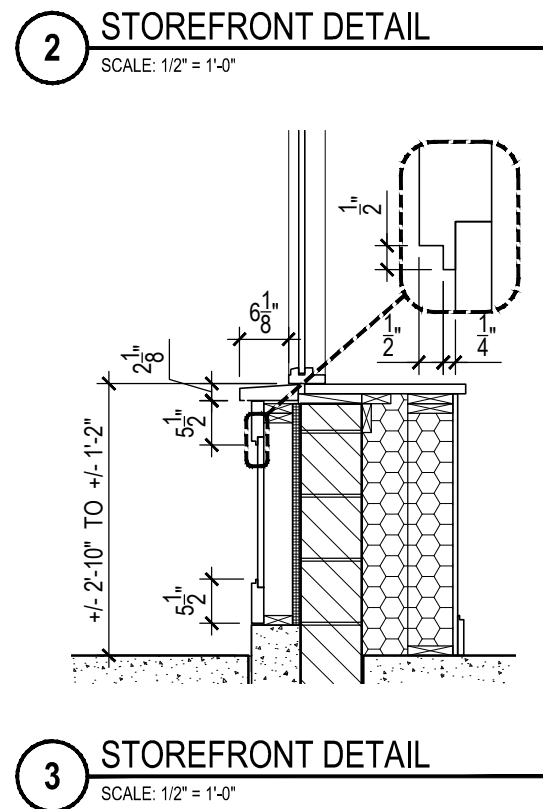
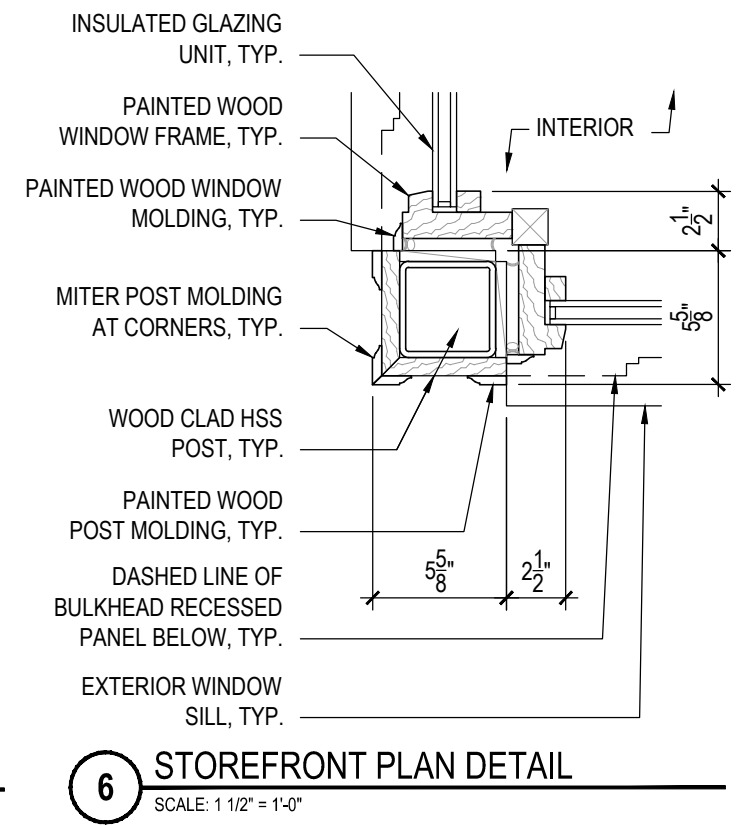
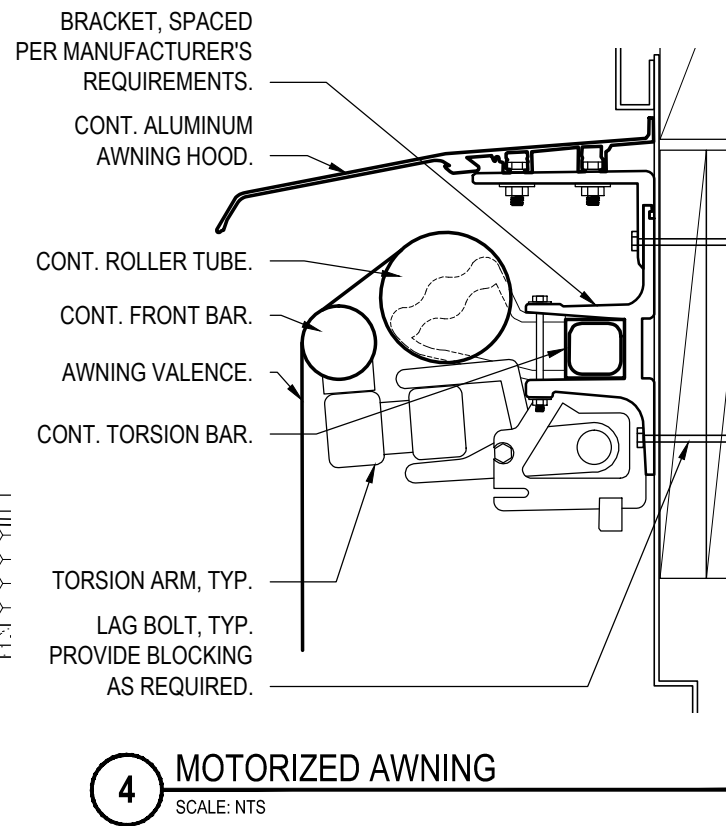
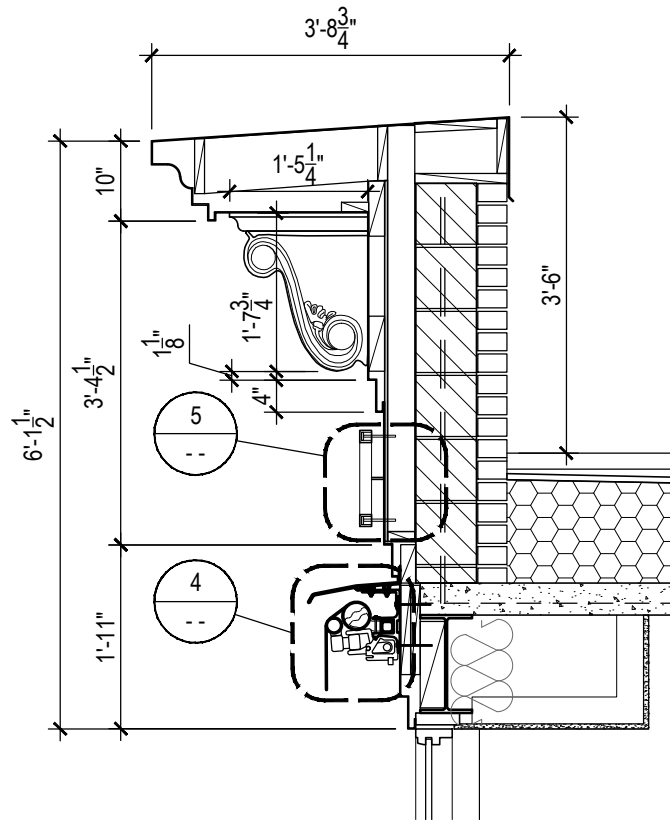
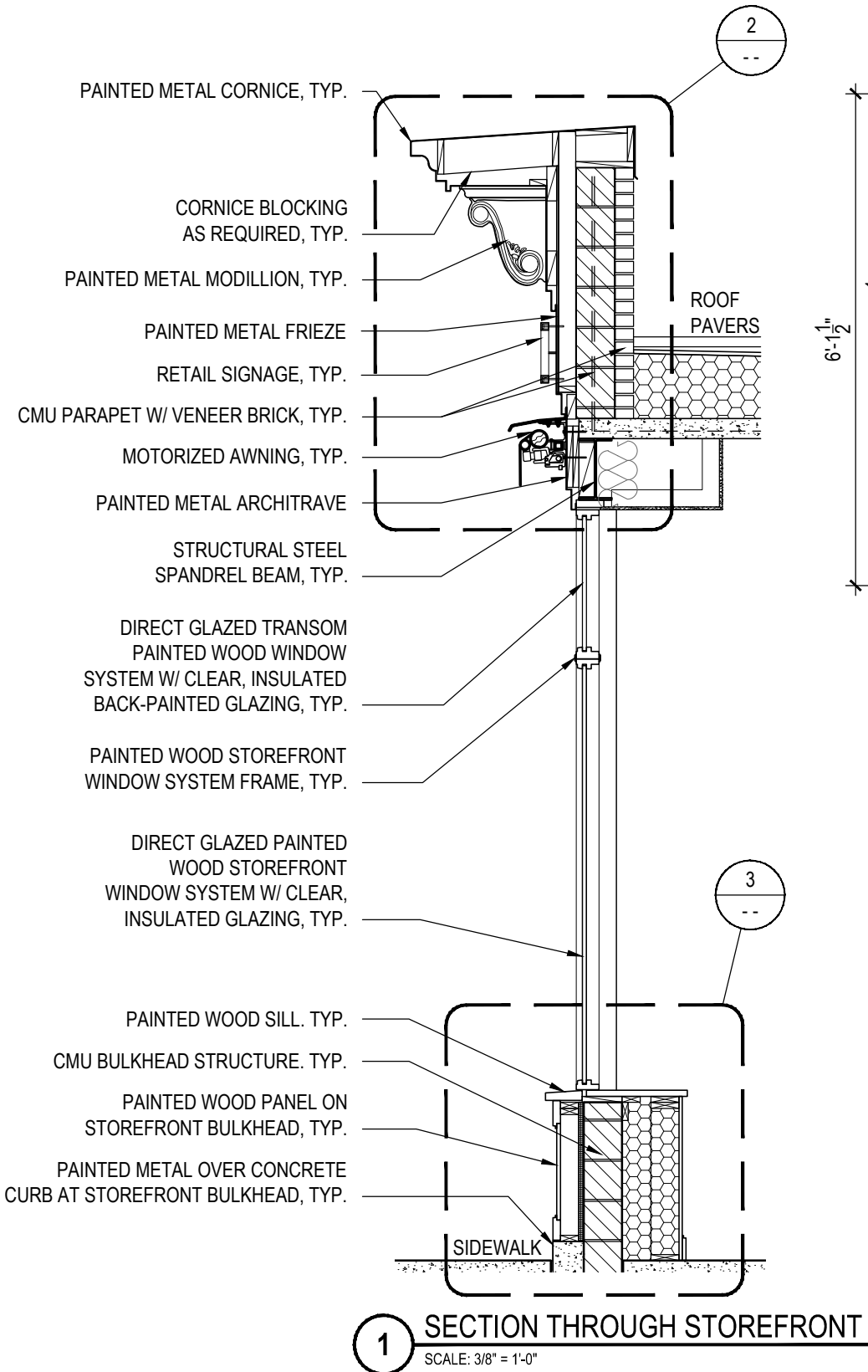


PROBE PHOTOS



ENLARGED IMAGE OF PROPOSED SCONCE

PROSPECT PARK WEST ENTRANCE



SECTION & DETAILS



2018 PHOTO RENDER