

## **Appendix S.5                      Transportation – Pedestrian Analysis**

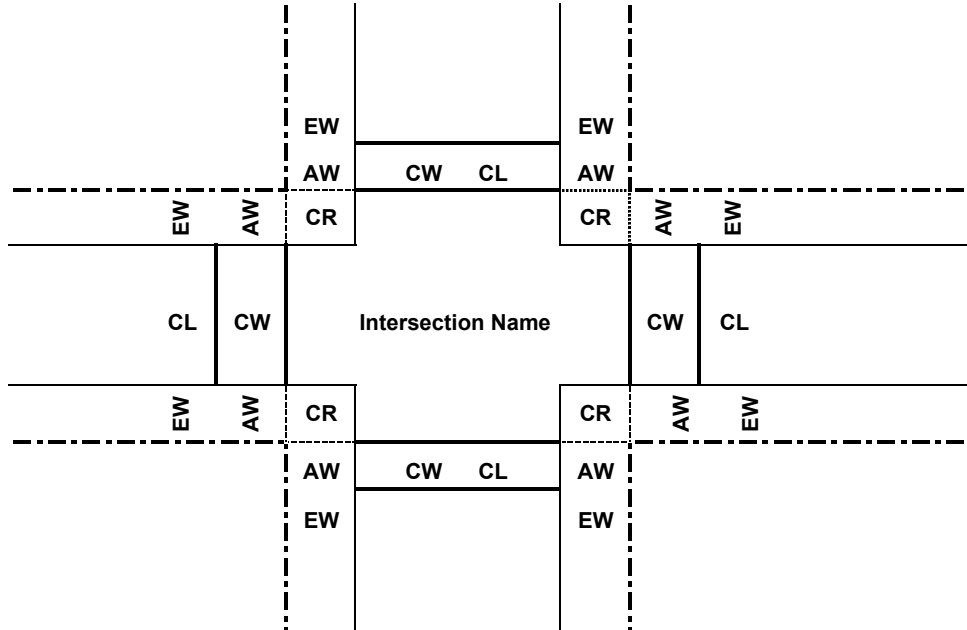
---

### **A. INTRODUCTION**

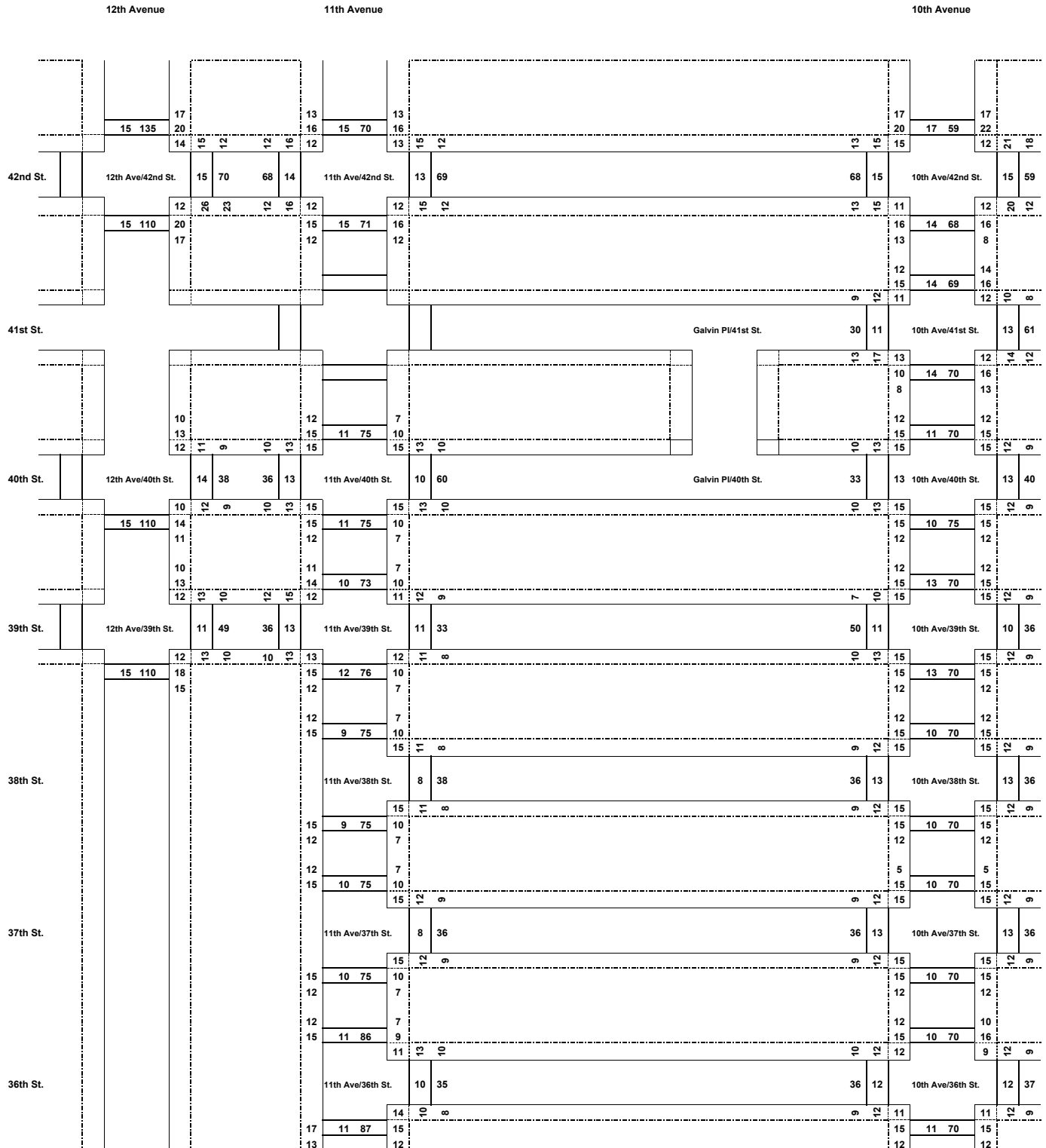
This appendix provides the technical backup documentation for analysis of on-street pedestrian elements, including sidewalks, corners, and intersection crosswalks. Included are intersection geometry data (sidewalk width, effective sidewalk width, crosswalk width, crosswalk length, and corner radius), pedestrian volumes, and pedestrian levels of service (LOS) summary tables.

1. Pedestrian Geometry Data
2. Pedestrian Volume Tables
3. Pedestrian Analysis – Sidewalk LOS Tables
4. Pedestrian Analysis – Corner LOS Tables
5. Pedestrian Analysis – Crosswalk LOS Tables

**Intersection Geometry Data for Pedestrian Analyses  
Sample Sheet**



- AW - Actual Sidewalk Width**
- EW - Effective Sidewalk Width**
- CW - Crosswalk Width**
- CL - Crosswalk Length**
- CR - Corner Radius**

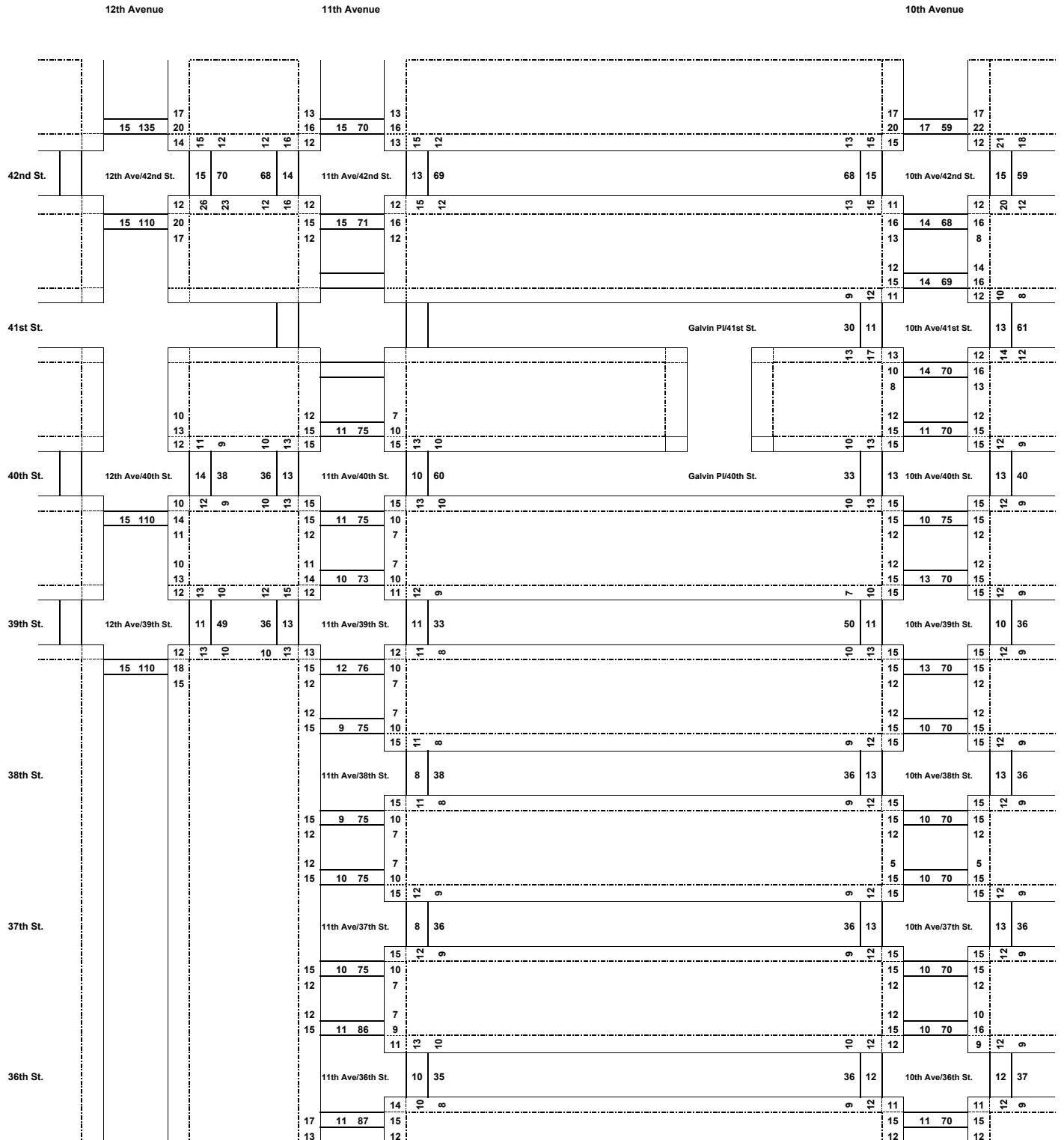


**PEDESTRIAN GEOMETRY DATA  
EXISTING CONDITION  
Figure S.5-1.2**

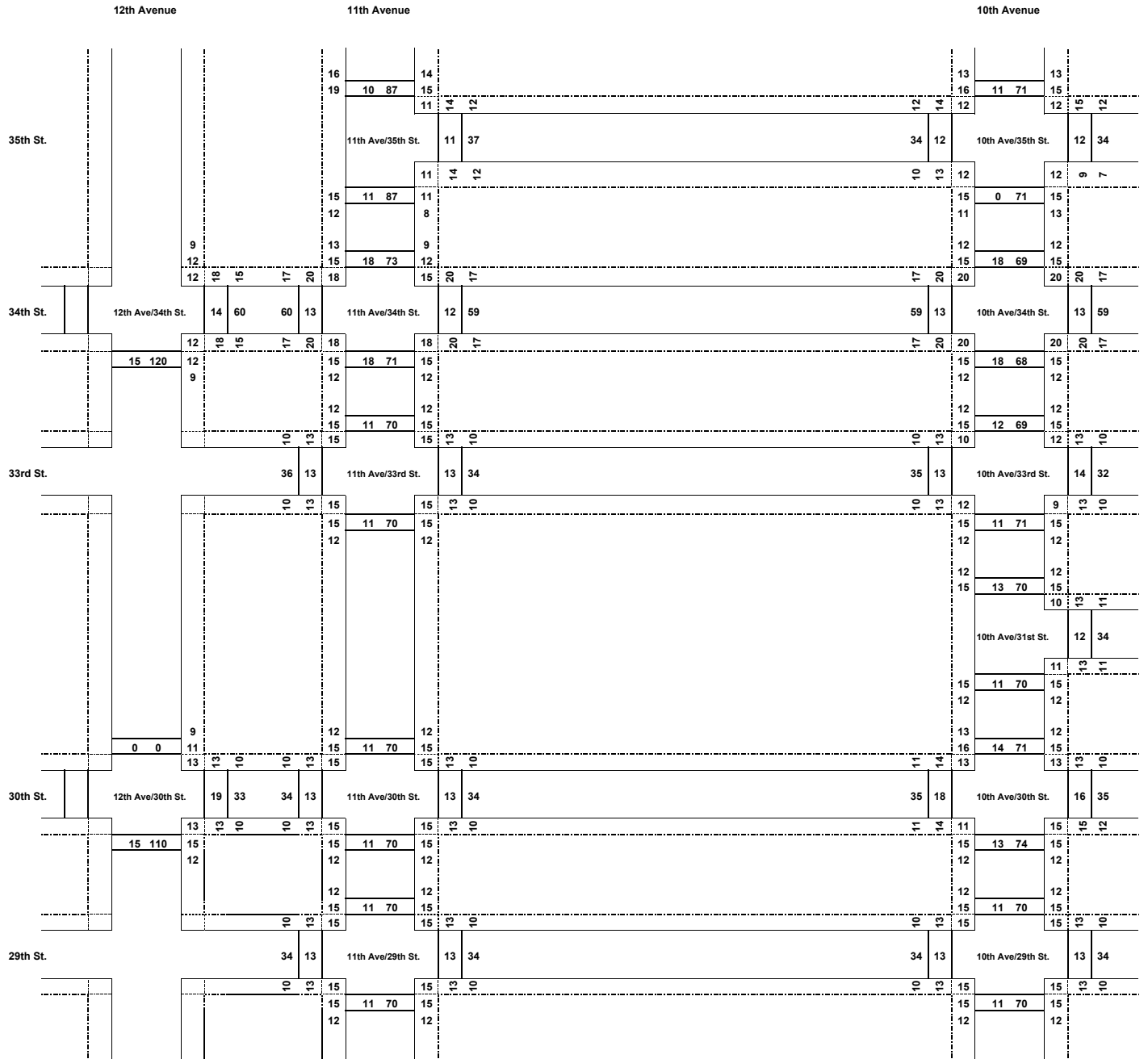








**PEDESTRIAN GEOMETRY DATA  
 FUTURE WITHOUT THE PROPOSED ACTION CONDITION  
 Figure S.5-1.6**



**PEDESTRIAN GEOMETRY DATA  
 FUTURE WITHOUT THE PROPOSED ACTION CONDITION  
 Figure S.5-1.7**

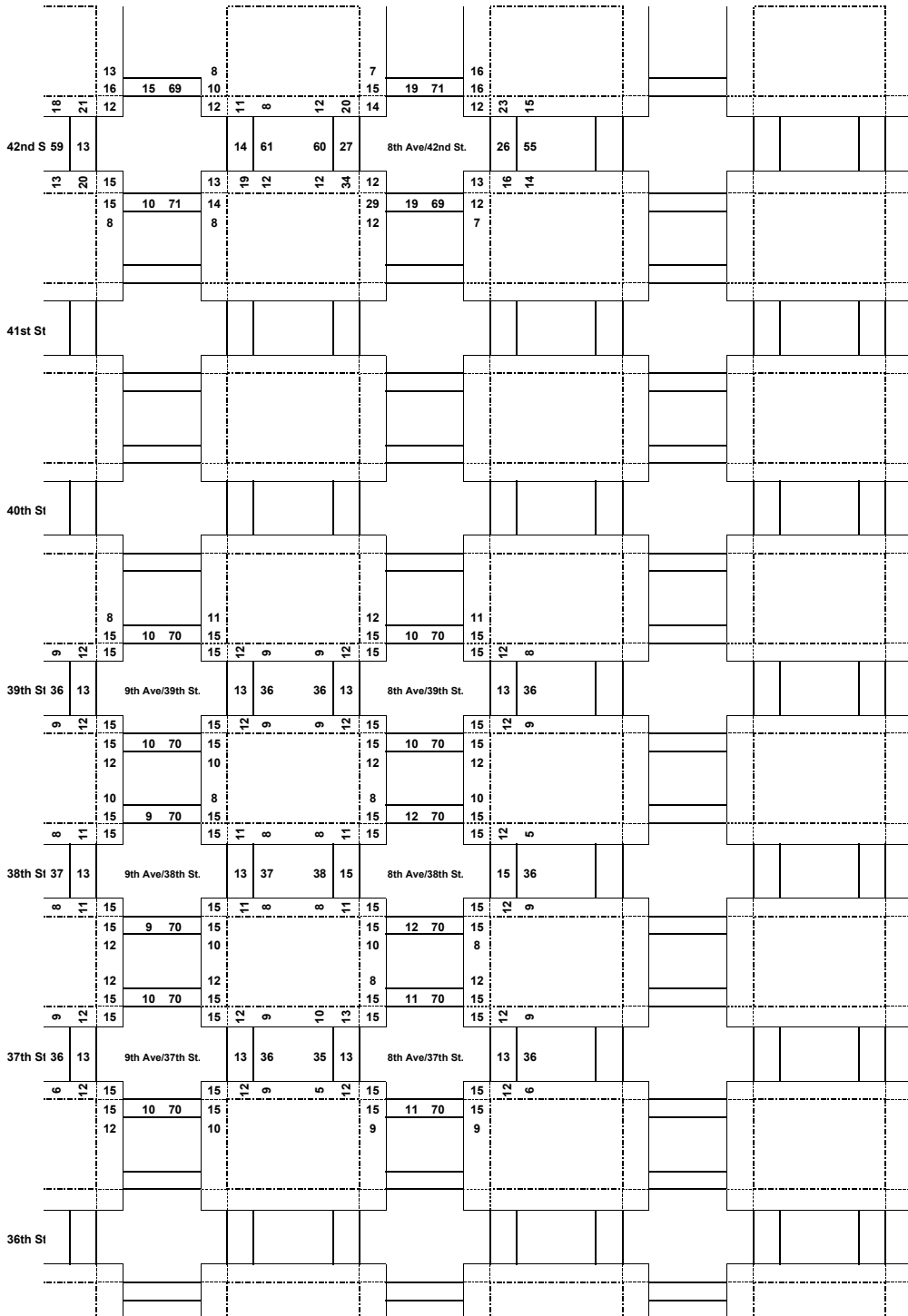


9th Avenue

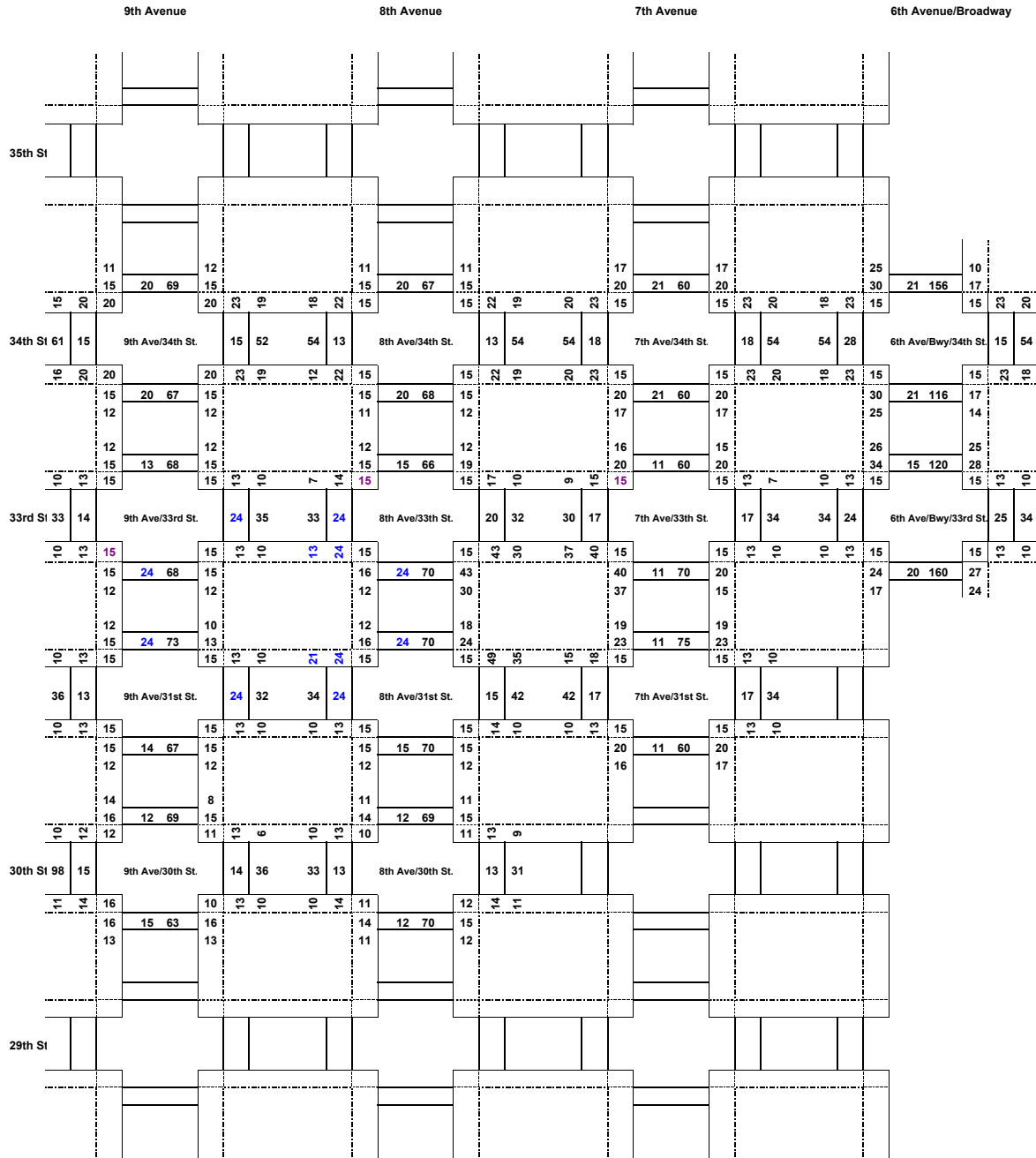
8th Avenue

7th Avenue

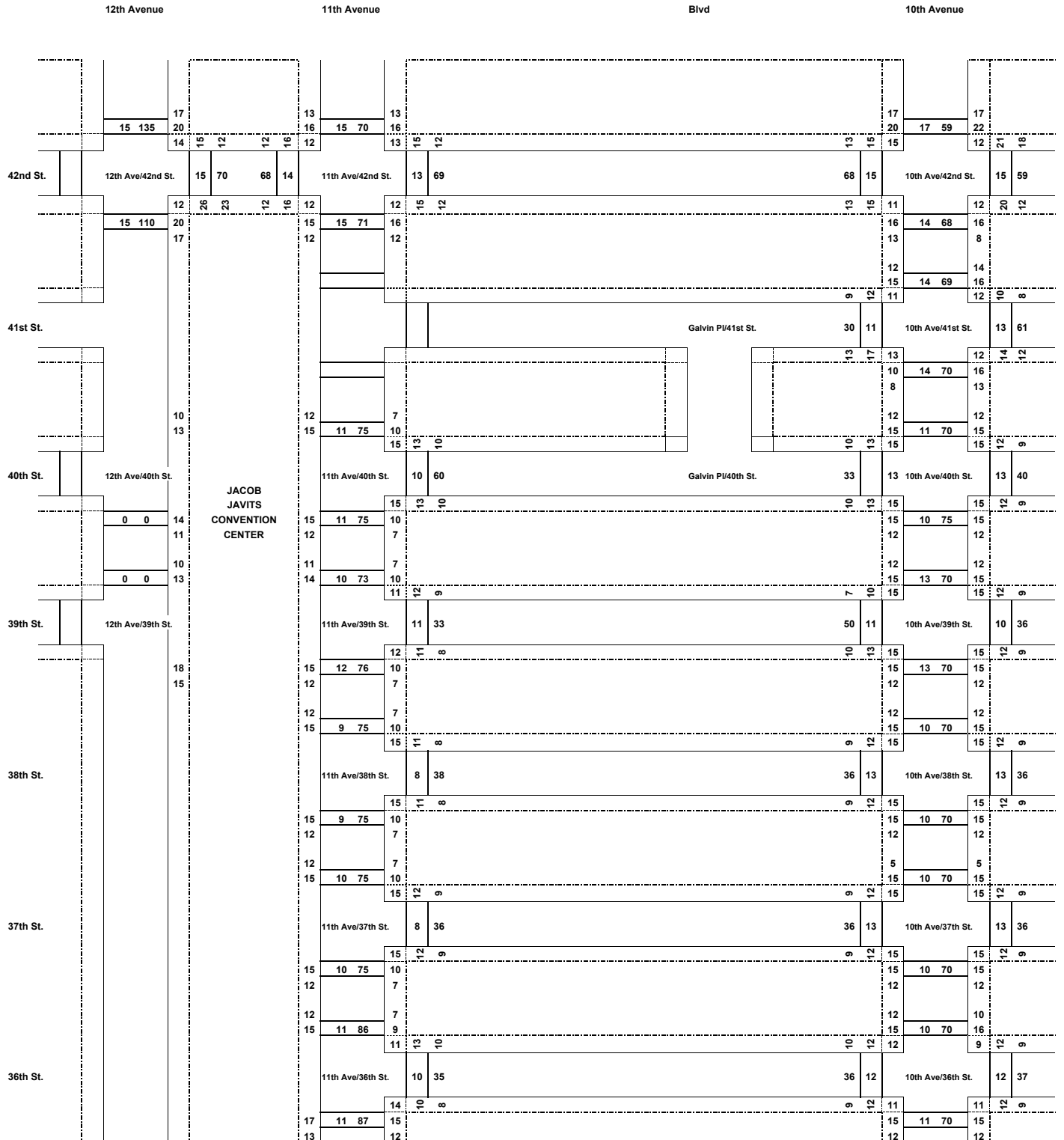
6th Avenue/Broadway



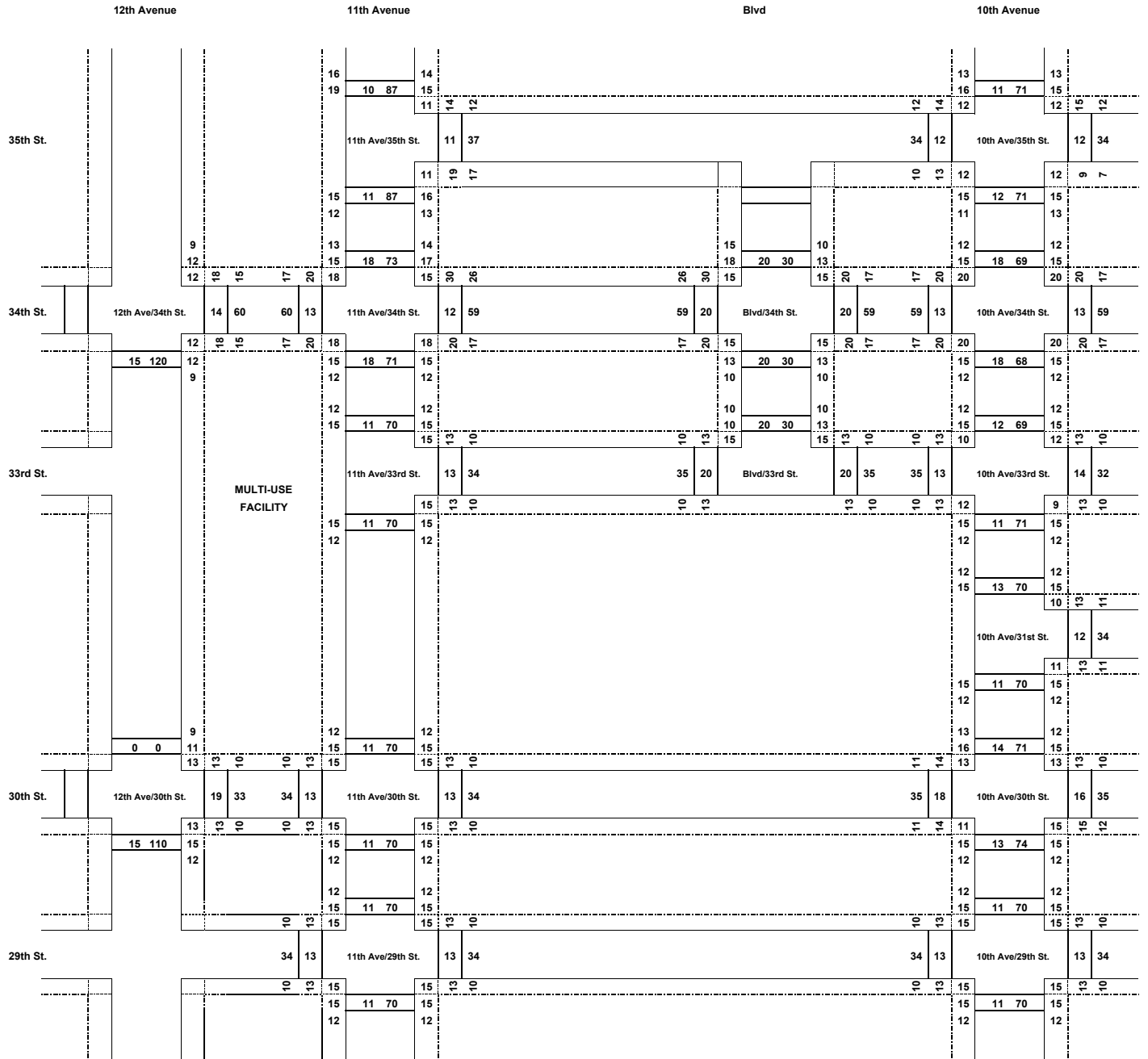
**PEDESTRIAN GEOMETRY DATA  
 FUTURE WITHOUT THE PROPOSED ACTION CONDITION  
 Figure S.5-1.8**



PEDESTRIAN GEOMETRY DATA  
 FUTURE WITHOUT THE PROPOSED ACTION CONDITION  
 Figure S.5-1.9



**PEDESTRIAN GEOMETRY DATA**  
**2010 FUTURE WITH THE PROPOSED ACTION CONDITION**  
**Figure S.5-1.10**



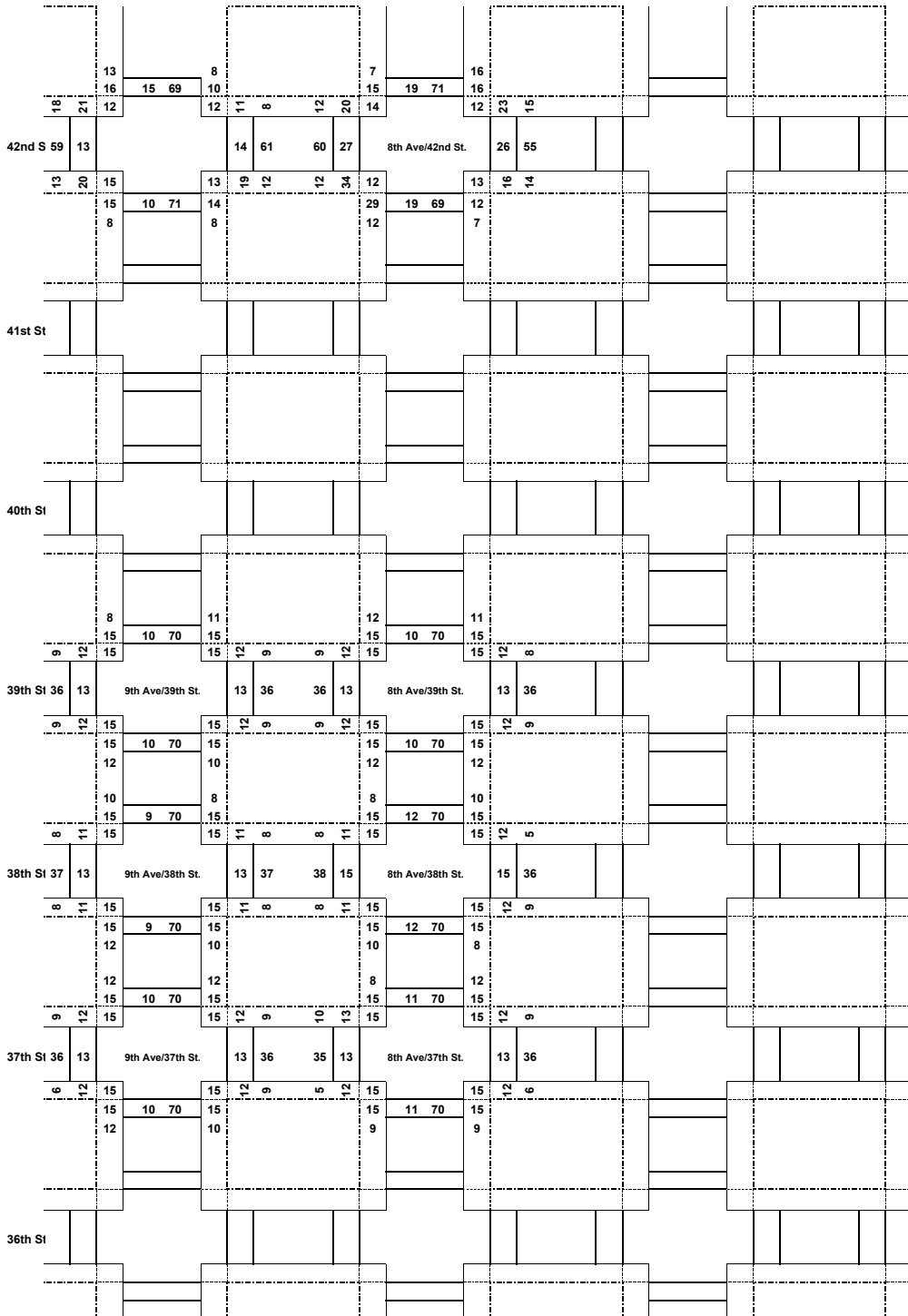
**PEDESTRIAN GEOMETRY DATA**  
**2010 FUTURE WITH THE PROPOSED ACTION CONDITION**  
**Figure S.5-1.11**

9th Avenue

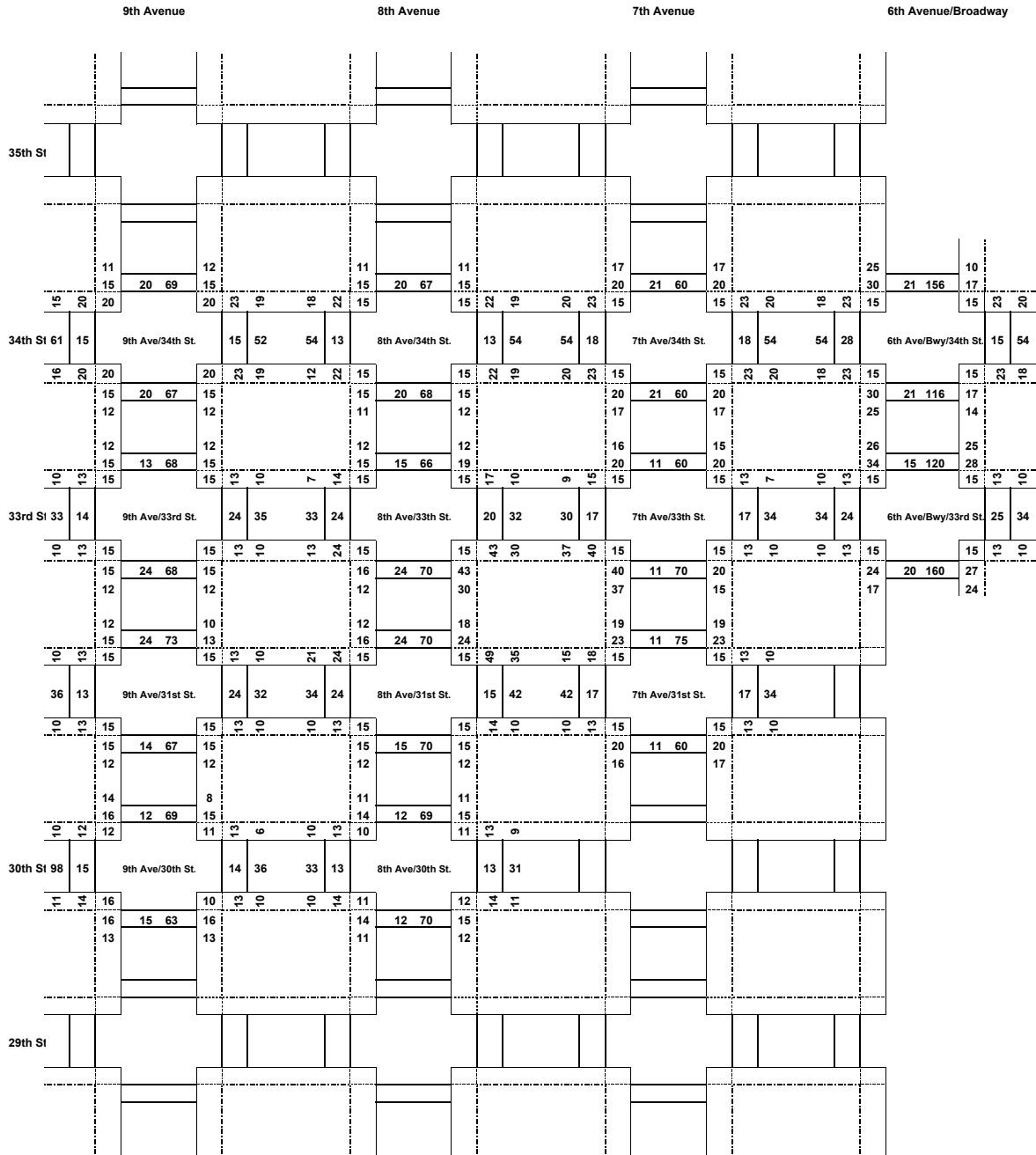
8th Avenue

7th Avenue

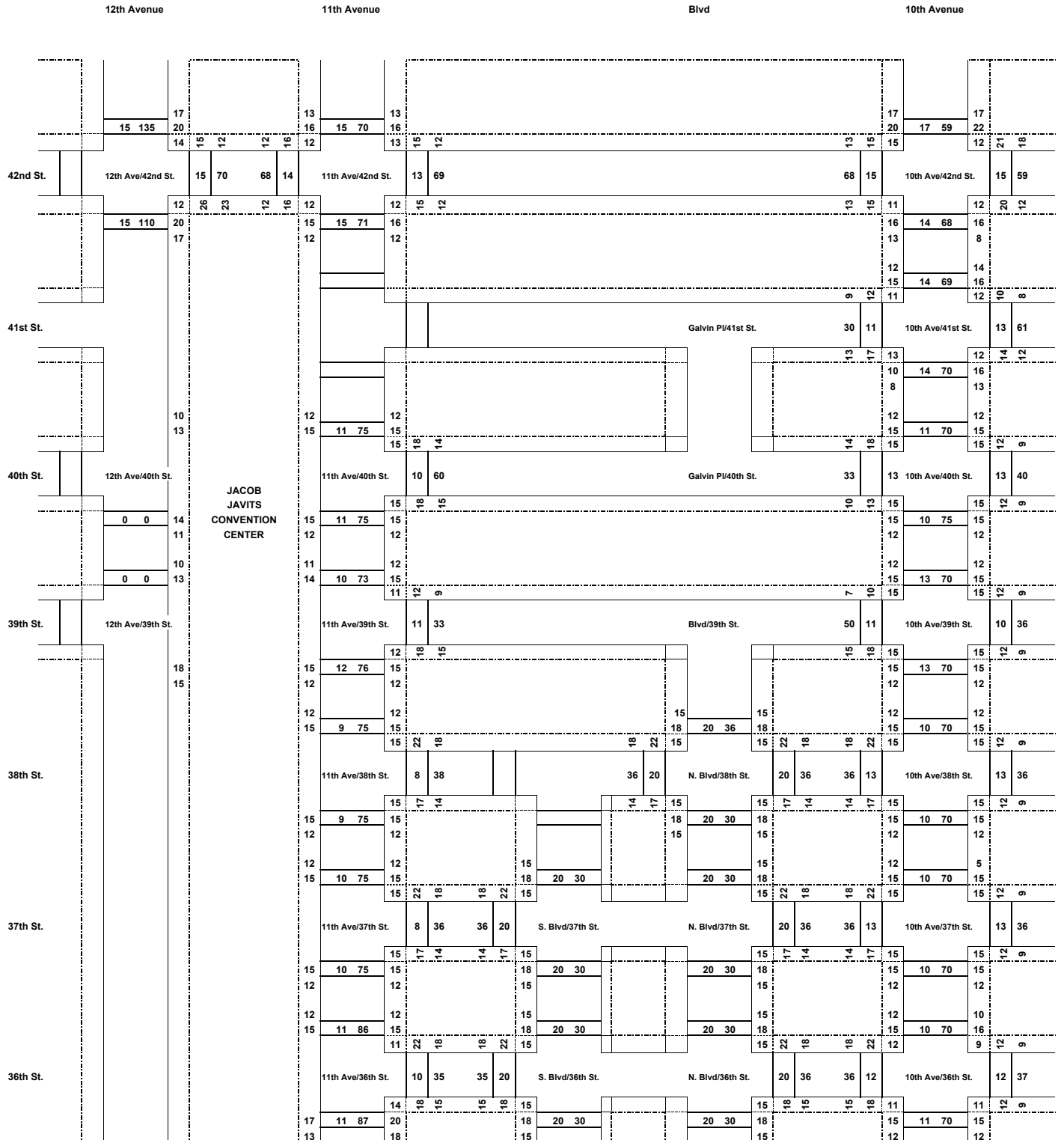
6th Avenue/Broadway



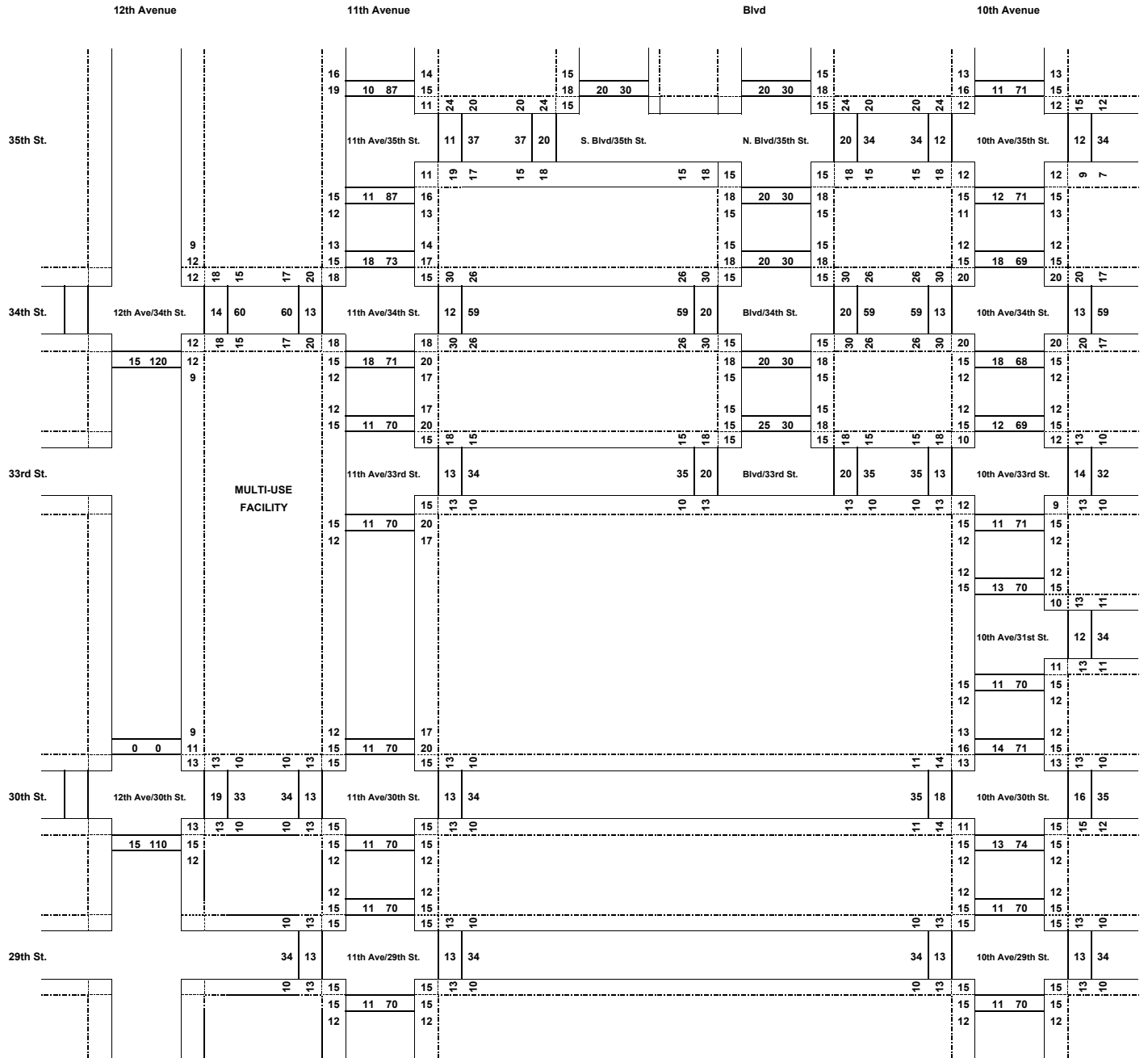
**PEDESTRIAN GEOMETRY DATA**  
**2010 FUTURE WITH THE PROPOSED ACTION CONDITION**  
 Figure S.5-1.12



**PEDESTRIAN GEOMETRY DATA**  
**2010 FUTURE WITH THE PROPOSED ACTION CONDITION**  
 Figure S.5-1.13



**PEDESTRIAN GEOMETRY DATA**  
**2025 FUTURE WITH THE PROPOSED ACTION CONDITION**  
**Figure S.5-1.14**



**PEDESTRIAN GEOMETRY DATA**  
**2025 FUTURE WITH THE PROPOSED ACTION CONDITION**  
**Figure S.5-1.15**

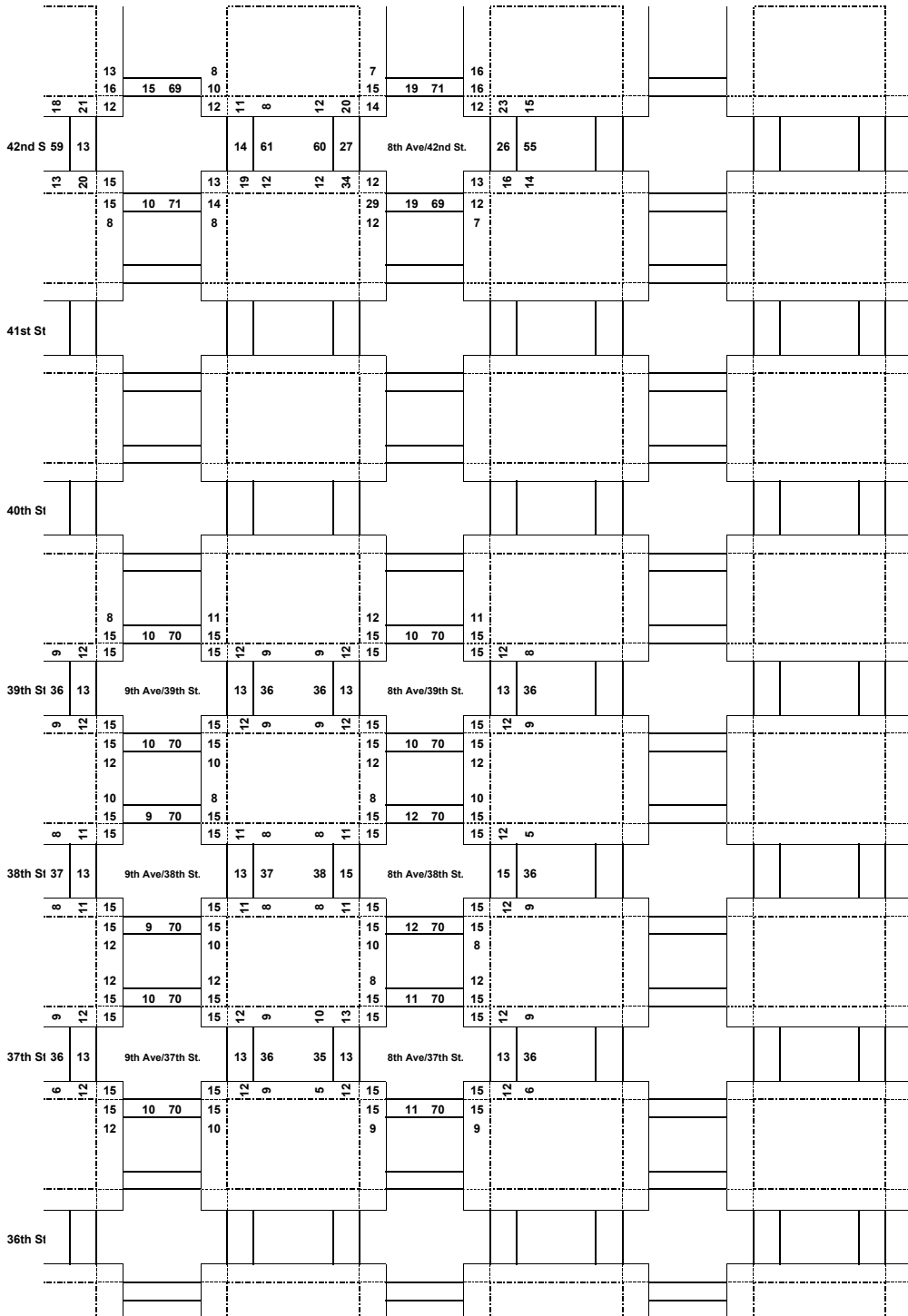


9th Avenue

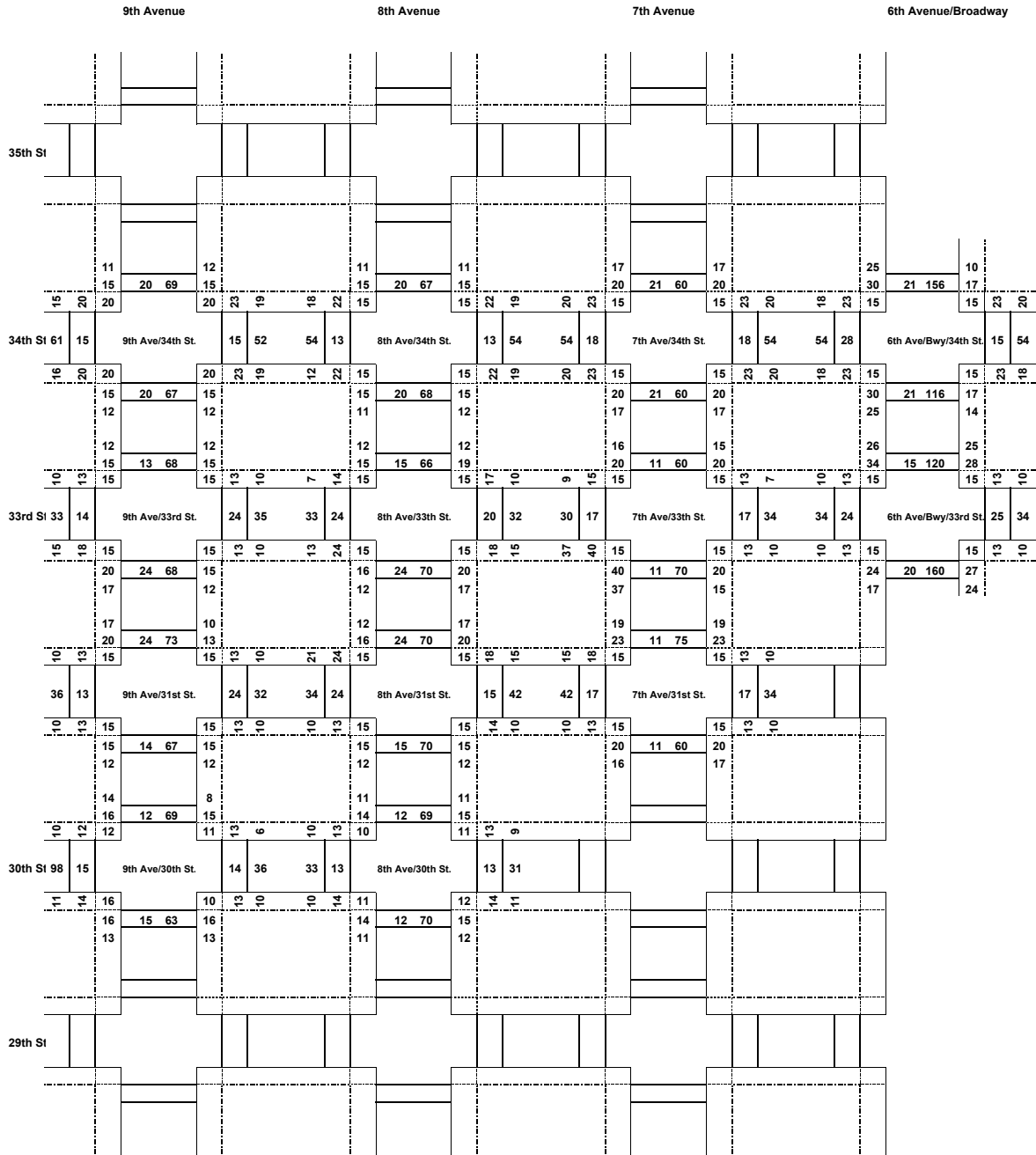
8th Avenue

7th Avenue

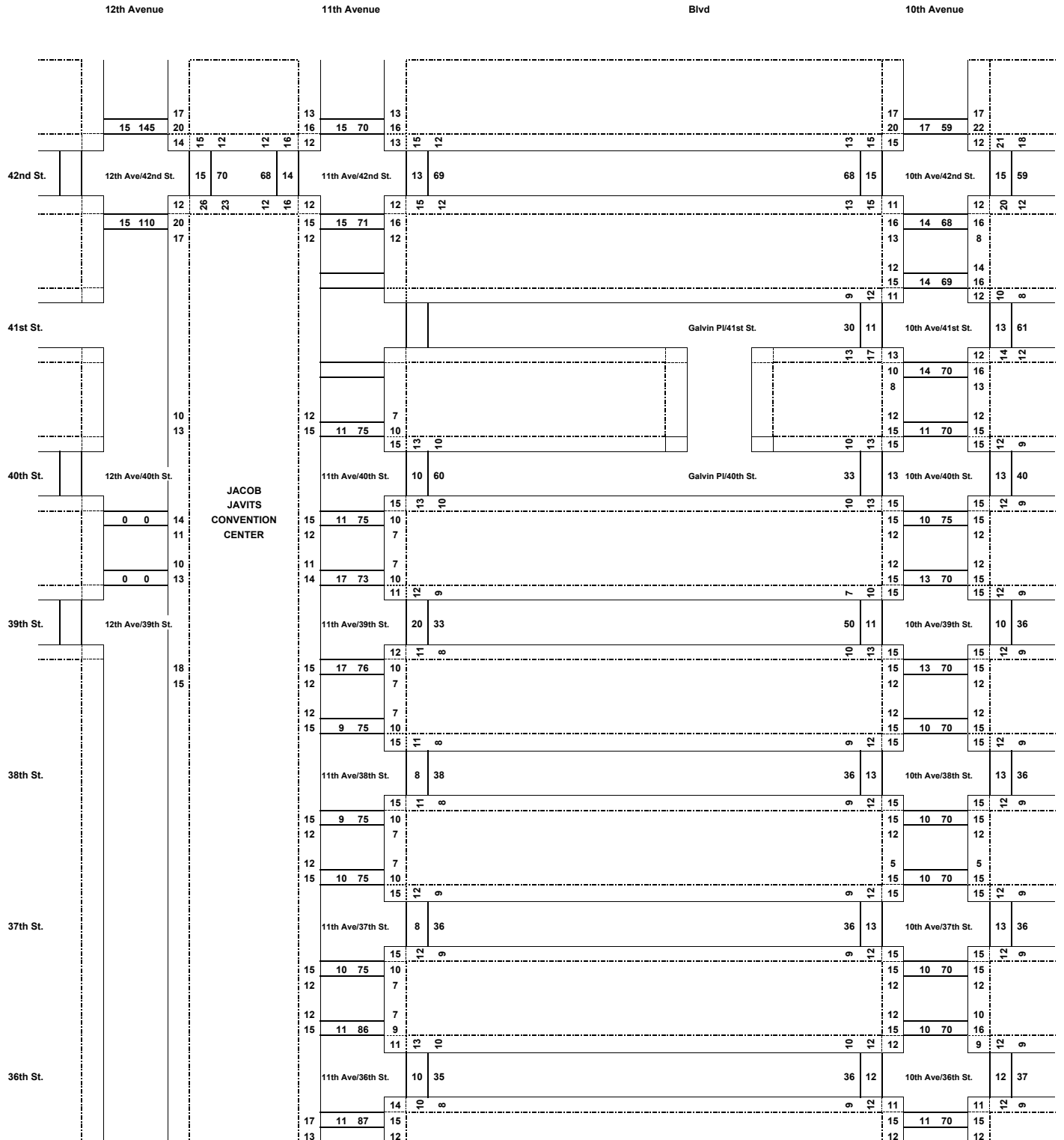
6th Avenue/Broadway



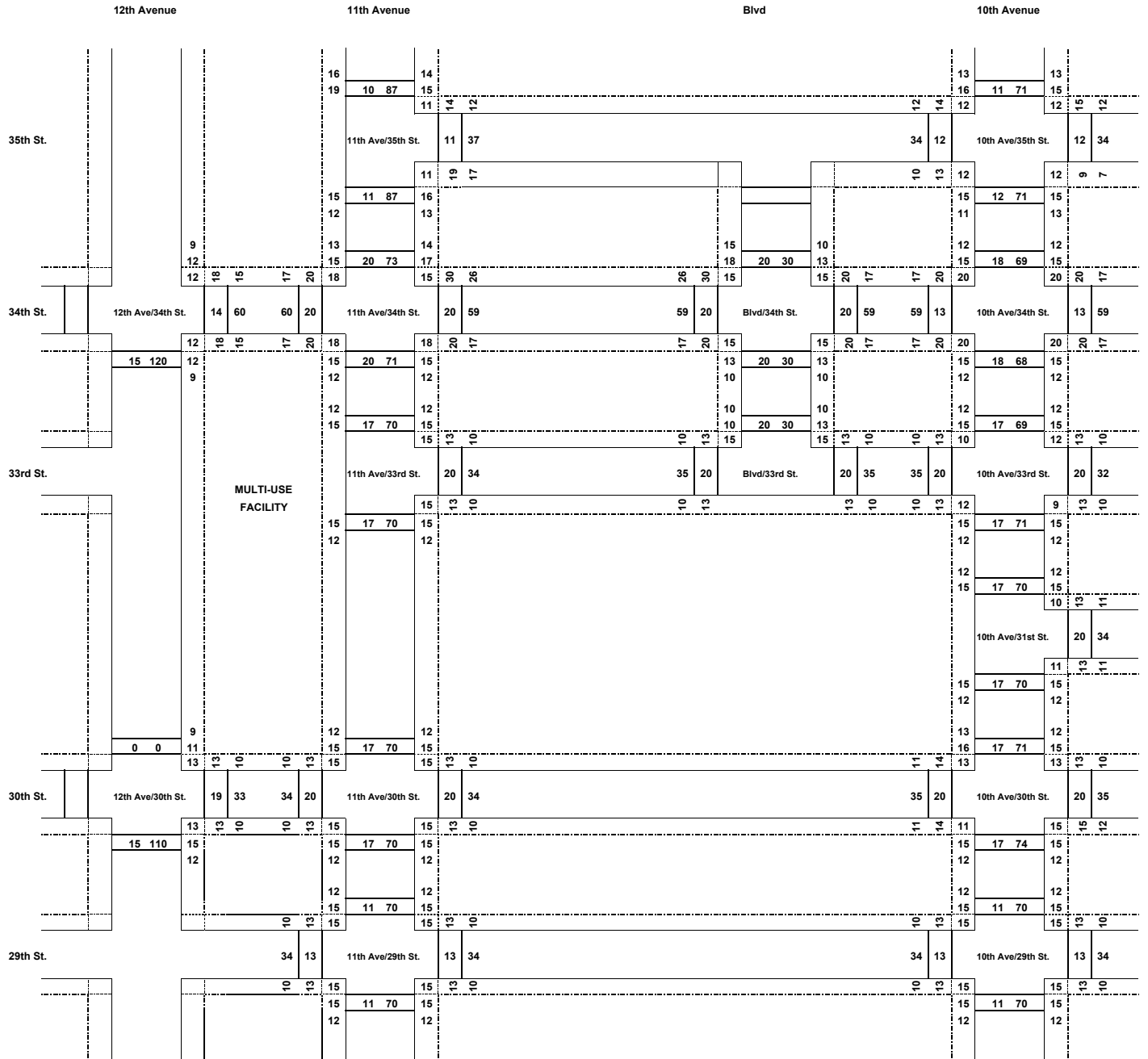
**PEDESTRIAN GEOMETRY DATA**  
**2025 FUTURE WITH THE PROPOSED ACTION CONDITION**  
 Figure S.5-1.16



**PEDESTRIAN GEOMETRY DATA**  
**2025 FUTURE WITH THE PROPOSED ACTION CONDITION**  
 Figure S.5-1.17



**PEDESTRIAN GEOMETRY DATA**  
**2010 FUTURE WITH THE PROPOSED ACTION CONDITION (WITH IMPROVEMENT)**  
**Figure S.5-1.18**



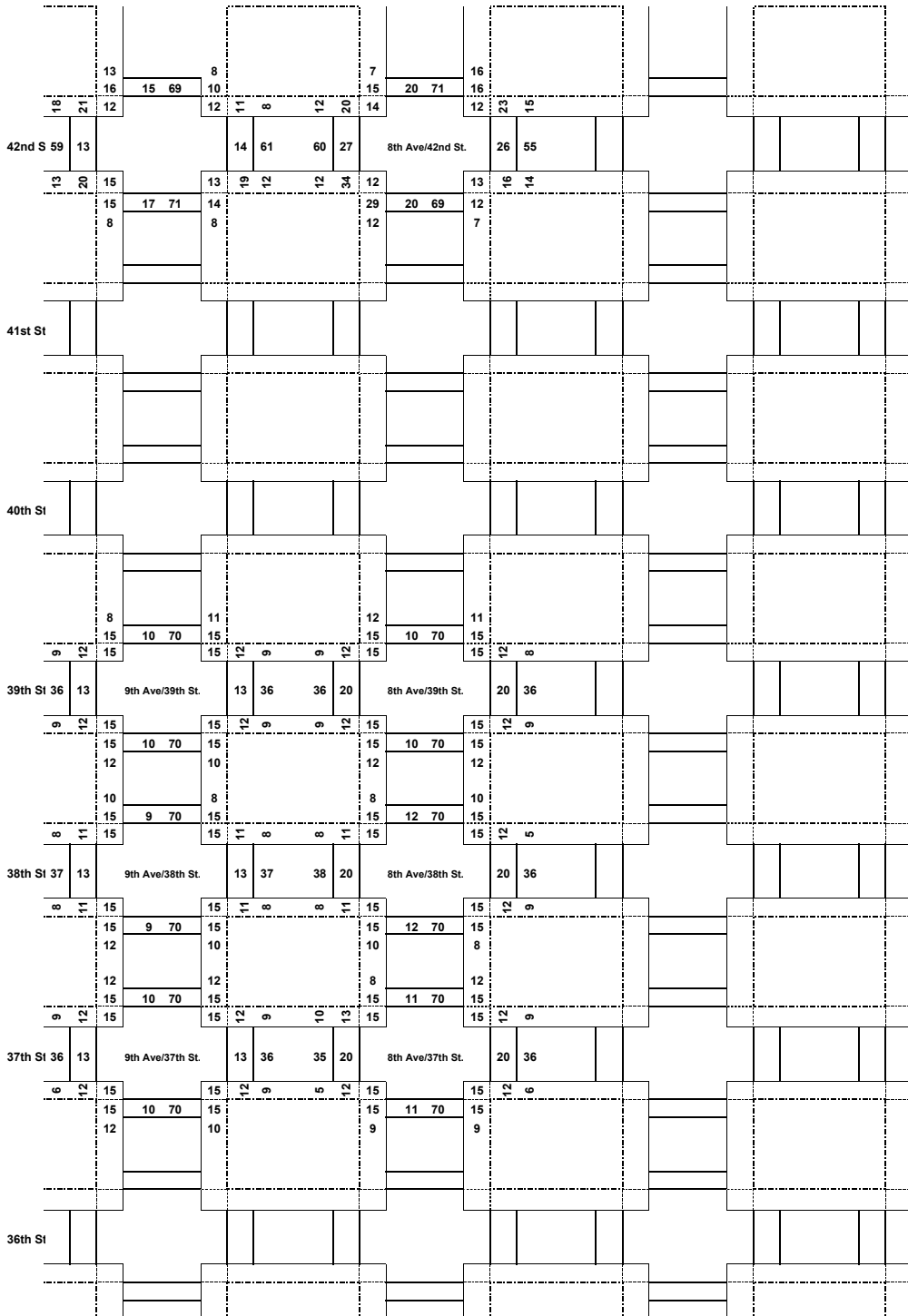
**PEDESTRIAN GEOMETRY DATA**  
**2010 FUTURE WITH THE PROPOSED ACTION CONDITION (WITH IMPROVEMENT)**  
 Figure S.5-1.19

9th Avenue

8th Avenue

7th Avenue

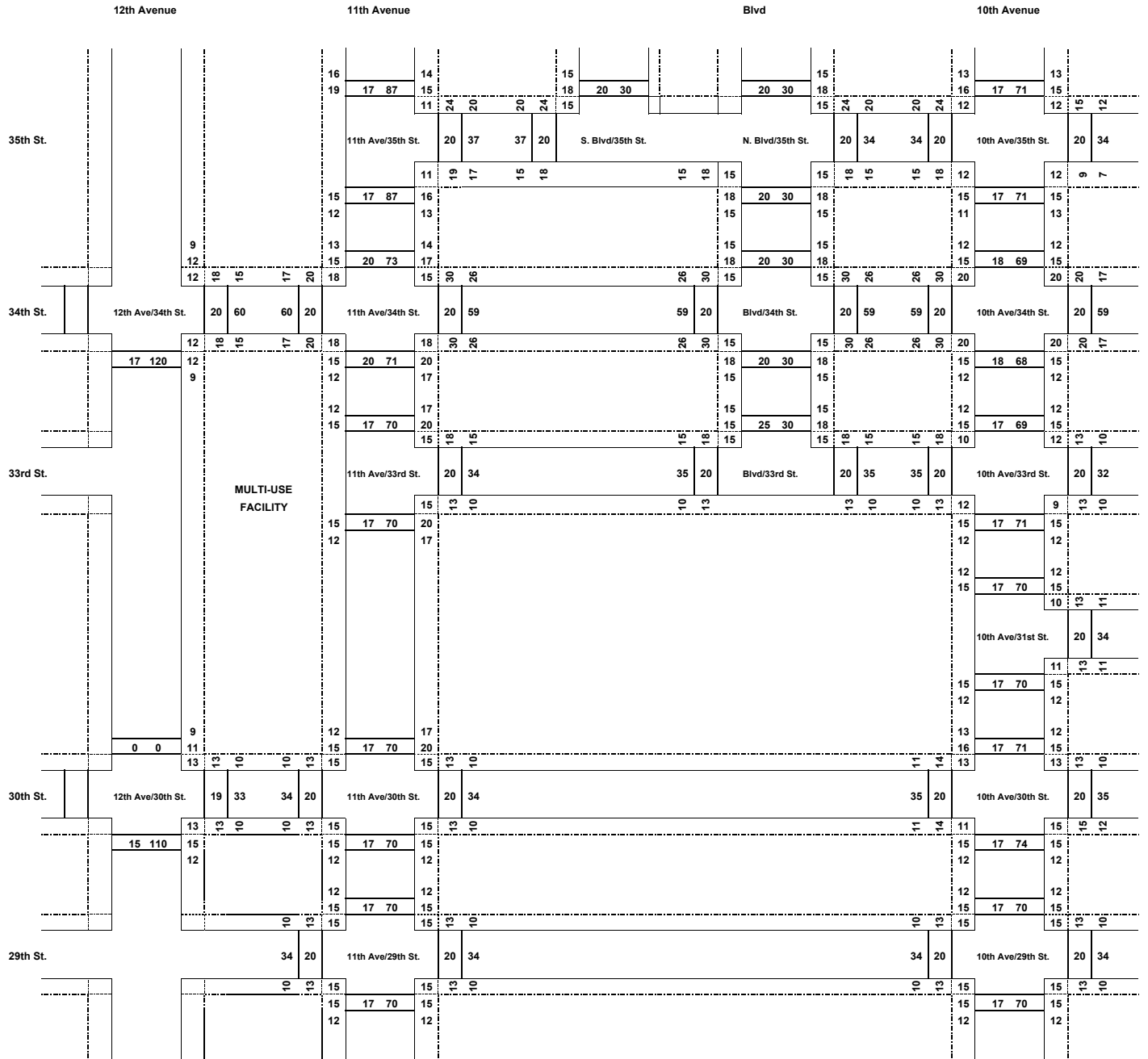
6th Avenue/Broadway



**PEDESTRIAN GEOMETRY DATA**  
**2010 FUTURE WITH THE PROPOSED ACTION CONDITION (WITH IMPROVEMENT)**  
 Figure S.5-1.20

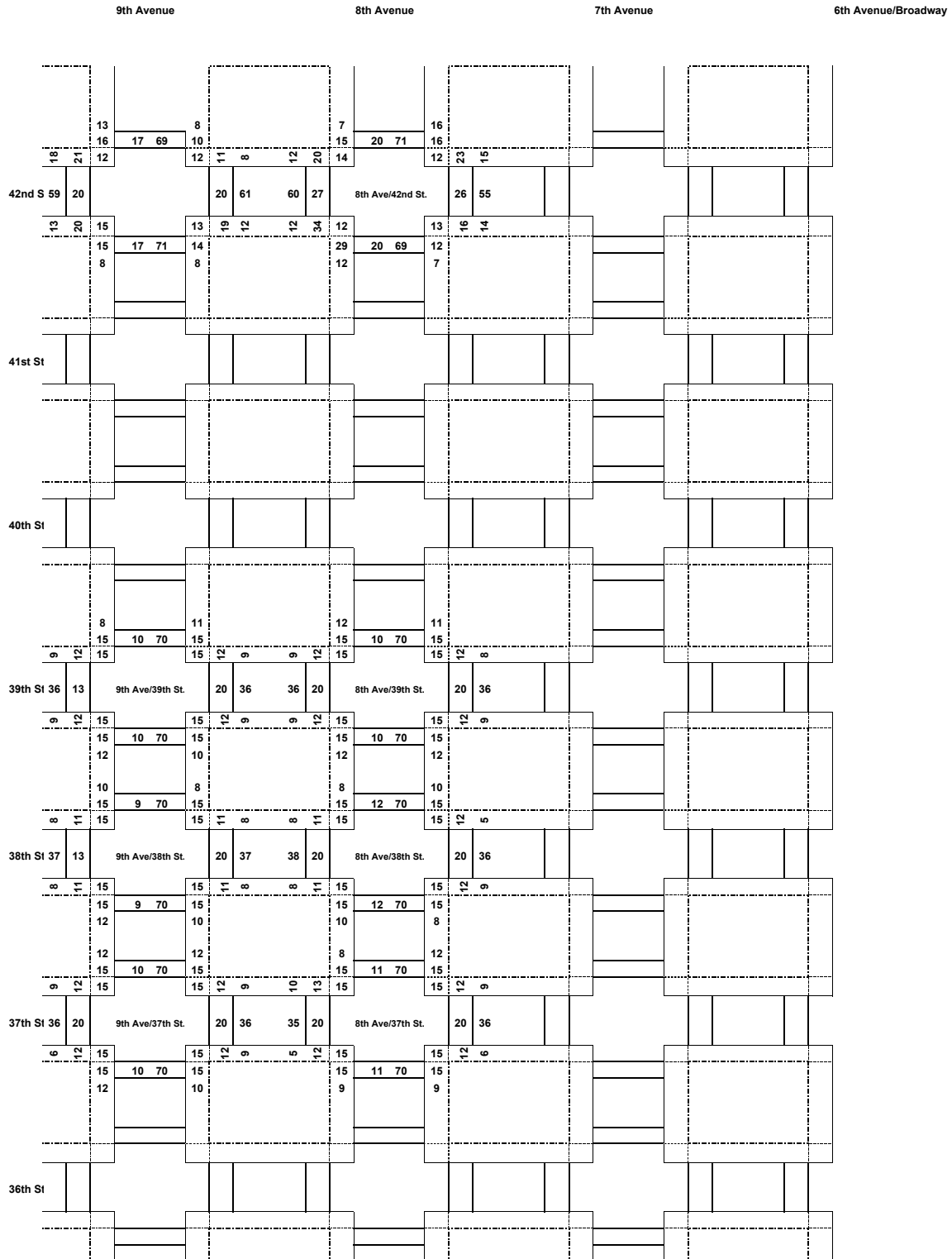






**PEDESTRIAN GEOMETRY DATA**  
**2025 FUTURE WITH THE PROPOSED ACTION CONDITION (WITH IMPROVEMENT)**  
 Figure S.5-1.23



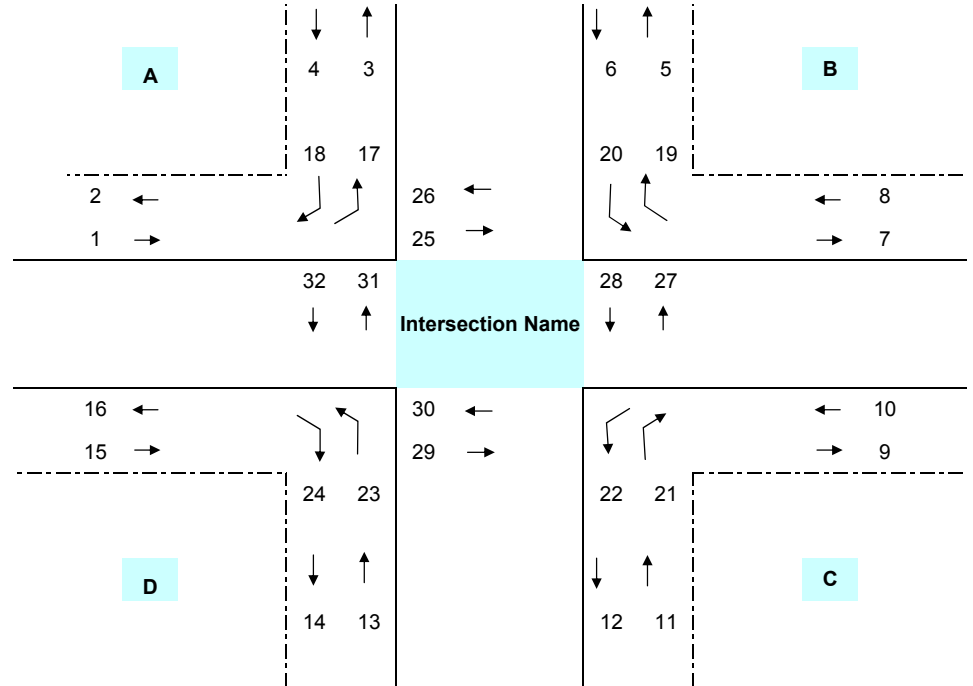


**PEDESTRIAN GEOMETRY DATA**  
**2025 FUTURE WITH THE PROPOSED ACTION CONDITION (WITH IMPROVEMENT)**  
 Figure S.5-1.24



**Appendix S.5.2  
PEDESTRIAN MOVEMENTS**

Intersection	Elements	Movements			
		1	2	3	4
<i>Intersection Name</i>	Sidewalk A	1	2	3	4
	Sidewalk B	5	6	7	8
	Sidewalk C	9	10	11	12
	Sidewalk D	13	14	15	16
	Corner A & B	17	18	19	20
	Corner C & D	21	22	23	24
	Crosswalk (A-B-C)	25	26	27	28
	Crosswalk (C-D-A)	29	30	31	32



**Appendix S.5.2**  
**PEDESTRIAN VOLUMES (SIDEWALKS, CORNERS, AND CROSSWALKS)**  
**2003 EXISTING CONDITIONS**

Intersection	Elements	Weekday		Weekday		Weekday		Special Events		Special Events											
		AM	PM	MD	PM	Evening	Sunday	AM	PM	Sunday	PM										
Rt 9A & West 30th St	Sidewalk A	0	0	21	38	0	0	12	19	0	0	32	17	0	0	16	13	0	0	19	25
	Sidewalk B	0	0	0	0	2	0	0	0	0	6	1	1	4	5	4	3	0	7	2	1
	Sidewalk C	2	0	2	2	1	0	1	1	1	2	1	1	0	0	1	2	1	1	0	0
	Sidewalk D	19	25	0	0	13	19	0	0	30	17	0	0	16	14	0	0	19	25	0	0
	Corner A & B	0	0	0	0	0	0	0	0	0	0	4	0	0	0	4	2	0	0	1	0
	Corner C & D	0	0	0	0	0	0	0	0	0	0	0	0	0	0	0	0	0	0	0	0
	Crosswalk (A-B-C)	0	0	0	0	0	0	1	2	0	0	0	4	0	0	2	1	0	1	0	6
	Crosswalk (C-D-A)	5	2	23	35	1	1	14	30	2	1	27	30	0	0	23	14	0	2	19	23
Rt 9A & West 34th St	Sidewalk A	1	1	0	4	0	0	3	4	0	0	0	3	0	0	0	0	0	0	14	18
	Sidewalk B	0	0	0	5	0	3	1	6	0	1	0	4	1	0	0	2	6	3	3	0
	Sidewalk C	1	3	0	0	1	0	2	0	1	6	0	0	1	2	1	0	0	1	5	0
	Sidewalk D	9	1	0	0	2	3	2	0	2	0	0	0	0	0	0	0	15	18	0	0
	Corner A & B	3	0	3	0	7	7	7	7	3	13	3	13	0	0	0	4	0	0	3	0
	Corner C & D	3	0	3	0	4	3	4	3	2	9	2	8	0	0	0	0	0	0	0	0
	Crosswalk (A-B-C)	0	3	0	0	0	0	2	0	0	0	6	0	0	0	1	0	0	0	5	0
	Crosswalk (C-D-A)	5	1	0	4	3	0	3	4	2	0	0	3	0	0	9	14	1	1	13	13
Rt 9A & West 39th St	Sidewalk A	0	0	0	0	0	0	0	0	0	0	0	0								
	Sidewalk B	0	0	0	0	7	4	0	0	3	0	0	0								
	Sidewalk C	0	1	1	2	10	13	9	4	2	6	4	0								
	Sidewalk D	0	0	0	0	0	11	0	0	0	2	0	0								
	Corner A & B	1	2	0	0	0	0	0	0	0	0	0	0								
	Corner C & D	0	0	0	0	0	0	0	0	0	2	0	0								
	Crosswalk (A-B-C)	2	0	0	0	0	0	6	3	0	0	3	0								
	Crosswalk (C-D-A)	8	7	32	42	2	2	29	15	2	6	39	28								
Rt 9A & West 40th St	Sidewalk A	0	0	0	0	0	1	1	0	1	3	0	0								
	Sidewalk B	0	0	0	0	3	0	0	2	2	3	1	2								
	Sidewalk C	0	0	0	0	0	1	2	0	0	0	1	0								
	Sidewalk D	0	0	0	0	0	0	0	0	0	0	0	0								
	Corner A & B	0	0	0	0	0	0	0	1	0	0	0	1								
	Corner C & D	0	0	0	0	1	0	0	0	0	0	0	0								
	Crosswalk (A-B-C)	0	0	2	0	0	0	1	4	0	0	1	0								
	Crosswalk (C-D-A)	0	2	25	45	0	1	19	17	1	2	42	35								
Rt 9A & West 42nd St	Sidewalk A	2	0	3	0	2	6	0	0	27	0	0	0								
	Sidewalk B	4	10	4	10	8	15	7	10	3	23	19	3								
	Sidewalk C	10	19	1	4	6	6	6	2	25	5	9	7								
	Sidewalk D	2	3	0	3	0	0	2	2	0	7	1	0								
	Corner A & B	0	0	4	5	3	0	12	4	22	0	5	0								
	Corner C & D	4	0	0	0	0	1	0	0	2	4	0	0								
	Crosswalk (A-B-C)	2	7	2	6	2	7	8	3	18	4	1	21								
	Crosswalk (C-D-A)	5	13	31	44	2	3	34	34	2	4	14	15								
Eleventh Ave & West 29th	Sidewalk A	0	0	1	1	2	1	0	3	0	4	5	9								
	Sidewalk B	1	0	1	3	3	3	2	5	2	3	0	1								
	Sidewalk C	3	5	8	5	3	3	12	8	3	2	5	8								
	Sidewalk D	0	0	0	0	4	1	0	0	3	8	5	2								
	Corner A & B	0	0	0	0	0	0	2	1	0	1	0	0								
	Corner C & D	0	4	0	0	3	4	0	0	2	3	1	0								
	Crosswalk (A-B-C)	1	2	1	0	0	1	4	4	0	0	2	4								
	Crosswalk (C-D-A)	0	0	1	2	2	1	2	4	2	0	5	7								
Eleventh Ave & West 30th	Sidewalk A	2	0	1	1	10	5	1	10	2	6	5	5	0	0	0	1	0	0	1	1
	Sidewalk B	1	0	1	0	5	2	1	4	5	2	0	0	3	3	4	0	0	0	1	1
	Sidewalk C	3	0	2	0	0	1	7	3	1	0	15	1	2	0	0	0	0	2	0	3
	Sidewalk D	0	3	1	0	3	2	3	2	5	7	5	0	0	0	0	1	0	2	2	0
	Corner A & B	0	5	0	3	17	14	14	11	4	13	2	8	0	0	3	0	0	0	0	0
	Corner C & D	0	3	0	4	14	9	14	9	2	8	2	8	0	0	0	0	2	0	0	0
	Crosswalk (A-B-C)	1	0	1	0	3	6	5	4	0	0	8	3	0	0	1	1	1	0	0	1
	Crosswalk (C-D-A)	0	0	2	0	2	1	0	10	0	0	5	1	2	1	0	1	2	1	0	1
Eleventh Ave & West 33rd	Sidewalk A	0	1	1	8	2	0	3	2	0	0	1	3	0	0	1	2	0	1	0	2
	Sidewalk B	2	2	1	0	10	1	1	9	7	4	3	8	13	1	2	11	0	1	1	2
	Sidewalk C	2	0	2	2	0	2	3	3	2	1	7	1	2	0	0	3	2	0	2	0
	Sidewalk D	2	4	1	4	1	2	0	0	0	3	1	0	3	3	0	1	0	1	0	2
	Corner A & B	0	0	0	2	1	0	0	2	0	0	3	4	0	0	2	7	0	0	1	0
	Corner C & D	0	0	0	0	1	0	0	0	0	1	0	0	0	0	1	0	0	2	0	0
	Crosswalk (A-B-C)	0	0	2	2	1	2	2	2	0	0	5	1	0	0	0	2	0	1	1	0
	Crosswalk (C-D-A)	2	0	2	8	0	2	0	2	1	1	1	3	0	0	1	1	1	1	1	2
Eleventh Ave & West 34th	Sidewalk A	4	13	2	3	5	19	1	5	4	6	2	3	11	5	2	1	9	5	8	15
	Sidewalk B	2	0	7	3	3	3	20	8	4	5	12	6	3	6	1	4	3	5	11	28
	Sidewalk C	0	0	13	5	12	5	1	3	12	3	5	4	38	0	22	0	4	6	1	4
	Sidewalk D	0	0	6	3	3	4	14	3	5	1	6	5	2	1	2	3	1	1	1	1
	Corner A & B	1	2	0	0	0	2	1	2	0	0	2	2	2	0	1	0	1	0	2	3
	Corner C & D	0	0	0	0	1	0	1	1	0	2	1	0	0	23	3	2	1	0	0	0
	Crosswalk (A-B-C)	3	2	12	9	5	13	3	5	5	7	2	4	3	5	1	6	23	9	7	3
	Crosswalk (C-D-A)	4	5	1	2	14	3	2	4	9	3	3	2	8	1	0	6	8	5	2	3
Eleventh Ave & West 35th	Sidewalk A	0	0	4	3	0	0	4	6	0	0	5	6								
	Sidewalk B	4	1	0	0	1	2	1	0	0	3	2	0								
	Sidewalk C	2	0	0	0	1	8	1	2	0	0	1	0								
	Sidewalk D	4	3	0	0	4	4	0	0	4	4	0	0								
	Corner A & B	0	0	0	1	0	0	0	1	0	0	2	0								
	Corner C & D	0	1	0	0	0	0	0	0	0	0	0	0								
	Crosswalk (A-B-C)	0	1	2	1	1	5	1	2	1	2	1	2								
	Crosswalk (C-D-A)	0	0	4	3	2	2	4	5	0	1	4	6								
Eleventh Ave & West 36th	Sidewalk A	0	0	4	2	0	0	1	10	0	0	4	5								
	Sidewalk B	0	2	0	0	3	4	1	1	1	5	1	0								
	Sidewalk C	4	1	0	1	2	2	1	3	3	1	1	4								
	Sidewalk D	5	4	0	0	1	5	0	0	6	5	0	0								
	Corner A & B	0	0	1	0	0	0	1	0	0	0	1	0								
	Corner C & D	0	0	0	0	0	0	0	0	1	0	0	0								
	Crosswalk (A-B-C)	0	1	0																	

**Appendix S.5.2**  
**PEDESTRIAN VOLUMES (SIDEWALKS, CORNERS, AND CROSSWALKS)**  
**2003 EXISTING CONDITIONS**

Intersection	Elements	Weekday AM Peak 15-Min.				Weekday MD Peak 15-Min.				Weekday PM Peak 15-Min.				Special Events Evening Peak 15-Min.				Special Events Sunday Peak 15-Min.					
Eleventh Ave & West 37th	Sidewalk A	2	2	0	1	1	1	0	0	0	0	0	3										
	Sidewalk B	0	0	0	0	2	15	3	5	6	8	0	0										
	Sidewalk C	1	0	0	0	2	4	0	0	0	1	0	0										
	Sidewalk D	0	0	0	0	4	3	0	3	0	7	1	3										
	Corner A & B	0	1	0	0	0	0	0	1	0	0	4	2										
	Corner C & D	0	1	0	0	1	0	0	0	1	0	0	0										
	Crosswalk (A-B-C)	0	2	1	0	2	0	0	7	2	1	1	1										
	Crosswalk (C-D-A)	0	0	1	3	6	9	0	0	0	0	0	0										
Eleventh Ave & West 38th	Sidewalk A	0	0	1	2	1	2	0	0	0	0	0	0										
	Sidewalk B	0	0	2	2	0	0	0	1	0	0	0	0										
	Sidewalk C	0	1	0	0	0	5	0	0	0	2	0	0										
	Sidewalk D	0	0	4	0	0	0	3	2	0	0	11	1										
	Corner A & B	0	0	0	0	0	0	0	0	0	0	0	0										
	Corner C & D	0	0	0	0	0	0	0	0	0	0	0	0										
	Crosswalk (A-B-C)	0	0	0	0	13	2	6	3	0	0	0	0										
	Crosswalk (C-D-A)	0	0	0	2	1	0	4	2	0	8	0	0										
Eleventh Ave & West 39th	Sidewalk A	0	1	2	75	5	7	5	2	2	2	1	2	1	0	0	0	0	0	0	1	5	
	Sidewalk B	1	2	0	0	0	0	1	19	3	1	0	1	0	0	5	0	0	0	0	0	4	0
	Sidewalk C	0	5	5	3	0	1	0	0	0	1	0	0	0	3	4	1	0	0	11	4	0	0
	Sidewalk D	1	39	1	0	6	0	0	0	0	1	1	1	0	0	0	1	0	0	13	5	3	0
	Corner A & B	0	1	0	1	0	0	0	0	5	0	5	0	0	8	4	0	3	0	0	0	0	0
	Corner C & D	0	1	0	1	0	0	0	0	4	0	2	0	0	0	4	0	0	2	0	0	0	0
	Crosswalk (A-B-C)	0	1	4	0	14	5	3	0	0	0	2	1	0	0	0	0	0	10	0	2	0	0
	Crosswalk (C-D-A)	0	0	3	73	0	2	5	3	0	0	3	0	0	0	8	8	4	16	1	12	6	6
Eleventh Ave & West 40th	Sidewalk A	4	7	12	15	3	0	2	1	5	0	63	10										
	Sidewalk B	4	1	1	2	1	2	3	2	21	0	0	0										
	Sidewalk C	0	1	0	0	0	1	2	3	1	6	10	6										
	Sidewalk D	7	8	0	1	11	16	4	4	97	2	1	0										
	Corner A & B	8	11	7	6	0	6	0	3	0	0	0	0										
	Corner C & D	6	6	6	6	0	3	0	3	0	0	0	0										
	Crosswalk (A-B-C)	0	1	1	0	3	0	0	5	0	0	0	0										
	Crosswalk (C-D-A)	0	0	10	6	0	5	8	3	8	10	17	0										
Eleventh Ave & West 42nd	Sidewalk A	0	1	0	20	3	7	0	1	20	0	0	37	17	1	0	6	6	3	13	4	4	
	Sidewalk B	10	15	0	0	4	3	1	17	0	12	45	0	0	17	23	0	20	9	7	24	24	
	Sidewalk C	32	5	1	8	14	10	13	4	21	19	1	0	10	13	4	4	15	22	7	1	1	
	Sidewalk D	10	0	23	4	4	1	19	11	4	0	19	14	0	2	13	5	12	1	25	25	25	
	Corner A & B	0	0	0	0	0	0	0	0	0	0	0	0	0	5	9	0	2	0	5	10	10	
	Corner C & D	3	0	0	0	2	5	4	1	1	1	6	0	2	2	0	0	2	3	0	1	1	
	Crosswalk (A-B-C)	1	2	4	24	6	15	15	4	35	2	1	10	18	3	4	18	9	11	7	8	8	
	Crosswalk (C-D-A)	27	1	32	7	14	7	2	2	23	14	5	12	16	14	0	2	21	20	13	0	0	
Tenth Ave & W. 29th St	Sidewalk A	4	5	6	8	12	3	9	13	4	4	4	9										
	Sidewalk B	1	5	2	5	1	3	3	1	8	6	4	8										
	Sidewalk C	4	7	5	3	24	10	10	6	7	4	3	14										
	Sidewalk D	7	3	5	9	9	1	3	4	4	4	8	10										
	Corner A & B	3	4	1	2	2	5	1	2	6	7	3	2										
	Corner C & D	1	2	5	6	3	1	2	5	5	1	7	4										
	Crosswalk (A-B-C)	3	6	3	8	4	2	7	22	1	9	6	3										
	Crosswalk (C-D-A)	7	4	6	2	2	8	4	14	4	6	8	6										
Tenth Ave & W. 30th St	Sidewalk A	2	0	2	6	1	5	5	9	2	6	8	8	0	1	4	4	2	1	8	4	4	
	Sidewalk B	0	1	0	1	14	10	1	0	4	4	0	4	2	4	0	0	2	0	3	0	0	
	Sidewalk C	1	8	6	9	6	4	7	2	8	1	3	5	4	2	2	7	1	3	3	0	0	
	Sidewalk D	4	5	4	2	6	6	7	2	6	3	7	6	3	6	5	3	5	0	2	6	6	
	Corner A & B	1	1	0	0	2	2	0	0	2	2	0	0	0	0	0	0	1	1	0	0	0	
	Corner C & D	0	0	1	0	0	0	0	3	0	0	1	0	2	0	1	1	0	1	0	0	0	
	Crosswalk (A-B-C)	0	1	6	8	0	0	6	4	0	5	0	3	0	1	2	4	3	0	2	0	0	
	Crosswalk (C-D-A)	3	7	2	4	2	5	4	3	8	3	9	4	2	2	2	4	4	1	2	7	3	
Tenth Ave & W. 31st St	Sidewalk A	0	0	7	1	0	0	2	7	0	0	14	13	0	0	4	2	0	0	9	4	4	
	Sidewalk B	15	11	4	6	12	25	13	8	8	14	1	6	1	5	0	0	3	2	0	0	0	
	Sidewalk C	5	4	9	7	8	3	2	14	9	3	7	16	2	4	2	5	3	3	4	2	2	
	Sidewalk D	7	1	0	0	9	7	0	0	15	13	0	0	2	3	0	0	0	0	0	0	0	
	Corner A & B	0	0	4	6	0	0	13	8	0	0	1	6	0	0	0	0	0	0	0	1	1	
	Corner C & D	0	2	0	0	2	1	0	0	3	5	0	0	1	1	0	0	0	1	0	0	0	
	Crosswalk (A-B-C)	0	0	9	7	3	0	2	14	0	0	2	13	0	3	1	3	0	0	2	2	2	
	Crosswalk (C-D-A)	2	0	7	1	5	0	5	7	1	0	14	14	2	2	2	3	4	0	0	3	3	
Tenth Ave & W. 33rd St	Sidewalk A	1	10	14	31	78	61	5	10	7	10	3	14	1	5	11	0	3	3	9	7	7	
	Sidewalk B	13	15	12	12	17	15	20	13	15	6	8	4	8	8	1	4	1	7	3	4	4	
	Sidewalk C	3	6	7	7	9	7	3	4	13	7	20	2	4	15	5	4	4	7	1	6	6	
	Sidewalk D	3	8	17	7	6	9	11	16	7	4	6	10	13	1	0	2	7	7	1	5	5	
	Corner A & B	0	2	1	3	11	11	11	4	5	2	2	5	0	0	0	0	0	2	2	2	2	
	Corner C & D	1	6	2	0	4	1	8	2	5	4	1	1	1	1	1	0	5	1	0	0	0	
	Crosswalk (A-B-C)	10	17	15	9	50	47	28	20	3	6	12	10	2	11	15	4	0	2	0	2	2	
	Crosswalk (C-D-A)	7	9	12	3	17	7	12	49	5	16	14	11	2	5	2	1	0	2	7	7	7	
Tenth Ave & W. 34th St	Sidewalk A	13	77	12	11	35	32	24	33	45	6	9	28	15	21	6	11	8	12	7	5	5	
	Sidewalk B	9	17	1	71	19	22	23	26	16	11	40	8	10	22	20	24	4	5	13	17	17	
	Sidewalk C	26	100	25	15	69	44	51	33	79	18	24	6	44	23	11	9	8	14	7	6	6	
	Sidewalk D	9	11	8	60	15	25	49	27	7	8	74	17	8	12	34	16	3	5	6	5	5	
	Corner A & B	6	3	2	7	3	4	1	1	7	2	12	6	1	9	4	5	1	0	2	1	1	
	Corner C & D	12	9	3	2	33	20	4	8	13	12	6	9	4	5	1	1	2	4	0	2	2	
	Crosswalk (A-B-C)	2	76	12	15	38	32	21	19	47	11	20	10	12	13	10	16	11	14	8	3	3	
	Crosswalk (C-D-A)	10	59	12	12	45	38	25	28	72	12	16	19	33	24	4	6	8	7	4	6	6	
Tenth Ave & W. 35th St	Sidewalk A	0	29	6	5	29	12	7	21	36	0	3	25										
	Sidewalk B	2	3	0	42	16	20	18	17	26	32	48	6										
	Sidewalk C	4	18	0	0	1	0	22	13	1	0	23	17										
	Sidewalk D	15	5	5	23	11	10	17	16	8	20	11	10										
	Corner A & B	0	0	1																			



**Appendix S.5.2**  
**PEDESTRIAN VOLUMES (SIDEWALKS, CORNERS, AND CROSSWALKS)**  
**2003 EXISTING CONDITIONS**

Intersection	Elements	Weekday AM Peak 15-Min.				Weekday MD Peak 15-Min.				Weekday PM Peak 15-Min.				Special Events Evening Peak 15-Min.				Special Events Sunday Peak 15-Min.			
Ninth Ave & W. 34th St	Sidewalk A	47	68	60	19	93	107	92	95	77	62	33	58	27	23	19	13	25	21	7	16
	Sidewalk B	60	65	22	111	52	35	80	78	118	96	165	57	27	61	37	67	47	43	61	57
	Sidewalk C	62	123	18	48	132	120	128	109	247	52	69	104	73	61	42	36	97	76	89	101
	Sidewalk D	27	48	40	137	66	181	124	92	46	41	176	28	21	13	49	23	25	22	46	33
	Corner A & B	140	186	132	184	32	39	16	12	84	164	80	158	1	6	23	14	1	4	11	8
	Corner C & D	123	124	110	108	56	69	41	69	61	131	51	103	19	23	5	4	41	48	9	6
	Crosswalk (A-B-C)	43	99	42	91	64	77	80	75	221	42	84	137	24	31	35	39	34	32	73	59
	Crosswalk (C-D-A)	41	191	27	57	84	111	64	98	182	68	59	43	34	42	22	12	53	47	9	16
Ninth Ave & W. 37th St	Sidewalk A	14	12	25	39	19	19	14	35	57	11	63	18								
	Sidewalk B	56	103	13	12	103	102	19	30	139	89	46	14								
	Sidewalk C	21	24	71	102	17	23	97	59	39	19	185	59								
	Sidewalk D	15	27	9	14	31	26	28	8	21	29	50	6								
	Corner A & B	6	7	8	6	9	9	13	12	13	4	6	6								
	Corner C & D	13	13	4	1	8	8	2	3	5	8	0	6								
	Crosswalk (A-B-C)	7	8	56	89	15	22	86	66	72	15	186	67								
	Crosswalk (C-D-A)	10	8	24	30	30	8	16	31	48	9	49	16								
Ninth Ave & W. 38th St	Sidewalk A	2	3	20	39	7	12	39	72	21	9	37	65								
	Sidewalk B	37	67	0	23	27	40	18	20	38	61	35	46								
	Sidewalk C	13	20	75	66	7	16	29	37	13	8	76	83								
	Sidewalk D	22	15	10	5	43	26	11	25	36	40	9	6								
	Corner A & B	2	7	1	8	7	8	5	10	5	4	9	9								
	Corner C & D	4	6	0	1	12	11	0	4	4	5	1	1								
	Crosswalk (A-B-C)	12	1	71	70	6	1	37	37	21	19	99	57								
	Crosswalk (C-D-A)	4	9	39	23	3	6	37	50	17	16	43	23								
Ninth Ave & W. 39th St	Sidewalk A	8	17	22	52	2	8	28	38	13	8	84	41								
	Sidewalk B	39	133	10	14	62	60	10	30	170	73	20	19								
	Sidewalk C	5	16	37	102	17	23	86	69	13	18	179	79								
	Sidewalk D	17	39	5	4	39	29	3	1	60	39	5	6								
	Corner A & B	2	10	8	6	0	4	5	7	6	4	6	4								
	Corner C & D	10	3	0	3	7	17	0	0	7	7	3	1								
	Crosswalk (A-B-C)	7	14	31	108	8	14	85	63	26	27	179	83								
	Crosswalk (C-D-A)	2	10	17	47	17	8	25	27	12	14	79	30								
Ninth Ave & W. 42nd St	Sidewalk A	83	37	84	70	51	40	144	98	160	62	168	136								
	Sidewalk B	83	91	85	100	86	80	74	86	140	137	174	140								
	Sidewalk C	135	123	127	119	121	170	107	78	151	151	163	137								
	Sidewalk D	38	33	82	34	78	98	61	50	83	83	74	62								
	Corner A & B	11	8	10	18	10	9	12	18	7	22	17	34								
	Corner C & D	30	11	5	6	25	32	2	8	20	23	11	5								
	Crosswalk (A-B-C)	100	62	92	133	76	91	105	112	191	140	143	210								
	Crosswalk (C-D-A)	98	81	95	70	89	116	112	93	119	108	167	172								
Eighth Ave & W. 30th St	Sidewalk A	46	17	80	84	32	28	146	192	23	39	118	115	15	30	62	53	47	35	103	94
	Sidewalk B	101	236	28	10	146	192	46	61	222	174	51	73	150	100	24	53	104	114	24	21
	Sidewalk C	40	21	48	109	37	35	95	55	17	20	172	94	10	24	74	29	5	3	64	61
	Sidewalk D	66	76	25	10	111	137	26	14	103	92	20	31	72	51	19	24	67	51	27	28
	Corner A & B	27	12	39	13	16	19	35	37	9	27	41	54	9	19	17	38	28	22	18	8
	Corner C & D	12	8	0	11	15	14	10	10	5	9	0	3	5	1	4	2	1	7	15	9
	Crosswalk (A-B-C)	14	47	52	121	22	22	98	98	23	30	176	116	9	14	61	31	18	15	65	63
	Crosswalk (C-D-A)	28	13	56	67	16	22	77	87	16	23	101	97	17	10	56	41	9	6	67	50
Eighth Ave & W. 31st St	Sidewalk A	104	37	23	107	42	9	33	127	67	21	78	136	34	13	60	69	38	11	58	68
	Sidewalk B	30	94	55	146	73	58	98	70	107	90	104	58	62	51	46	15	124	129	91	71
	Sidewalk C	13	17	48	74	30	31	133	53	15	25	121	26	0	19	136	65	17	11	97	85
	Sidewalk D	40	46	29	89	90	48	90	63	55	61	57	66	112	115	67	53	57	57	14	9
	Corner A & B	18	36	15	15	25	41	25	25	25	20	25	20	19	9	31	75	8	9	30	30
	Corner C & D	11	7	20	10	6	6	25	30	6	6	15	17	1	3	39	51	6	9	2	2
	Crosswalk (A-B-C)	60	75	73	197	85	68	87	135	103	56	119	123	27	54	114	71	18	25	119	64
	Crosswalk (C-D-A)	31	77	66	82	54	98	98	93	53	75	130	79	29	25	57	54	39	33	67	55
Eighth Ave & W. 33rd St	Sidewalk A	136	278	166	269	183	158	231	183	93	118	278	190	40	26	64	132	111	43	81	142
	Sidewalk B	139	125	176	130	123	77	116	59	251	61	143	112	71	224	43	62	266	231	70	46
	Sidewalk C	114	99	211	118	269	216	216	174	166	224	174	312	39	135	150	216	112	57	92	72
	Sidewalk D	44	74	121	68	115	137	249	215	17	50	238	81	41	70	84	28	34	53	63	35
	Corner A & B	16	15	25	15	36	21	64	52	54	39	47	53	7	7	29	27	31	12	42	37
	Corner C & D	29	21	20	28	65	76	63	70	37	77	53	61	22	25	39	25	117	60	14	19
	Crosswalk (A-B-C)	248	136	247	114	142	143	269	266	426	134	545	151	43	62	101	254	92	39	149	215
	Crosswalk (C-D-A)	313	100	533	213	283	186	154	119	259	144	284	128	138	36	234	174	124	34	96	65
Eighth Ave & W. 34th St	Sidewalk A	171	75	44	89	90	80	78	104	138	120	67	117	65	72	14	36	118	79	95	97
	Sidewalk B	132	76	73	120	77	68	115	130	106	83	106	185	94	119	121	219	209	204	229	205
	Sidewalk C	48	103	146	17	74	83	56	33	113	71	73	53	120	55	24	46	194	132	141	188
	Sidewalk D	118	84	78	55	89	64	86	33	87	135	121	41	120	55	24	46	129	79	189	181
	Corner A & B	25	30	46	46	36	41	51	56	51	51	102	107	81	173	736	875	11	21	107	31
	Corner C & D	15	15	20	15	25	25	18	25	30	30	41	41	115	231	138	52	21	22	41	18
	Crosswalk (A-B-C)	121	117	153	113	223	194	214	174	278	192	160	306	70	48	154	245	149	79	157	96
	Crosswalk (C-D-A)	100	163	158	107	139	179	185	178	195	116	206	174	682	822	77	45	278	104	113	114
Eighth Ave & W. 37th St	Sidewalk A	19	37	198	217	163	95	49	93	39	27	250	181								
	Sidewalk B	139	263	98	31	177	207	46	48	368	331	23	97								
	Sidewalk C	49	15	161	160	42	115	52	55	18	44	233	211								
	Sidewalk D	159	214	35	22	159	66	127	43	325	221	60	18								
	Corner A & B	13	16	64	32	14	12	22	21	21	14	17	14								
	Corner C & D	18	17	20	16	18	12	20	20	21	16	22	24								
	Crosswalk (A-B-C)	48	37	158	166	150	108	142	158	37	75	246	292								
	Crosswalk (C-D-A)	43	49	208	220	119	146	256	177	39	106	407	188		</						

**Appendix S.5.2**  
**PEDESTRIAN VOLUMES (SIDEWALKS, CORNERS, AND CROSSWALKS)**  
**2003 EXISTING CONDITIONS**

Intersection	Elements	Weekday AM Peak 15-Min.				Weekday MD Peak 15-Min.				Weekday PM Peak 15-Min.				Special Events Evening Peak 15-Min.				Special Events Sunday Peak 15-Min.			
<b>Eighth Ave &amp; W. 39th St</b>	Sidewalk A	37	63	45	516	85	46	199	317	94	18	618	196								
	Sidewalk B	60	1220	209	47	203	393	112	151	840	292	13	110								
	Sidewalk C	113	40	118	412	110	185	261	203	30	157	594	176								
	Sidewalk D	142	561	49	58	376	273	100	54	772	152	51	20								
	Corner A & B	11	22	52	21	15	29	31	35	18	24	9	84								
	Corner C & D	36	19	16	51	35	65	23	27	12	20	11	16								
	Crosswalk (A-B-C)	89	14	80	602	77	77	157	226	38	58	435	283								
Crosswalk (C-D-A)	42	68	117	450	54	631	305	259	42	121	1004	144									
<b>Eighth Ave &amp; W. 42nd St</b>	Sidewalk A	301	229	579	103	204	172	160	176	289	429	206	1328								
	Sidewalk B	425	112	184	54	207	222	212	169	359	323	180	129								
	Sidewalk C	805	180	518	100	320	288	200	245	400	1033	358	636								
	Sidewalk D	718	75	281	66	283	313	216	176	205	1453	314	348								
	Corner A & B	40	41	54	36	4	41	66	93	23	156	87	167								
	Corner C & D	7	216	40	36	23	105	76	67	37	67	52	84								
	Crosswalk (A-B-C)	130	318	400	90	112	122	255	212	367	181	497	579								
Crosswalk (C-D-A)	1066	183	822	163	231	271	199	190	319	972	186	1132									
<b>Seventh Ave &amp; W. 31st St</b>	Sidewalk A	67	52	76	465	54	86	229	273	189	144	393	300								
	Sidewalk B	170	535	288	79	231	157	65	94	284	205	221	289								
	Sidewalk C	153	118	95	325	135	123	144	107	222	318	297	304								
	Sidewalk D	90	675	102	49	257	189	41	31	232	254	196	198								
	Corner A & B	15	0	46	15	10	10	46	30	15	20	15	25								
	Corner C & D	10	46	15	41	36	36	10	15	25	25	25	20								
	Crosswalk (A-B-C)	322	136	96	280	125	130	175	240	242	324	270	243								
Crosswalk (C-D-A)	129	166	91	384	117	105	121	134	241	318	320	258									
<b>Seventh Ave &amp; W. 33rd St</b>	Sidewalk A	146	141	180	373	175	114	278	237	162	268	256	317								
	Sidewalk B	221	249	194	100	226	234	116	131	229	232	157	291								
	Sidewalk C	343	148	259	220	212	233	239	231	240	294	188	226								
	Sidewalk D	519	200	120	144	262	234	195	139	269	401	127	269								
	Corner A & B	41	25	15	15	15	30	51	46	25	15	25	15								
	Corner C & D	25	61	61	36	46	61	41	41	51	25	30	51								
	Crosswalk (A-B-C)	293	184	278	210	210	183	219	226	295	344	216	292								
Crosswalk (C-D-A)	396	271	246	286	269	249	264	265	234	346	248	357									
<b>Seventh Ave &amp; W. 34th St</b>	Sidewalk A	146	44	428	92	130	107	204	175	655	283	405	554								
	Sidewalk B	547	48	142	149	136	112	217	135	241	717	787	90								
	Sidewalk C	411	299	117	147	151	137	93	122	247	446	152	550								
	Sidewalk D	172	175	923	87	91	118	92	122	376	343	283	491								
	Corner A & B	203	30	32	100	320	359	277	307	520	477	483	422								
	Corner C & D	44	38	42	30	232	252	188	209	426	361	358	300								
	Crosswalk (A-B-C)	465	88	249	121	272	258	164	191	59	68	63	77								
Crosswalk (C-D-A)	478	143	875	189	161	143	214	219	114	50	67	121									
<b>Sixth Ave &amp; W. 33rd St</b>	Sidewalk A	165	54	197	145	112	71	320	273	141	270	596	471								
	Sidewalk B	212	172	216	40	220	164	99	156	315	257	107	459								
	Sidewalk C	290	80	139	121	194	226	224	191	229	451	223	234								
	Sidewalk D	345	183	199	222	264	249	169	142	552	590	282	493								
	Corner A & B	15	0	15	15	30	30	30	30	30	30	30	71								
	Corner C & D	0	56	15	36	30	30	61	61	61	61	61	91								
	Crosswalk (A-B-C)	305	121	155	191	258	269	277	219	259	494	387	337								
Crosswalk (C-D-A)	319	131	318	127	225	231	318	276	407	588	343	343									
<b>Sixth Ave &amp; W. 34th St</b>	Sidewalk A	0	0	0	0	0	0	0	0	0	0	0	0	0	0	0	0	0	0	0	0
	Sidewalk B	457	351	332	122	763	858	323	492	690	756	559	798	137	149	186	418	421	306	261	198
	Sidewalk C	383	80	369	336	242	256	761	816	525	450	408	517	210	257	222	168	347	300	203	174
	Sidewalk D	0	0	0	0	0	0	0	0	0	0	0	0	0	0	0	0	0	0	0	0
	Corner A & B	0	0	81	45	0	0	178	225	0	0	65	397	0	0	49	136	0	0	81	191
	Corner C & D	39	22	0	0	82	48	0	0	28	17	0	0	15	53	0	0	38	20	0	0
	Crosswalk (A-B-C)	141	392	412	270	738	575	538	680	817	468	293	691	222	124	165	189	248	381	363	311
Crosswalk (C-D-A)	571	69	0	0	741	587	0	0	604	671	0	0	189	286	0	0	432	353	0	0	
<b>Broadway &amp; W. 34th St</b>	Sidewalk A	355	130	696	156	258	405	661	736	655	1147	714	1013	372	261	183	271	367	509	412	367
	Sidewalk B	0	0	0	0	0	0	0	0	0	0	0	0	0	0	0	0	0	0	0	0
	Sidewalk C	0	0	0	0	0	0	0	0	0	0	0	0	0	0	0	0	0	0	0	0
	Sidewalk D	533	319	464	144	817	761	587	343	861	829	761	880	299	265	359	434	534	484	489	471
	Corner A & B	220	43	0	0	109	155	0	0	95	423	0	0	31	62	0	0	85	152	0	0
	Corner C & D	0	0	40	215	0	0	252	343	0	0	498	462	0	0	119	95	0	0	174	41
	Crosswalk (A-B-C)	1015	165	0	0	876	575	0	0	433	1015	0	0	329	161	0	0	264	357	0	0
Crosswalk (C-D-A)	571	69	604	90	587	741	828	936	604	671	693	1001	189	286	246	143	238	255	249	245	



**Appendix S 5.2**  
**PEDESTRIAN VOLUMES (SIDEWALKS, CORNERS, AND CROSSWALKS)**  
**2010 FUTURE WITHOUT THE PROPOSED ACTION**

Intersection	Elements	Weekday AM Peak 15-Min.		Weekday MD Peak 15-Min.		Weekday PM Peak 15-Min.		Special Events Evening Peak 15-Min.		Special Events Sunday Peak 15-Min.										
Rt 9A & West 30th St	Sidewalk A	0	0	22	39	0	0	12	20	0	0	17	13	0	0	20	26			
	Sidewalk B	0	0	0	0	2	0	0	0	4	5	4	3	0	7	2	1			
	Sidewalk C	2	0	2	2	1	0	1	1	0	0	1	2	1	1	0	0	0		
	Sidewalk D	20	26	0	0	13	20	0	0	17	14	0	0	20	26	0	0			
	Corner A & B	0	0	0	0	0	0	0	0	0	0	4	2	0	0	1	0			
	Corner C & D	0	0	0	0	0	0	0	0	0	0	0	0	0	0	0	0	0		
	Crosswalk (A-B-C)	0	0	0	0	0	0	1	2	0	0	0	4	0	0	1	0	6		
	Crosswalk (C-D-A)	5	2	24	36	1	1	14	31	2	1	28	31	0	0	2	20	24		
Rt 9A & West 34th St	Sidewalk A	1	1	0	4	0	0	3	4	0	0	0	0	0	0	14	19			
	Sidewalk B	0	0	3	10	0	3	10	16	1	0	0	2	6	3	3	0			
	Sidewalk C	26	21	0	0	57	47	2	0	45	49	0	0	66	55	5	0			
	Sidewalk D	9	1	0	0	2	3	2	0	2	0	0	0	16	19	0	0			
	Corner A & B	3	0	3	0	7	7	7	7	3	13	3	13	0	0	3	0			
	Corner C & D	3	0	3	0	4	3	4	3	2	9	2	8	0	0	0	0			
	Crosswalk (A-B-C)	3	8	0	0	9	10	2	0	8	7	6	0	0	0	5	0			
	Crosswalk (C-D-A)	30	19	0	4	59	47	3	4	46	43	0	3	0	0	9	14	67	55	13
Rt 9A & West 39th St	Sidewalk A	0	0	0	0	0	0	0	0											
	Sidewalk B	0	0	0	0	7	4	0	0	3	0	0	0							
	Sidewalk C	14	13	1	2	40	43	9	4	25	34	4	0							
	Sidewalk D	0	0	0	0	0	11	0	0	0	2	0	0							
	Corner A & B	1	2	0	0	0	0	0	0	0	0	0	0							
	Corner C & D	0	0	0	0	0	0	0	0	0	2	0	0							
	Crosswalk (A-B-C)	2	0	0	0	0	0	6	3	0	0	3	0							
	Crosswalk (C-D-A)	22	19	33	43	32	32	30	16	25	34	40	29							
Rt 9A & West 40th St	Sidewalk A	0	0	0	0	0	1	1	0	1	3	0	0							
	Sidewalk B	0	0	0	0	3	0	0	2	2	3	1	2							
	Sidewalk C	0	0	0	0	0	1	2	0	0	0	1	0							
	Sidewalk D	0	0	0	0	0	0	0	0	0	0	0	0							
	Corner A & B	0	0	0	0	0	0	0	1	0	0	0	1							
	Corner C & D	0	0	0	0	1	0	0	0	0	0	0	0							
	Crosswalk (A-B-C)	0	0	2	0	0	0	1	4	0	0	1	0							
	Crosswalk (C-D-A)	0	2	26	47	0	1	20	18	1	2	43	36							
Rt 9A & West 42nd St	Sidewalk A	2	0	3	0	2	6	0	0	28	0	0	0							
	Sidewalk B	4	10	26	33	8	16	56	67	3	24	58	53							
	Sidewalk C	32	38	1	4	53	54	6	2	62	49	9	7							
	Sidewalk D	2	3	0	3	0	0	2	2	0	7	1	0							
	Corner A & B	0	0	4	5	3	0	12	4	23	0	5	0							
	Corner C & D	4	0	0	0	0	1	0	0	2	4	0	0							
	Crosswalk (A-B-C)	24	29	2	7	50	62	8	4	56	53	1	23							
	Crosswalk (C-D-A)	27	31	32	46	49	51	35	35	38	46	14	16							
Eleventh Ave & West 29th	Sidewalk A	0	0	3	2	2	1	13	19	0	4	8	12							
	Sidewalk B	11	5	2	4	22	64	9	5	6	31	4	1							
	Sidewalk C	4	6	15	9	10	3	31	56	7	2	9	28							
	Sidewalk D	2	1	0	0	17	17	0	0	6	11	5	2							
	Corner A & B	0	0	0	0	0	0	2	1	0	1	0	0							
	Corner C & D	0	4	0	0	3	4	0	0	2	3	1	0							
	Crosswalk (A-B-C)	1	2	9	4	0	1	23	58	0	0	6	28							
	Crosswalk (C-D-A)	0	0	3	3	2	1	15	20	2	0	8	10							
Eleventh Ave & West 30th	Sidewalk A	2	0	2	2	10	5	9	16	2	6	7	7	0	0	4	4			
	Sidewalk B	12	5	8	4	13	59	58	75	7	35	13	15	6	7	6	2			
	Sidewalk C	4	1	14	6	7	1	33	78	5	0	22	35	3	0	3	4			
	Sidewalk D	2	5	1	0	22	26	3	2	9	12	5	0	1	1	0	1			
	Corner A & B	0	5	1	4	18	14	22	17	4	13	4	10	0	0	3	0			
	Corner C & D	0	3	0	4	14	9	14	9	2	8	2	8	0	0	0	0			
	Crosswalk (A-B-C)	4	2	4	2	29	38	31	36	6	7	14	10	1	1	2	2			
	Crosswalk (C-D-A)	0	0	4	2	2	1	19	34	0	0	9	6	2	1	1	2			
Eleventh Ave & West 33rd	Sidewalk A	0	1	1	8	2	0	3	2	0	0	1	3	0	0	1	0			
	Sidewalk B	12	12	9	5	89	92	65	88	24	36	18	25	16	5	4	13			
	Sidewalk C	2	0	7	5	0	2	3	30	2	1	7	18	2	0	2	5			
	Sidewalk D	2	4	1	4	1	2	0	0	0	3	1	0	3	3	0	1			
	Corner A & B	0	0	5	10	1	0	79	66	0	0	20	19	0	0	4	9			
	Corner C & D	0	0	0	0	1	0	0	0	0	1	0	0	0	0	1	0			
	Crosswalk (A-B-C)	0	0	7	5	1	2	2	29	0	0	5	18	0	0	2	4			
	Crosswalk (C-D-A)	2	0	2	8	0	2	0	2	1	1	1	3	0	0	1	1			
Eleventh Ave & West 34th	Sidewalk A	7	18	2	3	14	30	1	5	12	13	2	3	11	5	2	1			
	Sidewalk B	8	8	22	12	74	67	52	37	19	23	37	31	5	8	1	5			
	Sidewalk C	11	11	21	14	34	38	72	80	29	31	20	30	39	1	26	3			
	Sidewalk D	0	0	31	21	3	4	70	50	5	1	50	48	2	1	2	3			
	Corner A & B	1	2	0	0	0	2	1	2	0	0	2	2	2	0	1	0			
	Corner C & D	1	1	0	0	1	7	1	1	0	6	1	0	0	25	3	2			
	Crosswalk (A-B-C)	16	10	19	17	36	35	74	76	30	26	17	26	3	5	4	9			
	Crosswalk (C-D-A)	14	15	11	10	36	29	24	26	26	26	20	22	8	1	0	6			
Eleventh Ave & West 35th	Sidewalk A	0	0	4	3	0	0	4	6	0	0	5	6							
	Sidewalk B	8	7	0	0	64	53	1	0	13	15	2	0							
	Sidewalk C	2	0	4	6	1	8	64	53	0	0	14	12							
	Sidewalk D	4	3	0	0	4	4	0	0	4	4	0	0							
	Corner A & B	0	0	0	1	0	0	0	1	0	0	2	0							
	Corner C & D	0	1	0	0	0	0	0	0	0	0	0	0							
	Crosswalk (A-B-C)	0	1	6	7	1	5	64	53	1	2	14	14							
	Crosswalk (C-D-A)	0	0	4	3	2	2	4	5	0	1	4	6							
Eleventh Ave & West 36th	Sidewalk A	0	0	4	2	0	0	1	10	0	0	4	5							
	Sidewalk B	3	7	0	0	58	49	1	1	13	15	1	0							
	Sidewalk C	4	1	3	6	2	2	56	48	3	1	13	14							
	Sidewalk D	5	4	0	0	1	5	0	0	6	5	0	0							
	Corner A & B	0	0	1	0	0	0	1	0	0	0	1	0							
	Corner C & D	0	0	0	0	0	0	0	0	1	0	0	0							
	Crosswalk (A-B-C)	0	1	3	6	0	1	56	46	0	0	14	13							
	Crosswalk (C-D-A)	3	2	0	0	3	2	0	9	3	0	4	5							

**Appendix S.5.2**  
**PEDESTRIAN VOLUMES (SIDEWALKS, CORNERS, AND CROSSWALKS)**  
**2010 FUTURE WITHOUT THE PROPOSED ACTION**

Intersection	Elements	Weekday AM Peak 15-Min.				Weekday MD Peak 15-Min.				Weekday PM Peak 15-Min.				Special Events Evening Peak 15-Min.				Special Events Sunday Peak 15-Min.			
Eleventh Ave & West 37th	Sidewalk A	2	2	0	1	1	1	0	0	0	0	0	3								
	Sidewalk B	3	5	0	0	50	54	3	5	16	17	0	0								
	Sidewalk C	1	0	3	5	2	4	48	38	0	1	10	9								
	Sidewalk D	0	0	0	0	4	3	0	3	0	7	1	3								
	Corner A & B	0	1	0	0	0	0	0	1	0	0	4	2								
	Corner C & D	0	1	0	0	1	0	0	0	1	0	0	0								
	Crosswalk (A-B-C)	0	2	4	5	2	0	48	45	2	1	11	10								
	Crosswalk (C-D-A)	0	0	1	3	6	9	0	0	0	0	0	0								
Eleventh Ave & West 38th	Sidewalk A	0	0	1	2	1	2	1	0	0	0	1	0								
	Sidewalk B	0	0	2	2	0	0	0	1	0	0	0	0								
	Sidewalk C	0	1	3	4	0	5	40	32	0	2	9	7								
	Sidewalk D	0	0	4	0	0	0	3	2	0	0	11	1								
	Corner A & B	0	0	0	0	0	0	0	0	0	0	0	0								
	Corner C & D	0	0	0	0	0	0	0	0	0	0	0	0								
	Crosswalk (A-B-C)	0	0	0	0	13	2	6	3	0	0	0	0								
	Crosswalk (C-D-A)	0	0	0	2	1	0	4	2	0	8	0	0								
Eleventh Ave & West 39th	Sidewalk A	0	1	2	78	5	7	6	2	2	2	2	2	1	0	0	0	0	0	1	6
	Sidewalk B	1	2	0	0	0	0	1	20	3	1	0	1	0	0	5	0	0	1	4	0
	Sidewalk C	14	17	5	3	30	31	0	0	23	29	0	0	3	4	1	0	56	41	0	1
	Sidewalk D	1	40	15	12	7	0	30	30	1	1	24	29	0	0	1	0	13	6	48	37
	Corner A & B	0	1	0	1	0	0	0	0	5	0	5	0	8	4	0	3	0	0	0	0
	Corner C & D	0	1	0	1	0	0	0	0	4	0	2	0	0	4	0	0	2	0	0	0
	Crosswalk (A-B-C)	0	1	4	0	14	5	3	0	0	0	2	1	0	0	0	0	10	0	2	1
	Crosswalk (C-D-A)	14	12	3	76	30	32	6	3	23	28	4	0	0	8	8	4	62	38	12	7
Eleventh Ave & West 40th	Sidewalk A	4	7	12	16	3	0	2	1	5	0	66	10								
	Sidewalk B	4	1	1	2	1	2	3	2	22	0	0	0								
	Sidewalk C	0	1	0	0	0	1	2	3	1	6	10	6								
	Sidewalk D	7	8	0	1	12	17	4	4	101	2	1	0								
	Corner A & B	8	11	7	6	0	6	0	3	0	0	0	0								
	Corner C & D	6	6	6	6	0	3	0	3	0	0	0	0								
	Crosswalk (A-B-C)	0	1	1	0	3	0	0	5	0	0	0	0								
	Crosswalk (C-D-A)	0	0	10	6	0	5	8	3	8	10	18	0								
Eleventh Ave & West 42nd	Sidewalk A	43	24	2	42	70	65	3	21	77	53	4	58	36	2	1	24	95	63	16	23
	Sidewalk B	11	16	86	25	4	3	101	79	0	13	137	67	0	18	73	5	22	9	129	94
	Sidewalk C	69	27	1	8	73	61	13	4	70	71	1	0	20	15	4	4	98	85	7	1
	Sidewalk D	57	14	46	22	39	16	67	59	42	27	56	58	32	16	13	5	47	20	97	84
	Corner A & B	0	0	0	0	0	0	0	0	0	0	0	0	0	5	9	0	2	0	5	10
	Corner C & D	3	0	0	0	2	5	4	1	1	1	6	0	2	2	0	0	2	3	0	1
	Crosswalk (A-B-C)	71	27	25	29	95	76	32	10	114	63	18	20	57	6	17	24	119	76	22	15
	Crosswalk (C-D-A)	80	22	54	22	84	59	18	17	84	70	23	32	38	17	14	15	115	86	29	16
Tenth Ave & W. 29th St	Sidewalk A	9	8	28	16	18	29	23	78	6	18	9	57								
	Sidewalk B	13	10	15	10	14	52	9	49	11	35	6	41								
	Sidewalk C	14	11	13	7	31	42	23	54	9	27	6	37								
	Sidewalk D	49	19	15	13	25	123	9	36	10	98	10	33								
	Corner A & B	3	4	1	2	2	5	1	2	6	7	3	2								
	Corner C & D	1	2	5	6	3	1	2	5	5	1	7	4								
	Crosswalk (A-B-C)	16	11	16	13	10	48	20	75	3	40	9	34								
	Crosswalk (C-D-A)	28	12	37	13	8	76	20	99	6	56	14	73								
Tenth Ave & W. 30th St	Sidewalk A	10	5	23	13	65	84	24	70	17	23	12	50	2	3	9	11	27	26	32	34
	Sidewalk B	17	8	11	7	33	83	65	97	8	46	15	32	7	10	3	3	31	33	35	33
	Sidewalk C	9	11	19	14	12	34	26	59	10	20	7	35	7	5	5	11	14	18	25	25
	Sidewalk D	32	15	11	5	25	100	13	31	10	69	9	24	11	17	7	6	45	47	14	20
	Corner A & B	1	1	0	0	2	2	1	0	2	2	1	0	0	0	0	0	1	1	0	0
	Corner C & D	0	0	1	0	0	0	0	3	0	0	1	0	2	0	1	1	0	1	0	0
	Crosswalk (A-B-C)	15	10	19	14	64	110	25	62	15	42	4	35	4	5	6	9	41	40	25	26
	Crosswalk (C-D-A)	11	10	29	14	8	37	23	94	10	24	13	66	5	5	11	14	15	18	45	48
Tenth Ave & W. 31st St	Sidewalk A	0	0	25	6	0	0	2	44	0	0	14	50	0	0	9	9	0	0	26	26
	Sidewalk B	26	15	14	12	18	62	76	86	9	39	18	26	4	9	3	3	19	20	28	28
	Sidewalk C	6	5	26	14	8	10	28	92	9	7	13	57	2	5	6	11	6	6	34	35
	Sidewalk D	27	8	0	0	28	68	0	0	20	55	0	0	7	10	0	0	24	30	0	0
	Corner A & B	0	0	4	7	0	0	19	13	0	0	2	7	0	0	0	0	0	0	2	3
	Corner C & D	1	3	0	0	2	8	0	0	3	9	0	0	1	2	0	0	3	4	0	0
	Crosswalk (A-B-C)	3	2	25	13	29	32	28	85	6	7	8	49	1	4	5	8	10	10	29	32
	Crosswalk (C-D-A)	2	0	7	1	5	0	5	7	1	0	14	14	2	2	3	4	0	0	3	3
Tenth Ave & W. 33rd St	Sidewalk A	11	17	20	37	162	153	45	59	29	29	11	32	4	8	13	2	35	35	28	27
	Sidewalk B	19	21	22	18	53	63	94	111	25	25	25	29	10	10	3	7	20	27	34	35
	Sidewalk C	37	20	17	10	135	186	3	35	42	73	21	26	12	26	8	8	64	73	15	22
	Sidewalk D	21	13	26	12	6	46	79	101	7	41	21	28	18	8	2	4	24	29	27	31
	Corner A & B	0	2	1	3	11	11	12	4	5	2	3	5	0	0	0	0	0	2	2	2
	Corner C & D	2	7	2	0	4	8	8	2	5	8	1	1	1	2	1	0	8	4	0	0
	Crosswalk (A-B-C)	19	23	22	14	125	139	63	68	20	25	20	29	4	13	18	6	28	30	19	22
	Crosswalk (C-D-A)	32	19	20	9	117	142	52	109	28	64	22	34	8	12	5	4	45	51	30	31
Tenth Ave & W. 34th St	Sidewalk A	28	89	15	15	78	68	57	67	74	29	16	39	16	22	7	12	45	43	20	18
	Sidewalk B	12	21	17	84	47	51	66	69	23	20	68	36	11	24	22	26	15	17	53	52
	Sidewalk C	38	116	32	22	93	87	82	83	99	68	33	42	46	25	13	11	44	44	24	24
	Sidewalk D	12	15	18	72	48	59	73	54	14	18	94	41	9	13	35	17	16	18	39	32
	Corner A & B	6	3	2	7	3	4	1	1	7	2	12	6	1	9	4	5	1	0	2	1
	Corner C & D	13	11	3	2	34	36	4	8	13	38	6	9	4	6	1	1	5	7	0	2
	Crosswalk (A-B-C)	17	88	17	20	81	68	49	55	76	34	27	23	12	13	12	19	48	45	22	18
	Crosswalk (C-D-A)	20	71	15	16	69	65	58	62	92	35	24	30	34	25	5	7	41	34	17	19
Tenth Ave & W. 35th St	Sidewalk A	2	31	8	7	43	28	31	41	40	3	8	30								
	Sidewalk B	3	5	2	44	38	38	32	34	31	37	53	9								
	Sidewalk C	4	19	1	2	1	0	44	30	1											

**Appendix S.5.2**  
**PEDESTRIAN VOLUMES (SIDEWALKS, CORNERS, AND CROSSWALKS)**  
**2010 FUTURE WITHOUT THE PROPOSED ACTION**

Intersection	Elements	Weekday AM Peak 15-Min.				Weekday MD Peak 15-Min.				Weekday PM Peak 15-Min.				Special Events Evening Peak 15-Min.				Special Events Sunday Peak 15-Min.			
Tenth Ave & W. 36th St	Sidewalk A	3	12	6	4	23	26	31	37	3	3	15	19								
	Sidewalk B	10	3	3	12	22	32	23	18	17	16	13	5								
	Sidewalk C	0	18	13	3	17	22	25	26	24	8	20	20								
	Sidewalk D	6	5	0	12	32	28	8	17	15	22	21	3								
	Corner A & B	0	0	0	0	2	8	7	0	0	0	1	1								
	Corner C & D	0	0	0	0	1	2	3	0	1	0	0	3								
	Crosswalk (A-B-C)	2	13	80	27	29	26	26	18	24	6	19	22								
	Crosswalk (C-D-A)	13	57	40	32	13	19	31	35	85	1	17	46								
Tenth Ave & W. 37th St	Sidewalk A	10	5	7	4	24	26	20	27	6	13	12	8								
	Sidewalk B	20	9	6	17	39	29	16	20	19	11	16	5								
	Sidewalk C	12	21	9	11	13	22	17	24	10	7	16	14								
	Sidewalk D	2	5	8	8	22	25	7	5	7	12	5	9								
	Corner A & B	1	1	3	3	2	2	5	3	5	2	6	10								
	Corner C & D	9	8	3	1	8	5	2	2	0	1	3	4								
	Crosswalk (A-B-C)	10	18	10	31	21	23	27	29	19	10	10	13								
	Crosswalk (C-D-A)	5	3	14	11	13	11	25	32	7	13	7	13								
Tenth Ave & W. 38th St	Sidewalk A	7	6	8	12	8	6	18	27	26	7	9	12								
	Sidewalk B	8	12	4	11	31	26	19	22	10	13	10	8								
	Sidewalk C	1	3	6	5	7	11	20	24	9	7	17	10								
	Sidewalk D	9	6	2	3	21	23	10	9	14	6	11	4								
	Corner A & B	0	2	0	3	1	5	5	6	1	1	0	1								
	Corner C & D	0	0	1	0	3	4	2	3	0	1	2	2								
	Crosswalk (A-B-C)	5	3	2	9	13	18	23	25	11	5	17	12								
	Crosswalk (C-D-A)	0	3	3	11	9	12	21	20	14	4	12	10								
Tenth Ave & W. 39th St	Sidewalk A	8	7	5	6	23	23	23	28	14	16	7	10								
	Sidewalk B	8	10	8	7	26	33	23	23	12	14	14	18								
	Sidewalk C	8	15	13	13	24	18	27	30	24	15	25	10								
	Sidewalk D	5	8	7	8	29	28	21	19	9	10	18	18								
	Corner A & B	0	0	0	0	0	0	1	0	0	0	0	0								
	Corner C & D	7	0	0	0	1	1	2	0	0	2	1	0								
	Crosswalk (A-B-C)	8	7	13	8	23	23	27	33	14	17	20	11								
	Crosswalk (C-D-A)	7	12	5	6	19	19	23	28	26	18	15	14								
Tenth Ave & W. 40th St	Sidewalk A	5	3	2	5	19	10	22	20	6	9	21	12								
	Sidewalk B	13	26	5	8	21	27	28	34	25	27	17	20								
	Sidewalk C	4	5	11	25	22	23	31	41	6	5	18	20								
	Sidewalk D	4	5	2	4	23	26	10	8	23	12	2	2								
	Corner A & B	0	0	0	5	5	3	9	7	0	2	9	10								
	Corner C & D	2	0	1	0	15	17	2	4	1	4	0	0								
	Crosswalk (A-B-C)	6	5	10	21	26	24	9	13	8	11	15	18								
	Crosswalk (C-D-A)	2	3	3	5	8	9	23	26	4	2	21	10								
Tenth Ave & W. 41st St	Sidewalk A	32	14	19	24	27	13	26	32	30	17	19	17								
	Sidewalk B	20	41	44	7	50	48	60	42	50	32	34	28								
	Sidewalk C	4	2	8	20	26	34	35	35	7	19	35	27								
	Sidewalk D	5	13	0	0	16	19	2	8	24	16	3	8								
	Corner A & B	3	4	3	8	2	6	22	20	3	4	11	4								
	Corner C & D	0	0	0	0	3	1	0	0	7	1	1	2								
	Crosswalk (A-B-C)	42	9	9	27	41	19	29	26	40	18	37	19								
	Crosswalk (C-D-A)	2	1	6	15	23	22	32	33	8	8	19	15								
Tenth Ave & W. 42nd St	Sidewalk A	134	68	13	11	161	78	47	52	197	101	25	41								
	Sidewalk B	23	42	154	88	57	52	161	122	33	69	160	157								
	Sidewalk C	105	57	23	29	112	106	31	32	130	95	28	34								
	Sidewalk D	37	19	57	35	36	34	93	83	17	31	87	67								
	Corner A & B	16	10	13	10	13	10	33	21	10	7	26	30								
	Corner C & D	9	3	4	3	0	5	0	0	22	66	1	1								
	Crosswalk (A-B-C)	141	71	22	36	165	103	36	46	168	128	20	66								
	Crosswalk (C-D-A)	86	46	19	22	111	100	41	51	98	86	27	31								
Dyer Ave & W. 42nd St	Sidewalk A	83	68	0	0	57	48	0	0	143	81	0	0								
	Sidewalk B	0	0	104	66	0	0	71	54	0	0	148	121								
	Sidewalk C	33	51	3	5	43	54	1	2	70	59	11	5								
	Sidewalk D	1	0	43	30	1	4	43	45	3	1	76	44								
	Corner A & B	0	0	0	0	0	0	0	0	0	0	0	0								
	Corner C & D	3	0	0	0	0	1	0	0	0	4	0	0								
	Crosswalk (A-B-C)	98	66	4	5	72	55	1	5	147	122	4	7								
	Crosswalk (C-D-A)	38	37	5	2	44	45	3	2	76	74	9	10								
Ninth Ave & W. 30th St	Sidewalk A	19	13	211	25	73	105	133	158	21	34	44	70	8	3	28	9	40	41	128	48
	Sidewalk B	142	54	26	26	280	312	12	36	89	123	12	39	40	43	6	16	150	121	29	31
	Sidewalk C	45	25	50	49	31	28	164	172	21	49	63	78	9	12	28	32	78	19	93	73
	Sidewalk D	68	48	254	28	151	155	59	56	62	59	22	88	20	12	25	13	63	101	133	27
	Corner A & B	7	0	3	13	3	1	10	13	3	4	8	11	5	0	1	5	1	13	8	16
	Corner C & D	16	7	7	19	2	8	10	2	4	5	18	4	2	3	4	3	0	18	16	51
	Crosswalk (A-B-C)	63	24	81	35	78	114	168	211	25	38	67	101	8	13	22	33	60	42	89	76
	Crosswalk (C-D-A)	86	13	223	37	40	43	143	152	16	54	42	70	10	10	21	9	95	22	91	53
Ninth Ave & W. 31st St	Sidewalk A	20	38	66	57	72	98	43	43	17	20	22	35	5	6	8	21	56	45	21	12
	Sidewalk B	55	38	94	53	6	12	426	558	41	40	107	113	15	24	12	13	109	11	194	235
	Sidewalk C	88	130	146	50	51	52	220	274	86	36	126	115	16	12	34	36	14	7	105	93
	Sidewalk D	34	24	34	49	160	179	86	61	45	54	61	6	11	26	5	2	61	56	3	8
	Corner A & B	4	10	5	29	1	0	9	5	39	116	39	116	2	0	0	1	5	1	9	59
	Corner C & D	46	47	4	9	9	2	49	52	33	114	17	68	7	9	0	0	2	3	3	3
	Crosswalk (A-B-C)	20	27	74	90	149	197	283	353	37	42	87	106	3	4	20	32	79	77	161	113
	Crosswalk (C-D-A)	60	81	59	25	102	122	95	110	55	25	28	45	9	5	8	24	30	42	32	29
Ninth Ave & W. 33rd St	Sidewalk A	20	93	34	156	101	151	105	149	24	27	177	20	12	8	22	13	34	45	32	33
	Sidewalk B	65	100	27	121	285	261	93	152	112	73	23	16	45	45	14	11	153	148	38	40
	Sidewalk C	153	353	37	25	538	623	66	93	156	279	3	43	59	34	26	24	206	201	59	31
	Sidewalk D	29	72	69	324	92	138	183	224	52	12	87	71	14	7	64	19	15	19	62	84
	Corner A & B	2	28	15	53	2	5	29	55	95	80	131	80	5	0	10	7	4	1	37	35
	Corner C & D	12	7	1	4	12	33	19	29	67	163	59	53	1	2	0	1	3	4	0	2
	Crosswalk (A-B-C)	35	151	75	91	133	153	344	389												

**Appendix S.5.2**  
**PEDESTRIAN VOLUMES (SIDEWALKS, CORNERS, AND CROSSWALKS)**  
**2010 FUTURE WITHOUT THE PROPOSED ACTION**

Intersection	Elements	Weekday AM Peak 15-Min.				Weekday MD Peak 15-Min.				Weekday PM Peak 15-Min.				Special Events Evening Peak 15-Min.				Special Events Sunday Peak 15-Min.			
Ninth Ave & W. 34th St	Sidewalk A	65	80	70	73	143	153	142	170	108	89	165	109	28	24	26	47	65	55	27	62
	Sidewalk B	85	85	73	164	231	176	160	129	160	132	264	104	31	67	59	70	102	98	119	89
	Sidewalk C	87	138	33	109	179	156	346	304	287	79	166	159	89	63	49	42	148	109	161	171
	Sidewalk D	35	121	52	153	129	239	155	136	224	60	200	75	25	14	51	24	40	33	83	63
	Corner A & B	145	193	137	191	33	40	17	12	87	170	83	164	1	6	24	14	1	4	11	8
	Corner C & D	127	130	114	112	64	78	43	71	64	139	56	107	20	24	5	4	44	52	9	6
	Crosswalk (A-B-C)	100	136	61	146	170	142	288	259	376	135	181	200	52	35	42	51	103	72	141	129
	Crosswalk (C-D-A)	71	212	37	97	135	152	124	147	230	104	222	73	41	43	26	19	96	78	23	33
Ninth Ave & W. 37th St	Sidewalk A	17	14	32	248	44	47	41	252	66	17	85	222								
	Sidewalk B	61	109	14	77	123	121	31	104	148	97	50	81								
	Sidewalk C	23	26	78	112	29	34	162	112	42	23	204	73								
	Sidewalk D	21	236	12	15	57	243	40	21	40	233	55	11								
	Corner A & B	6	71	8	6	11	73	13	12	15	68	6	6								
	Corner C & D	14	14	4	1	16	14	2	3	7	10	0	6								
	Crosswalk (A-B-C)	10	10	62	97	39	50	136	109	80	22	203	80								
	Crosswalk (C-D-A)	12	9	31	239	41	21	43	248	53	14	69	220								
Ninth Ave & W. 38th St	Sidewalk A	4	4	23	42	15	19	60	92	26	12	46	73								
	Sidewalk B	42	73	1	24	46	60	25	27	47	71	38	50								
	Sidewalk C	14	21	80	69	13	23	41	50	15	10	82	90								
	Sidewalk D	24	18	12	6	62	44	19	33	42	48	13	9								
	Corner A & B	2	7	1	8	9	8	5	10	7	4	9	9								
	Corner C & D	4	6	0	1	12	11	0	5	4	5	1	3								
	Crosswalk (A-B-C)	13	2	77	75	13	8	53	54	24	23	108	65								
	Crosswalk (C-D-A)	5	10	41	25	10	13	55	67	20	20	50	29								
Ninth Ave & W. 39th St	Sidewalk A	16	25	26	57	24	30	48	60	27	25	92	50								
	Sidewalk B	48	145	24	21	99	93	36	54	194	92	39	39								
	Sidewalk C	30	25	42	110	54	49	111	94	41	42	194	91								
	Sidewalk D	47	45	14	11	87	61	28	23	92	62	22	23								
	Corner A & B	2	10	8	6	0	4	6	8	6	4	7	5								
	Corner C & D	10	3	0	4	7	18	0	3	7	7	3	4								
	Crosswalk (A-B-C)	19	21	40	118	34	37	109	82	44	46	201	99								
	Crosswalk (C-D-A)	31	19	24	51	63	38	35	34	47	42	89	38								
Ninth Ave & W. 42nd St	Sidewalk A	177	69	95	83	185	135	193	144	270	145	194	158								
	Sidewalk B	94	109	185	129	144	137	207	174	173	164	280	221								
	Sidewalk C	184	149	139	134	212	256	154	118	211	217	192	158								
	Sidewalk D	42	37	140	60	100	120	148	131	92	93	138	138								
	Corner A & B	14	17	11	20	25	32	23	30	17	37	21	38								
	Corner C & D	32	11	5	6	30	33	2	8	24	24	11	5								
	Crosswalk (A-B-C)	196	88	106	154	197	167	155	163	294	215	174	242								
	Crosswalk (C-D-A)	152	109	107	78	188	208	147	129	186	181	184	196								
Eighth Ave & W. 30th St	Sidewalk A	51	20	95	92	33	46	196	260	24	51	133	141	17	32	67	59	56	44	127	120
	Sidewalk B	107	246	33	13	170	223	64	93	235	185	56	89	156	105	26	57	116	126	37	35
	Sidewalk C	45	25	52	115	54	66	117	81	21	34	183	102	11	27	78	31	17	16	74	71
	Sidewalk D	77	82	29	12	134	172	27	31	112	111	21	43	77	56	21	26	80	66	35	37
	Corner A & B	28	12	40	13	17	20	36	38	9	28	42	56	9	20	18	39	29	23	19	8
	Corner C & D	12	8	0	11	16	14	10	10	5	9	0	3	5	1	4	2	1	7	16	9
	Crosswalk (A-B-C)	18	52	56	127	39	53	120	125	27	44	187	125	10	16	64	33	31	29	75	73
	Crosswalk (C-D-A)	33	16	69	73	33	53	112	136	20	37	113	119	19	12	61	45	21	19	84	70
Eighth Ave & W. 31st St	Sidewalk A	149	92	52	140	292	195	43	170	157	71	89	194	65	19	65	99	137	85	70	105
	Sidewalk B	36	98	119	213	87	66	265	173	117	95	214	98	68	53	101	25	135	136	185	122
	Sidewalk C	14	23	53	79	47	46	164	87	19	29	131	34	0	20	142	68	23	16	110	98
	Sidewalk D	54	53	30	94	145	120	93	65	69	87	59	68	119	123	69	55	82	84	14	9
	Corner A & B	19	37	21	16	26	42	30	26	26	21	30	22	20	9	36	78	8	9	35	31
	Corner C & D	11	7	21	10	6	6	26	31	6	6	16	18	1	3	40	53	6	9	2	2
	Crosswalk (A-B-C)	126	144	81	206	281	195	110	164	219	99	128	132	81	61	119	75	119	79	131	74
	Crosswalk (C-D-A)	34	84	83	92	80	121	172	189	60	82	151	111	31	27	62	60	48	42	100	90
Eighth Ave & W. 33rd St	Sidewalk A	142	290	360	376	192	168	638	400	97	126	705	272	41	27	236	146	116	45	329	228
	Sidewalk B	161	152	219	209	200	128	190	148	352	84	203	190	85	233	69	119	299	252	109	116
	Sidewalk C	208	275	225	127	462	422	231	187	319	386	186	331	108	253	160	229	223	209	100	80
	Sidewalk D	165	166	268	205	277	197	743	586	305	100	583	241	145	78	186	65	159	81	289	199
	Corner A & B	17	16	29	16	37	22	69	54	56	40	51	56	7	7	32	28	32	12	45	38
	Corner C & D	30	23	21	29	68	80	65	72	39	80	55	63	23	26	40	26	121	62	14	20
	Crosswalk (A-B-C)	299	238	283	132	234	258	351	310	534	232	633	169	73	130	127	265	139	120	186	235
	Crosswalk (C-D-A)	425	269	706	338	633	405	575	372	471	293	728	222	219	130	375	190	252	176	321	162
Eighth Ave & W. 34th St	Sidewalk A	215	90	75	143	164	109	240	241	248	147	285	171	88	76	38	54	176	110	166	156
	Sidewalk B	144	89	112	158	117	99	217	222	170	95	161	243	102	124	147	247	231	221	308	275
	Sidewalk C	79	136	168	41	141	146	125	76	165	120	167	74	137	73	36	49	254	186	168	206
	Sidewalk D	212	157	104	68	384	261	125	61	390	203	155	66	202	64	38	49	280	153	242	215
	Corner A & B	26	31	49	48	37	42	54	58	53	53	108	111	84	179	763	906	11	22	112	32
	Corner C & D	20	16	21	16	49	26	19	26	53	31	42	42	119	239	143	54	22	23	42	19
	Crosswalk (A-B-C)	173	156	167	139	356	291	262	224	396	248	230	338	101	60	167	255	231	135	181	109
	Crosswalk (C-D-A)	137	190	189	169	210	236	398	365	250	156	433	245	725	859	98	59	347	150	192	183
Eighth Ave & W. 37th St	Sidewalk A	21	39	208	227	179	109	78	123	42	30	263	193								
	Sidewalk B	148	274	102	34	216	246	64	63	386	350	27	103								
	Sidewalk C	54	24	171	174	65	138	82	84	74	53	296	226								
	Sidewalk D	171	235	46	26	222	117	150	64	415	243	69	90								
	Corner A & B	14	18	66	33	24	23	23	22	24	16	18	14								
	Corner C & D	21	25	24	26	25	18	29	29	73	21	91	30								
	Crosswalk (A-B-C)	51	40																		

**Appendix S.5.2**  
**PEDESTRIAN VOLUMES (SIDEWALKS, CORNERS, AND CROSSWALKS)**  
**2010 FUTURE WITHOUT THE PROPOSED ACTION**

Intersection	Elements	Weekday AM Peak 15-Min.				Weekday MD Peak 15-Min.				Weekday PM Peak 15-Min.				Special Events Evening Peak 15-Min.				Special Events Sunday Peak 15-Min.			
<b>Eighth Ave &amp; W. 39th St</b>	Sidewalk A	52	72	54	539	118	76	261	386	115	38	651	216								
	Sidewalk B	81	1268	229	55	277	470	137	174	890	320	30	132								
	Sidewalk C	129	47	127	430	134	209	317	259	47	180	623	192								
	Sidewalk D	152	584	76	68	432	329	144	86	807	168	81	44								
	Corner A & B	12	24	54	22	26	41	32	36	21	27	9	87								
	Corner C & D	37	20	17	53	36	67	24	28	12	21	11	17								
	Crosswalk (A-B-C)	109	21	99	628	104	98	227	296	59	79	467	310								
Crosswalk (C-D-A)	66	78	129	470	94	683	363	315	69	148	1051	162									
<b>Eighth Ave &amp; W. 42nd St</b>	Sidewalk A	422	265	611	153	359	280	262	295	408	536	256	1426								
	Sidewalk B	446	151	305	88	282	315	400	296	395	369	311	224								
	Sidewalk C	977	311	554	136	556	428	476	511	668	1158	441	714								
	Sidewalk D	748	88	354	93	342	373	334	270	227	1517	408	426								
	Corner A & B	41	42	56	44	4	42	69	102	24	162	92	179								
	Corner C & D	7	224	41	38	24	109	85	75	38	69	56	88								
	Crosswalk (A-B-C)	243	356	426	132	266	226	422	385	491	272	560	648								
Crosswalk (C-D-A)	1172	216	861	217	379	401	297	307	413	1085	239	1221									
<b>Seventh Ave &amp; W. 31st St</b>	Sidewalk A	131	115	80	485	212	184	248	293	300	185	411	314								
	Sidewalk B	299	584	325	201	366	185	117	205	423	234	286	397								
	Sidewalk C	159	123	102	341	148	133	179	148	232	331	316	323								
	Sidewalk D	97	703	107	55	296	233	50	39	248	271	205	207								
	Corner A & B	16	1	138	18	16	15	131	34	17	22	100	37								
	Corner C & D	10	48	19	42	37	37	11	16	26	26	26	21								
	Crosswalk (A-B-C)	392	198	103	294	247	200	211	286	347	365	288	260								
Crosswalk (C-D-A)	135	173	98	402	129	115	155	176	252	331	339	275									
<b>Seventh Ave &amp; W. 33rd St</b>	Sidewalk A	188	220	191	390	244	200	340	273	221	351	290	335								
	Sidewalk B	280	415	275	142	308	443	224	173	267	433	268	322								
	Sidewalk C	385	178	360	233	269	265	337	248	296	317	283	246								
	Sidewalk D	538	210	214	320	276	248	378	336	282	417	277	432								
	Corner A & B	42	26	36	61	16	31	63	98	26	16	32	79								
	Corner C & D	26	63	63	37	48	63	42	42	53	26	31	53								
	Crosswalk (A-B-C)	346	292	329	263	273	307	314	307	347	470	281	347								
Crosswalk (C-D-A)	465	423	300	338	382	405	300	335	335	480	322	412									
<b>Seventh Ave &amp; W. 34th St</b>	Sidewalk A	187	67	447	120	228	180	244	228	728	331	427	602								
	Sidewalk B	571	66	171	172	174	155	308	208	258	762	854	127								
	Sidewalk C	461	330	208	186	221	185	229	185	307	490	266	595								
	Sidewalk D	183	184	984	118	140	145	153	182	413	360	340	563								
	Corner A & B	210	31	33	104	331	372	287	318	538	494	500	437								
	Corner C & D	72	51	43	32	272	271	195	221	476	379	371	323								
	Crosswalk (A-B-C)	510	111	282	145	362	333	227	242	101	108	97	101								
Crosswalk (C-D-A)	526	194	919	215	225	227	265	270	153	118	87	147									
<b>Sixth Ave &amp; W. 33rd St</b>	Sidewalk A	198	69	205	151	146	79	338	289	186	283	618	490								
	Sidewalk B	221	179	226	42	236	176	113	170	328	268	113	478								
	Sidewalk C	302	84	157	165	211	242	239	237	239	470	241	287								
	Sidewalk D	381	255	232	253	281	323	210	158	583	694	336	519								
	Corner A & B	16	1	16	16	37	37	31	31	32	33	31	74								
	Corner C & D	0	58	29	77	31	31	70	102	63	63	73	139								
	Crosswalk (A-B-C)	319	127	161	199	286	294	289	229	273	516	402	350								
Crosswalk (C-D-A)	344	149	341	157	259	251	330	311	445	615	356	393									
<b>Sixth Ave &amp; W. 34th St</b>	Sidewalk A	12	9	1	1	26	25	9	8	18	22	2	2	0	0	0	0	0	0	0	0
	Sidewalk B	474	365	356	135	801	897	366	539	718	786	598	849	142	155	194	434	439	320	306	235
	Sidewalk C	409	92	382	348	283	295	789	846	563	489	423	535	218	267	230	174	395	341	210	180
	Sidewalk D	0	0	12	9	0	1	26	25	0	0	18	22	0	0	0	0	0	0	0	0
	Corner A & B	1	1	84	47	8	6	184	233	2	2	67	411	0	0	51	141	0	0	84	198
	Corner C & D	40	23	0	0	85	50	0	0	29	18	0	0	16	55	0	0	39	21	0	0
	Crosswalk (A-B-C)	159	417	427	280	806	634	558	705	867	510	304	716	231	129	171	196	295	428	376	322
Crosswalk (C-D-A)	603	80	1	0	799	638	2	2	644	718	0	1	197	297	0	0	483	396	0	0	
<b>Broadway &amp; W. 34th St</b>	Sidewalk A	392	152	724	165	347	482	698	774	719	1220	742	1054	393	272	191	282	433	569	430	384
	Sidewalk B	3	1	12	9	13	11	26	26	3	4	18	22	0	0	0	0	0	0	0	0
	Sidewalk C	12	9	1	1	26	26	7	8	18	22	2	2	0	0	0	0	0	0	0	0
	Sidewalk D	553	331	514	168	850	790	667	393	896	859	837	938	310	274	392	451	553	501	561	520
	Corner A & B	235	49	0	0	127	168	0	0	109	440	0	0	39	64	0	0	97	160	0	0
	Corner C & D	0	0	47	236	0	0	262	368	0	0	517	497	0	0	123	111	0	0	180	55
	Crosswalk (A-B-C)	1065	184	3	1	973	653	5	5	475	1080	1	3	342	169	0	0	319	410	0	0
Crosswalk (C-D-A)	606	81	529	97	647	804	867	971	646	722	731	1038	197	298	261	148	283	296	264	254	

**Appendix S.5.2**  
**PEDESTRIAN VOLUMES (SIDEWALKS, CORNERS, AND CROSSWALKS;**  
**2025 FUTURE WITHOUT THE PROPOSED ACTION**

Intersection	Elements	Weekday		Weekday		Weekday		Special Events		Special Events								
		AM	PM	MD	PM	Evening	Sunday	AM	PM	Sunday	PM							
Rt 9A & West 30th St	Sidewalk A	0	0	23	42	0	0	13	21	0	0	18	15	0	0	21	28	
	Sidewalk B	0	0	0	0	2	0	0	0	0	7	1	1	4	6	4	3	
	Sidewalk C	2	0	2	2	1	0	1	1	1	2	1	1	0	0	1	2	
	Sidewalk D	21	28	0	0	15	21	0	0	33	19	0	0	18	16	0	0	
	Corner A & B	0	0	0	0	0	0	0	0	0	0	4	0	0	0	4	2	
	Corner C & D	0	0	0	0	0	0	0	0	0	0	0	0	0	0	0	0	0
	Crosswalk (A-B-C)	0	0	0	0	0	0	1	2	0	0	0	4	0	0	2	1	
	Crosswalk (C-D-A)	6	2	26	39	1	1	16	33	2	1	30	33	0	0	26	16	
Rt 9A & West 34th St	Sidewalk A	1	1	0	4	0	0	3	4	0	0	0	0	0	0	16	20	
	Sidewalk B	0	0	3	11	0	3	10	17	0	1	8	11	1	0	0	2	
	Sidewalk C	26	21	0	0	57	47	2	0	45	50	0	0	1	2	1	0	
	Sidewalk D	10	1	0	0	2	3	2	0	2	0	0	0	0	0	0	0	0
	Corner A & B	3	0	3	0	8	8	8	8	3	15	3	15	0	0	0	4	
	Corner C & D	3	0	3	0	4	3	4	3	2	10	2	9	0	0	0	0	0
	Crosswalk (A-B-C)	3	8	0	0	9	10	2	0	8	7	7	0	0	0	1	0	
	Crosswalk (C-D-A)	31	19	0	4	59	47	3	4	46	43	0	3	0	0	10	16	
Rt 9A & West 39th St	Sidewalk A	0	0	0	0	0	0	0	0	0	0	0	0					
	Sidewalk B	0	0	0	0	8	4	0	0	3	0	0	0					
	Sidewalk C	14	13	1	2	41	45	10	4	25	35	4	0					
	Sidewalk D	0	0	0	0	0	12	0	0	0	2	0	0					
	Corner A & B	1	2	0	0	0	0	0	0	0	0	0	0					
	Corner C & D	0	0	0	0	0	0	0	0	0	2	0	0					
	Crosswalk (A-B-C)	2	0	0	0	0	0	7	3	0	0	3	0					
	Crosswalk (C-D-A)	23	20	36	47	32	32	32	17	25	35	44	31					
Rt 9A & West 40th St	Sidewalk A	0	0	0	0	0	1	1	0	1	3	0	0					
	Sidewalk B	0	0	0	0	3	0	0	2	2	3	1	2					
	Sidewalk C	0	0	0	0	0	1	2	0	0	0	1	0					
	Sidewalk D	0	0	0	0	0	0	0	0	0	0	0	0					
	Corner A & B	0	0	0	0	0	0	0	1	0	0	0	1					
	Corner C & D	0	0	0	0	1	0	0	0	0	0	0	0					
	Crosswalk (A-B-C)	0	0	2	0	0	0	1	4	0	0	1	0					
	Crosswalk (C-D-A)	0	2	28	50	0	1	21	19	1	2	47	39					
Rt 9A & West 42nd St	Sidewalk A	2	0	3	0	2	7	0	0	30	0	0	0					
	Sidewalk B	4	11	26	34	9	17	58	68	3	26	60	54					
	Sidewalk C	33	39	1	4	54	55	7	2	64	50	10	8					
	Sidewalk D	2	3	0	3	0	0	2	2	0	8	1	0					
	Corner A & B	0	0	4	6	3	0	13	4	25	0	6	0					
	Corner C & D	4	0	0	0	0	1	0	0	2	4	0	0					
	Crosswalk (A-B-C)	24	30	2	9	50	63	9	5	57	53	2	24					
	Crosswalk (C-D-A)	28	33	35	49	49	51	38	38	38	46	16	17					
Eleventh Ave & West 29th	Sidewalk A	0	0	3	2	2	1	18	24	0	4	9	14					
	Sidewalk B	15	7	2	5	31	90	11	6	7	41	6	1					
	Sidewalk C	4	8	19	11	12	3	41	77	9	2	11	36					
	Sidewalk D	2	1	0	0	22	22	0	0	6	13	6	2					
	Corner A & B	0	0	0	0	0	0	2	1	0	1	0	0					
	Corner C & D	0	4	0	0	3	4	0	0	2	3	1	0					
	Crosswalk (A-B-C)	1	2	13	6	0	1	32	81	0	0	7	37					
	Crosswalk (C-D-A)	0	0	3	3	2	1	20	25	2	0	9	12					
Eleventh Ave & West 30th	Sidewalk A	2	0	2	2	11	6	14	22	2	7	9	9	0	0	0	5	
	Sidewalk B	16	8	9	4	19	86	74	93	9	48	13	17	8	9	6	2	
	Sidewalk C	4	2	19	8	9	1	46	110	7	0	24	47	3	1	4	6	
	Sidewalk D	3	5	1	0	30	34	3	2	11	15	6	0	1	1	0	1	
	Corner A & B	0	6	1	4	19	16	24	18	4	15	4	11	0	0	3	0	
	Corner C & D	0	3	0	4	16	10	16	10	2	9	2	9	0	0	0	0	
	Crosswalk (A-B-C)	5	2	5	2	35	46	44	48	6	7	16	11	1	1	2	2	
	Crosswalk (C-D-A)	0	0	5	2	2	1	27	43	0	0	11	8	2	1	1	2	
Eleventh Ave & West 33rd	Sidewalk A	0	1	1	9	2	0	6	5	0	0	2	4	0	0	1	2	
	Sidewalk B	15	15	10	5	113	125	81	107	27	43	18	27	19	6	4	14	
	Sidewalk C	2	0	10	6	0	2	8	47	2	1	9	25	2	0	2	6	
	Sidewalk D	2	4	1	4	4	5	0	0	1	4	1	0	3	3	0	1	
	Corner A & B	0	0	5	11	1	0	97	82	0	0	21	19	0	0	4	10	
	Corner C & D	0	0	0	0	1	0	0	0	0	1	0	0	0	0	1	0	
	Crosswalk (A-B-C)	0	0	10	6	1	2	7	46	0	0	7	25	0	0	2	5	
	Crosswalk (C-D-A)	2	0	2	9	0	2	3	5	1	1	2	4	0	0	1	1	
Eleventh Ave & West 34th	Sidewalk A	7	20	2	3	15	31	3	8	12	14	3	3	12	6	2	1	
	Sidewalk B	9	10	25	14	98	92	72	60	23	27	42	39	6	10	2	5	
	Sidewalk C	12	11	26	17	35	41	94	110	30	32	24	36	43	1	28	4	
	Sidewalk D	0	0	32	21	7	8	72	50	7	2	51	49	2	1	2	3	
	Corner A & B	1	2	1	1	0	2	9	10	0	0	4	4	2	0	1	0	
	Corner C & D	2	1	0	0	1	9	1	1	0	8	1	0	1	27	3	2	
	Crosswalk (A-B-C)	17	11	22	20	43	43	96	103	32	30	20	30	3	6	4	10	
	Crosswalk (C-D-A)	14	16	11	10	38	29	28	30	27	26	21	23	9	1	0	7	
Eleventh Ave & West 35th	Sidewalk A	0	0	4	3	0	0	6	9	0	0	7	7					
	Sidewalk B	8	9	0	0	85	73	1	0	17	16	2	0					
	Sidewalk C	2	0	4	8	1	9	85	73	0	0	18	13					
	Sidewalk D	4	3	0	0	6	6	0	0	5	4	0	0					
	Corner A & B	0	0	0	1	0	0	0	1	0	0	2	0					
	Corner C & D	0	1	0	0	0	0	0	0	0	0	0	0					
	Crosswalk (A-B-C)	0	1	6	9	1	6	85	73	1	2	18	15					
	Crosswalk (C-D-A)	0	0	4	3	2	2	6	8	0	1	5	7					
Eleventh Ave & West 36th	Sidewalk A	0	0	4	2	0	0	1	11	0	0	4	6					
	Sidewalk B	4	9	0	0	77	66	1	1	15	18	1	0					
	Sidewalk C	4	1	4	8	2	2	75	65	3	1	15	16					
	Sidewalk D	6	4	0	0	3	8	0	0	8	6	0	0					
	Corner A & B	0	0	1	0	0	0	1	0	0	0	1	0					
	Corner C & D	0	0	0	0	0	0	0	0	1	0	0	0					
	Crosswalk (A-B-C)	0	1	4	8	0	1	75	63	0	0	16	15					
	Crosswalk (C-D-A)	3	2	0	0	3	2	2	12	3	0	5	6					

**Appendix S.5.2**  
**PEDESTRIAN VOLUMES (SIDEWALKS, CORNERS, AND CROSSWALKS)**  
**2025 FUTURE WITHOUT THE PROPOSED ACTION**

Intersection	Elements	Weekday AM Peak 15-Min.				Weekday MD Peak 15-Min.				Weekday PM Peak 15-Min.				Special Events Evening Peak 15-Min.				Special Events Sunday Peak 15-Min.			
Eleventh Ave & West 37th	Sidewalk A	2	2	0	1	1	1	0	0	0	0	0	3								
	Sidewalk B	3	7	0	0	65	70	3	6	20	19	0	0								
	Sidewalk C	1	0	3	7	2	4	63	53	0	1	13	10								
	Sidewalk D	0	0	0	0	4	3	0	3	0	8	1	3								
	Corner A & B	0	1	0	0	0	0	0	1	0	0	4	2								
	Corner C & D	0	1	0	0	1	0	0	0	1	0	0	0								
	Crosswalk (A-B-C)	0	2	4	7	2	0	63	61	2	1	14	11								
	Crosswalk (C-D-A)	0	0	1	3	7	10	0	0	0	0	0	0								
Eleventh Ave & West 38th	Sidewalk A	0	0	1	2	1	2	1	0	0	0	1	0								
	Sidewalk B	0	1	2	2	4	4	0	1	1	1	0	0								
	Sidewalk C	0	1	3	5	0	6	52	44	0	2	11	8								
	Sidewalk D	0	0	4	0	0	0	3	2	0	0	12	1								
	Corner A & B	0	0	0	0	0	0	0	0	0	0	0	0								
	Corner C & D	0	0	0	0	0	0	0	0	0	0	0	0								
	Crosswalk (A-B-C)	0	0	0	1	15	2	11	7	0	0	1	1								
	Crosswalk (C-D-A)	0	0	0	2	1	0	4	2	0	9	0	0								
Eleventh Ave & West 39th	Sidewalk A	0	1	2	84	6	8	7	2	2	2	2	2	1	0	0	0	0	0	1	7
	Sidewalk B	1	2	0	0	0	0	1	21	3	1	0	1	0	0	6	0	0	1	4	0
	Sidewalk C	14	18	6	4	30	31	3	3	23	29	1	1	3	4	1	0	57	41	2	2
	Sidewalk D	1	44	15	12	8	0	30	30	1	1	24	29	0	0	1	0	15	7	48	37
	Corner A & B	0	1	0	1	0	0	0	0	6	0	6	0	9	4	0	3	0	0	0	0
	Corner C & D	0	1	0	1	0	0	0	0	4	0	2	0	0	4	0	0	2	0	0	0
	Crosswalk (A-B-C)	0	1	4	0	16	6	3	0	0	0	2	1	0	0	0	0	11	0	2	1
	Crosswalk (C-D-A)	14	12	3	81	30	32	7	3	23	28	4	0	0	9	9	4	63	38	13	8
Eleventh Ave & West 40th	Sidewalk A	4	8	13	17	3	0	2	1	6	0	71	11								
	Sidewalk B	4	1	1	2	1	2	3	2	23	0	0	0								
	Sidewalk C	0	1	0	0	0	1	2	3	1	7	11	7								
	Sidewalk D	8	9	0	1	13	18	4	4	109	2	1	0								
	Corner A & B	9	12	8	7	0	7	0	3	0	0	0	0								
	Corner C & D	7	7	7	7	0	3	0	3	0	0	0	0								
	Crosswalk (A-B-C)	0	1	1	0	3	0	0	6	0	0	0	0								
	Crosswalk (C-D-A)	0	0	11	7	0	6	9	3	9	11	19	0								
Eleventh Ave & West 42nd	Sidewalk A	100	29	2	43	125	82	3	21	129	75	5	61	79	7	1	25	148	82	18	23
	Sidewalk B	12	17	121	27	4	3	135	90	0	14	172	80	0	19	101	8	23	10	162	107
	Sidewalk C	79	29	1	9	82	64	15	4	78	74	1	0	26	17	4	4	105	90	8	1
	Sidewalk D	59	28	48	22	44	30	68	60	48	39	57	60	34	27	15	6	53	34	99	86
	Corner A & B	0	0	0	0	0	0	0	0	0	0	0	0	0	6	10	0	2	0	6	11
	Corner C & D	3	0	0	0	2	6	4	1	1	1	7	0	2	2	0	0	2	3	0	1
	Crosswalk (A-B-C)	109	30	25	35	133	88	34	13	151	78	19	24	87	10	18	27	156	90	25	19
	Crosswalk (C-D-A)	86	23	59	41	89	61	24	35	89	73	32	49	41	19	16	29	119	88	38	33
Tenth Ave & W. 29th St	Sidewalk A	11	9	39	20	21	40	33	110	6	23	10	77								
	Sidewalk B	18	12	21	14	18	71	10	68	12	46	6	55								
	Sidewalk C	18	13	17	8	34	54	28	72	10	36	6	47								
	Sidewalk D	68	26	20	15	32	174	11	49	12	135	11	43								
	Corner A & B	3	4	1	2	4	8	1	2	7	8	3	2								
	Corner C & D	1	2	6	7	3	1	2	6	6	1	8	4								
	Crosswalk (A-B-C)	21	14	21	16	11	64	25	97	3	53	10	45								
	Crosswalk (C-D-A)	38	15	52	19	9	103	28	140	6	77	17	100								
Tenth Ave & W. 30th St	Sidewalk A	11	5	33	16	83	105	56	118	17	26	14	69	2	3	11	14	27	26	42	44
	Sidewalk B	25	10	13	8	42	112	65	105	9	61	15	36	9	12	3	3	41	44	38	36
	Sidewalk C	11	13	25	17	14	45	34	80	11	27	8	48	7	6	7	14	19	23	32	33
	Sidewalk D	45	20	13	6	37	142	16	43	12	94	10	31	14	22	9	7	61	65	19	26
	Corner A & B	3	1	0	0	20	21	1	0	2	4	1	0	0	0	0	0	1	1	0	0
	Corner C & D	0	0	1	0	0	0	0	3	0	0	1	0	2	0	1	1	0	1	0	0
	Crosswalk (A-B-C)	18	11	26	16	64	124	33	84	15	51	5	47	4	7	7	11	47	46	32	34
	Crosswalk (C-D-A)	14	12	41	18	9	49	36	136	11	32	15	90	6	7	14	18	20	24	60	65
Tenth Ave & W. 31st St	Sidewalk A	0	0	34	9	0	0	6	64	0	0	17	67	0	0	11	12	0	0	36	37
	Sidewalk B	32	18	18	14	24	81	118	131	11	51	20	33	5	11	3	3	25	28	31	32
	Sidewalk C	8	5	33	17	9	12	37	123	10	9	15	72	3	5	8	14	7	7	44	46
	Sidewalk D	39	10	0	0	61	118	0	0	22	75	0	0	9	13	0	0	33	40	0	0
	Corner A & B	0	0	4	8	0	0	23	15	0	0	2	8	0	0	0	0	0	0	2	3
	Corner C & D	2	3	0	0	2	10	0	0	3	12	0	0	2	2	0	0	4	5	0	0
	Crosswalk (A-B-C)	6	2	31	16	58	63	37	113	6	9	9	63	1	4	6	10	10	10	38	42
	Crosswalk (C-D-A)	2	0	8	1	6	0	6	8	1	0	16	16	2	2	3	4	0	0	3	3
Tenth Ave & W. 33rd St	Sidewalk A	13	19	24	42	191	180	58	79	32	32	13	39	4	9	15	3	37	36	34	33
	Sidewalk B	23	24	24	19	66	83	96	117	28	32	26	30	12	12	4	7	25	33	36	37
	Sidewalk C	50	23	22	13	188	252	7	52	45	93	23	36	14	30	10	9	69	81	22	32
	Sidewalk D	29	17	29	13	11	66	97	121	9	56	22	31	22	11	2	4	34	41	27	33
	Corner A & B	0	2	1	3	12	12	13	4	6	2	3	6	0	0	0	0	0	2	2	2
	Corner C & D	3	8	2	0	4	10	9	2	6	10	1	1	2	2	1	0	10	5	0	0
	Crosswalk (A-B-C)	21	24	25	19	143	158	91	102	20	28	24	37	4	14	20	7	28	30	24	27
	Crosswalk (C-D-A)	41	22	23	12	150	181	71	140	29	77	27	42	9	15	5	5	48	55	37	39
Tenth Ave & W. 34th St	Sidewalk A	34	97	17	17	113	105	71	83	84	39	18	44	18	24	8	13	58	56	24	22
	Sidewalk B	14	24	24	93	59	66	119	127	26	24	84	52	12	26	24	29	18	21	76	74
	Sidewalk C	41	124	36	25	99	93	97	106	105	71	37	49	50	27	15	13	46	47	31	31
	Sidewalk D	14	17	19	77	60	75	77	56	16	22	100	42	10	14	38	18	19	22	40	33
	Corner A & B	7	3	2	9	3	4	6	6	8	2	14	8	1	10	4	6	1	0	4	3
	Corner C & D	15	12	3	2	37	40	4	9	15	41	7	10	5	7	1	1	6	8	0	2
	Crosswalk (A-B-C)	22	97	19	22	125	115	61	73	88	47	30	29	14	17	13	20	65	63	27	22
	Crosswalk (C-D-A)	21	76	17	18	72	68	71	78	97	36	26	34	37	27	5	8	42	35	20	23
Tenth Ave & W. 35th St	Sidewalk A	2	33	9	9																

**Appendix S.5.2**  
**PEDESTRIAN VOLUMES (SIDEWALKS, CORNERS, AND CROSSWALKS)**  
**2025 FUTURE WITHOUT THE PROPOSED ACTION**

Intersection	Elements	Weekday AM Peak 15-Min.				Weekday MD Peak 15-Min.				Weekday PM Peak 15-Min.				Special Events Evening Peak 15-Min.				Special Events Sunday Peak 15-Min.				
Tenth Ave & W. 36th St	Sidewalk A	3	13	8	4	29	32	38	44	3	4	17	21									
	Sidewalk B	12	4	3	13	29	38	29	23	21	19	14	6									
	Sidewalk C	0	19	15	4	18	23	32	32	26	9	23	22									
	Sidewalk D	8	5	0	13	40	35	9	18	17	24	22	3									
	Corner A & B	0	0	0	0	2	9	8	0	0	0	1	1									
	Corner C & D	0	0	0	0	1	2	3	0	1	0	0	3									
	Crosswalk (A-B-C)	2	14	87	30	35	32	33	23	25	7	22	24									
	Crosswalk (C-D-A)	15	61	44	34	15	20	38	42	92	1	20	51									
Tenth Ave & W. 37th St	Sidewalk A	11	5	8	4	30	32	24	31	6	15	14	10									
	Sidewalk B	21	10	7	18	44	34	21	25	22	13	17	5									
	Sidewalk C	13	22	10	12	15	23	21	28	11	8	19	16									
	Sidewalk D	2	5	9	9	27	29	8	6	8	13	6	10									
	Corner A & B	1	1	3	3	2	2	6	3	6	2	7	11									
	Corner C & D	10	9	3	1	9	6	2	2	0	1	3	4									
	Crosswalk (A-B-C)	11	19	11	33	27	29	33	33	20	12	12	14									
	Crosswalk (C-D-A)	6	3	16	13	15	12	30	36	8	15	7	14									
Tenth Ave & W. 38th St	Sidewalk A	8	7	9	13	11	9	19	29	28	8	10	14									
	Sidewalk B	9	13	4	12	33	28	21	25	11	15	12	9									
	Sidewalk C	1	3	6	5	7	12	22	26	10	8	18	11									
	Sidewalk D	10	7	2	3	23	25	11	10	16	6	12	4									
	Corner A & B	0	2	0	3	1	6	6	7	1	1	0	1									
	Corner C & D	0	0	1	0	3	4	2	3	0	1	2	2									
	Crosswalk (A-B-C)	6	3	2	10	16	21	25	26	12	5	18	13									
	Crosswalk (C-D-A)	0	3	3	12	10	13	23	22	15	4	14	11									
Tenth Ave & W. 39th St	Sidewalk A	8	7	5	6	23	23	23	28	14	16	7	10									
	Sidewalk B	9	11	8	7	27	34	23	23	13	14	14	18									
	Sidewalk C	8	16	14	14	25	18	28	31	25	15	26	10									
	Sidewalk D	5	9	7	8	30	29	22	19	9	10	19	18									
	Corner A & B	0	0	0	0	0	0	1	0	0	0	0	0									
	Corner C & D	8	0	0	0	1	1	2	0	0	2	1	0									
	Crosswalk (A-B-C)	8	7	14	8	23	23	28	34	14	17	22	11									
	Crosswalk (C-D-A)	7	13	5	6	19	19	23	28	27	18	16	15									
Tenth Ave & W. 40th St	Sidewalk A	5	3	2	5	20	10	23	21	6	10	22	13									
	Sidewalk B	14	27	5	9	23	28	28	35	26	29	18	22									
	Sidewalk C	4	5	12	26	22	23	32	42	7	5	19	21									
	Sidewalk D	4	5	2	4	23	26	10	8	24	12	2	2									
	Corner A & B	0	0	1	5	6	3	10	7	0	2	10	11									
	Corner C & D	2	0	1	0	15	17	2	4	1	4	0	0									
	Crosswalk (A-B-C)	6	5	11	22	26	24	9	13	8	12	16	19									
	Crosswalk (C-D-A)	2	3	3	5	8	9	23	26	4	2	22	10									
Tenth Ave & W. 41st St	Sidewalk A	48	17	20	25	41	19	27	33	44	24	21	18									
	Sidewalk B	21	43	60	9	52	50	75	47	52	34	48	35									
	Sidewalk C	4	2	10	22	26	35	36	36	7	20	38	29									
	Sidewalk D	5	14	0	0	16	19	2	9	25	17	3	9									
	Corner A & B	3	4	3	8	2	7	23	21	3	4	11	4									
	Corner C & D	0	0	0	0	3	1	0	0	8	1	1	2									
	Crosswalk (A-B-C)	59	11	10	28	56	23	32	27	54	25	40	20									
	Crosswalk (C-D-A)	2	1	6	16	24	23	32	33	9	9	20	16									
Tenth Ave & W. 42nd St	Sidewalk A	172	75	14	12	199	89	48	54	236	115	26	44									
	Sidewalk B	24	45	194	95	60	54	197	135	35	74	196	176									
	Sidewalk C	117	59	24	31	122	111	33	33	142	100	29	36									
	Sidewalk D	40	20	65	37	37	35	102	87	19	33	97	72									
	Corner A & B	17	11	14	11	15	11	34	22	11	8	27	32									
	Corner C & D	10	3	4	3	0	6	0	0	23	71	1	1									
	Crosswalk (A-B-C)	180	78	23	39	202	116	37	48	206	145	21	70									
	Crosswalk (C-D-A)	97	47	20	23	121	105	43	52	109	90	28	32									
Dyer Ave & W. 42nd St	Sidewalk A	89	74	0	0	61	51	0	0	154	87	0	0									
	Sidewalk B	0	0	112	71	0	0	77	58	0	0	160	131									
	Sidewalk C	35	55	3	6	47	58	1	2	76	63	12	6									
	Sidewalk D	1	0	46	32	1	4	47	49	3	1	81	47									
	Corner A & B	0	0	0	0	0	0	0	0	0	0	0	0									
	Corner C & D	3	0	0	0	0	1	0	0	0	4	0	0									
	Crosswalk (A-B-C)	106	71	4	6	78	59	1	6	158	132	4	8									
	Crosswalk (C-D-A)	41	40	6	2	48	49	3	2	81	80	10	11									
Ninth Ave & W. 30th St	Sidewalk A	21	15	231	27	76	117	178	206	22	38	46	80	9	4	30	11	45	46	135	51	
	Sidewalk B	158	58	28	29	325	361	18	52	96	138	14	45	44	47	8	18	163	131	33	36	
	Sidewalk C	50	28	59	53	39	42	203	215	23	56	68	90	11	13	31	35	87	24	100	80	
	Sidewalk D	77	53	277	31	188	189	65	71	70	66	23	102	24	14	26	15	70	109	147	34	
	Corner A & B	8	0	3	14	5	3	11	15	3	4	9	12	6	0	1	6	1	15	9	18	
	Corner C & D	17	8	8	22	2	9	12	2	4	6	22	4	2	3	4	4	0	19	19	56	
	Crosswalk (A-B-C)	68	26	92	38	86	129	209	256	27	43	73	115	9	15	24	37	66	47	97	82	
	Crosswalk (C-D-A)	94	14	244	40	49	58	182	194	19	62	43	79	12	11	22	11	105	27	95	57	
Ninth Ave & W. 31st St	Sidewalk A	31	96	128	72	148	162	110	125	98	23	27	121	14	6	10	32	72	47	25	28	
	Sidewalk B	64	42	119	159	24	34	492	607	49	50	262	121	18	26	31	13	125	21	220	242	
	Sidewalk C	95	141	161	54	61	61	263	323	93	39	136	129	17	13	37	39	15	7	113	101	
	Sidewalk D	41	27	37	52	209	232	94	67	47	64	66	6	13	27	6	2	65	60	3	9	
	Corner A & B	4	11	6	31	1	0	11	7	42	125	42	125	2	0	0	1	6	1	10	64	
	Corner C & D	49	50	4	10	10	2	52	56	36	123	18	74	8	10	0	0	2	3	3	3	
	Crosswalk (A-B-C)	44	135	83	98	235	262	316	390	193	50	92	118	23	5	22	35	105	73	172	120	
	Crosswalk (C-D-A)	64	88	70	27	125	143	163	182	61	26	31	56	10	5	9	26	32	44	35	32	
Ninth Ave & W. 33rd St	Sidewalk A	21	100	40	179	105	158	195	234	26	29	198	23	13	9	27	14	34	47	38	35	
	Sidewalk B	82	117	59	230	322	295	168	202	132	106	151	23	52	50	45	12	171	164	73	44	
	Sidewalk C	212	554	45	28	597	656	88	120	429	307	7	55	103	40	29	26	259	213	71	42	
	Sidewalk D	73	222	120	494	210	222	295	304	256	25	292	92	54	9	106	23	60	25	1		



**Appendix S.5.2**  
**PEDESTRIAN VOLUMES (SIDEWALKS, CORNERS, AND CROSSWALKS)**  
**2025 FUTURE WITHOUT THE PROPOSED ACTION**

Intersection	Elements	Weekday AM Peak 15-Min.				Weekday MD Peak 15-Min.				Weekday PM Peak 15-Min.				Special Events Evening Peak 15-Min.				Special Events Sunday Peak 15-Min.			
Ninth Ave & W. 34th St	Sidewalk A	74	89	76	82	205	217	213	236	126	108	177	117	32	28	27	49	87	76	30	64
	Sidewalk B	103	97	81	177	280	225	211	181	180	177	288	121	34	73	63	77	121	118	141	112
	Sidewalk C	100	168	48	127	203	173	388	343	334	85	191	199	100	69	57	46	164	116	181	189
	Sidewalk D	42	142	56	164	221	331	167	146	248	67	214	78	30	16	55	26	48	37	86	66
	Corner A & B	156	208	147	205	36	44	18	13	94	183	89	176	1	7	26	16	1	4	12	9
	Corner C & D	141	149	123	121	72	85	49	79	82	150	60	115	24	26	6	4	52	56	10	7
	Crosswalk (A-B-C)	112	148	76	159	234	209	325	297	408	156	195	244	56	40	46	56	128	98	157	147
Crosswalk (C-D-A)	79	237	40	110	154	170	203	223	259	112	235	78	47	47	28	20	105	83	26	36	
Ninth Ave & W. 37th St	Sidewalk A	20	15	34	253	52	55	46	259	71	19	91	224								
	Sidewalk B	66	119	16	78	149	147	39	113	164	108	54	83								
	Sidewalk C	24	28	85	123	37	42	195	141	47	24	225	84								
	Sidewalk D	22	240	13	17	81	265	45	25	43	236	60	13								
	Corner A & B	7	72	9	7	12	74	15	13	17	68	7	7								
	Corner C & D	16	16	4	1	19	17	4	5	8	11	0	7								
	Crosswalk (A-B-C)	12	11	68	107	47	59	165	136	87	24	224	91								
Crosswalk (C-D-A)	13	11	33	243	49	28	58	265	58	15	75	222									
Ninth Ave & W. 38th St	Sidewalk A	4	4	24	46	18	22	65	98	28	13	49	80								
	Sidewalk B	45	80	1	27	57	72	28	30	52	78	41	54								
	Sidewalk C	16	23	88	78	16	26	58	68	17	12	92	101								
	Sidewalk D	26	19	13	7	66	47	21	36	45	53	14	10								
	Corner A & B	2	8	1	9	10	9	6	11	8	4	10	10								
	Corner C & D	4	7	0	1	15	14	0	5	5	6	1	3								
	Crosswalk (A-B-C)	15	2	83	82	16	10	69	69	26	24	119	73								
Crosswalk (C-D-A)	5	11	45	28	11	15	59	72	22	21	53	32									
Ninth Ave & W. 39th St	Sidewalk A	17	26	28	61	24	31	50	63	29	26	99	54								
	Sidewalk B	52	155	25	23	105	99	40	59	208	97	41	40								
	Sidewalk C	31	26	46	119	57	54	125	107	43	44	211	99								
	Sidewalk D	48	49	15	11	91	63	28	24	97	66	23	24								
	Corner A & B	2	11	9	7	0	4	7	9	7	4	8	5								
	Corner C & D	11	3	0	4	11	22	0	3	9	9	3	4								
	Crosswalk (A-B-C)	20	23	43	127	35	39	120	91	46	48	217	107								
Crosswalk (C-D-A)	31	20	25	54	65	40	37	36	48	45	95	40									
Ninth Ave & W. 42nd St	Sidewalk A	219	75	102	89	222	148	205	152	315	163	207	169								
	Sidewalk B	101	117	227	140	151	143	247	190	184	175	325	245								
	Sidewalk C	202	159	149	144	229	272	162	124	231	233	205	169								
	Sidewalk D	45	40	154	64	106	128	161	137	99	100	151	146								
	Corner A & B	15	18	12	21	26	33	24	31	18	39	22	41								
	Corner C & D	34	12	6	7	32	36	2	9	25	26	12	6								
	Crosswalk (A-B-C)	239	96	114	164	237	184	163	172	340	238	186	259								
Crosswalk (C-D-A)	167	115	115	84	202	219	156	137	203	193	197	210									
Eighth Ave & W. 30th St	Sidewalk A	56	22	105	100	39	59	218	288	26	58	144	157	19	35	72	64	62	50	139	132
	Sidewalk B	116	265	37	15	189	245	71	109	253	200	61	99	168	113	29	61	124	135	43	40
	Sidewalk C	51	27	57	124	61	80	132	92	23	40	197	111	13	29	84	33	22	20	79	76
	Sidewalk D	87	89	33	14	152	194	32	44	121	125	22	49	83	61	23	29	88	73	40	42
	Corner A & B	30	13	44	15	18	21	39	41	10	30	46	60	10	21	19	42	31	25	20	9
	Corner C & D	13	9	0	12	17	16	11	11	6	10	0	3	6	1	4	2	1	8	17	10
	Crosswalk (A-B-C)	22	56	61	137	45	66	135	140	30	51	201	135	12	18	69	36	36	34	81	77
Crosswalk (C-D-A)	37	19	76	80	38	66	127	155	22	44	121	134	21	13	65	50	26	24	93	78	
Eighth Ave & W. 31st St	Sidewalk A	178	196	60	150	358	239	58	194	303	78	98	215	86	22	71	107	162	87	80	119
	Sidewalk B	39	106	144	319	97	75	321	208	126	104	342	109	73	58	122	27	146	148	215	128
	Sidewalk C	51	27	58	86	54	54	184	101	22	33	142	37	1	22	153	74	25	19	120	106
	Sidewalk D	68	59	32	101	166	141	103	74	76	105	64	74	129	135	75	59	92	97	16	10
	Corner A & B	20	40	22	17	30	47	32	28	28	22	32	23	21	10	39	84	9	10	37	33
	Corner C & D	12	8	22	11	7	7	28	33	7	7	17	19	1	3	44	57	7	10	2	2
	Crosswalk (A-B-C)	152	248	87	222	344	237	127	185	359	110	139	145	102	66	128	80	143	83	142	80
Crosswalk (C-D-A)	39	91	97	101	89	134	194	215	66	91	164	128	33	29	69	67	53	46	111	101	
Eighth Ave & W. 33rd St	Sidewalk A	183	412	432	423	273	217	685	435	233	142	760	456	74	30	249	160	157	49	348	254
	Sidewalk B	179	171	241	253	225	145	227	174	384	103	254	203	93	252	79	124	325	274	123	120
	Sidewalk C	242	393	243	138	517	452	252	205	471	412	201	358	134	264	172	246	258	216	110	87
	Sidewalk D	175	174	359	380	297	222	813	628	309	114	837	363	150	86	233	74	168	93	343	217
	Corner A & B	25	36	31	17	55	31	74	58	86	45	54	60	15	8	34	30	42	13	49	41
	Corner C & D	32	24	22	31	74	86	70	78	42	86	59	68	25	28	44	28	131	67	16	21
	Crosswalk (A-B-C)	328	289	308	143	282	298	376	337	616	246	680	197	85	135	135	285	157	126	200	256
Crosswalk (C-D-A)	478	404	807	375	593	433	606	396	669	314	774	401	255	134	400	208	292	181	340	182	
Eighth Ave & W. 34th St	Sidewalk A	375	196	149	172	390	195	280	262	513	182	333	347	234	84	61	60	359	150	199	176
	Sidewalk B	170	105	152	198	143	113	304	278	202	116	237	271	122	135	189	266	261	240	376	310
	Sidewalk C	114	169	188	55	184	162	143	95	230	128	184	100	177	78	41	57	302	199	184	229
	Sidewalk D	281	190	118	91	418	287	144	69	430	382	191	72	219	71	46	52	303	173	264	231
	Corner A & B	49	48	52	51	67	53	58	62	95	60	116	119	110	193	822	976	36	26	120	35
	Corner C & D	23	23	29	36	54	28	28	29	64	33	71	47	130	258	161	58	25	25	53	20
	Crosswalk (A-B-C)	250	219	195	165	489	358	290	262	540	279	247	401	169	66	180	289	326	163	195	135
Crosswalk (C-D-A)	168	219	281	236	251	260	438	456	305	168	461	505	801	926	104	115	393	160	211	259	
Eighth Ave & W. 37th St	Sidewalk A	22	42	274	250	196	121	86	135	46	33	287	371								
	Sidewalk B	163	297	110	37	235	267	71	71	417	390	30	111								
	Sidewalk C	58	25	188	188	73	151	90	92	75	56	316	257								
	Sidewalk D	233	258	49	28	238	127	164	71												

**Appendix S.5.2**  
**PEDESTRIAN VOLUMES (SIDEWALKS, CORNERS, AND CROSSWALKS)**  
**2025 FUTURE WITHOUT THE PROPOSED ACTION**

Intersection	Elements	Weekday AM Peak 15-Min.				Weekday MD Peak 15-Min.				Weekday PM Peak 15-Min.				Special Events Evening Peak 15-Min.				Special Events Sunday Peak 15-Min.			
<b>Eighth Ave &amp; W. 39th St</b>	Sidewalk A	55	77	110	587	127	80	277	412	124	39	705	409								
	Sidewalk B	86	1366	246	59	294	502	148	188	957	344	33	141								
	Sidewalk C	138	51	141	464	145	225	338	277	50	192	672	220								
	Sidewalk D	213	635	80	73	464	351	154	92	873	344	85	45								
	Corner A & B	13	26	58	23	27	43	35	39	22	29	10	94								
	Corner C & D	40	21	18	57	39	73	26	30	13	22	12	18								
	Crosswalk (A-B-C)	116	25	107	677	112	106	240	315	69	84	503	339								
Crosswalk (C-D-A)	70	86	191	512	100	736	388	337	80	158	1135	343									
<b>Eighth Ave &amp; W. 42nd St</b>	Sidewalk A	481	286	657	161	409	304	275	309	464	584	273	1533								
	Sidewalk B	480	160	354	94	299	333	451	320	424	395	357	247								
	Sidewalk C	1049	327	596	144	589	453	492	530	706	1244	470	765								
	Sidewalk D	805	94	385	100	365	398	358	287	244	1634	439	457								
	Corner A & B	45	46	60	47	4	46	75	110	26	174	99	192								
	Corner C & D	8	241	45	41	26	117	91	81	41	75	60	95								
	Crosswalk (A-B-C)	288	385	458	139	308	246	443	402	552	300	600	694								
Crosswalk (C-D-A)	1266	231	927	230	406	424	313	322	446	1166	254	1312									
<b>Seventh Ave &amp; W. 31st St</b>	Sidewalk A	158	212	86	522	261	217	271	319	435	204	443	338								
	Sidewalk B	321	665	362	261	399	204	142	220	491	255	378	425								
	Sidewalk C	173	133	111	368	162	146	201	166	251	358	340	348								
	Sidewalk D	105	758	116	59	327	258	57	45	268	292	222	224								
	Corner A & B	17	1	141	19	19	17	134	36	18	23	101	39								
	Corner C & D	11	51	20	46	40	40	12	17	28	28	28	22								
	Crosswalk (A-B-C)	440	302	112	317	293	227	235	315	485	398	310	281								
Crosswalk (C-D-A)	146	186	107	434	142	126	175	197	272	358	366	297									
<b>Seventh Ave &amp; W. 33rd St</b>	Sidewalk A	208	264	207	421	283	227	374	302	273	375	312	362								
	Sidewalk B	298	436	300	200	337	473	248	188	287	453	340	349								
	Sidewalk C	426	244	381	251	304	291	361	271	389	344	299	265								
	Sidewalk D	580	226	248	443	301	270	425	358	303	451	427	460								
	Corner A & B	46	29	37	62	25	40	67	101	29	17	34	80								
	Corner C & D	28	68	68	40	51	68	46	46	57	28	33	57								
	Crosswalk (A-B-C)	376	332	356	306	306	332	340	331	401	500	328	373								
Crosswalk (C-D-A)	515	524	327	392	427	433	393	363	457	513	380	443									
<b>Seventh Ave &amp; W. 34th St</b>	Sidewalk A	234	99	483	130	313	232	273	253	848	366	464	649								
	Sidewalk B	615	72	191	191	197	175	355	241	280	822	935	139								
	Sidewalk C	501	359	218	199	244	199	248	206	340	526	281	641								
	Sidewalk D	198	199	1090	150	159	165	196	198	446	390	419	596								
	Corner A & B	227	34	36	112	362	406	309	343	581	533	539	471								
	Corner C & D	75	54	47	34	291	291	210	238	510	408	400	347								
	Crosswalk (A-B-C)	569	136	303	156	437	387	251	268	149	123	105	109								
Crosswalk (C-D-A)	583	221	990	233	261	243	293	298	197	124	96	159									
<b>Sixth Ave &amp; W. 33rd St</b>	Sidewalk A	211	73	221	163	155	84	364	311	197	304	666	528								
	Sidewalk B	238	193	243	46	254	189	120	182	354	289	121	515								
	Sidewalk C	326	90	194	182	226	260	259	260	258	506	261	343								
	Sidewalk D	436	276	261	325	304	350	238	173	629	778	432	562								
	Corner A & B	17	1	17	17	39	39	33	33	34	35	33	79								
	Corner C & D	0	62	56	87	33	33	77	115	68	68	80	184								
	Crosswalk (A-B-C)	343	137	173	214	307	315	311	246	294	555	433	377								
Crosswalk (C-D-A)	376	186	367	167	284	272	356	333	514	663	384	421									
<b>Sixth Ave &amp; W. 34th St</b>	Sidewalk A	12	9	1	1	26	25	9	8	18	22	2	2	0	0	0	0	0	0	0	0
	Sidewalk B	511	394	383	145	862	967	392	579	773	847	643	914	153	167	209	467	473	344	327	251
	Sidewalk C	439	98	412	375	302	316	850	912	605	525	456	577	235	288	248	187	423	365	227	194
	Sidewalk D	0	0	12	9	0	1	26	25	0	0	18	22	0	0	0	0	0	0	0	0
	Corner A & B	1	1	90	50	8	6	199	251	2	2	73	443	0	0	55	152	0	0	90	213
	Corner C & D	44	25	0	0	92	54	0	0	31	19	0	0	17	59	0	0	42	22	0	0
	Crosswalk (A-B-C)	170	448	460	301	866	681	601	760	933	547	328	771	249	139	184	211	315	458	405	347
Crosswalk (C-D-A)	649	86	1	0	859	685	2	2	693	772	0	1	212	320	0	0	518	424	0	0	
<b>Broadway &amp; W. 34th St</b>	Sidewalk A	429	169	781	177	395	534	757	838	790	1317	802	1136	430	294	205	303	478	618	465	416
	Sidewalk B	3	2	12	9	18	16	26	26	4	5	18	22	0	0	0	0	0	0	0	0
	Sidewalk C	12	9	1	1	26	26	13	15	18	22	3	3	0	0	0	0	0	0	0	0
	Sidewalk D	596	358	560	185	921	856	721	422	966	927	911	1010	334	296	428	486	598	542	609	559
	Corner A & B	253	52	0	0	141	184	0	0	118	475	0	0	42	69	0	0	106	174	0	0
	Corner C & D	0	0	51	253	0	0	282	396	0	0	557	535	0	0	133	119	0	0	194	59
	Crosswalk (A-B-C)	1148	198	3	1	1053	709	10	10	512	1165	3	4	369	182	0	0	344	442	0	0
Crosswalk (C-D-A)	652	87	570	104	694	864	939	1052	695	776	787	1119	212	321	281	160	303	317	286	275	



**Appendix S.5.2**  
**NET INCREMENTAL PEDESTRIAN VOLUMES (SIDEWALKS, CORNERS, AND CROSSWALKS)**  
**2010 FUTURE WITH THE PROPOSED ACTION**

Intersection	Elements	Weekday AM Peak 15-Min.		Weekday MD Peak 15-Min.		Weekday PM Peak 15-Min.		Special Events Evening Peak 15-Min.		Special Events Sunday Peak 15-Min.												
Eleventh Ave & West 37th	Sidewalk A	0	0	12	13	0	0	85	1	0	0	49	1									
	Sidewalk B	2	15	2	27	25	25	6	14	18	3	28	10									
	Sidewalk C	1	3	3	40	0	8	31	32	0	9	46	4									
	Sidewalk D	10	11	0	0	71	1	0	0	41	1	0	0									
	Corner A & B	0	0	0	0	0	0	0	0	0	0	0	0									
	Corner C & D	0	0	0	0	0	0	0	0	0	0	0	0									
	Crosswalk (A-B-C)	1	3	3	40	0	8	31	32	0	9	46	4									
	Crosswalk (C-D-A)	1	3	0	1	0	8	0	0	0	9	1	1									
Eleventh Ave & West 38th	Sidewalk A	0	0	15	15	0	0	101	3	0	0	58	2									
	Sidewalk B	1	3	2	15	16	16	6	14	3	2	15	10									
	Sidewalk C	1	3	1	15	0	9	20	21	0	9	17	3									
	Sidewalk D	12	13	0	0	85	1	0	0	49	1	0	0									
	Corner A & B	0	0	0	0	0	0	0	0	0	0	0	0									
	Corner C & D	0	0	0	0	0	0	0	0	0	0	0	0									
	Crosswalk (A-B-C)	1	3	2	15	1	10	21	21	1	9	18	3									
	Crosswalk (C-D-A)	1	3	0	1	0	9	0	0	0	9	2	1									
Eleventh Ave & West 39th	Sidewalk A	0	0	17	16	0	0	115	2	0	0	64	2	0	0	8	129	0	0	205	11	
	Sidewalk B	1	3	1	3	12	12	0	8	4	3	0	9	0	275	1	20	467	3	130	1	
	Sidewalk C	1	2	1	3	0	9	12	12	0	9	4	3	1	13	0	307	206	2	660	3	
	Sidewalk D	15	15	1	-1	101	3	1	0	58	2	0	2	7	128	300	0	282	9	0	303	
	Corner A & B	0	0	0	0	0	0	0	0	0	0	0	0	0	0	0	0	0	0	0	0	0
	Corner C & D	0	0	0	0	0	0	0	0	0	0	0	0	0	13	0	0	100	0	0	0	0
	Crosswalk (A-B-C)	1	3	1	3	0	8	12	12	0	9	4	3	1	1	0	294	64	1	533	3	3
	Crosswalk (C-D-A)	1	2	16	15	0	9	108	2	0	9	60	2	1	1	7	129	79	2	240	11	11
Eleventh Ave & West 40th	Sidewalk A	1	-1	20	21	0	0	144	3	-3	1	79	0									
	Sidewalk B	1	2	3	10	6	6	0	36	3	3	0	33									
	Sidewalk C	0	0	1	2	0	0	6	6	0	0	3	3									
	Sidewalk D	17	16	0	0	115	2	0	0	64	2	0	0									
	Corner A & B	-1	1	0	0	0	0	0	0	1	0	0	0									
	Corner C & D	0	0	0	0	0	0	0	0	0	0	0	0									
	Crosswalk (A-B-C)	3	10	1	2	0	36	6	6	0	33	3	3									
	Crosswalk (C-D-A)	0	0	17	16	0	0	115	2	0	0	63	2									
Eleventh Ave & West 42nd	Sidewalk A	69	-7	6	10	66	68	27	40	-4	92	23	21	10	18	2	2	76	94	91	29	
	Sidewalk B	4	6	64	-8	9	25	36	45	5	17	-18	76	1	86	9	24	69	8	109	50	
	Sidewalk C	15	35	0	0	21	124	4	4	5	120	1	1	7	31	0	114	94	19	150	3	
	Sidewalk D	0	1	0	0	8	8	0	0	4	0	0	0	1	1	0	0	95	9	0	0	
	Corner A & B	3	3	0	0	17	17	0	0	9	9	0	0	1	1	0	0	25	25	0	0	
	Corner C & D	0	0	0	0	3	3	0	0	0	0	0	0	0	23	0	0	23	1	0	0	
	Crosswalk (A-B-C)	65	-10	5	10	41	54	11	24	-16	89	13	16	10	18	2	92	57	59	129	7	
	Crosswalk (C-D-A)	15	37	5	29	11	128	17	39	2	119	17	22	7	8	3	3	67	16	92	14	
Tenth Ave & W. 29th St	Sidewalk A	0	0	7	-5	0	0	13	18	0	0	0	11									
	Sidewalk B	1	0	-1	-3	6	5	3	2	1	0	1	-2									
	Sidewalk C	-1	1	0	-3	3	1	6	6	1	-2	0	1									
	Sidewalk D	1	0	2	-3	7	6	0	0	1	2	0	2									
	Corner A & B	0	0	1	0	0	0	0	0	0	0	0	1									
	Corner C & D	0	0	0	0	0	0	0	0	0	0	0	0									
	Crosswalk (A-B-C)	-2	0	0	-4	3	2	6	6	0	-3	0	-1									
	Crosswalk (C-D-A)	-3	-1	5	-9	3	0	10	14	0	-5	1	8									
Tenth Ave & W. 30th St	Sidewalk A	0	19	0	4	7	14	41	44	36	11	17	4	1	3102	0	1968	3666	2	2075	1	
	Sidewalk B	4	3	1	6	14	12	11	14	6	4	12	7	0	353	0	635	418	0	1094	1	
	Sidewalk C	0	4	1	-2	10	12	13	11	4	6	2	2	0	131	15	0	132	1	0	23	
	Sidewalk D	8	2	0	4	19	25	4	2	2	12	7	5	1	2	1	1	3	5	75	2	
	Corner A & B	0	8	1	0	2	7	0	0	15	4	0	1	0	1968	0	0	2072	0	0	0	
	Corner C & D	0	0	0	0	0	0	0	0	0	0	0	0	0	0	0	0	0	0	0	0	
	Crosswalk (A-B-C)	0	7	3	-3	11	16	13	12	15	7	2	4	0	1134	145	-1	1587	1	0	75	
	Crosswalk (C-D-A)	0	3	4	-7	10	11	29	31	2	6	2	6	0	0	0	1	80	1	3	9	
Tenth Ave & W. 31st St	Sidewalk A	0	0	9	-2	0	0	69	65	0	0	11	11	0	0	729	29	0	0	28	781	
	Sidewalk B	11	4	1	14	15	14	12	17	7	14	21	9	0	668	0	1478	713	55	1621	2	
	Sidewalk C	1	6	4	-2	11	14	13	12	10	3	4	5	0	874	0	353	949	1	402	0	
	Sidewalk D	0	9	0	0	41	44	0	0	17	4	0	0	0	1968	0	0	2075	1	0	0	
	Corner A & B	0	0	7	0	0	0	2	1	0	0	1	9	0	0	0	0	0	0	0	55	
	Corner C & D	0	0	0	0	0	0	0	0	0	0	0	0	0	59	0	0	85	0	0	0	
	Crosswalk (A-B-C)	0	11	4	-2	11	17	13	12	16	9	2	4	0	2065	0	80	2203	1	77	0	
	Crosswalk (C-D-A)	0	5	0	0	11	13	0	0	8	2	0	0	0	602	0	0	624	1	0	0	
Tenth Ave & W. 33rd St	Sidewalk A	5	71	18	2	16	27	68	66	101	31	10	20	10	821	0	149	1004	26	157	9	
	Sidewalk B	15	3	5	66	22	20	12	26	12	15	90	29	0	159	2	651	145	5	746	19	
	Sidewalk C	1	72	11	2	15	26	21	21	118	25	7	15	16	2351	3	673	2389	33	720	65	
	Sidewalk D	11	19	6	60	69	65	13	28	46	12	108	30	729	29	15	2560	30	781	2519	29	
	Corner A & B	0	0	3	0	0	0	2	0	0	0	5	2	0	89	96	0	92	0	4	94	
	Corner C & D	0	0	5	1	0	0	2	1	0	0	3	7	0	9	729	0	8	0	0	773	
	Crosswalk (A-B-C)	4	67	15	4	12	26	22	20	93	30	8	15	5	695	3	122	872	22	26	8	
	Crosswalk (C-D-A)	1	69	23	3	15	23	68	69	115	22	10	28	17	1837	4	30	1750	32	34	15	
Tenth Ave & W. 34th St	Sidewalk A	11	135	3	24	153	156	12	9	197	39	32	2	5	162	0	96	210	23	193	5	
	Sidewalk B	3	5	6	97	11	8	27	44	12	1	102	32	2	55	2	228	125	8	124	10	
	Sidewalk C	7	99	15	1	71	88	29	27	129	43	12	16	9	461	0	159	400	26	146	6	
	Sidewalk D	19	3	13	117	73	72	85	88	10	21	198	46	0								

**Appendix S.5.2**  
**NET INCREMENTAL PEDESTRIAN VOLUMES (SIDEWALKS, CORNERS, AND CROSSWALKS)**  
**2010 FUTURE WITH THE PROPOSED ACTION**

Intersection	Elements	Weekday AM Peak 15-Min.				Weekday MD Peak 15-Min.				Weekday PM Peak 15-Min.				Special Events Evening Peak 15-Min.				Special Events Sunday Peak 15-Min.				
		1	3	5	20	3	11	104	104	0	10	24	8									
Tenth Ave & W. 36th St	Sidewalk A	1	3	5	20	3	11	104	104	0	10	24	8									
	Sidewalk B	1	5	1	4	27	26	9	18	7	3	1	10									
	Sidewalk C	1	4	1	10	10	18	27	27	2	9	12	2									
	Sidewalk D	6	23	1	3	127	127	0	8	30	10	0	9									
	Corner A & B	0	0	0	0	0	0	0	0	0	0	0	0									
	Corner C & D	0	0	0	0	0	0	0	0	0	0	0	0									
	Crosswalk (A-B-C)	1	5	1	4	10	18	27	26	3	10	5	2									
Crosswalk (C-D-A)	1	4	5	22	10	18	117	117	2	9	28	9										
Tenth Ave & W. 37th St	Sidewalk A	1	3	2	8	6	14	75	75	1	10	11	6									
	Sidewalk B	3	15	3	5	31	31	16	24	20	5	3	11									
	Sidewalk C	3	5	1	5	13	22	21	21	3	11	6	3									
	Sidewalk D	4	19	1	3	99	99	0	8	25	8	0	9									
	Corner A & B	0	1	1	1	0	0	4	3	1	0	2	1									
	Corner C & D	0	0	0	0	0	0	0	0	0	0	0	0									
	Crosswalk (A-B-C)	1	10	2	9	14	22	25	25	9	11	11	4									
Crosswalk (C-D-A)	1	8	4	15	10	19	89	88	5	10	19	6										
Tenth Ave & W. 38th St	Sidewalk A	1	2	2	5	4	12	42	42	0	9	7	5									
	Sidewalk B	3	6	2	4	35	35	11	20	9	8	2	10									
	Sidewalk C	2	4	2	3	14	22	25	25	3	11	5	4									
	Sidewalk D	3	8	1	2	64	64	0	9	11	6	1	9									
	Corner A & B	0	1	1	1	0	0	3	3	1	0	2	1									
	Corner C & D	0	0	0	0	-1	-1	0	0	0	0	0	0									
	Crosswalk (A-B-C)	1	4	3	5	11	19	29	28	1	9	7	6									
Crosswalk (C-D-A)	2	4	2	7	10	18	55	55	2	10	9	5										
Tenth Ave & W. 39th St	Sidewalk A	1	2	1	2	0	8	12	12	0	9	4	4									
	Sidewalk B	4	7	2	4	36	36	11	20	11	9	2	10									
	Sidewalk C	2	5	3	5	13	22	31	31	4	11	9	8									
	Sidewalk D	2	5	1	2	33	32	0	8	8	5	0	8									
	Corner A & B	0	0	0	1	0	0	2	2	0	0	1	1									
	Corner C & D	0	0	0	0	0	0	0	0	0	0	0	0									
	Crosswalk (A-B-C)	1	3	4	7	9	17	34	34	1	9	11	10									
Crosswalk (C-D-A)	1	4	2	4	10	18	23	22	2	9	5	5										
Tenth Ave & W. 40th St	Sidewalk A	4	11	1	3	1	37	5	6	0	34	4	3									
	Sidewalk B	11	11	5	10	36	35	2	22	71	14	2	49									
	Sidewalk C	2	6	4	6	3	20	29	30	1	43	11	9									
	Sidewalk D	1	2	0	0	6	5	0	0	3	4	0	0									
	Corner A & B	0	1	4	3	0	0	3	3	1	0	31	2									
	Corner C & D	0	0	0	0	0	0	0	0	0	0	0	0									
	Crosswalk (A-B-C)	2	8	8	8	1	29	40	32	0	26	47	10									
Crosswalk (C-D-A)	1	2	3	3	0	8	14	5	0	7	10	4										
Tenth Ave & W. 41st St	Sidewalk A	6	13	0	1	19	38	1	1	9	24	1	1									
	Sidewalk B	17	34	10	9	77	79	9	26	38	92	63	21									
	Sidewalk C	6	7	11	11	7	24	38	37	4	20	72	14									
	Sidewalk D	2	3	2	6	7	7	0	17	4	3	0	15									
	Corner A & B	0	0	2	9	0	0	8	9	0	0	5	63									
	Corner C & D	0	0	0	0	0	0	0	0	0	0	0	0									
	Crosswalk (A-B-C)	8	16	13	16	25	43	45	44	13	27	77	17									
Crosswalk (C-D-A)	1	5	1	3	0	16	6	7	0	15	4	4										
Tenth Ave & W. 42nd St	Sidewalk A	63	-9	2	1	34	48	13	13	-19	79	4	4									
	Sidewalk B	7	5	74	61	58	57	29	57	13	15	26	98									
	Sidewalk C	75	230	8	9	130	218	9	6	195	181	23	6									
	Sidewalk D	0	0	16	35	4	4	26	124	1	1	5	117									
	Corner A & B	1	1	0	0	3	3	0	0	2	2	0	0									
	Corner C & D	0	0	0	0	0	0	0	0	0	0	0	0									
	Crosswalk (A-B-C)	62	-7	10	21	32	50	67	74	-20	81	21	22									
Crosswalk (C-D-A)	17	22	3	3	36	130	9	13	7	118	5	6										
Dyer Ave & W. 42nd St	Sidewalk A	74	58	0	0	28	55	0	0	26	97	0	0									
	Sidewalk B	0	0	74	58	0	0	28	55	0	0	26	97									
	Sidewalk C	79	261	0	0	102	192	0	0	213	172	0	0									
	Sidewalk D	0	0	79	261	0	0	102	192	0	0	213	172									
	Corner A & B	0	0	0	0	0	0	0	0	0	0	0	0									
	Corner C & D	0	0	0	0	0	0	0	0	0	0	0	0									
	Crosswalk (A-B-C)	0	0	0	0	0	0	0	0	0	0	0	0									
Crosswalk (C-D-A)	79	261	0	0	102	192	0	0	213	172	0	0										
Ninth Ave & W. 30th St	Sidewalk A	0	6	-2	0	8	12	7	5	12	7	1	-2	0	635	0	228	1096	3	254	8	
	Sidewalk B	-2	0	0	4	7	6	1	4	1	-2	8	6	-1	179	0	227	246	7	486	4	
	Sidewalk C	0	4	-1	-2	0	2	7	5	3	6	0	-3	0	0	65	-1	190	3	9	32	
	Sidewalk D	-1	-1	-1	1	7	5	7	9	0	-2	4	6	65	-1	0	131	10	32	132	3	
	Corner A & B	0	0	0	0	0	0	0	0	0	0	0	0	0	25	0	0	31	0	0	0	
	Corner C & D	0	0	0	-3	0	0	0	0	0	0	0	0	0	0	65	0	1	1	0	0	23
	Crosswalk (A-B-C)	0	6	-2	-1	1	4	6	5	9	7	1	-2	0	407	-1	0	839	3	8	122	
Crosswalk (C-D-A)	0	3	-2	-1	0	2	7	5	3	5	0	-1	0	65	0	0	98	2	9	21		
Ninth Ave & W. 31st St	Sidewalk A	0	10	0	11	8	13	12	11	14	8	1	-2	0	1478	0	40	1567	3	43	5	
	Sidewalk B	-1	1	0	115	13	13	2	8	4	-1	14	8	0	520	0	1737	560	4	1873	35	
	Sidewalk C	0	7	-1	1	0	4	13	12	6	6	2	-2	0	450	-1	179	549	4	250	11	
	Sidewalk D	0	1	0	6	13	12	8	10	1	0	9	2	0	215	0	875	236	12	950	2	
	Corner A & B	0	0	0	0	0	0	0	0	0	0	0	0	0	0	0	0	0	0	4	4	
	Corner C & D	0	0	0	0	0	0	0	0	0	0	0	0	0	57	0	0	107	0	0	0	
	Crosswalk (A-B-C)	1	11	-1	2	2	7	13	13	15	8	3	-1	0	1807	0	451	1936	18	490	11	
Crosswalk (C-D-A)	1	5	0	1	1	4	14	12	8	2	3	-1	0	721	-1	369	784	3	403	13		
Ninth Ave & W. 33rd St	Sidewalk A	4	66	4	19	9	22	22	21	90	29	8	5	2	632	0	187	702	20	130	19	
	Sidewalk B	2	3	0	128	21	20	2	12	8	1	16	20	0	173	0	489	171	19	474	15	
	Sidewalk C	2	98	0	1	4	19	20	19	172	34	4	-1	2	2645	-1	520	2874	61	557	1	
	Sidewalk D	0	0	0	203	19	18	10	22	2	-1	104	24	38	40	1	2338	39	2	2331	24	
	Corner A & B	0	1	2	0	0	1	2	0	0	2	4	1	0	57	51	0	16	0	3	52	
	Corner C & D	0	1	0	0	1	2	0	0	2	1	0	0	0	509	38	0	547	0	0	0	
	Crosswalk (A-B-C)	5	64	36	65	3	13	22	20	88	2											

**Appendix S.5.2**  
**NET INCREMENTAL PEDESTRIAN VOLUMES (SIDEWALKS, CORNERS, AND CROSSWALKS)**  
**2010 FUTURE WITH THE PROPOSED ACTION**

Intersection	Elements	Weekday AM Peak 15-Min.				Weekday MD Peak 15-Min.				Weekday PM Peak 15-Min.				Special Events Evening Peak 15-Min.				Special Events Sunday Peak 15-Min.			
Ninth Ave & W. 34th St	Sidewalk A	6	93	3	11	24	40	11	7	101	32	8	0	3	228	0	99	126	12	51	15
	Sidewalk B	1	2	6	91	11	7	11	28	7	-2	103	31	3	13	4	375	18	19	144	7
	Sidewalk C	5	90	3	17	11	31	28	27	105	37	8	1	2	473	0	173	536	20	169	16
	Sidewalk D	4	3	6	99	28	28	67	84	8	5	129	43	1	188	9	461	130	20	402	27
	Corner A & B	0	2	2	-1	7	7	3	0	2	0	4	0	0	50	0	0	38	1	2	3
	Corner C & D	0	1	6	1	0	1	29	27	2	1	10	7	0	104	42	2	119	0	4	5
	Crosswalk (A-B-C)	7	92	8	8	18	35	5	1	101	32	10	-2	5	267	2	158	144	9	74	17
	Crosswalk (C-D-A)	6	94	3	9	40	57	4	1	119	38	9	0	5	469	3	138	443	23	74	17
Ninth Ave & W. 37th St	Sidewalk A	2	4	1	4	10	19	24	25	2	11	4	3								
	Sidewalk B	-1	2	2	4	21	21	4	13	3	0	2	10								
	Sidewalk C	2	4	0	7	2	10	21	22	2	10	4	0								
	Sidewalk D	2	2	2	5	19	20	9	18	3	1	3	10								
	Corner A & B	1	0	0	0	2	2	0	0	1	1	0	0								
	Corner C & D	0	0	0	0	0	0	0	0	0	0	0	0								
	Crosswalk (A-B-C)	3	4	-1	6	4	13	21	21	3	11	3	0								
	Crosswalk (C-D-A)	2	5	1	4	3	11	20	20	2	10	3	1								
Ninth Ave & W. 38th St	Sidewalk A	1	3	-1	-1	7	15	0	0	1	9	-5	-4								
	Sidewalk B	2	3	10	5	16	17	5	14	3	2	5	19								
	Sidewalk C	6	5	0	5	5	14	15	15	3	15	2	-1								
	Sidewalk D	17	2	1	-4	23	23	9	17	7	19	2	10								
	Corner A & B	0	-1	0	0	-5	-5	0	0	-2	-2	0	0								
	Corner C & D	0	0	0	0	0	0	0	0	0	0	0	0								
	Crosswalk (A-B-C)	7	4	6	5	1	10	19	19	3	14	6	6								
	Crosswalk (C-D-A)	12	5	5	0	7	16	4	4	6	20	-3	3								
Ninth Ave & W. 39th St	Sidewalk A	2	3	1	0	8	16	7	7	1	10	0	0								
	Sidewalk B	4	2	0	2	11	10	0	9	-1	4	0	8								
	Sidewalk C	9	2	2	4	5	16	12	12	-1	14	3	2								
	Sidewalk D	-6	-3	1	-4	-5	-5	8	17	-7	-9	2	10								
	Corner A & B	0	0	0	0	0	0	0	0	0	0	0	0								
	Corner C & D	-1	1	0	-1	0	1	0	-2	0	-2	-1	-1								
	Crosswalk (A-B-C)	1	3	4	2	0	9	13	11	1	8	0	4								
	Crosswalk (C-D-A)	-1	2	-1	0	-2	6	3	4	0	7	-1	-2								
Ninth Ave & W. 42nd St	Sidewalk A	74	58	6	3	28	55	10	10	26	97	6	8								
	Sidewalk B	1	1	75	59	13	13	31	66	2	3	33	107								
	Sidewalk C	53	172	1	2	48	120	9	9	140	125	0	2								
	Sidewalk D	-1	0	79	261	6	6	102	192	1	0	213	172								
	Corner A & B	0	0	0	0	0	0	0	0	0	1	0	0								
	Corner C & D	1	0	1	1	1	0	9	9	-2	0	2	2								
	Crosswalk (A-B-C)	75	54	2	2	36	63	7	15	33	101	2	10								
	Crosswalk (C-D-A)	55	177	65	94	63	143	34	45	144	135	78	73								
Eighth Ave & W. 30th St	Sidewalk A	1	5	-2	-1	1	4	0	-2	8	6	0	-4	0	228	-1	104	489	5	127	19
	Sidewalk B	1	1	1	3	1	1	1	2	2	1	5	6	0	95	0	27	246	38	36	4
	Sidewalk C	1	4	1	0	1	2	0	0	5	6	0	0	0	0	0	0	6	2	29	166
	Sidewalk D	-2	0	1	2	0	-2	0	2	0	-4	3	5	0	-1	0	0	14	151	192	5
	Corner A & B	0	0	0	0	0	0	0	0	0	0	0	0	0	105	0	0	109	2	2	2
	Corner C & D	0	0	0	0	0	0	0	0	0	0	0	0	0	0	0	0	0	0	0	69
	Crosswalk (A-B-C)	1	5	1	0	1	3	1	0	8	7	0	1	0	123	0	0	314	7	34	102
	Crosswalk (C-D-A)	1	4	-3	-1	0	2	0	-2	4	6	0	-4	0	0	-1	0	77	4	16	83
Eighth Ave & W. 31st St	Sidewalk A	0	8	-3	0	1	6	0	-2	11	7	1	-3	0	1308	-1	43	1410	37	49	6
	Sidewalk B	1	0	0	100	0	0	0	5	0	1	6	6	0	54	0	617	138	87	628	16
	Sidewalk C	0	4	1	1	1	3	0	1	5	6	1	1	0	116	0	95	352	5	234	43
	Sidewalk D	-2	0	0	6	0	-2	1	5	1	-3	6	7	-1	104	0	450	132	24	551	6
	Corner A & B	0	0	0	0	0	0	0	0	0	0	0	0	0	0	0	0	0	0	0	0
	Corner C & D	0	0	0	0	0	0	0	0	0	0	0	0	0	23	0	0	137	0	2	2
	Crosswalk (A-B-C)	0	7	0	1	1	6	0	1	9	7	1	1	0	1054	0	261	1141	49	323	53
	Crosswalk (C-D-A)	0	5	-2	1	0	3	0	-1	6	7	2	-3	0	322	0	219	438	13	239	12
Eighth Ave & W. 33rd St	Sidewalk A	0	28	2	27	2	12	1	0	17	20	5	1	1	406	0	101	383	17	122	20
	Sidewalk B	2	5	2	49	2	2	3	6	5	34	13	7	1	122	41	147	186	64	124	1
	Sidewalk C	0	5	14	7	1	3	0	2	8	5	1	60	0	222	0	55	244	24	140	90
	Sidewalk D	-1	0	-3	217	0	-2	3	10	0	-4	99	16	-1	44	1	2001	46	3	2164	46
	Corner A & B	0	0	0	0	0	0	0	0	0	0	1	0	0	0	0	0	0	0	0	1
	Corner C & D	0	0	0	0	0	0	0	0	0	0	0	0	0	45	0	0	44	0	0	0
	Crosswalk (A-B-C)	2	24	11	6	2	9	5	2	15	16	13	35	41	259	0	28	251	19	107	81
	Crosswalk (C-D-A)	3	26	5	20	2	11	3	1	43	19	6	2	1	1305	0	28	1431	51	41	17
Eighth Ave & W. 34th St	Sidewalk A	6	86	2	23	11	28	6	1	102	32	7	0	2	168	0	18	141	6	32	19
	Sidewalk B	1	5	3	58	4	1	4	22	7	57	34	24	0	20	1	115	60	49	106	3
	Sidewalk C	4	42	26	19	5	33	3	4	67	42	7	60	2	552	1	123	594	29	183	62
	Sidewalk D	3	1	5	108	2	0	11	31	5	2	104	37	0	101	2	460	119	17	501	22
	Corner A & B	0	0	1	1	0	0	4	0	0	0	4	0	0	0	1	0	-1	-1	1	2
	Corner C & D	0	0	2	19	0	0	0	0	1	0	1	1	0	110	0	0	117	4	1	1
	Crosswalk (A-B-C)	6	71	15	24	10	27	7	2	87	29	12	66	2	141	0	32	122	6	90	59
	Crosswalk (C-D-A)	3	54	4	59	8	30	5	1	64	39	10	0	2	479	0	27	515	26	43	19
Eighth Ave & W. 37th St	Sidewalk A	2	3	1	7	3	11	2	2	1	10	3	2								
	Sidewalk B	0	1	1	3	0	1	1	9	2	1	1	9								
	Sidewalk C	1	4	1	2	1	9	1	1	1	9	2	2								
	Sidewalk D	1	1	2	4	2	3	1	10	2	2	1	10								
	Corner A & B	0	0	0	0	0	0	0	0	0	0	0	0								
	Corner C & D	0	0	0	0	0	0	0	0	0	0	0	0								
	Crosswalk (A-B-C)	1	3	0	2	2	10	1	1	2	10	2	1								
	Crosswalk (C-D-A)	2	4	0	7	1	9	2	2	2	10	3	2								
Eighth Ave & W. 38th St	Sidewalk A	10	4	5	7	5	13	4	4	5	20	3	5								
	Sidewalk B	5	1	6	4	4	4	4	12	2	6	3	14								
	Sidewalk C	2	4	1	1	1	9	2	2	1	9	2	1								
	Sidewalk D	1	1	6	4	4	3	4	12	2	2	3	15								
	Corner A & B	4	0	0	0	1	1	0	0	1	4	0	0								
	Corner C & D	0	0	0	1	0	0	0	0	0	0	1	0								
	Crosswalk (A-B-C)	6	4	4	2	2	11	3	4	2	14	2	5								

**Appendix S.5.2**  
**NET INCREMENTAL PEDESTRIAN VOLUMES (SIDEWALKS, CORNERS, AND CROSSWALKS)**  
**2010 FUTURE WITH THE PROPOSED ACTION**

Intersection	Elements	Weekday AM Peak 15-Min.				Weekday MD Peak 15-Min.				Weekday PM Peak 15-Min.				Special Events Evening Peak 15-Min.				Special Events Sunday Peak 15-Min.			
<b>Eighth Ave &amp; W. 39th St</b>	Sidewalk A	0	2	12	-1	-1	7	8	10	0	8	0	18								
	Sidewalk B	10	-3	5	1	6	6	2	10	-1	11	-1	12								
	Sidewalk C	4	3	5	2	3	12	6	6	2	12	3	6								
	Sidewalk D	4	2	22	-13	6	6	10	20	3	6	-6	36								
	Corner A & B	-1	-1	0	0	-1	-1	0	0	-1	-1	0	0								
	Corner C & D	0	0	0	0	0	0	0	0	0	0	0	0								
	Crosswalk (A-B-C)	5	-1	8	-3	2	11	6	6	-2	14	0	9								
	Crosswalk (C-D-A)	8	-2	19	-4	4	13	12	14	-1	17	-1	24								
<b>Eighth Ave &amp; W. 42nd St</b>	Sidewalk A	75	55	1	1	29	65	6	6	33	107	2	2								
	Sidewalk B	1	1	37	44	6	6	14	64	2	2	22	78								
	Sidewalk C	32	85	1	0	15	66	2	2	64	77	0	1								
	Sidewalk D	2	-1	48	160	7	6	40	112	3	3	124	118								
	Corner A & B	0	0	0	0	0	0	0	0	0	0	0	0								
	Corner C & D	0	0	2	0	0	0	4	2	0	0	2	0								
	Crosswalk (A-B-C)	35	39	2	4	13	54	5	16	22	69	2	11								
	Crosswalk (C-D-A)	35	84	17	65	24	85	17	26	66	89	60	28								
<b>Seventh Ave &amp; W. 31st St</b>	Sidewalk A	0	5	0	0	1	4	0	0	6	6	0	0								
	Sidewalk B	0	1	0	58	0	1	1	3	1	0	5	5								
	Sidewalk C	0	3	0	1	0	3	0	0	3	5	0	0								
	Sidewalk D	0	0	0	4	0	0	0	3	0	0	4	5								
	Corner A & B	0	0	0	0	0	0	0	0	0	0	0	0								
	Corner C & D	0	0	0	0	0	0	0	0	0	0	0	0								
	Crosswalk (A-B-C)	0	5	0	1	0	4	0	0	5	6	1	0								
	Crosswalk (C-D-A)	0	3	0	1	0	3	0	0	4	5	0	0								
<b>Seventh Ave &amp; W. 33rd St</b>	Sidewalk A	1	14	2	1	3	5	2	0	13	6	5	0								
	Sidewalk B	0	0	0	54	1	0	1	3	1	0	7	5								
	Sidewalk C	0	6	0	0	1	5	0	0	9	6	0	0								
	Sidewalk D	0	0	0	116	0	0	1	4	0	0	8	5								
	Corner A & B	1	11	0	0	2	1	0	0	4	2	1	0								
	Corner C & D	0	0	0	0	0	0	0	0	0	0	0	0								
	Crosswalk (A-B-C)	0	5	1	26	1	3	0	0	7	5	1	0								
	Crosswalk (C-D-A)	0	5	1	31	1	4	1	0	8	5	1	0								
<b>Seventh Ave &amp; W. 34th St</b>	Sidewalk A	2	27	2	3	3	23	4	0	33	22	5	0								
	Sidewalk B	2	1	2	21	5	0	3	25	6	0	18	24								
	Sidewalk C	2	13	0	1	3	25	1	0	18	24	1	0								
	Sidewalk D	2	0	4	66	2	0	6	32	6	0	63	39								
	Corner A & B	0	0	1	0	0	0	4	0	0	0	5	0								
	Corner C & D	0	0	0	0	0	0	3	1	0	0	1	4								
	Crosswalk (A-B-C)	2	20	1	2	3	24	4	1	25	24	7	0								
	Crosswalk (C-D-A)	2	20	1	4	4	21	4	0	29	21	5	-2								
<b>Sixth Ave &amp; W. 33rd St</b>	Sidewalk A	0	4	0	0	1	3	0	0	7	5	1	0								
	Sidewalk B	0	0	0	4	0	0	1	4	0	0	7	5								
	Sidewalk C	0	4	0	7	1	4	0	0	7	5	1	0								
	Sidewalk D	1	0	0	60	0	0	1	5	1	0	8	6								
	Corner A & B	0	0	0	0	0	0	0	0	0	0	0	0								
	Corner C & D	0	0	0	7	0	0	0	0	0	0	0	0								
	Crosswalk (A-B-C)	0	4	0	0	1	3	0	0	7	6	0	0								
	Crosswalk (C-D-A)	0	4	0	0	1	4	0	0	7	6	0	0								
<b>Sixth Ave &amp; W. 34th St</b>	Sidewalk A	2	13	0	0	2	24	0	0	18	24	0	0	0	0	0	0	0	0	0	0
	Sidewalk B	0	0	1	13	0	0	2	23	0	0	18	24	0	0	1	1	0	0	13	3
	Sidewalk C	1	13	0	0	2	23	0	0	18	24	0	0	1	1	0	0	13	3	0	0
	Sidewalk D	0	0	2	13	0	0	2	23	0	0	18	24	0	0	0	0	0	0	0	0
	Corner A & B	0	0	0	0	0	0	0	0	0	0	0	0	0	0	0	0	0	0	0	0
	Corner C & D	0	0	0	0	0	0	0	0	0	0	0	0	0	0	0	0	0	0	0	0
	Crosswalk (A-B-C)	2	13	0	0	2	23	0	0	18	24	0	0	1	1	0	0	14	3	0	0
	Crosswalk (C-D-A)	1	13	0	0	2	23	0	0	18	24	0	0	1	1	0	0	13	3	0	0
<b>Broadway &amp; W. 34th St</b>	Sidewalk A	2	14	0	0	3	25	0	0	18	24	0	0	1	34	0	9	43	3	19	11
	Sidewalk B	0	0	2	13	0	0	2	23	0	0	18	24	0	0	0	0	0	0	0	0
	Sidewalk C	2	13	0	0	2	23	0	0	18	24	0	0	0	0	0	0	0	0	0	0
	Sidewalk D	0	0	2	19	1	0	2	24	0	0	19	24	0	0	1	24	12	11	35	5
	Corner A & B	0	0	0	0	0	0	0	0	0	0	0	0	0	10	0	0	8	0	0	0
	Corner C & D	0	0	0	0	0	0	0	0	0	0	0	0	0	0	0	0	0	0	0	0
	Crosswalk (A-B-C)	2	12	0	0	2	23	0	0	18	24	0	0	1	1	0	0	13	3	0	0
	Crosswalk (C-D-A)	2	13	0	0	3	23	0	0	18	23	0	0	1	1	0	0	13	3	11	11
<b>Blvd &amp; W. 33rd St</b>	Sidewalk A	4	22	89	15	7	26	24	53	29	34	7	137	1	681	19	69	847	20	65	43
	Sidewalk B	33	4	7	72	8	9	22	33	5	74	102	32	3	56	10	822	53	16	1005	27
	Sidewalk C	6	60	0	0	17	31	0	0	108	30	0	0	14	2559	0	0	2519	29	0	0
	Sidewalk D	0	0	0	26	0	0	5	22	0	0	34	28	0	0	0	3048	0	0	2970	16
	Corner A & B	0	0	17	2	3	3	8	8	0	0	2	36	0	0	2	3	0	0	4	8
	Corner C & D	0	0	0	0	0	0	0	0	0	0	0	0	0	0	0	0	0	0	0	0
	Crosswalk (A-B-C)	4	53	16	5	13	23	0	2	62	28	7	41	7	555	2	317	743	23	304	8
	Crosswalk (C-D-A)	2	17	48	12	0	0	13	37	35	1	9	88	6	340	13	226	159	6	216	33
<b>Blvd &amp; W. 34th St</b>	Sidewalk A	27	319	307	26	201	200	112	125	432	61	34	423	9	204	3	7	272	28	12	26
	Sidewalk B	1	0	12	149	1	-1	164	168	1	0	212	40	2	1	5	233	6	3	275	23
	Sidewalk C	13	117	34	6	91	95	14	14	198	46	4	74	53	394	3	56	371	30	54	16
	Sidewalk D	57	8	1	90	31	31	13	81	8	84	46	150	53	58	2	504	53	22	502	93
	Corner A & B	0	0	1	0	0	0	2	0	0	0	1	0	0	0	0	0	0	0	0	0
	Corner C & D	0	0	0	0	0	0	0	0	0	0	0	0	0	47	0	0	45	0	0	0
	Crosswalk (A-B-C)	21	223	76	10	205	208	43	40	323	50	12	113	8	217	4	21	275	27	20	13
	Crosswalk (C-D-A)	26	373	403	33	90	90	105	122	486	68	46	533	74	378	4	24	365	47	22	31

**Appendix S.5.2**  
**NET INCREMENTAL PEDESTRIAN VOLUMES (SIDEWALKS, CORNERS, AND CROSSWALKS)**  
**2025 FUTURE WITH THE PROPOSED ACTION**

Intersection	Elements	Weekday AM Peak 15-Min.				Weekday MD Peak 15-Min.				Weekday PM Peak 15-Min.				Special Events Evening Peak 15-Min.				Special Events Sunday Peak 15-Min.				
Rt 9A & West 30th St	Sidewalk A	0	0	0	2	0	0	1	2	0	0	4	0	0	0	0	0	0	0	0	0	
	Sidewalk B	0	0	0	0	0	0	0	0	0	0	0	0	0	0	0	0	0	0	0	0	
	Sidewalk C	0	0	0	0	0	0	0	0	0	0	0	0	0	0	0	0	0	0	0	0	
	Sidewalk D	0	0	0	0	0	0	0	0	0	0	0	0	0	0	0	0	0	0	0	0	
	Corner A & B	0	0	0	0	0	0	0	0	0	0	0	0	0	0	0	0	0	0	0	0	
	Corner C & D	0	0	0	0	0	0	0	0	0	0	0	0	0	0	0	0	0	0	0	0	
	Crosswalk (A-B-C)	0	0	2	0	0	0	2	1	0	0	0	4	0	0	0	435	0	0	0	422	0
	Crosswalk (C-D-A)	2	0	0	0	2	1	0	0	0	4	0	0	0	435	0	0	0	0	422	0	0
Rt 9A & West 34th St	Sidewalk A	0	0	0	3	0	0	1	3	0	0	8	0	0	0	0	957	0	0	1078	0	
	Sidewalk B	0	3	1	0	1	2	1	1	6	0	0	2	0	696	139	0	0	676	0	0	135
	Sidewalk C	4	0	0	0	3	2	0	0	1	9	0	0	992	0	0	0	0	963	0	0	
	Sidewalk D	0	2	0	0	1	2	0	0	4	0	0	0	0	435	0	0	422	0	0	0	
	Corner A & B	0	0	0	1	0	0	0	0	0	0	1	0	0	0	0	139	0	0	135	0	
	Corner C & D	0	0	0	0	0	0	0	0	0	0	0	0	0	0	0	0	0	0	0	0	
	Crosswalk (A-B-C)	0	0	0	2	0	0	1	2	0	0	5	0	0	0	0	557	0	0	541	0	
	Crosswalk (C-D-A)	2	0	0	0	2	1	0	0	0	4	0	0	435	0	0	0	0	422	0	0	
Rt 9A & West 39th St	Sidewalk A	0	0	1	1	0	0	0	0	0	0	1	1									
	Sidewalk B	0	0	0	0	0	0	0	0	0	0	0	0									
	Sidewalk C	12	35	0	3	1	0	1	2	11	37	6	0									
	Sidewalk D	0	3	0	0	1	3	0	0	8	0	0	0									
	Corner A & B	0	0	0	0	0	0	0	0	0	0	0	0									
	Corner C & D	0	0	0	0	0	0	0	0	0	0	0	0									
	Crosswalk (A-B-C)	0	0	0	0	0	0	0	0	0	0	0	0									
	Crosswalk (C-D-A)	36	33	1	1	18	1	0	0	47	43	1	1									
Rt 9A & West 40th St	Sidewalk A	0	0	1	1	0	0	0	0	0	0	1	1									
	Sidewalk B	0	0	0	0	0	0	0	0	0	0	0	0									
	Sidewalk C	0	0	0	0	0	0	0	0	0	0	0	0									
	Sidewalk D	1	1	0	0	0	0	0	0	1	1	0	0									
	Corner A & B	0	0	0	0	0	0	0	0	0	0	0	0									
	Corner C & D	0	0	0	0	0	0	0	0	0	0	0	0									
	Crosswalk (A-B-C)	0	0	0	0	0	0	0	0	0	0	0	0									
	Crosswalk (C-D-A)	0	0	1	1	0	0	0	0	0	0	1	1									
Rt 9A & West 42nd St	Sidewalk A	0	0	1	0	0	0	0	0	0	0	0	1									
	Sidewalk B	-3	-3	-8	0	-4	-4	-12	-11	2	2	3	-7									
	Sidewalk C	2	2	0	0	2	2	0	0	2	2	0	0									
	Sidewalk D	1	1	0	0	0	0	0	0	1	1	0	0									
	Corner A & B	0	0	-4	-6	0	0	-7	-4	0	0	0	0									
	Corner C & D	0	0	0	0	0	0	0	0	0	0	0	0									
	Crosswalk (A-B-C)	0	1	2	5	-1	-1	3	-1	1	0	2	-4									
	Crosswalk (C-D-A)	0	0	0	0	0	0	0	0	0	0	0	0									
Eleventh Ave & West 29th	Sidewalk A	0	0	63	36	0	0	148	133	0	0	43	67									
	Sidewalk B	93	46	2	27	201	199	24	37	50	107	57	24									
	Sidewalk C	3	7	70	41	21	17	158	159	10	2	36	66									
	Sidewalk D	51	36	0	0	138	129	0	0	32	40	0	0									
	Corner A & B	0	0	15	2	0	0	27	20	0	0	13	30									
	Corner C & D	0	0	0	0	0	0	0	0	0	0	0	0									
	Crosswalk (A-B-C)	0	12	77	44	3	10	175	179	27	11	37	76									
	Crosswalk (C-D-A)	0	0	51	36	0	0	138	129	0	0	32	40									
Eleventh Ave & West 30th	Sidewalk A	0	12	38	10	3	10	97	82	27	11	25	47									
	Sidewalk B	88	56	56	55	301	294	134	143	55	68	49	51									
	Sidewalk C	8	8	106	58	26	32	257	256	6	16	58	117									
	Sidewalk D	78	47	0	0	204	189	0	0	50	77	0	0									
	Corner A & B	0	0	5	2	0	0	26	25	0	0	6	3									
	Corner C & D	5	1	0	0	0	4	0	0	0	8	0	0									
	Crosswalk (A-B-C)	21	33	109	75	57	64	332	319	46	23	71	93									
	Crosswalk (C-D-A)	19	24	66	30	55	58	157	138	27	18	45	82									
Eleventh Ave & West 33rd	Sidewalk A	0	2	67	57	0	2	99	132	0	3	86	74									
	Sidewalk B	107	78	39	35	200	247	94	107	81	106	33	52									
	Sidewalk C	49	80	106	109	243	209	293	331	96	61	123	107									
	Sidewalk D	28	11	0	0	87	79	0	0	14	22	0	0									
	Corner A & B	0	0	3	0	0	0	2	0	0	0	5	0									
	Corner C & D	11	11	0	0	130	130	0	0	7	7	0	0									
	Crosswalk (A-B-C)	19	29	115	74	63	60	178	242	41	37	81	132									
	Crosswalk (C-D-A)	16	45	57	23	65	58	89	95	53	34	38	44									
Eleventh Ave & West 34th	Sidewalk A	1	0	132	42	1	1	144	148	0	2	135	81									
	Sidewalk B	160	109	66	29	304	302	195	202	99	136	22	73									
	Sidewalk C	8	80	118	112	87	134	251	290	54	109	144	116									
	Sidewalk D	82	77	4	0	147	182	3	2	147	89	1	9									
	Corner A & B	28	0	10	12	8	0	101	97	3	0	17	5									
	Corner C & D	2	2	0	6	29	29	3	3	2	2	26	3									
	Crosswalk (A-B-C)	125	63	123	98	85	57	256	291	34	105	118	134									
	Crosswalk (C-D-A)	22	70	116	62	57	97	128	152	69	164	132	109									
Eleventh Ave & West 35th	Sidewalk A	0	0	37	30	0	0	129	73	0	0	44	18									
	Sidewalk B	283	293	84	62	310	301	132	133	99	90	36	38									
	Sidewalk C	39	53	256	255	62	103	302	300	9	66	140	99									
	Sidewalk D	133	42	0	0	144	148	0	0	135	82	0	0									
	Corner A & B	0	0	34	38	0	0	69	69	0	0	12	9									
	Corner C & D	4	4	0	0	27	27	0	0	3	3	0	0									
	Crosswalk (A-B-C)	22	10	278	280	34	28	292	290	14	17	111	91									
	Crosswalk (C-D-A)	23	40	18	18	33	73	62	62	14	92	11	12									
Eleventh Ave & West 36th	Sidewalk A	0	0	74	24	0	0	127	47	0	0	55	36									
	Sidewalk B	399	389	141	102	305	289	47	42	162	100	55	60									
	Sidewalk C	178	188	584	1305	86	83	417	415	99	88	1042	311									
	Sidewalk D	37	30	0	0	129	73	0	0	44	18	0	0									
	Corner A & B	0	0	1	3	0	0	2	2	0	0	3	1									
	Corner C & D	8	19	0	0	10	10	0	0	21	8	0	0									
	Crosswalk (A-B-C)	85	7	452	460	32	16	319	314	13	15	178	142									



**Appendix S.5.2**  
**NET INCREMENTAL PEDESTRIAN VOLUMES (SIDEWALKS, CORNERS, AND CROSSWALKS)**  
**2025 FUTURE WITH THE PROPOSED ACTION**

Intersection	Elements	Weekday AM Peak 15-Min.				Weekday MD Peak 15-Min.				Weekday PM Peak 15-Min.				Special Events Evening Peak 15-Min.				Special Events Sunday Peak 15-Min.				
Eleventh Ave & West 37th	Sidewalk A	0	0	31	21	0	0	112	28	0	0	59	10									
	Sidewalk B	190	206	158	114	268	240	123	122	213	76	34	59									
	Sidewalk C	24	28	294	308	21	29	279	250	19	23	240	91									
	Sidewalk D	73	23	0	0	127	47	0	0	54	36	0	0									
	Corner A & B	0	0	7	7	0	0	44	44	0	0	6	6									
	Corner C & D	16	17	0	0	13	13	0	0	13	8	0	0									
	Crosswalk (A-B-C)	33	9	300	297	21	24	284	251	9	37	228	87									
	Crosswalk (C-D-A)	24	11	31	9	13	17	33	29	4	16	11	29									
Eleventh Ave & West 38th	Sidewalk A	0	0	38	24	0	0	140	42	0	0	77	13									
	Sidewalk B	67	104	30	28	211	177	130	138	231	41	19	31									
	Sidewalk C	35	55	65	112	39	47	215	181	45	34	252	40									
	Sidewalk D	31	21	0	0	112	28	0	0	59	10	0	0									
	Corner A & B	0	0	12	15	0	0	52	52	0	0	8	8									
	Corner C & D	13	31	0	0	17	16	0	0	29	9	0	0									
	Crosswalk (A-B-C)	7	8	63	96	32	40	216	182	6	17	229	40									
	Crosswalk (C-D-A)	9	16	9	9	18	27	19	19	7	20	7	8									
Eleventh Ave & West 39th	Sidewalk A	0	0	34	77	0	0	161	60	0	0	78	21	0	0	11	10	0	0	154	23	
	Sidewalk B	65	110	5	6	183	136	4	13	287	41	2	12	8	5	1	1	359	37	86	3	
	Sidewalk C	21	57	71	185	19	27	176	141	56	29	338	42	3	265	7	241	388	12	691	32	
	Sidewalk D	38	24	12	35	140	42	1	0	77	13	11	37	8	208	174	0	815	16	0	218	
	Corner A & B	0	0	0	1	0	0	0	0	0	0	1	0	0	0	0	0	0	0	0	0	0
	Corner C & D	1	37	12	2	5	4	0	0	42	2	12	2	1	132	0	0	188	0	49	0	
	Crosswalk (A-B-C)	28	6	65	133	10	12	183	142	5	11	286	44	1	1	8	5	47	4	398	38	
	Crosswalk (C-D-A)	35	26	31	50	9	11	150	50	11	34	73	17	2	28	10	10	81	4	529	20	
Eleventh Ave & West 40th	Sidewalk A	63	13	34	35	28	28	183	41	11	66	95	14									
	Sidewalk B	53	99	26	77	143	96	36	122	279	33	8	156									
	Sidewalk C	2	0	63	108	0	0	169	122	1	3	285	40									
	Sidewalk D	34	77	0	0	161	60	0	0	78	21	0	0									
	Corner A & B	0	0	1	4	0	0	2	2	0	0	4	0									
	Corner C & D	1	1	0	0	0	0	0	0	1	1	0	0									
	Crosswalk (A-B-C)	10	67	63	106	7	93	169	122	2	144	282	39									
	Crosswalk (C-D-A)	1	0	32	77	0	0	161	60	0	2	77	19									
Eleventh Ave & West 42nd	Sidewalk A	-44	-29	0	48	-97	-82	44	57	12	70	92	18	35	37	24	28	-42	-27	45	17	
	Sidewalk B	44	63	-9	-22	92	108	-27	-17	49	46	4	30	7	6	15	11	268	34	-9	-8	
	Sidewalk C	139	178	58	112	97	276	155	108	40	392	296	37	43	41	13	8	190	179	243	34	
	Sidewalk D	15	27	3	3	50	51	3	3	33	16	2	2	10	8	0	0	176	15	2	37	
	Corner A & B	0	0	2	5	0	0	0	0	0	0	3	1	4	4	1	1	-2	0	1	1	
	Corner C & D	20	12	0	0	41	14	0	0	113	10	0	0	2	1	0	0	20	8	35	0	
	Crosswalk (A-B-C)	16	-26	63	160	-21	-7	124	158	5	78	102	63	28	26	21	20	19	7	271	58	
	Crosswalk (C-D-A)	69	133	21	76	32	224	69	92	6	333	92	33	34	29	29	29	167	138	150	27	
Tenth Ave & W. 29th St	Sidewalk A	6	5	168	130	11	10	456	464	4	5	91	136									
	Sidewalk B	58	41	10	19	124	122	47	45	31	49	18	6									
	Sidewalk C	10	19	47	37	47	45	122	123	18	6	28	37									
	Sidewalk D	127	101	8	5	342	342	11	12	73	97	4	8									
	Corner A & B	4	3	6	1	10	11	1	1	2	3	0	7									
	Corner C & D	0	0	0	0	0	0	0	0	0	0	0	0									
	Crosswalk (A-B-C)	10	14	51	39	47	45	123	121	12	7	29	41									
	Crosswalk (C-D-A)	8	13	149	116	47	43	399	404	12	3	82	120									
Tenth Ave & W. 30th St	Sidewalk A	125	153	169	145	351	351	594	593	121	91	103	120	22	446	29	230	554	91	320	103	
	Sidewalk B	76	41	73	88	95	96	254	255	39	85	64	51	2	-4	3	23	14	-10	74	43	
	Sidewalk C	14	27	75	54	62	64	184	183	26	17	42	62	-2	-3	16	-1	10	-8	20	37	
	Sidewalk D	184	144	8	13	518	526	16	13	102	149	15	10	3	-2	-1	4	56	43	18	-12	
	Corner A & B	-1	3	11	2	0	3	1	1	6	1	2	12	10	1053	0	0	1072	0	3	1	
	Corner C & D	0	0	0	0	0	0	0	0	0	0	0	0	0	0	0	0	0	0	0	0	
	Crosswalk (A-B-C)	99	105	73	46	312	318	150	148	76	69	37	68	4	31	9	-2	105	51	13	12	
	Crosswalk (C-D-A)	26	31	209	169	99	100	626	630	23	24	119	162	-2	4	7	1	35	-1	78	71	
Tenth Ave & W. 31st St	Sidewalk A	0	38	556	194	0	0	753	738	0	0	175	502	0	0	114	936	0	0	1046	242	
	Sidewalk B	75	53	83	418	176	176	118	119	53	89	452	94	1	610	34	1757	629	9	2275	33	
	Sidewalk C	37	64	95	57	108	121	152	154	60	41	47	98	3	21	5	-2	23	19	13	5	
	Sidewalk D	172	147	0	0	596	594	0	0	106	123	0	0	19	1055	0	0	1157	71	0	0	
	Corner A & B	0	0	4	3	0	0	1	1	0	0	2	4	0	0	0	2	0	0	2	6	
	Corner C & D	0	0	0	0	0	0	0	0	0	0	0	0	-1	-1	0	0	-4	-4	0	0	
	Crosswalk (A-B-C)	81	417	95	64	201	201	175	177	454	90	49	100	27	1776	7	590	1893	42	628	15	
	Crosswalk (C-D-A)	29	57	0	0	85	98	0	0	60	39	0	0	4	612	0	0	627	17	0	0	
Tenth Ave & W. 33rd St	Sidewalk A	148	543	523	363	235	261	679	698	583	187	280	494	30	151	20	43	235	47	169	157	
	Sidewalk B	204	142	116	599	398	305	160	174	497	175	613	166	18	83	20	426	195	80	441	37	
	Sidewalk C	385	1046	108	117	338	356	232	228	1171	428	136	117	82	2351	6	616	2601	117	638	21	
	Sidewalk D	223	437	393	685	814	773	517	494	666	188	852	414	469	488	59	1913	641	568	2135	142	
	Corner A & B	0	0	25	6	0	0	9	7	0	0	19	25	0	2	1	2	15	0	5	8	
	Corner C & D	4	11	7	3	0	1	27	26	16	9	3	7	0	581	443	0	594	-3	2	458	
	Crosswalk (A-B-C)	165	714	327	212	278	238	329	290	952	190	338	326	37	387	14	136	472	54	184	87	
	Crosswalk (C-D-A)	410	902	426	399	474	457	881	835	1165	440	536	391	73	1854	27	124	2094	131	253	157	
Tenth Ave & W. 34th St	Sidewalk A	109	519	472	212	549	576	615	633	617	106	178	525	19	31	19	27	101	69	148	136	
	Sidewalk B	167	153	56	395	347	364	247	260	128	199	414	77	16	23	15	150	127	115	142	36	
	Sidewalk C	75	696	199	203	438	529	362	344	570	108	251	178	14	350	15	84	379	59	180	83	
	Sidewalk D	324	601	71	325	891	906	600	593	702	289	446	69	30	86	52	296	238	163	296	45	
	Corner A & B	55	2	19	10	22	7	17	9	6	0	18	9	2	2	3	1	22	1	16	8	
	Corner C & D	11	15	29	5	31	17	15	15	118	-8	4	26	5	62	0	1	84	1	3	5	
	Crosswalk (A-B-C)	84	476	236	172	416	380	390	458	681	89	117	445	26	119	11	60	168	52	111	121	
	Crosswalk (C-D-A)	106	675	421	473	744	663	929	1019	1173	116	235	503	71	338	19	51					

**Appendix S.5.2**  
**NET INCREMENTAL PEDESTRIAN VOLUMES (SIDEWALKS, CORNERS, AND CROSSWALKS)**  
**2025 FUTURE WITH THE PROPOSED ACTION**

Intersection	Elements	Weekday AM Peak 15-Min.				Weekday MD Peak 15-Min.				Weekday PM Peak 15-Min.				Special Events Evening Peak 15-Min.				Special Events Sunday Peak 15-Min.			
Tenth Ave & W. 36th St	Sidewalk A	70	109	195	208	109	119	504	503	120	80	164	131								
	Sidewalk B	146	147	82	158	347	348	150	161	119	120	176	96								
	Sidewalk C	45	77	153	151	179	190	295	297	61	46	116	120								
	Sidewalk D	203	262	34	65	621	621	146	153	225	145	79	58								
	Corner A & B	3	8	13	12	2	2	16	16	7	2	8	9								
	Corner C & D	9	10	3	0	10	11	0	0	7	8	0	5								
	Crosswalk (A-B-C)	92	152	135	151	171	182	315	316	167	106	128	110								
	Crosswalk (C-D-A)	63	113	201	242	229	239	564	564	111	73	209	147								
Tenth Ave & W. 37th St	Sidewalk A	115	169	191	184	275	278	364	363	140	88	146	127								
	Sidewalk B	175	169	107	146	337	338	234	241	129	148	120	90								
	Sidewalk C	52	121	145	140	119	130	303	305	102	50	104	110								
	Sidewalk D	210	212	16	65	483	477	47	54	177	144	77	24								
	Corner A & B	3	4	20	18	10	10	25	24	3	3	13	13								
	Corner C & D	9	10	1	0	10	11	0	0	7	8	0	2								
	Crosswalk (A-B-C)	142	185	139	130	303	302	306	301	171	115	109	104								
	Crosswalk (C-D-A)	73	306	220	202	139	142	439	435	288	71	162	138								
Tenth Ave & W. 38th St	Sidewalk A	90	188	187	242	274	300	294	291	146	89	196	149								
	Sidewalk B	139	157	63	137	284	271	184	200	143	111	98	63								
	Sidewalk C	52	97	180	153	145	152	303	303	90	52	125	163								
	Sidewalk D	182	220	38	130	333	322	148	152	159	134	138	40								
	Corner A & B	6	27	3	2	17	17	8	8	24	5	1	2								
	Corner C & D	21	21	1	0	22	22	0	0	15	15	0	2								
	Crosswalk (A-B-C)	102	203	136	131	260	285	288	279	148	96	121	114								
	Crosswalk (C-D-A)	69	135	187	251	183	180	339	335	145	61	184	143								
Tenth Ave & W. 39th St	Sidewalk A	17	201	150	317	31	39	226	227	191	30	270	134								
	Sidewalk B	172	316	15	58	306	287	36	45	312	152	53	23								
	Sidewalk C	53	104	127	142	138	147	231	218	94	54	132	105								
	Sidewalk D	200	256	32	179	263	260	149	157	213	167	171	41								
	Corner A & B	6	81	2	1	7	7	4	4	77	8	1	2								
	Corner C & D	15	15	0	0	16	16	0	0	10	12	0	0								
	Crosswalk (A-B-C)	38	147	146	225	53	60	279	263	142	45	221	128								
	Crosswalk (C-D-A)	67	182	172	262	170	175	248	247	175	70	218	148								
Tenth Ave & W. 40th St	Sidewalk A	51	55	214	333	102	142	265	267	30	68	281	184								
	Sidewalk B	302	365	54	160	440	424	115	132	354	280	147	58								
	Sidewalk C	7	32	170	315	14	33	291	273	20	18	311	151								
	Sidewalk D	149	316	2	4	212	213	0	0	269	133	5	3								
	Corner A & B	31	31	108	9	34	34	64	68	24	24	9	112								
	Corner C & D	2	2	0	0	1	1	0	0	2	1	1	0								
	Crosswalk (A-B-C)	72	112	181	310	135	167	310	282	84	78	312	156								
	Crosswalk (C-D-A)	15	24	153	309	22	32	212	204	17	19	274	135								
Tenth Ave & W. 41st St	Sidewalk A	17	12	108	179	36	54	164	179	3	28	120	97								
	Sidewalk B	142	187	14	25	329	293	37	55	245	100	15	22								
	Sidewalk C	48	69	484	995	82	103	565	545	38	51	941	462								
	Sidewalk D	226	341	66	231	258	260	111	176	304	199	160	180								
	Corner A & B	0	0	4	3	0	0	8	8	0	0	3	7								
	Corner C & D	22	34	26	25	54	58	28	28	15	19	19	19								
	Crosswalk (A-B-C)	57	32	118	199	76	88	313	284	23	45	234	76								
	Crosswalk (C-D-A)	157	386	132	184	182	240	183	192	317	259	139	114								
Tenth Ave & W. 42nd St	Sidewalk A	12	-3	55	72	7	14	101	101	20	39	59	42								
	Sidewalk B	66	73	16	52	193	190	23	52	69	53	30	38								
	Sidewalk C	265	443	94	149	235	399	227	188	293	503	227	54								
	Sidewalk D	96	165	194	233	137	152	165	339	110	87	88	431								
	Corner A & B	-7	-5	0	1	-8	-8	1	0	2	0	2	0								
	Corner C & D	20	25	16	23	46	12	17	17	105	9	21	13								
	Crosswalk (A-B-C)	47	23	91	155	32	37	227	245	22	45	116	75								
	Crosswalk (C-D-A)	188	220	71	147	172	324	114	149	94	415	77	79								
Dyer Ave & W. 42nd St	Sidewalk A	10	45	0	0	10	39	0	0	25	33	0	0								
	Sidewalk B	0	0	10	45	0	0	10	39	0	0	25	33								
	Sidewalk C	111	192	0	0	131	226	0	0	131	177	0	0								
	Sidewalk D	0	0	111	192	0	0	131	226	0	0	131	177								
	Corner A & B	0	0	0	0	0	0	0	0	0	0	0	0								
	Corner C & D	0	0	0	0	0	0	0	0	0	0	0	0								
	Crosswalk (A-B-C)	0	0	0	0	0	0	0	0	0	0	0	0								
	Crosswalk (C-D-A)	111	192	0	0	131	226	0	0	131	177	0	0								
Ninth Ave & W. 30th St	Sidewalk A	71	80	30	28	227	229	115	114	59	49	25	26	6	24	69	3	83	50	296	20
	Sidewalk B	37	35	14	24	108	106	34	35	33	31	25	17	23	0	-1	32	124	19	19	74
	Sidewalk C	13	22	70	67	31	34	209	206	20	17	50	49	-1	12	17	1	2	124	130	41
	Sidewalk D	58	55	11	20	213	210	36	38	39	39	20	14	43	-1	-1	-3	110	25	9	-11
	Corner A & B	0	0	0	0	-1	0	0	-1	1	1	0	0	1	0	6	0	2	0	36	0
	Corner C & D	1	1	0	0	1	1	0	0	0	0	0	0	0	0	-2	-2	1	1	60	-5
	Crosswalk (A-B-C)	42	52	69	67	127	129	206	204	42	34	50	50	2	31	22	1	39	105	158	41
	Crosswalk (C-D-A)	12	21	59	57	30	33	213	210	20	16	40	42	-1	7	57	2	1	95	225	48
Ninth Ave & W. 31st St	Sidewalk A	83	402	66	247	150	149	181	179	460	108	257	64	20	672	121	491	620	355	627	210
	Sidewalk B	55	184	28	38	177	175	84	81	186	48	55	32	1	1	11	2100	16	15	1857	352
	Sidewalk C	20	35	62	58	35	48	189	186	38	28	46	48	2	50	26	2	15	63	140	34
	Sidewalk D	54	52	33	85	195	193	82	94	38	41	56	40	69	3	5	22	370	31	25	20
	Corner A & B	33	208	3	3	42	42	-1	-1	232	43	2	2	32	63	0	0	74	87	3	3
	Corner C & D	0	0	11	8	0	0	21	21	0	0	7	10	0	0	1	1	0	0	5	6
	Crosswalk (A-B-C)	46	184	42	40	113	112	166	163	219	58	33	32	10	2126	29	2	1856	430	104	23
	Crosswalk (C-D-A)	37	54	55	54	55	69	176	175	55	43	42	42	3	48	96	2	26	101	453	34
Ninth Ave & W. 33rd St	Sidewalk A	110	533																		

**Appendix S.5.2**  
**NET INCREMENTAL PEDESTRIAN VOLUMES (SIDEWALKS, CORNERS, AND CROSSWALKS)**  
**2025 FUTURE WITH THE PROPOSED ACTION**

Intersection	Elements	Weekday AM Peak 15-Min.				Weekday MD Peak 15-Min.				Weekday PM Peak 15-Min.				Special Events Evening Peak 15-Min.				Special Events Sunday Peak 15-Min.			
Ninth Ave & W. 34th St	Sidewalk A	48	369	106	98	210	217	289	286	408	67	79	83	14	37	12	318	56	31	71	398
	Sidewalk B	66	87	30	279	268	266	103	62	64	54	496	29	9	30	14	596	58	90	198	267
	Sidewalk C	40	358	114	144	67	86	328	335	378	66	114	104	10	590	10	271	451	387	158	274
	Sidewalk D	169	142	74	798	345	394	408	500	71	182	570	111	13	928	17	351	160	922	384	63
	Corner A & B	5	8	2	2	65	65	4	1	7	3	-8	1	0	0	0	0	3	3	0	2
	Corner C & D	1	105	322	18	1	2	217	141	9	2	35	68	1	133	46	5	89	138	24	16
	Crosswalk (A-B-C)	43	321	104	86	149	135	234	200	425	60	165	57	13	377	9	247	167	164	95	198
	Crosswalk (C-D-A)	102	468	150	98	246	264	248	224	457	85	133	113	14	588	10	549	410	349	105	540
Ninth Ave & W. 37th St	Sidewalk A	96	131	61	69	191	200	201	202	110	84	62	55								
	Sidewalk B	78	68	47	78	229	229	71	79	52	62	77	51								
	Sidewalk C	30	84	94	80	59	67	254	256	79	33	63	72								
	Sidewalk D	74	74	49	112	223	223	84	95	63	59	97	49								
	Corner A & B	12	14	0	0	16	17	1	1	11	10	0	0								
	Corner C & D	0	0	7	3	-1	-1	1	1	0	0	2	3								
	Crosswalk (A-B-C)	71	104	95	84	130	137	262	263	92	67	68	76								
	Crosswalk (C-D-A)	41	97	73	78	70	78	231	232	88	42	68	63								
Ninth Ave & W. 38th St	Sidewalk A	53	123	27	32	147	163	121	120	89	56	35	27								
	Sidewalk B	82	189	21	31	209	237	23	31	107	81	31	32								
	Sidewalk C	123	56	69	55	80	64	181	181	63	53	44	58								
	Sidewalk D	67	56	43	85	156	158	108	115	57	65	81	45								
	Corner A & B	2	27	0	0	8	14	1	1	9	5	0	0								
	Corner C & D	4	4	3	2	3	2	1	2	3	3	3	4								
	Crosswalk (A-B-C)	38	77	95	174	87	96	236	263	71	45	91	93								
	Crosswalk (C-D-A)	49	81	45	41	86	95	157	158	81	55	46	45								
Ninth Ave & W. 39th St	Sidewalk A	14	58	47	50	32	42	118	107	53	23	70	34								
	Sidewalk B	94	252	-3	14	213	247	19	27	137	97	15	13								
	Sidewalk C	26	33	70	175	30	39	161	187	37	32	95	73								
	Sidewalk D	13	20	45	93	71	69	111	119	20	14	86	48								
	Corner A & B	3	5	-1	-1	9	1	1	1	33	0	-1	-1								
	Corner C & D	1	0	0	-2	1	3	0	-2	-9	1	-1	0								
	Crosswalk (A-B-C)	7	51	90	219	21	35	210	239	37	20	119	92								
	Crosswalk (C-D-A)	26	72	38	43	69	81	110	105	60	37	50	28								
Ninth Ave & W. 42nd St	Sidewalk A	10	45	20	31	10	39	78	79	25	33	20	10								
	Sidewalk B	38	41	26	116	88	88	23	62	35	32	85	58								
	Sidewalk C	73	74	35	52	56	130	89	88	52	135	42	24								
	Sidewalk D	28	32	111	192	74	75	131	226	26	24	131	177								
	Corner A & B	1	1	0	0	0	1	0	0	1	2	0	0								
	Corner C & D	3	0	3	3	4	1	9	9	7	1	3	3								
	Crosswalk (A-B-C)	18	67	44	88	22	52	91	101	53	41	63	46								
	Crosswalk (C-D-A)	81	114	34	87	87	171	89	100	74	146	60	33								
Eighth Ave & W. 30th St	Sidewalk A	10	16	69	43	21	22	65	61	21	15	44	65	1	33	9	6	27	82	30	26
	Sidewalk B	186	78	13	52	219	219	27	29	83	194	58	20	14	31	1	2	64	47	1	-2
	Sidewalk C	6	15	128	54	17	19	147	147	17	12	56	133	-1	1	31	7	-3	-6	182	34
	Sidewalk D	47	37	25	16	70	67	22	23	38	44	19	33	5	1	0	12	20	13	0	122
	Corner A & B	2	2	40	9	3	2	24	24	1	1	11	45	0	0	2	2	2	2	4	5
	Corner C & D	0	0	0	0	0	0	0	0	0	0	0	0	0	0	0	0	0	0	0	0
	Crosswalk (A-B-C)	12	18	141	64	21	23	180	179	21	15	65	144	0	32	22	9	17	71	114	39
	Crosswalk (C-D-A)	8	14	63	37	17	19	59	55	16	13	41	62	-1	11	6	2	-2	68	22	16
Eighth Ave & W. 31st St	Sidewalk A	24	30	33	28	69	66	49	46	50	29	27	27	4	176	3	3	97	125	19	18
	Sidewalk B	148	65	140	69	178	174	179	181	76	149	74	148	15	15	14	770	78	82	665	136
	Sidewalk C	13	50	194	84	29	39	235	235	57	21	86	201	1	55	16	32	12	106	53	51
	Sidewalk D	78	53	18	59	86	82	30	42	52	75	33	26	9	4	2	49	34	27	12	59
	Corner A & B	0	1	0	1	0	0	0	0	1	1	1	0	0	1	0	0	0	1	0	0
	Corner C & D	0	0	8	4	0	0	3	3	0	0	5	8	0	0	0	1	0	0	3	3
	Crosswalk (A-B-C)	24	29	266	109	62	59	305	304	47	27	113	276	12	1369	48	16	1188	279	116	66
	Crosswalk (C-D-A)	49	38	36	30	53	65	56	52	42	58	29	31	4	52	5	0	21	68	20	12
Eighth Ave & W. 33rd St	Sidewalk A	58	176	56	75	49	50	73	76	181	78	71	56	5	258	6	52	171	130	59	44
	Sidewalk B	151	262	14	120	366	325	30	33	437	120	115	24	21	164	44	261	189	144	141	151
	Sidewalk C	213	98	195	206	230	251	238	227	90	304	287	215	16	438	17	25	383	153	94	112
	Sidewalk D	38	28	33	149	43	39	78	69	23	31	162	54	-1	-2	22	1989	3	0	1803	363
	Corner A & B	1	1	0	0	0	0	0	0	2	1	1	0	0	38	0	0	0	44	0	1
	Corner C & D	0	0	3	0	0	0	0	0	0	0	0	4	0	0	0	0	0	0	1	2
	Crosswalk (A-B-C)	53	144	190	352	70	66	433	398	146	59	530	173	48	403	24	57	266	188	110	149
	Crosswalk (C-D-A)	75	84	53	89	72	74	56	54	91	100	98	55	21	1432	5	31	1295	306	26	59
Eighth Ave & W. 34th St	Sidewalk A	70	212	95	87	64	28	64	67	407	102	76	97	8	73	6	10	56	70	27	34
	Sidewalk B	86	143	12	66	210	212	7	38	122	84	44	38	10	43	4	200	61	69	110	112
	Sidewalk C	18	110	200	260	25	49	354	313	114	47	438	171	4	602	22	165	456	185	187	143
	Sidewalk D	53	69	32	349	57	59	48	68	66	55	368	60	5	126	10	590	103	65	423	226
	Corner A & B	-1	-4	1	1	-14	-14	4	0	16	2	4	0	1	1	1	1	-2	-1	1	3
	Corner C & D	8	13	6	3	29	18	1	2	48	8	5	7	7	122	0	0	116	40	2	2
	Crosswalk (A-B-C)	45	192	154	225	45	53	313	271	251	91	393	119	6	230	14	79	129	118	95	121
	Crosswalk (C-D-A)	41	173	46	91	37	50	58	65	189	51	76	52	8	549	6	57	417	190	47	54
Eighth Ave & W. 37th St	Sidewalk A	31	57	12	24	45	52	27	26	59	37	43	31								
	Sidewalk B	11	33	10	19	20	20	15	23	42	16	16	19								
	Sidewalk C	5	26	33	33	10	20	64	63	21	16	35	34								
	Sidewalk D	25	11	18	68	20	20	37	45	22	36	67	25								
	Corner A & B	2	23	0	0	9	8	0	0	27	4	0	0								
	Corner C & D	3	5	5	1	8	8	1	0	5	4	1	2								
	Crosswalk (A-B-C)	18	24	21	45	26	34	48	47	20	24	53	27								
	Crosswalk (C-D-A)	16	61	21	12	34	43	25	24	64	24	26	38								
Eighth Ave & W. 38th St	Sidewalk A	14	18	38	-4	3	11	47	47	20	27	44	57								



**Appendix S.5.2**  
**NET INCREMENTAL PEDESTRIAN VOLUMES (SIDEWALKS, CORNERS, AND CROSSWALKS)**  
**2025 FUTURE WITH THE PROPOSED ACTION**

Intersection	Elements	Weekday AM Peak 15-Min.				Weekday MD Peak 15-Min.				Weekday PM Peak 15-Min.				Special Events Evening Peak 15-Min.				Special Events Sunday Peak 15-Min.			
<b>Blvd &amp; W. 36th St</b>	Sidewalk A	40	81	229	140	82	88	542	541	98	66	125	217	12	12	14	19	98	37	131	83
	Sidewalk B	189	145	38	80	351	342	102	109	132	165	106	60	16	18	11	10	145	89	96	37
	Sidewalk C	36	101	310	260	151	157	416	414	121	61	139	189	12	245	13	132	318	39	242	81
	Sidewalk D	253	231	190	176	639	638	86	83	200	208	86	101	12	313	19	78	190	89	164	49
	Corner A & B	5	4	3	2	13	13	3	3	8	8	1	1	2	3	0	0	32	5	2	2
	Corner C & D	8	28	0	0	52	52	0	0	29	7	0	0	1	118	0	0	143	6	0	0
	Crosswalk (A-B-C)	50	95	195	149	124	129	355	347	114	73	129	191	14	12	14	16	108	46	137	83
	Crosswalk (C-D-A)	164	225	260	174	175	174	591	589	161	87	164	248	18	134	14	20	224	52	140	96
<b>Blvd &amp; W. 37th St</b>	Sidewalk A	52	91	204	478	218	220	556	555	92	43	440	209	6	7	17	19	101	32	139	83
	Sidewalk B	182	151	84	109	339	335	265	263	137	152	125	68	17	25	12	10	139	99	146	56
	Sidewalk C	17	74	209	155	49	55	320	314	88	24	145	187	3	2	17	20	57	13	146	100
	Sidewalk D	216	564	29	23	555	549	21	29	553	212	14	28	20	21	2	4	153	91	72	15
	Corner A & B	1	1	1	1	7	7	1	1	1	1	1	1	0	2	0	0	27	1	1	1
	Corner C & D	3	11	0	5	3	3	1	1	12	3	5	0	0	0	0	0	21	2	0	0
	Crosswalk (A-B-C)	93	129	204	162	329	329	315	308	138	74	153	177	11	14	18	22	132	65	162	100
	Crosswalk (C-D-A)	39	108	246	519	80	85	546	543	120	39	487	241	5	5	19	22	83	25	156	95
<b>Blvd &amp; W. 38th St</b>	Sidewalk A	49	93	188	747	209	216	420	418	93	46	695	196	5	5	27	22	98	31	169	85
	Sidewalk B	140	170	45	139	232	233	250	262	146	114	116	49	16	20	10	7	156	96	74	37
	Sidewalk C	38	130	188	170	148	152	298	297	139	40	142	165	10	18	19	29	71	28	135	102
	Sidewalk D	179	943	53	38	507	505	38	47	885	185	25	54	31	23	4	7	150	80	83	27
	Corner A & B	0	0	2	0	0	0	1	1	0	0	1	2	0	0	0	1	37	0	1	1
	Corner C & D	5	10	1	18	48	48	3	2	10	4	21	1	1	7	0	0	22	4	1	0
	Crosswalk (A-B-C)	74	164	161	194	296	307	242	244	138	66	162	138	11	8	19	22	109	52	136	96
	Crosswalk (C-D-A)	72	214	209	815	162	167	451	454	213	67	755	230	16	16	24	19	100	48	158	83

**Appendix S.5.2**  
**PEDESTRIAN VOLUMES (SIDEWALKS, CORNERS, AND CROSSWALKS)**  
**2010 FUTURE WITH THE PROPOSED ACTION**

Intersection	Elements	Weekday		Weekday		Weekday		Special Events		Special Events											
		AM	PM	MD	PM	Evening	Sunday	Evening	Sunday	Evening	Sunday										
Rt 9A & West 30th St	Sidewalk A	0	0	22	40	0	0	12	20	0	0	34	18	0	0	17	13	0	0	20	26
	Sidewalk B	0	0	0	0	2	0	0	0	0	6	1	1	4	5	4	3	0	7	2	1
	Sidewalk C	2	0	2	2	1	0	1	1	1	2	1	1	0	0	1	2	1	1	0	0
	Sidewalk D	20	26	0	0	13	20	0	0	31	18	0	0	17	14	0	0	20	26	0	0
	Corner A & B	0	0	0	0	0	0	0	0	0	0	4	0	0	0	4	2	0	0	1	0
	Corner C & D	0	0	0	0	0	0	0	0	0	0	0	0	0	0	0	0	0	0	0	0
	Crosswalk (A-B-C)	0	0	1	0	0	0	1	2	0	0	0	5	0	0	2	1	0	1	0	6
	Crosswalk (C-D-A)	6	2	24	36	1	1	14	31	2	2	28	31	0	0	24	14	0	2	20	24
Rt 9A & West 34th St	Sidewalk A	1	1	0	7	0	0	4	6	0	0	6	3	0	0	0	1074	0	0	1092	19
	Sidewalk B	0	3	4	10	1	6	11	17	7	1	8	13	1	605	0	2	612	3	3	0
	Sidewalk C	31	21	0	0	61	49	2	0	46	60	0	0	1680	2	1	0	66	1739	5	0
	Sidewalk D	9	2	0	0	2	3	2	0	3	0	0	0	0	0	0	0	16	19	0	0
	Corner A & B	3	0	3	1	7	7	7	8	3	13	5	13	0	0	0	4	0	0	3	0
	Corner C & D	3	0	3	0	4	3	4	3	2	9	2	8	0	0	0	0	0	0	0	0
	Crosswalk (A-B-C)	3	8	0	3	9	10	3	2	8	7	11	0	0	0	1	605	0	0	611	0
	Crosswalk (C-D-A)	32	19	0	4	61	48	3	4	46	46	0	3	1074	0	9	14	67	1133	13	13
Rt 9A & West 39th St	Sidewalk A	0	0	0	0	0	0	0	0	0	0	0	0								
	Sidewalk B	0	0	0	0	7	4	0	0	3	0	0	0								
	Sidewalk C	15	12	1	5	41	43	10	7	25	36	11	0								
	Sidewalk D	0	3	0	0	1	13	0	0	6	2	0	0								
	Corner A & B	1	2	0	0	0	0	0	0	0	0	0	0								
	Corner C & D	0	0	0	0	0	0	0	0	0	2	0	0								
	Crosswalk (A-B-C)	2	0	0	0	0	0	6	3	0	0	3	0								
	Crosswalk (C-D-A)	26	16	33	43	34	33	30	16	22	43	40	29								
Rt 9A & West 40th St	Sidewalk A	0	0	0	0	0	1	1	0	1	3	0	0								
	Sidewalk B	0	1	1	0	3	0	0	2	3	0	0	3								
	Sidewalk C	0	0	0	0	0	1	2	0	0	0	1	0								
	Sidewalk D	0	0	0	0	0	0	0	0	0	0	0	0								
	Corner A & B	0	0	0	1	0	0	0	1	0	0	1	0								
	Corner C & D	0	0	0	0	1	0	0	0	0	0	0	0								
	Crosswalk (A-B-C)	0	0	2	0	0	0	1	4	0	0	1	0								
	Crosswalk (C-D-A)	0	2	26	47	0	1	20	18	1	2	43	36								
Rt 9A & West 42nd St	Sidewalk A	2	0	4	0	2	6	1	1	28	0	0	1								
	Sidewalk B	4	10	24	40	10	18	24	72	4	25	65	49								
	Sidewalk C	32	38	0	5	53	54	6	2	62	49	10	4								
	Sidewalk D	2	3	0	3	0	0	2	2	0	7	1	0								
	Corner A & B	0	0	4	5	3	0	14	6	23	0	6	1								
	Corner C & D	4	0	0	0	0	1	0	0	2	4	0	0								
	Crosswalk (A-B-C)	24	30	1	13	50	63	8	7	57	53	2	17								
	Crosswalk (C-D-A)	27	31	32	46	49	51	35	35	38	46	14	16								
Eleventh Ave & West 29th	Sidewalk A	0	0	31	4	2	1	40	31	0	4	29	58								
	Sidewalk B	51	9	3	51	56	91	22	31	28	95	86	25								
	Sidewalk C	4	9	28	10	16	6	47	70	12	2	19	46								
	Sidewalk D	7	2	0	0	33	24	0	0	16	16	5	2								
	Corner A & B	0	0	24	1	0	0	17	9	0	1	12	41								
	Corner C & D	0	4	0	0	3	4	0	0	2	3	1	0								
	Crosswalk (A-B-C)	2	26	25	5	5	13	42	78	41	12	16	51								
	Crosswalk (C-D-A)	0	0	8	4	2	1	31	27	2	0	18	15								
Eleventh Ave & West 30th	Sidewalk A	2	12	30	4	13	15	42	34	29	17	28	49	0	0	1	2	0	0	6	10
	Sidewalk B	34	8	12	13	56	96	66	91	23	59	28	28	8	10	6	759	30	40	1220	26
	Sidewalk C	7	5	55	7	14	13	73	113	8	11	44	100	3	32	75	8	124	8	35	173
	Sidewalk D	32	7	1	0	56	44	3	2	31	58	5	0	165	1	0	1	10	330	2	0
	Corner A & B	0	5	3	4	18	14	30	24	4	13	9	11	0	0	3	0	0	0	4	7
	Corner C & D	4	4	0	4	14	12	14	9	2	14	2	8	1	1	0	0	4	2	0	0
	Crosswalk (A-B-C)	5	26	16	4	34	49	71	64	50	15	31	29	1	807	53	2	1202	10	13	18
	Crosswalk (C-D-A)	1	19	52	4	6	8	60	56	30	7	38	82	2	52	216	3	243	1	10	570
Eleventh Ave & West 33rd	Sidewalk A	0	1	24	39	2	0	46	39	0	0	93	32	0	0	2	3444	0	1	3942	28
	Sidewalk B	45	15	13	27	141	133	69	110	48	63	47	58	17	6	5	694	558	56	873	47
	Sidewalk C	2	26	31	6	5	24	53	73	36	29	24	42	2	3048	3	8	2972	16	20	27
	Sidewalk D	19	6	1	4	24	16	0	0	10	19	1	0	4	4	0	1	2	7	0	2
	Corner A & B	0	0	10	11	1	0	83	66	0	0	29	19	0	0	4	9	0	0	35	31
	Corner C & D	0	0	0	0	1	0	0	0	0	1	0	0	0	0	1	0	0	2	0	0
	Crosswalk (A-B-C)	5	23	38	6	5	25	56	73	29	34	31	46	1	681	3	7	1352	15	27	34
	Crosswalk (C-D-A)	5	22	20	10	5	20	26	16	36	25	20	16	0	3048	2	2	2965	10	12	14
Eleventh Ave & West 34th	Sidewalk A	8	18	84	11	15	31	83	8	12	15	178	4	11	5	3	369	9	5	968	115
	Sidewalk B	85	23	76	29	176	145	196	194	79	87	53	113	6	463	3	206	1111	67	298	83
	Sidewalk C	13	101	59	16	40	113	134	128	75	180	52	61	41	504	97	4	541	129	554	74
	Sidewalk D	24	42	36	21	58	57	74	52	133	34	51	59	3	3443	1681	3	3943	27	67	1739
	Corner A & B	1	2	6	2	0	2	75	70	0	0	17	5	2	0	2	1	1	0	13	16
	Corner C & D	1	1	0	5	1	7	5	5	0	6	29	0	0	25	3	1681	50	3	1875	0
	Crosswalk (A-B-C)	93	49	87	24	65	78	166	143	40	128	104	92	5	182	4	487	418	72	1034	83
	Crosswalk (C-D-A)	19	78	71	28	52	100	93	56	76	157	150	71	10	981	1	792	949	88	1292	102
Eleventh Ave & West 35th	Sidewalk A	0	0	12	14	0	0	67	14	0	0	42	7								
	Sidewalk B	138	177	1	4	121	110	8	15	77	33	3	13								
	Sidewalk C	6	21	160	178	1	51	158	123	0	58	128	30								
	Sidewalk D	86	10	0	0	86	7	0	0	180	5	0	0								
	Corner A & B	0	0	0	1	0	0	0	1	0	0	2	0								
	Corner C & D	0	1	0	0	0	0	0	0	0	0	0	0								
	Crosswalk (A-B-C)	1	5	137	178	4	18	131	120	3	15	76	32								
	Crosswalk (C-D-A)	6	47	4	4	5	72	4	5	1	111	5	6								
Eleventh Ave & West 36th	Sidewalk A	0	0	14	12	0	0	72	11	0	0	44	5								
	Sidewalk B	6	46	1	3	95	85	4	13	58	20	1	9								
	Sidewalk C																				

**Appendix S.5.2**  
**PEDESTRIAN VOLUMES (SIDEWALKS, CORNERS, AND CROSSWALKS)**  
**2010 FUTURE WITH THE PROPOSED ACTION**

Intersection	Elements	Weekday AM Peak 15-Min.				Weekday MD Peak 15-Min.				Weekday PM Peak 15-Min.				Special Events Evening Peak 15-Min.				Special Events Sunday Peak 15-Min.			
Eleventh Ave & West 37th	Sidewalk A	2	2	12	14	1	1	85	1	0	0	49	4								
	Sidewalk B	5	20	2	27	75	79	9	19	34	20	28	10								
	Sidewalk C	2	3	6	45	2	12	79	70	0	10	56	13								
	Sidewalk D	10	11	0	0	75	4	0	3	41	8	1	3								
	Corner A & B	0	1	0	0	0	0	0	1	0	0	4	2								
	Corner C & D	0	1	0	0	1	0	0	0	1	0	0	0								
	Crosswalk (A-B-C)	1	5	7	45	2	8	79	77	2	10	57	14								
	Crosswalk (C-D-A)	1	3	1	4	6	17	0	0	0	9	1	1								
Eleventh Ave & West 38th	Sidewalk A	0	0	16	17	1	2	102	3	0	0	59	2								
	Sidewalk B	1	3	4	17	16	16	6	15	3	2	15	10								
	Sidewalk C	1	4	4	19	0	14	60	53	0	11	26	10								
	Sidewalk D	12	13	4	0	85	1	3	2	49	1	11	1								
	Corner A & B	0	0	0	0	0	0	0	0	0	0	0	0								
	Corner C & D	0	0	0	0	0	0	0	0	0	0	0	0								
	Crosswalk (A-B-C)	1	3	2	15	14	12	27	24	1	9	18	3								
	Crosswalk (C-D-A)	1	3	0	3	1	9	4	2	0	17	2	1								
Eleventh Ave & West 39th	Sidewalk A	0	1	19	94	5	7	121	4	2	2	66	4	1	0	8	129	0	0	206	17
	Sidewalk B	2	5	1	3	12	12	1	28	7	4	0	10	0	275	6	20	467	4	134	1
	Sidewalk C	15	19	6	6	30	40	12	12	23	38	4	3	4	17	1	307	262	43	660	4
	Sidewalk D	16	55	16	11	108	3	31	30	59	3	24	31	7	128	301	0	295	15	48	340
	Corner A & B	0	1	0	1	0	0	0	0	5	0	5	0	8	4	0	3	0	0	0	0
	Corner C & D	0	1	0	1	0	0	0	0	4	0	2	0	0	17	0	0	102	0	0	0
	Crosswalk (A-B-C)	1	4	5	3	14	13	15	12	0	9	6	4	1	1	0	294	74	1	535	4
	Crosswalk (C-D-A)	15	14	19	91	30	41	114	5	23	37	64	2	1	9	15	133	141	40	252	18
Eleventh Ave & West 40th	Sidewalk A	5	6	32	37	3	0	146	4	2	1	145	10								
	Sidewalk B	5	3	4	12	7	8	3	38	25	3	0	33								
	Sidewalk C	0	1	1	2	0	1	8	9	1	6	13	9								
	Sidewalk D	24	24	0	1	127	19	4	4	165	4	1	0								
	Corner A & B	7	12	7	6	0	6	0	3	1	0	0	0								
	Corner C & D	6	6	6	6	0	3	0	3	0	0	0	0								
	Crosswalk (A-B-C)	3	11	2	2	3	36	6	11	0	33	3	3								
	Crosswalk (C-D-A)	0	0	27	22	0	5	123	5	8	10	81	2								
Eleventh Ave & West 42nd	Sidewalk A	112	17	8	52	136	133	30	61	73	145	27	79	46	20	3	26	171	157	107	52
	Sidewalk B	15	22	150	17	13	28	137	124	5	30	119	143	1	104	82	29	91	17	238	144
	Sidewalk C	84	62	1	8	94	185	17	8	75	191	2	1	27	46	4	118	192	104	157	4
	Sidewalk D	57	15	46	22	47	24	67	59	46	27	56	58	33	17	13	5	142	29	97	84
	Corner A & B	3	3	0	0	17	17	0	0	9	9	0	0	1	6	9	0	27	25	5	10
	Corner C & D	3	0	0	0	5	8	4	1	1	1	6	0	2	25	0	0	25	4	0	1
	Crosswalk (A-B-C)	136	17	30	39	136	130	43	34	98	152	31	36	67	24	19	116	176	135	151	22
	Crosswalk (C-D-A)	95	59	59	51	95	187	35	56	86	189	40	54	45	25	17	18	182	102	121	30
Tenth Ave & W. 29th St	Sidewalk A	9	8	35	11	18	29	36	96	6	18	9	68								
	Sidewalk B	14	10	14	7	20	57	12	51	12	35	7	39								
	Sidewalk C	13	12	13	4	34	43	29	60	10	25	6	38								
	Sidewalk D	50	19	17	10	32	129	9	36	11	100	10	35								
	Corner A & B	3	4	2	2	2	5	1	2	6	7	3	3								
	Corner C & D	1	2	5	6	3	1	2	5	5	1	7	4								
	Crosswalk (A-B-C)	14	11	16	9	13	50	26	81	3	37	9	33								
	Crosswalk (C-D-A)	25	11	42	4	11	76	30	113	6	51	15	81								
Tenth Ave & W. 30th St	Sidewalk A	10	24	23	17	72	98	65	114	53	34	29	54	3	3105	9	1979	3693	28	2107	35
	Sidewalk B	21	11	12	13	47	95	76	111	14	50	27	39	7	363	3	638	449	32	1129	34
	Sidewalk C	9	15	20	12	22	46	39	70	14	26	9	37	7	136	20	11	146	19	25	48
	Sidewalk D	40	17	11	9	44	125	17	33	12	81	16	29	12	19	8	7	48	52	89	22
	Corner A & B	1	9	1	0	4	9	1	0	17	6	1	1	0	1968	0	0	2073	1	0	0
	Corner C & D	0	0	1	0	0	0	0	3	0	0	1	0	2	0	1	1	0	1	0	0
	Crosswalk (A-B-C)	15	17	22	11	75	126	38	74	30	49	6	39	4	1139	151	8	1628	41	25	101
	Crosswalk (C-D-A)	11	13	33	7	18	48	52	125	12	30	15	72	5	5	11	15	95	19	48	57
Tenth Ave & W. 31st St	Sidewalk A	0	0	34	4	0	0	71	109	0	0	25	61	0	0	738	38	0	0	54	807
	Sidewalk B	37	19	15	26	33	76	88	103	16	53	39	35	4	677	3	1481	732	75	1649	30
	Sidewalk C	7	11	30	12	19	24	41	104	19	10	17	62	2	879	6	364	955	7	436	35
	Sidewalk D	27	17	0	0	69	112	0	0	37	59	0	0	7	1978	0	0	2099	31	0	0
	Corner A & B	0	0	11	7	0	0	21	14	0	0	3	16	0	0	0	0	0	0	2	58
	Corner C & D	1	3	0	0	2	8	0	0	3	9	0	0	1	61	0	0	88	4	0	0
	Crosswalk (A-B-C)	3	13	29	11	40	49	41	97	22	16	10	53	1	2069	5	88	2213	11	106	32
	Crosswalk (C-D-A)	2	5	7	1	16	13	5	7	9	2	14	14	2	604	3	4	624	1	3	3
Tenth Ave & W. 33rd St	Sidewalk A	16	88	38	39	178	180	113	125	130	60	21	52	14	829	13	151	1039	61	185	36
	Sidewalk B	34	24	27	84	75	83	106	137	37	40	115	58	10	169	5	658	165	32	780	54
	Sidewalk C	38	92	28	12	150	212	24	56	160	98	28	41	28	2377	11	681	2453	106	735	87
	Sidewalk D	32	32	32	72	75	111	92	129	53	53	129	58	747	37	17	2564	54	810	2546	60
	Corner A & B	0	2	4	3	11	11	14	4	5	2	8	7	0	89	96	0	92	2	6	96
	Corner C & D	2	7	7	1	4	8	10	3	5	8	4	8	1	11	730	0	16	4	0	773
	Crosswalk (A-B-C)	23	90	37	18	137	165	85	88	113	55	28	44	9	708	21	128	900	52	45	30
	Crosswalk (C-D-A)	33	88	43	12	132	165	120	178	143	86	32	62	25	1849	9	34	1795	83	64	46
Tenth Ave & W. 34th St	Sidewalk A	39	224	18	39	231	224	69	76	271	68	48	41	21	184	7	108	255	66	213	23
	Sidewalk B	15	26	23	181	58	59	93	113	35	21	170	68	13	79	24	254	140	25	177	62
	Sidewalk C	45	215	47	23	164	175	111	110	228	111	45	58	55	486	13	170	444	70	170	30
	Sidewalk D	31	18	31	189	121	131	158	142	24	39	292	87	9	162	88	411	174	29	410	61
	Corner A & B	7	27	4	8	13	13	4	1	35	4	16	6	2	57	4	5	96	1	3	3
	Corner C & D	13	11	6	3	34	37	4	8	15	38	8	12	4	119	1	1	87	7	1	3
	Crosswalk (A-B-C)	26	192	24	23	153	144	78	94	236	69	36									

**Appendix S.5.2**  
**PEDESTRIAN VOLUMES (SIDEWALKS, CORNERS, AND CROSSWALKS)**  
**2010 FUTURE WITH THE PROPOSED ACTION**

Intersection	Elements	Weekday AM Peak 15-Min.				Weekday MD Peak 15-Min.				Weekday PM Peak 15-Min.				Special Events Evening Peak 15-Min.				Special Events Sunday Peak 15-Min.			
Tenth Ave & W. 36th St	Sidewalk A	4	15	11	24	26	37	135	141	3	13	39	27								
	Sidewalk B	11	8	4	16	49	58	32	36	24	19	14	15								
	Sidewalk C	1	22	14	13	27	40	52	53	26	17	32	22								
	Sidewalk D	12	28	1	15	159	155	8	25	45	32	21	12								
	Corner A & B	0	0	0	0	2	8	7	0	0	0	1	1								
	Corner C & D	0	0	0	0	1	2	3	0	1	0	0	3								
	Crosswalk (A-B-C)	3	18	81	31	39	44	53	44	27	16	24	24								
	Crosswalk (C-D-A)	14	61	45	54	23	37	148	152	87	10	45	55								
Tenth Ave & W. 37th St	Sidewalk A	11	8	9	12	30	40	95	102	7	23	23	14								
	Sidewalk B	23	24	9	22	70	60	32	44	39	16	19	16								
	Sidewalk C	15	26	10	16	26	44	38	45	13	18	22	17								
	Sidewalk D	6	24	9	11	121	124	7	13	32	20	5	18								
	Corner A & B	1	2	4	4	2	2	9	6	6	2	8	11								
	Corner C & D	9	8	3	1	8	5	2	2	0	1	3	4								
	Crosswalk (A-B-C)	11	28	12	40	35	45	52	54	28	21	21	17								
	Crosswalk (C-D-A)	6	11	18	26	23	30	114	120	12	23	26	19								
Tenth Ave & W. 38th St	Sidewalk A	8	8	10	17	12	18	60	69	26	16	16	17								
	Sidewalk B	11	18	6	15	66	61	30	42	19	21	12	18								
	Sidewalk C	3	7	8	8	21	33	45	49	12	18	22	14								
	Sidewalk D	12	14	3	5	85	87	10	18	25	12	12	13								
	Corner A & B	0	3	1	4	1	5	8	9	2	1	2	2								
	Corner C & D	0	0	1	0	2	3	2	3	0	1	2	2								
	Crosswalk (A-B-C)	6	7	5	14	24	37	52	53	12	14	24	18								
	Crosswalk (C-D-A)	2	7	5	18	19	30	76	75	16	14	21	15								
Tenth Ave & W. 39th St	Sidewalk A	9	9	6	8	23	31	35	40	14	25	11	14								
	Sidewalk B	12	17	10	11	62	69	34	43	23	23	16	28								
	Sidewalk C	10	20	16	18	37	40	58	61	28	26	34	18								
	Sidewalk D	7	13	8	10	62	60	21	27	17	15	18	26								
	Corner A & B	0	0	0	1	0	0	3	2	0	0	1	1								
	Corner C & D	7	0	0	0	1	1	2	0	0	2	1	0								
	Crosswalk (A-B-C)	9	10	17	15	32	40	61	67	15	26	31	21								
	Crosswalk (C-D-A)	8	16	7	10	29	37	46	50	28	27	20	19								
Tenth Ave & W. 40th St	Sidewalk A	9	14	3	8	20	47	27	26	6	43	25	15								
	Sidewalk B	24	37	10	18	57	62	30	56	96	41	19	69								
	Sidewalk C	6	11	15	31	25	43	60	71	7	48	29	29								
	Sidewalk D	5	7	2	4	29	31	10	8	26	16	2	2								
	Corner A & B	0	1	4	8	5	3	12	10	1	2	40	12								
	Corner C & D	2	0	1	0	15	17	2	4	1	4	0	0								
	Crosswalk (A-B-C)	8	13	18	29	27	53	49	45	8	37	62	28								
	Crosswalk (C-D-A)	3	5	6	8	8	17	37	31	4	9	31	14								
Tenth Ave & W. 41st St	Sidewalk A	38	27	19	25	46	51	27	33	39	41	20	18								
	Sidewalk B	37	75	54	16	127	127	69	68	88	124	97	49								
	Sidewalk C	10	9	19	31	33	58	73	72	11	39	107	41								
	Sidewalk D	7	16	2	6	23	26	2	25	28	19	3	23								
	Corner A & B	3	4	5	17	2	6	30	29	3	4	16	67								
	Corner C & D	0	0	0	0	3	1	0	0	7	1	1	2								
	Crosswalk (A-B-C)	50	25	22	43	66	62	74	70	53	45	114	36								
	Crosswalk (C-D-A)	3	6	7	18	23	38	38	40	8	23	23	19								
Tenth Ave & W. 42nd St	Sidewalk A	197	59	15	12	195	126	60	65	178	180	29	45								
	Sidewalk B	30	47	228	149	115	109	190	179	46	84	186	255								
	Sidewalk C	180	287	31	38	242	324	40	38	325	276	51	40								
	Sidewalk D	37	19	73	70	40	38	119	207	18	32	92	184								
	Corner A & B	17	11	13	10	16	13	33	21	12	9	26	30								
	Corner C & D	9	3	4	3	0	5	0	0	22	66	1	1								
	Crosswalk (A-B-C)	203	64	32	57	197	153	103	120	148	209	41	88								
	Crosswalk (C-D-A)	103	68	22	25	147	230	50	64	105	204	32	37								
Dyer Ave & W. 42nd St	Sidewalk A	157	126	0	0	85	103	0	0	169	178	0	0								
	Sidewalk B	0	0	178	124	0	0	99	109	0	0	174	218								
	Sidewalk C	112	312	3	5	145	246	1	2	283	231	11	5								
	Sidewalk D	1	0	122	291	1	4	145	237	3	1	289	216								
	Corner A & B	0	0	0	0	0	0	0	0	0	0	0	0								
	Corner C & D	3	0	0	0	0	1	0	0	0	4	0	0								
	Crosswalk (A-B-C)	98	66	4	5	72	55	1	5	147	122	4	7								
	Crosswalk (C-D-A)	117	298	5	2	146	237	3	2	289	246	9	10								
Ninth Ave & W. 30th St	Sidewalk A	19	19	209	25	81	117	140	163	33	41	45	68	8	638	28	237	1136	44	382	56
	Sidewalk B	140	54	26	30	287	318	13	40	90	121	20	45	39	222	6	243	396	128	515	35
	Sidewalk C	45	29	49	47	31	30	171	177	24	55	63	75	9	12	93	31	288	22	102	105
	Sidewalk D	67	47	255	29	158	160	66	65	62	57	26	94	85	11	25	144	73	133	265	30
	Corner A & B	7	0	3	13	3	1	10	13	3	4	8	11	5	25	1	5	32	13	8	16
	Corner C & D	16	7	7	16	2	8	10	2	4	5	18	4	2	3	69	3	1	19	16	74
	Crosswalk (A-B-C)	63	30	79	34	79	118	174	216	34	45	68	99	8	420	21	33	899	45	97	198
	Crosswalk (C-D-A)	86	16	221	36	40	45	150	157	19	59	42	69	10	75	21	9	193	24	100	74
Ninth Ave & W. 31st St	Sidewalk A	20	48	66	68	80	111	55	54	31	28	23	33	5	1484	8	61	1623	48	64	17
	Sidewalk B	54	39	94	168	19	25	428	566	45	39	121	121	15	544	12	1750	669	15	2067	270
	Sidewalk C	88	137	145	51	51	56	233	286	92	42	128	113	16	462	33	215	563	11	355	104
	Sidewalk D	34	25	34	55	173	191	94	71	46	54	70	8	11	241	5	877	297	68	953	10
	Corner A & B	4	10	5	29	1	0	9	5	39	116	39	116	2	0	0	1	5	1	13	63
	Corner C & D	46	47	4	9	9	2	49	52	33	114	17	68	7	66	0	0	109	3	3	3
	Crosswalk (A-B-C)	21	38	73	92	151	204	296	366	52	50	90	105	3	1811	20	483	2015	89	651	124
	Crosswalk (C-D-A)	62	389	36	224	103	126	109	122	63	27	31	44	9	726	7	393	814	45	435	42
Ninth Ave & W. 33rd St	Sidewalk A	24	159	38	175	110	173	127	170	114	56	185	25	14	640	22	200	736	65	162	52
	Sidewalk B	67	103	27	249	306	281	95	164	120	74	39	36	45	218	14	500	324	167	512	55
	Sidewalk C	155	451	37	26	542	642	86	112	328	313	7	42	61	2679	25	544	3080	282	616	32
	Sidewalk D	29	72	69	527	111	156	193	246	54	11	191	95	52	47	65	2357	54	21	2393	108
	Corner A & B	2	29	17	53	2	6	31	55	95	82	135	81	5	57	61	7	20	1	40	87



**Appendix S.5.2**  
**PEDESTRIAN VOLUMES (SIDEWALKS, CORNERS, AND CROSSWALKS)**  
**2010 FUTURE WITH THE PROPOSED ACTION**

Intersection	Elements	Weekday AM Peak 15-Min.				Weekday MD Peak 15-Min.				Weekday PM Peak 15-Min.				Special Events Evening Peak 15-Min.				Special Events Sunday Peak 15-Min.			
Ninth Ave & W. 34th St	Sidewalk A	71	173	73	84	167	193	153	177	209	121	173	109	31	252	26	146	191	67	78	77
	Sidewalk B	86	87	79	255	242	183	171	157	167	130	367	135	34	80	63	445	120	117	263	96
	Sidewalk C	92	228	36	126	190	187	374	331	392	116	174	160	91	536	49	215	684	129	330	187
	Sidewalk D	39	124	58	252	157	267	222	220	232	65	329	118	26	202	60	485	170	53	485	90
	Corner A & B	145	195	139	192	40	47	20	12	89	170	87	164	1	56	24	14	39	5	13	11
	Corner C & D	127	131	120	113	64	79	72	98	66	140	66	114	20	128	47	6	163	52	13	11
	Crosswalk (A-B-C)	107	228	69	154	188	177	293	260	477	167	191	198	57	302	44	209	247	81	215	146
	Crosswalk (C-D-A)	77	306	40	106	175	209	128	148	349	142	231	73	46	512	29	157	539	101	97	50
Ninth Ave & W. 37th St	Sidewalk A	19	18	33	252	54	66	65	277	68	28	89	225								
	Sidewalk B	60	111	16	81	144	142	35	117	151	97	52	91								
	Sidewalk C	25	30	78	119	31	44	183	134	44	33	208	73								
	Sidewalk D	23	238	14	20	76	263	49	39	43	234	58	21								
	Corner A & B	7	71	8	6	13	75	13	12	16	69	6	6								
	Corner C & D	14	14	4	1	16	14	2	3	7	10	0	6								
	Crosswalk (A-B-C)	13	14	61	103	43	63	157	130	83	33	206	80								
	Crosswalk (C-D-A)	14	14	32	243	44	32	63	268	55	24	72	221								
Ninth Ave & W. 38th St	Sidewalk A	5	7	22	41	22	34	60	92	27	21	41	69								
	Sidewalk B	44	76	11	29	62	77	30	41	50	73	43	69								
	Sidewalk C	20	26	80	74	18	37	56	65	18	25	84	89								
	Sidewalk D	41	20	13	10	85	67	28	50	49	67	15	19								
	Corner A & B	2	6	1	8	4	3	5	10	5	2	9	9								
	Corner C & D	4	6	0	1	12	11	0	5	4	5	1	3								
	Crosswalk (A-B-C)	20	6	83	80	14	18	72	73	27	37	114	71								
	Crosswalk (C-D-A)	17	15	46	25	17	29	59	71	26	40	47	32								
Ninth Ave & W. 39th St	Sidewalk A	18	28	27	57	32	46	55	67	28	35	92	50								
	Sidewalk B	52	147	24	23	110	103	36	63	193	96	39	47								
	Sidewalk C	39	27	44	114	59	65	123	106	40	56	197	93								
	Sidewalk D	41	42	15	15	82	56	36	40	85	53	24	33								
	Corner A & B	2	10	8	6	0	4	6	8	6	4	7	5								
	Corner C & D	9	4	0	3	7	19	0	1	7	5	2	3								
	Crosswalk (A-B-C)	20	24	44	120	34	46	122	93	45	54	201	103								
	Crosswalk (C-D-A)	30	21	23	51	61	44	38	38	47	49	88	36								
Ninth Ave & W. 42nd St	Sidewalk A	251	127	101	86	213	190	203	154	296	242	200	166								
	Sidewalk B	95	110	260	188	157	150	238	240	175	167	313	328								
	Sidewalk C	237	321	140	136	260	376	163	127	351	342	192	160								
	Sidewalk D	41	37	219	321	106	126	250	323	93	93	351	310								
	Corner A & B	14	17	11	20	25	32	23	30	17	38	21	38								
	Corner C & D	33	11	6	7	31	33	11	17	22	24	13	7								
	Crosswalk (A-B-C)	271	142	108	156	233	230	162	178	327	316	176	252								
	Crosswalk (C-D-A)	207	286	172	172	251	351	181	174	330	316	262	269								
Eighth Ave & W. 30th St	Sidewalk A	52	25	93	91	34	50	196	258	32	57	133	137	17	260	66	163	545	49	254	139
	Sidewalk B	108	247	34	16	171	224	65	95	237	186	61	95	156	200	26	84	362	164	73	39
	Sidewalk C	46	29	53	115	55	68	117	81	26	40	183	102	11	27	78	31	23	18	103	237
	Sidewalk D	75	82	30	14	134	170	27	33	112	107	24	48	77	55	21	26	94	217	227	42
	Corner A & B	28	12	40	13	17	20	36	38	9	28	42	56	9	125	18	39	138	25	21	10
	Corner C & D	12	8	0	11	16	14	10	10	5	9	0	3	5	1	4	2	1	7	16	78
	Crosswalk (A-B-C)	19	57	57	127	40	56	121	125	35	51	187	126	10	139	64	33	345	36	109	175
	Crosswalk (C-D-A)	34	20	66	72	33	55	112	134	24	43	113	115	19	12	60	45	98	23	100	153
Eighth Ave & W. 31st St	Sidewalk A	149	100	49	140	293	201	43	168	168	78	90	191	65	1327	64	142	1547	122	119	111
	Sidewalk B	37	98	119	313	87	66	265	178	117	96	220	104	68	107	101	642	273	223	813	138
	Sidewalk C	14	27	54	80	48	49	164	88	24	35	132	35	0	136	142	163	375	21	344	141
	Sidewalk D	52	53	30	100	145	118	94	70	70	84	65	75	118	227	69	505	214	108	565	15
	Corner A & B	19	37	21	16	26	42	30	26	26	21	30	22	20	9	36	78	8	9	35	31
	Corner C & D	11	7	21	10	6	6	26	31	6	6	16	18	1	26	40	53	143	9	4	4
	Crosswalk (A-B-C)	126	151	81	207	282	201	110	165	228	106	129	133	81	1115	119	336	1260	128	454	127
	Crosswalk (C-D-A)	34	89	81	93	80	124	172	188	66	89	153	108	31	349	62	279	486	55	339	102
Eighth Ave & W. 33rd St	Sidewalk A	142	318	362	403	194	180	639	400	114	146	710	273	42	433	236	247	499	62	451	248
	Sidewalk B	163	157	221	258	202	130	193	154	357	118	216	197	86	355	110	266	485	316	233	117
	Sidewalk C	208	280	239	134	463	425	231	189	327	391	187	391	108	475	160	284	467	233	240	170
	Sidewalk D	164	166	265	422	277	195	746	596	305	96	682	257	144	122	187	2066	205	84	2453	245
	Corner A & B	17	16	29	16	37	22	69	54	56	40	52	56	7	7	32	28	32	12	45	39
	Corner C & D	30	23	21	29	68	80	65	72	39	80	55	63	23	71	40	26	165	62	14	20
	Crosswalk (A-B-C)	301	262	294	138	236	267	356	312	549	248	646	204	114	389	127	293	390	139	293	316
	Crosswalk (C-D-A)	428	295	711	358	535	416	578	373	514	312	734	224	220	1435	375	218	1683	227	362	179
Eighth Ave & W. 34th St	Sidewalk A	221	176	77	166	175	137	246	242	350	179	292	171	90	244	38	72	317	116	198	175
	Sidewalk B	145	94	115	216	121	100	221	244	177	152	195	267	102	144	148	362	291	270	414	278
	Sidewalk C	83	178	194	60	146	179	128	80	232	162	174	134	139	625	37	172	848	215	351	268
	Sidewalk D	215	158	109	176	386	261	136	92	395	205	259	103	202	165	40	509	399	170	743	237
	Corner A & B	26	31	50	49	37	42	58	58	53	53	112	111	84	179	764	906	10	21	113	34
	Corner C & D	20	16	23	35	49	26	19	26	54	31	43	43	119	349	143	54	139	27	43	20
	Crosswalk (A-B-C)	179	227	182	163	366	318	269	226	483	277	242	404	103	201	167	287	353	141	271	168
	Crosswalk (C-D-A)	140	244	193	228	218	266	403	366	314	195	443	245	727	1338	98	86	862	176	235	202
Eighth Ave & W. 37th St	Sidewalk A	23	42	209	234	182	120	80	125	43	40	266	195								
	Sidewalk B	148	275	103	37	216	247	65	72	388	351	28	112								
	Sidewalk C	55	28	172	176	66	147	83	85	75	62	298	228								
	Sidewalk D	172	236	48	30	224	120	151	74	417	245	70	100								
	Corner A & B	14	18	66	33	24	23	23	22	24	16	18	14								
	Corner C & D	21	25	24																	

**Appendix S.5.2**  
**PEDESTRIAN VOLUMES (SIDEWALKS, CORNERS, AND CROSSWALKS)**  
**2010 FUTURE WITH THE PROPOSED ACTION**

Intersection	Elements	Weekday AM Peak 15-Min.				Weekday MD Peak 15-Min.				Weekday PM Peak 15-Min.				Special Events Evening Peak 15-Min.				Special Events Sunday Peak 15-Min.			
<b>Eighth Ave &amp; W. 39th St</b>	Sidewalk A	52	74	66	538	117	83	269	396	115	46	651	234								
	Sidewalk B	91	1265	234	56	283	476	139	184	889	331	29	144								
	Sidewalk C	133	50	132	432	137	221	323	265	49	192	626	198								
	Sidewalk D	156	586	98	55	438	335	154	106	810	174	75	80								
	Corner A & B	11	23	54	22	25	40	32	36	20	26	9	87								
	Corner C & D	37	20	17	53	36	67	24	28	12	21	11	17								
	Crosswalk (A-B-C)	114	20	107	625	106	109	233	302	57	93	467	319								
Crosswalk (C-D-A)	74	76	148	466	98	696	375	329	68	165	1050	186									
<b>Eighth Ave &amp; W. 42nd St</b>	Sidewalk A	497	320	612	154	388	345	268	301	441	643	258	1428								
	Sidewalk B	447	152	342	132	288	321	414	360	397	371	333	302								
	Sidewalk C	1009	396	555	136	571	494	478	513	732	1235	441	715								
	Sidewalk D	750	87	402	253	349	379	374	382	230	1520	532	544								
	Corner A & B	41	42	56	44	4	42	69	102	24	162	92	179								
	Corner C & D	7	224	43	38	24	109	89	77	38	69	58	88								
	Crosswalk (A-B-C)	278	395	428	136	279	280	427	401	513	341	562	659								
Crosswalk (C-D-A)	1207	300	878	282	403	486	314	333	479	1174	299	1249									
<b>Seventh Ave &amp; W. 31st St</b>	Sidewalk A	131	120	80	485	213	188	248	293	306	191	411	314								
	Sidewalk B	299	585	325	259	366	186	118	208	424	234	291	402								
	Sidewalk C	159	126	102	342	148	136	179	148	235	336	316	323								
	Sidewalk D	97	703	107	59	296	233	50	42	248	271	209	212								
	Corner A & B	16	1	138	18	16	15	131	34	17	22	100	37								
	Corner C & D	10	48	19	42	37	37	11	16	26	26	26	21								
	Crosswalk (A-B-C)	392	203	103	295	247	204	211	286	352	371	289	260								
Crosswalk (C-D-A)	135	176	98	403	129	118	155	176	256	336	339	275									
<b>Seventh Ave &amp; W. 33rd St</b>	Sidewalk A	189	234	193	391	247	205	342	273	234	357	295	335								
	Sidewalk B	280	415	275	196	309	443	225	176	268	433	275	327								
	Sidewalk C	385	184	360	233	270	270	337	248	305	323	283	246								
	Sidewalk D	538	210	214	436	276	248	379	340	282	417	285	437								
	Corner A & B	43	37	36	61	18	32	63	98	30	18	33	79								
	Corner C & D	26	63	63	37	48	63	42	42	53	26	31	53								
	Crosswalk (A-B-C)	346	297	330	289	274	310	314	307	354	475	282	347								
Crosswalk (C-D-A)	465	428	301	369	383	409	361	335	343	485	323	412									
<b>Seventh Ave &amp; W. 34th St</b>	Sidewalk A	189	94	449	123	231	203	248	228	761	353	432	602								
	Sidewalk B	573	67	173	193	179	155	311	233	264	762	872	151								
	Sidewalk C	463	343	208	187	224	210	230	185	325	514	267	595								
	Sidewalk D	185	184	988	184	142	145	159	214	419	360	403	592								
	Corner A & B	210	31	34	104	331	372	291	318	538	494	505	437								
	Corner C & D	72	51	43	32	272	271	198	222	476	379	372	327								
	Crosswalk (A-B-C)	512	131	283	147	365	357	231	243	126	132	104	101								
Crosswalk (C-D-A)	528	214	920	219	229	248	269	270	182	139	92	145									
<b>Sixth Ave &amp; W. 33rd St</b>	Sidewalk A	198	73	205	151	147	82	338	289	193	288	619	490								
	Sidewalk B	221	179	226	46	236	176	114	174	328	268	120	483								
	Sidewalk C	302	88	157	172	212	246	239	237	246	475	242	287								
	Sidewalk D	382	255	232	313	281	323	211	163	584	694	344	525								
	Corner A & B	16	1	16	16	37	37	31	31	32	33	31	74								
	Corner C & D	0	58	29	84	31	31	70	102	63	63	73	139								
	Crosswalk (A-B-C)	319	131	161	199	287	297	289	229	280	522	402	350								
Crosswalk (C-D-A)	344	153	341	157	260	255	330	311	452	621	356	393									
<b>Sixth Ave &amp; W. 34th St</b>	Sidewalk A	14	22	1	1	28	49	9	8	36	46	2	2	0	0	0	0	0	0	0	0
	Sidewalk B	474	365	357	148	801	897	368	562	718	786	616	873	142	155	195	435	439	320	319	238
	Sidewalk C	410	105	382	348	285	318	789	846	581	513	423	535	219	268	230	174	408	344	210	180
	Sidewalk D	0	0	14	22	0	1	28	48	0	0	36	46	0	0	0	0	0	0	0	0
	Corner A & B	1	1	84	47	8	6	184	233	2	2	67	411	0	0	51	141	0	0	84	198
	Corner C & D	40	23	0	0	85	50	0	0	29	18	0	0	16	55	0	0	39	21	0	0
	Crosswalk (A-B-C)	161	430	427	280	808	657	558	705	885	534	304	716	232	130	171	196	309	431	376	322
Crosswalk (C-D-A)	604	93	1	0	801	661	2	2	662	742	0	1	198	298	0	0	496	399	0	0	
<b>Broadway &amp; W. 34th St</b>	Sidewalk A	394	166	724	165	350	507	698	774	737	1244	742	1054	394	306	191	291	476	572	449	395
	Sidewalk B	3	1	14	22	13	11	28	49	3	4	36	46	0	0	0	0	0	0	0	0
	Sidewalk C	14	22	1	1	28	49	7	8	36	46	2	2	0	0	0	0	0	0	0	0
	Sidewalk D	553	331	516	187	851	790	669	417	896	859	856	962	310	274	393	475	565	512	596	525
	Corner A & B	235	49	0	0	127	168	0	0	109	440	0	0	39	74	0	0	105	160	0	0
	Corner C & D	0	0	47	236	0	0	262	368	0	0	517	497	0	0	123	111	0	0	180	55
	Crosswalk (A-B-C)	1067	196	3	1	975	676	5	5	493	1104	1	3	343	170	0	0	332	413	0	0
Crosswalk (C-D-A)	608	94	529	97	650	827	867	971	664	745	731	1038	198	299	261	148	296	299	275	265	
<b>Blvd &amp; W. 33rd St</b>	Sidewalk A	12	27	92	19	76	111	64	85	45	52	15	144	3	683	20	70	874	47	77	55
	Sidewalk B	36	8	15	77	48	41	91	118	13	81	118	50	4	57	12	824	65	28	1032	54
	Sidewalk C	14	65	0	0	81	110	0	0	123	47	0	0	16	2561	0	0	2544	54	0	0
	Sidewalk D	0	0	0	26	0	0	5	22	0	0	34	28	0	0	0	3048	0	0	2970	16
	Corner A & B	0	0	17	2	3	3	8	8	0	0	2	36	0	0	2	3	0	0	4	8
	Corner C & D	0	0	0	0	0	0	0	0	0	0	0	0	0	0	0	0	0	0	0	0
	Crosswalk (A-B-C)	12	58	19	9	82	108	40	34	78	46	15	48	9	557	3	318	770	50	316	20
Crosswalk (C-D-A)	2	17	51	16	0	0	53	69	35	1	17	95	6	340	14	227	159	6	228	45	
<b>Blvd &amp; W. 34th St</b>	Sidewalk A	41	328	312	29	237	228	153	151	458	83	49	429	9	204	4	8	307	57	22	36
	Sidewalk B	3	3	26	158	33	25	200	196	8	6	238	62	3	2	5	233	16	13	310	52
	Sidewalk C	23	127	36	9	113	121	46	40	215	69	11	80	53	394	4	57	404	57	64	26
	Sidewalk D	59	11	11	100	63	57	35	107	15	90	63	173	54	59	2	504	6			

**Appendix S.5.2**  
**PEDESTRIAN VOLUMES (SIDEWALKS, CORNERS, AND CROSSWALKS)**  
**2025 FUTURE WITH THE PROPOSED ACTION**

Intersection	Elements	Weekday		Weekday		Weekday		Special Events				Special Events									
		AM Peak 15-Min.		MD Peak 15-Min.		PM Peak 15-Min.		Evening Peak 15-Min.				Sunday Peak 15-Min.									
Rt 9A & West 30th St	Sidewalk A	0	0	23	44	0	0	14	23	0	0	40	19	0	0	18	15	0	0	21	28
	Sidewalk B	0	0	0	0	2	0	0	0	0	7	1	1	4	6	4	3	0	8	2	1
	Sidewalk C	2	0	2	2	1	0	1	1	1	2	1	1	0	0	1	2	1	1	0	0
	Sidewalk D	21	28	0	0	15	21	0	0	33	19	0	0	18	16	0	0	21	28	0	0
	Corner A & B	0	0	0	0	0	0	0	0	0	0	4	0	0	0	4	2	0	0	1	0
	Corner C & D	0	0	0	0	0	0	0	0	0	0	0	0	0	0	0	0	0	0	0	0
	Crosswalk (A-B-C)	0	0	2	0	0	0	3	3	0	0	0	8	0	0	437	1	0	1	0	429
	Crosswalk (C-D-A)	8	2	26	39	3	2	16	33	2	5	30	33	435	0	26	16	0	424	21	26
Rt 9A & West 34th St	Sidewalk A	1	1	0	7	0	0	4	7	0	0	8	3	0	0	0	957	0	0	1094	20
	Sidewalk B	0	3	4	11	1	5	11	18	6	1	8	13	1	696	139	2	683	3	3	135
	Sidewalk C	30	21	0	0	60	49	2	0	46	59	0	0	993	2	1	0	66	1018	6	0
	Sidewalk D	10	3	0	0	3	5	2	0	6	0	0	0	0	435	0	0	439	20	0	0
	Corner A & B	3	0	3	1	8	8	8	8	3	15	4	15	0	0	0	143	0	0	138	0
	Corner C & D	3	0	3	0	4	3	4	3	2	10	2	9	0	0	0	0	0	0	0	0
	Crosswalk (A-B-C)	3	8	0	2	9	10	3	2	8	7	12	0	0	0	1	557	0	0	547	0
	Crosswalk (C-D-A)	33	19	0	4	61	48	3	4	46	47	0	3	435	0	10	16	67	477	15	15
Rt 9A & West 39th St	Sidewalk A	0	0	1	1	0	0	0	0	0	0	1	1								
	Sidewalk B	0	0	0	0	8	4	0	0	3	0	0	0								
	Sidewalk C	26	48	1	5	42	45	11	6	36	72	10	0								
	Sidewalk D	0	3	0	0	1	15	0	0	8	2	0	0								
	Corner A & B	1	2	0	0	0	0	0	0	0	0	0	0								
	Corner C & D	0	0	0	0	0	0	0	0	0	2	0	0								
	Crosswalk (A-B-C)	2	0	0	0	0	0	7	3	0	0	3	0								
	Crosswalk (C-D-A)	59	53	37	48	50	33	32	17	72	78	45	32								
Rt 9A & West 40th St	Sidewalk A	0	0	1	1	0	1	1	0	1	3	1	1								
	Sidewalk B	0	0	0	0	3	0	0	2	2	3	1	2								
	Sidewalk C	0	0	0	0	0	1	2	0	0	0	1	0								
	Sidewalk D	1	1	0	0	0	0	0	0	1	1	0	0								
	Corner A & B	0	0	0	0	0	0	0	1	0	0	0	1								
	Corner C & D	0	0	0	0	1	0	0	0	0	0	0	0								
	Crosswalk (A-B-C)	0	0	2	0	0	0	1	4	0	0	1	0								
	Crosswalk (C-D-A)	0	2	29	51	0	1	21	19	1	2	48	40								
Rt 9A & West 42nd St	Sidewalk A	2	0	4	0	2	7	0	0	30	0	0	1								
	Sidewalk B	1	8	18	34	5	13	46	57	5	28	63	25								
	Sidewalk C	35	41	1	4	56	57	7	2	66	52	10	8								
	Sidewalk D	3	4	0	3	0	0	2	2	1	9	1	0								
	Corner A & B	0	0	0	0	3	0	6	0	25	0	6	0								
	Corner C & D	4	0	0	0	0	1	0	0	2	4	0	0								
	Crosswalk (A-B-C)	24	31	4	14	49	62	12	4	58	53	4	20								
	Crosswalk (C-D-A)	28	33	35	49	49	51	38	38	38	46	16	17								
Eleventh Ave & West 29th	Sidewalk A	0	0	66	38	2	1	166	157	0	4	52	81								
	Sidewalk B	108	53	4	32	232	289	35	43	57	148	63	25								
	Sidewalk C	7	15	89	52	33	20	199	236	19	4	47	102								
	Sidewalk D	53	37	0	0	160	151	0	0	38	53	6	2								
	Corner A & B	0	0	15	2	0	0	29	21	0	1	13	30								
	Corner C & D	0	4	0	0	3	4	0	0	2	3	1	0								
	Crosswalk (A-B-C)	1	14	90	50	3	11	207	260	27	11	44	113								
	Crosswalk (C-D-A)	0	0	54	39	2	1	158	154	2	0	41	52								
Eleventh Ave & West 30th	Sidewalk A	2	12	40	12	14	16	111	104	29	18	34	56	0	0	1	3	509	0	13	18
	Sidewalk B	104	64	65	59	320	380	208	236	64	116	62	68	7	9	17	1142	44	58	1156	54
	Sidewalk C	12	10	125	66	35	33	303	366	13	16	82	164	2	38	53	5	75	4	55	136
	Sidewalk D	81	52	1	0	234	223	3	2	61	92	6	0	95	4	0	1	46	410	2	0
	Corner A & B	0	6	6	6	19	16	50	43	4	15	10	14	0	0	3	0	0	0	5	9
	Corner C & D	5	4	0	4	16	14	16	10	2	17	2	9	0	0	0	0	2	0	0	0
	Crosswalk (A-B-C)	26	35	114	77	92	110	376	367	52	30	87	104	5	1180	52	8	1191	24	70	147
	Crosswalk (C-D-A)	19	24	71	32	57	59	184	181	27	18	56	90	3	44	135	4	88	13	34	471
Eleventh Ave & West 33rd	Sidewalk A	0	3	68	66	2	2	105	137	0	3	88	78	0	51	6	3654	0	1	4489	46
	Sidewalk B	122	93	49	40	313	372	175	214	108	149	51	79	22	16	13	873	71	90	894	47
	Sidewalk C	51	80	116	115	243	211	301	378	98	62	132	132	4	1162	7	8	1603	27	42	49
	Sidewalk D	30	15	1	4	91	84	0	0	15	26	1	0	4	4	0	1	9	14	0	2
	Corner A & B	0	0	8	11	1	0	99	82	0	0	26	19	0	0	4	18	0	0	28	39
	Corner C & D	11	11	0	0	131	130	0	0	7	8	0	0	1	1	1	0	8	10	0	0
	Crosswalk (A-B-C)	19	29	125	80	64	62	185	288	41	37	88	157	1	859	5	6	587	12	305	50
	Crosswalk (C-D-A)	18	45	59	32	65	60	92	100	54	35	40	48	1	1160	2	2	1849	10	17	23
Eleventh Ave & West 34th	Sidewalk A	8	20	134	45	16	32	147	156	12	16	138	84	12	6	12	290	10	6	838	114
	Sidewalk B	169	119	91	43	402	394	267	262	122	163	64	112	12	892	4	234	1503	113	289	88
	Sidewalk C	20	91	144	129	122	175	345	400	84	141	168	152	43	676	105	15	608	92	80	115
	Sidewalk D	82	77	36	21	154	190	75	52	154	91	52	58	6	3913	994	3	5302	42	67	1018
	Corner A & B	29	2	11	13	8	2	110	107	3	0	21	9	3	2	2	1	5	5	12	15
	Corner C & D	4	3	0	6	30	38	4	4	2	10	27	3	0	26	3	994	3	2	1154	0
	Crosswalk (A-B-C)	142	74	145	118	128	100	352	394	66	138	138	164	6	302	9	824	510	66	1306	115
	Crosswalk (C-D-A)	36	86	127	72	95	126	156	182	96	190	153	132	10	1480	3	1453	1793	73	2489	101
Eleventh Ave & West 35th	Sidewalk A	0	0	41	33	0	0	135	82	0	0	51	25								
	Sidewalk B	291	302	84	62	395	374	133	133	116	106	38	38								
	Sidewalk C	41	53	260	263	63	112	387	373	9	66	158	112								
	Sidewalk D	137	45	0	0	150	154	0	0	140	86	0	0								
	Corner A & B	0	0	34	39	0	0	69	70	0	0	14	9								
	Corner C & D	4	5	0	0	27	27	0	0	3	3	0	0								
	Crosswalk (A-B-C)	22	11	284	289	35	34	377	363	15	19	129	106								
	Crosswalk (C-D-A)	23	40	22	21	35	75	68	70	14	93	16	19								
Eleventh Ave & West 36th	Sidewalk A	0	0	78	26	0	0	128	58												

**Appendix S.5.2**  
**PEDESTRIAN VOLUMES (SIDEWALKS, CORNERS, AND CROSSWALKS)**  
**2025 FUTURE WITH THE PROPOSED ACTION**

Intersection	Elements	Weekday AM Peak 15-Min.				Weekday MD Peak 15-Min.				Weekday PM Peak 15-Min.				Special Events Evening Peak 15-Min.				Special Events Sunday Peak 15-Min.						
Eleventh Ave & West 37th	Sidewalk A	2	2	31	22	1	1	112	28	0	0	59	13											
	Sidewalk B	193	213	158	114	333	310	126	128	233	95	34	59											
	Sidewalk C	25	28	297	315	23	33	342	303	19	24	253	101											
	Sidewalk D	73	23	0	0	131	50	0	3	54	44	1	3											
	Corner A & B	0	1	7	7	0	0	44	45	0	0	10	8											
	Corner C & D	16	18	0	0	14	13	0	0	14	8	0	0											
	Crosswalk (A-B-C)	33	11	304	304	23	24	347	312	11	38	242	98											
	Crosswalk (C-D-A)	24	11	32	12	20	27	33	29	4	16	11	29											
Eleventh Ave & West 38th	Sidewalk A	0	0	39	26	1	2	141	42	0	0	78	13											
	Sidewalk B	67	105	32	30	215	181	130	139	232	42	19	31											
	Sidewalk C	35	56	68	117	39	53	267	225	45	36	263	48											
	Sidewalk D	31	21	4	0	112	28	3	2	59	10	12	1											
	Corner A & B	0	0	12	15	0	0	52	52	0	0	8	8											
	Corner C & D	13	31	0	0	17	16	0	0	29	9	0	0											
	Crosswalk (A-B-C)	7	8	63	97	47	42	227	189	6	17	230	41											
	Crosswalk (C-D-A)	9	16	9	11	19	27	23	21	7	29	7	8											
Eleventh Ave & West 39th	Sidewalk A	0	1	36	161	6	8	168	62	2	2	80	23	1	0	11	10	0	0	155	30			
	Sidewalk B	66	112	5	6	183	136	5	34	290	42	2	13	8	5	7	1	359	38	90	3			
	Sidewalk C	35	75	77	189	49	58	179	144	79	58	339	43	6	269	8	241	445	53	693	34			
	Sidewalk D	39	68	27	47	148	42	31	30	78	14	35	66	8	208	175	0	830	23	48	255			
	Corner A & B	0	1	0	2	0	0	0	0	6	0	7	0	9	4	0	3	0	0	0	0			
	Corner C & D	1	38	12	3	5	4	0	0	46	2	14	2	1	136	0	0	190	0	49	0			
	Crosswalk (A-B-C)	28	7	69	133	26	18	186	142	5	11	288	45	1	1	8	5	58	4	400	39			
	Crosswalk (C-D-A)	49	38	34	131	39	43	157	53	34	62	77	17	2	37	19	14	144	42	542	28			
Eleventh Ave & West 40th	Sidewalk A	67	21	47	52	31	28	185	42	17	66	166	25											
	Sidewalk B	57	100	27	79	144	98	39	124	302	33	8	156											
	Sidewalk C	2	1	63	108	0	1	171	125	2	10	296	47											
	Sidewalk D	42	86	0	1	174	78	4	4	187	23	1	0											
	Corner A & B	9	12	9	11	0	7	2	5	0	0	4	0											
	Corner C & D	8	8	7	7	0	3	0	3	1	1	0	0											
	Crosswalk (A-B-C)	10	68	64	106	10	93	169	128	2	144	282	39											
	Crosswalk (C-D-A)	1	0	43	84	0	6	170	63	9	13	96	19											
Eleventh Ave & West 42nd	Sidewalk A	56	0	2	91	28	0	47	78	141	145	97	79	114	44	25	53	106	55	63	40			
	Sidewalk B	56	80	112	5	96	111	108	73	49	60	176	110	7	25	116	19	291	44	153	99			
	Sidewalk C	218	207	59	121	179	340	170	112	118	466	297	37	69	58	17	12	295	269	251	35			
	Sidewalk D	74	55	51	25	94	81	71	63	81	55	59	62	44	35	15	6	229	49	101	123			
	Corner A & B	0	0	2	5	0	0	0	0	0	0	3	1	4	10	11	1	0	0	7	12			
	Corner C & D	23	12	0	0	43	20	4	1	114	11	7	0	4	3	0	0	22	11	35	1			
	Crosswalk (A-B-C)	125	4	88	195	112	81	158	171	156	156	121	87	115	36	39	47	175	97	296	77			
	Crosswalk (C-D-A)	155	156	80	117	121	285	93	127	95	406	124	82	75	48	45	58	286	226	188	60			
Tenth Ave & W. 29th St	Sidewalk A	17	14	207	150	32	50	489	574	10	28	101	213											
	Sidewalk B	76	53	31	33	142	193	57	113	43	95	24	61											
	Sidewalk C	28	32	64	45	81	99	150	195	28	42	34	84											
	Sidewalk D	195	127	28	20	374	516	22	61	85	232	15	51											
	Corner A & B	7	7	7	3	14	19	2	3	9	11	3	9											
	Corner C & D	1	2	6	7	3	1	2	6	6	1	8	4											
	Crosswalk (A-B-C)	31	28	72	55	58	109	148	218	15	60	39	86											
	Crosswalk (C-D-A)	46	28	201	135	56	146	427	544	18	80	99	220											
Tenth Ave & W. 30th St	Sidewalk A	136	158	202	161	434	456	650	711	138	117	117	189	24	449	40	244	581	117	362	147			
	Sidewalk B	101	51	86	96	137	208	319	360	48	146	79	87	11	8	6	26	55	34	112	79			
	Sidewalk C	25	40	100	71	76	109	218	263	37	44	50	110	5	3	23	13	29	15	52	70			
	Sidewalk D	229	164	21	19	555	668	32	56	114	243	25	41	17	20	8	11	117	108	37	14			
	Corner A & B	2	4	11	2	20	24	2	1	8	5	3	12	10	1053	0	0	1073	1	3	1			
	Corner C & D	0	0	1	0	0	0	0	3	0	0	1	0	2	0	1	1	0	1	0	0			
	Crosswalk (A-B-C)	117	116	99	62	376	442	183	232	91	120	42	115	8	38	16	9	152	97	45	46			
	Crosswalk (C-D-A)	40	43	250	187	108	149	662	766	34	56	134	252	4	11	21	19	55	23	138	136			
Tenth Ave & W. 31st St	Sidewalk A	0	38	590	203	0	0	759	802	0	0	192	569	0	0	125	948	0	0	1082	279			
	Sidewalk B	107	71	101	432	200	257	236	250	64	140	472	127	6	621	37	1760	654	37	2306	65			
	Sidewalk C	45	69	128	74	117	133	189	277	70	50	62	170	6	26	13	12	30	26	57	51			
	Sidewalk D	211	157	0	0	657	712	0	0	128	198	0	0	28	1068	0	0	1190	111	0	0			
	Corner A & B	0	0	8	11	0	0	24	16	0	0	4	12	0	0	0	2	0	0	4	9			
	Corner C & D	2	3	0	0	2	10	0	0	3	12	0	0	1	1	0	0	0	1	0	0			
	Crosswalk (A-B-C)	87	419	126	80	259	264	212	290	460	99	58	163	28	1780	13	600	1903	52	666	57			
	Crosswalk (C-D-A)	31	57	8	1	91	98	6	8	61	39	16	16	6	614	3	4	627	17	3	3			
Tenth Ave & W. 33rd St	Sidewalk A	161	562	547	405	426	441	737	777	615	219	293	533	34	160	35	46	272	83	203	190			
	Sidewalk B	227	166	140	618	464	388	256	291	525	207	639	196	30	95	24	433	220	113	477	74			
	Sidewalk C	435	1069	130	130	526	608	239	280	1216	521	159	153	96	2381	16	625	2670	198	660	53			
	Sidewalk D	252	454	422	698	825	839	614	615	675	244	874	445	491	499	61	1917	675	609	2162	175			
	Corner A & B	0	2	26	9	12	12	22	11	6	2	22	31	0	2	1	2	15	2	7	10			
	Corner C & D	7	19	9	3	4	11	36	28	22	19	4	8	2	583	444	0	604	2	2	458			
	Crosswalk (A-B-C)	186	738	352	231	421	396	420	392	972	218	362	363	41	401	34	143	500	84	208	114			
	Crosswalk (C-D-A)	451	924	449	411	624	638	952	975	1194	517	563	433	82	1869	32	129	2142	186	290	196			
Tenth Ave & W. 34th St	Sidewalk A	143	616	489	229	662	681	686	716	701	145	196	569	37	55	27	40	159	125	172	158			
	Sidewalk B	181	177	80	488	406	430	366	387	154	223	498	129	28	49	39	179	145	136	218	110			
	Sidewalk C	116	820	235	228	537	622	459	450	675	179	288	227	64	377	30	97	425	106	211	114			
	Sidewalk D	338	618	90																				

**Appendix S.5.2**  
**PEDESTRIAN VOLUMES (SIDEWALKS, CORNERS, AND CROSSWALKS)**  
**2025 FUTURE WITH THE PROPOSED ACTION**

Intersection	Elements	Weekday AM Peak 15-Min.				Weekday MD Peak 15-Min.				Weekday PM Peak 15-Min.				Special Events Evening Peak 15-Min.				Special Events Sunday Peak 15-Min.			
<b>Tenth Ave &amp; W. 36th St</b>	Sidewalk A	73	122	203	212	138	151	542	547	123	84	181	152								
	Sidewalk B	158	151	85	171	376	386	179	184	140	139	190	102								
	Sidewalk C	45	96	168	155	197	213	327	329	87	55	139	142								
	Sidewalk D	211	267	34	78	661	656	155	171	242	169	101	61								
	Corner A & B	3	8	13	12	4	11	24	16	8	2	9	10								
	Corner C & D	9	10	3	0	11	13	3	0	8	8	0	8								
	Crosswalk (A-B-C)	94	166	222	181	206	214	348	339	192	113	150	134								
	Crosswalk (C-D-A)	78	174	245	276	244	259	602	606	203	74	229	198								
<b>Tenth Ave &amp; W. 37th St</b>	Sidewalk A	126	174	199	188	305	310	388	394	146	103	160	137								
	Sidewalk B	196	179	114	164	381	372	255	266	151	161	137	95								
	Sidewalk C	65	143	155	152	134	153	324	333	113	58	123	126								
	Sidewalk D	212	217	25	74	510	506	55	60	185	157	83	34								
	Corner A & B	4	5	23	21	12	12	31	27	9	5	20	24								
	Corner C & D	19	19	4	1	19	17	2	2	7	9	3	6								
	Crosswalk (A-B-C)	153	204	150	163	330	331	339	334	191	127	121	118								
	Crosswalk (C-D-A)	79	309	236	215	154	154	469	471	296	86	169	152								
<b>Tenth Ave &amp; W. 38th St</b>	Sidewalk A	98	195	196	255	285	309	313	320	174	97	206	163								
	Sidewalk B	148	170	67	149	317	299	205	225	154	126	110	72								
	Sidewalk C	53	100	186	158	152	164	325	329	100	60	143	174								
	Sidewalk D	192	227	40	133	356	347	159	162	175	140	150	44								
	Corner A & B	6	29	3	5	18	23	14	15	25	6	1	3								
	Corner C & D	21	21	2	0	25	26	2	3	15	16	2	4								
	Crosswalk (A-B-C)	108	206	138	141	276	306	313	305	160	101	139	127								
	Crosswalk (C-D-A)	69	138	190	263	193	193	362	357	160	65	198	154								
<b>Tenth Ave &amp; W. 39th St</b>	Sidewalk A	25	208	155	323	54	62	249	255	205	46	277	144								
	Sidewalk B	181	327	23	65	333	321	59	68	325	166	67	41								
	Sidewalk C	61	120	141	156	163	165	259	249	119	69	158	115								
	Sidewalk D	205	265	39	187	293	289	171	176	222	177	190	59								
	Corner A & B	6	81	2	1	7	7	5	4	77	8	1	2								
	Corner C & D	23	15	0	0	17	17	2	0	10	14	1	0								
	Crosswalk (A-B-C)	46	154	160	233	76	83	307	297	156	62	243	139								
	Crosswalk (C-D-A)	74	195	177	268	189	194	271	275	202	88	234	163								
<b>Tenth Ave &amp; W. 40th St</b>	Sidewalk A	56	58	216	338	122	152	288	288	36	78	303	197								
	Sidewalk B	316	392	59	169	463	452	143	167	380	309	165	80								
	Sidewalk C	11	37	182	341	36	56	323	315	27	23	330	172								
	Sidewalk D	153	321	4	8	235	239	10	8	293	145	7	5								
	Corner A & B	31	31	109	14	40	37	74	75	24	26	19	123								
	Corner C & D	4	2	1	0	16	18	2	4	3	5	1	0								
	Crosswalk (A-B-C)	78	117	192	332	161	191	319	295	92	90	328	175								
	Crosswalk (C-D-A)	17	27	156	314	30	41	235	230	21	21	296	145								
<b>Tenth Ave &amp; W. 41st St</b>	Sidewalk A	65	29	128	204	77	73	191	212	47	52	141	115								
	Sidewalk B	163	230	74	34	381	343	112	102	297	134	63	57								
	Sidewalk C	52	71	494	1017	108	138	601	581	45	71	979	491								
	Sidewalk D	231	355	66	231	274	279	113	185	329	216	163	189								
	Corner A & B	3	4	7	11	2	7	31	29	3	4	14	11								
	Corner C & D	22	34	26	25	57	59	28	28	23	20	20	21								
	Crosswalk (A-B-C)	116	43	128	227	132	111	345	311	77	70	274	96								
	Crosswalk (C-D-A)	159	387	138	200	206	263	215	225	326	268	159	130								
<b>Tenth Ave &amp; W. 42nd St</b>	Sidewalk A	184	72	69	84	206	103	149	155	256	154	85	86								
	Sidewalk B	90	118	210	147	253	244	220	187	104	127	226	214								
	Sidewalk C	382	502	118	180	357	510	260	221	435	603	256	90								
	Sidewalk D	136	185	259	270	174	187	267	426	129	120	185	503								
	Corner A & B	10	6	14	12	7	3	35	22	13	8	29	32								
	Corner C & D	30	28	20	26	46	18	17	17	128	80	22	14								
	Crosswalk (A-B-C)	227	101	114	194	234	153	264	293	228	190	137	145								
	Crosswalk (C-D-A)	285	267	91	170	293	429	157	201	203	505	105	111								
<b>Dyer Ave &amp; W. 42nd St</b>	Sidewalk A	99	119	0	0	71	90	0	0	179	120	0	0								
	Sidewalk B	0	0	122	116	0	0	87	97	0	0	185	164								
	Sidewalk C	146	247	3	6	178	284	1	2	207	240	12	6								
	Sidewalk D	1	0	157	224	1	4	178	275	3	1	212	224								
	Corner A & B	0	0	0	0	0	0	0	0	0	0	0	0								
	Corner C & D	3	0	0	0	0	1	0	0	0	4	0	0								
	Crosswalk (A-B-C)	106	71	4	6	78	59	1	6	158	132	4	8								
	Crosswalk (C-D-A)	152	232	6	2	179	275	3	2	212	257	10	11								
<b>Ninth Ave &amp; W. 30th St</b>	Sidewalk A	92	95	261	55	303	346	293	320	81	87	71	106	15	28	99	14	128	96	431	71
	Sidewalk B	195	93	42	53	433	467	52	87	129	169	39	62	67	47	7	50	287	150	52	110
	Sidewalk C	63	50	129	120	70	76	412	421	43	73	118	139	10	25	48	36	89	148	230	121
	Sidewalk D	135	108	288	51	401	399	101	109	109	105	43	116	67	13	25	12	180	134	156	23
	Corner A & B	8	0	3	14	4	3	11	14	4	5	9	12	7	0	7	6	3	15	45	18
	Corner C & D	18	9	8	22	3	10	12	2	4	6	22	4	2	3	2	2	1	20	79	51
	Crosswalk (A-B-C)	110	78	161	105	213	258	415	460	69	77	123	165	11	46	46	38	105	152	255	123
	Crosswalk (C-D-A)	106	35	303	97	79	91	395	404	39	78	83	121	11	18	79	13	106	122	320	105
<b>Ninth Ave &amp; W. 31st St</b>	Sidewalk A	114	498	194	319	298	311	291	304	558	131	284	185	34	678	131	523	692	402	652	238
	Sidewalk B	119	226	147	197	201	209	576	688	235	98	317	153	19	27	42	2113	141	36	2077	594
	Sidewalk C	115	176	223	112	96	109	452	509	131	67	182	177	19	63	63	41	30	70	253	135
	Sidewalk D	95	79	70	137	404	425	176	161	85	105	122	46	82	30	11	24	435	91	28	29
	Corner A & B	37	219	9	34	43	42	10	6	274	168	44	127	34	63	0	1	80	88	13	67
	Corner C & D	49	50	15	18	10	2	73	77	36	123	25	84	8	10	1	1	2	3	8	9
	Crosswalk (A-B-C)	90	319	125	138	348	374	482	553	412	108	125	150	33	2131	51	37	1961	503	276	

**Appendix S.5.2**  
**PEDESTRIAN VOLUMES (SIDEWALKS, CORNERS, AND CROSSWALKS)**  
**2025 FUTURE WITH THE PROPOSED ACTION**

Intersection	Elements	Weekday AM Peak 15-Min.				Weekday MD Peak 15-Min.				Weekday PM Peak 15-Min.				Special Events Evening Peak 15-Min.				Special Events Sunday Peak 15-Min.			
Ninth Ave & W. 34th St	Sidewalk A	122	458	182	180	415	434	502	522	534	175	256	200	46	65	39	367	143	107	101	462
	Sidewalk B	169	184	111	456	548	491	314	243	244	231	784	150	43	103	77	673	179	208	339	379
	Sidewalk C	140	526	162	271	270	259	716	678	712	151	305	303	110	659	67	317	615	503	339	463
	Sidewalk D	211	284	130	962	566	725	575	646	319	249	784	189	43	944	72	377	208	959	470	129
	Corner A & B	161	216	149	207	101	109	22	14	101	186	83	177	1	7	26	16	4	7	12	11
	Corner C & D	142	254	445	139	73	87	266	220	91	152	95	183	25	159	52	9	141	194	34	23
	Crosswalk (A-B-C)	155	469	180	245	383	344	559	497	833	216	300	301	69	417	55	303	295	262	252	345
	Crosswalk (C-D-A)	181	705	190	208	400	434	451	447	716	197	368	191	61	635	38	569	515	432	131	576
Ninth Ave & W. 37th St	Sidewalk A	116	146	95	322	243	255	247	461	181	103	153	279								
	Sidewalk B	144	187	63	156	378	376	110	192	216	170	131	134								
	Sidewalk C	54	112	179	203	96	109	449	397	126	57	288	156								
	Sidewalk D	96	314	62	129	304	488	129	120	106	295	157	62								
	Corner A & B	19	86	9	7	28	91	16	14	28	78	7	7								
	Corner C & D	16	16	11	4	18	16	5	6	8	11	2	10								
	Crosswalk (A-B-C)	83	115	163	191	177	196	427	399	179	91	292	167								
	Crosswalk (C-D-A)	54	108	106	321	119	106	289	497	146	57	143	285								
Ninth Ave & W. 38th St	Sidewalk A	57	127	51	78	165	185	186	218	117	69	84	107								
	Sidewalk B	127	269	22	58	266	309	51	61	159	159	72	86								
	Sidewalk C	139	79	157	133	96	90	239	249	80	65	136	159								
	Sidewalk D	93	75	56	92	222	205	129	151	102	118	95	55								
	Corner A & B	4	35	1	9	18	23	7	12	17	9	10	10								
	Corner C & D	8	11	3	3	18	16	1	7	8	9	4	7								
	Crosswalk (A-B-C)	53	79	178	256	103	106	305	332	97	69	210	166								
	Crosswalk (C-D-A)	54	92	90	69	97	110	216	230	103	76	99	77								
Ninth Ave & W. 39th St	Sidewalk A	31	84	75	111	56	73	168	170	82	49	169	88								
	Sidewalk B	146	407	22	37	318	346	59	86	345	194	56	53								
	Sidewalk C	57	59	116	294	87	93	286	294	80	76	306	172								
	Sidewalk D	61	69	60	104	162	132	139	143	117	80	109	72								
	Corner A & B	5	16	8	6	9	5	8	10	40	4	7	4								
	Corner C & D	12	3	0	2	12	25	0	1	0	10	2	4								
	Crosswalk (A-B-C)	27	74	133	346	56	74	330	330	83	68	336	199								
	Crosswalk (C-D-A)	57	92	63	97	134	121	147	141	108	82	145	68								
Ninth Ave & W. 42nd St	Sidewalk A	229	120	122	120	232	187	283	231	340	196	227	179								
	Sidewalk B	139	158	253	256	239	231	270	252	219	207	410	303								
	Sidewalk C	275	233	184	196	285	402	251	212	283	368	247	193								
	Sidewalk D	73	72	265	256	180	203	292	363	125	124	282	323								
	Corner A & B	16	19	12	21	26	34	24	31	19	41	22	41								
	Corner C & D	37	12	9	10	36	37	11	18	32	27	15	9								
	Crosswalk (A-B-C)	257	163	158	252	259	236	254	273	393	279	249	305								
	Crosswalk (C-D-A)	248	229	149	171	289	390	245	237	277	339	257	243								
Eighth Ave & W. 30th St	Sidewalk A	66	38	174	143	60	81	283	349	47	73	188	222	20	68	81	70	89	132	169	158
	Sidewalk B	302	343	50	67	408	464	98	138	336	394	119	119	182	144	30	63	188	182	44	38
	Sidewalk C	57	42	185	178	78	99	279	239	40	52	253	244	12	30	115	40	19	14	261	110
	Sidewalk D	134	126	58	30	222	261	54	67	159	169	41	82	88	62	23	41	108	86	40	164
	Corner A & B	32	15	84	24	21	23	63	65	11	31	57	105	10	21	21	44	33	27	24	14
	Corner C & D	13	9	0	12	17	16	11	11	6	10	0	3	6	1	4	2	1	8	17	10
	Crosswalk (A-B-C)	34	74	202	201	66	89	315	319	51	66	266	279	12	50	91	45	53	105	195	117
	Crosswalk (C-D-A)	45	33	139	117	55	85	186	210	38	57	162	196	20	24	71	52	24	92	115	93
Eighth Ave & W. 31st St	Sidewalk A	202	226	93	178	427	305	107	240	353	107	125	242	90	198	74	110	259	212	99	137
	Sidewalk B	187	171	284	388	275	249	500	389	202	253	416	257	88	73	136	797	224	230	880	264
	Sidewalk C	30	75	252	170	83	93	419	336	79	54	228	238	2	77	169	106	37	125	173	157
	Sidewalk D	146	112	50	160	252	223	133	116	128	180	97	100	138	139	77	108	126	124	28	69
	Corner A & B	20	41	22	18	30	47	32	28	29	23	33	23	21	11	39	84	9	11	37	33
	Corner C & D	12	8	30	15	7	7	31	36	7	7	22	27	1	3	44	58	7	10	5	5
	Crosswalk (A-B-C)	176	277	353	331	406	296	432	489	406	137	252	421	114	1435	176	96	1331	362	258	146
	Crosswalk (C-D-A)	88	129	133	131	108	149	250	267	108	149	193	159	37	81	74	67	74	114	131	113
Eighth Ave & W. 33rd St	Sidewalk A	241	588	488	498	322	267	758	511	414	220	831	512	79	288	255	212	328	179	407	298
	Sidewalk B	330	433	255	373	591	470	257	207	821	223	369	227	114	416	123	385	514	418	264	271
	Sidewalk C	455	491	438	344	747	703	490	432	561	716	488	573	150	702	189	271	641	369	204	199
	Sidewalk D	213	202	392	529	340	261	891	697	332	145	999	417	149	84	255	2063	171	93	2146	580
	Corner A & B	26	37	31	17	55	31	74	58	88	46	55	60	15	46	34	30	42	57	49	42
	Corner C & D	32	24	25	31	74	86	70	78	42	86	59	72	25	28	44	28	131	67	17	23
	Crosswalk (A-B-C)	381	433	498	495	352	364	809	735	762	305	1210	370	133	538	159	342	423	314	310	405
	Crosswalk (C-D-A)	553	488	860	464	665	507	662	450	760	414	872	456	276	1566	405	239	1587	487	366	241
Eighth Ave & W. 34th St	Sidewalk A	445	408	244	259	454	223	344	329	920	284	409	444	242	157	67	70	415	220	226	210
	Sidewalk B	256	248	164	264	353	325	311	316	324	200	281	309	132	178	193	466	322	309	486	422
	Sidewalk C	132	279	388	315	209	211	497	408	344	175	622	271	181	680	63	222	758	384	371	372
	Sidewalk D	334	259	150	440	475	346	192	137	496	437	559	132	224	197	56	642	406	238	667	457
	Corner A & B	48	44	53	52	53	39	62	62	111	62	120	119	111	194	823	977	34	25	121	38
	Corner C & D	31	36	35	39	83	46	29	31	112	41	76	54	137	380	161	58	141	65	55	22
	Crosswalk (A-B-C)	295	411	349	390	534	411	603	533	791	370	640	520	175	296	194	368	455	281	290	256
	Crosswalk (C-D-A)	209	392	327	327	288	310	496	521	494	219	537	557	809	1475	110	172	810	350	258	313
Eighth Ave & W. 37th St	Sidewalk A	53	99	286	274	241	173	113	161	105	70	330	402								
	Sidewalk B	174	330	120	56	255	287	86	94	459	406	46	130								
	Sidewalk C	63	51	221	221	83	171	154	155	96	72	351	291								
	Sidewalk D	258	269	67	96	258	147	201	116	467	461	141	116		</						

**Appendix S.5.2**  
**PEDESTRIAN VOLUMES (SIDEWALKS, CORNERS, AND CROSSWALKS)**  
**2025 FUTURE WITH THE PROPOSED ACTION**

Intersection	Elements	Weekday AM Peak 15-Min.				Weekday MD Peak 15-Min.				Weekday PM Peak 15-Min.				Special Events Evening Peak 15-Min.				Special Events Sunday Peak 15-Min.			
<b>Eighth Ave &amp; W. 39th St</b>	Sidewalk A	44	80	133	520	131	93	345	483	129	45	722	484								
	Sidewalk B	126	1372	239	61	324	532	157	206	998	389	42	148								
	Sidewalk C	149	71	167	470	152	242	367	305	65	211	711	253								
	Sidewalk D	248	626	135	76	513	401	181	129	913	401	108	115								
	Corner A & B	1	14	58	23	31	46	35	39	17	27	10	94								
	Corner C & D	40	21	21	61	39	73	29	33	13	22	15	21								
	Crosswalk (A-B-C)	105	25	143	680	124	127	269	343	79	92	540	381								
	Crosswalk (C-D-A)	88	102	249	477	113	757	448	400	101	187	1167	432								
<b>Eighth Ave &amp; W. 42nd St</b>	Sidewalk A	503	395	645	153	424	358	289	323	544	638	273	1530								
	Sidewalk B	480	163	367	144	309	343	458	377	429	397	389	298								
	Sidewalk C	1058	356	595	144	595	511	498	535	720	1296	472	765								
	Sidewalk D	801	108	418	221	391	423	398	402	280	1639	530	584								
	Corner A & B	46	47	60	47	5	47	75	110	28	176	99	192								
	Corner C & D	8	241	54	41	26	117	106	89	41	75	95	99								
	Crosswalk (A-B-C)	296	416	461	162	313	292	454	424	571	340	619	708								
	Crosswalk (C-D-A)	1283	286	928	296	424	505	334	359	479	1234	296	1336								
<b>Seventh Ave &amp; W. 31st St</b>	Sidewalk A	193	325	142	552	386	344	380	428	551	243	469	386								
	Sidewalk B	333	677	383	346	448	253	213	293	498	260	464	452								
	Sidewalk C	176	140	166	392	171	157	289	253	258	367	360	402								
	Sidewalk D	134	785	120	88	440	371	62	60	286	311	230	235								
	Corner A & B	17	0	141	19	19	17	134	36	18	23	101	39								
	Corner C & D	11	74	42	46	40	40	21	18	28	28	32	23								
	Crosswalk (A-B-C)	467	412	145	333	372	309	292	371	600	434	324	311								
	Crosswalk (C-D-A)	160	219	165	474	186	172	330	352	304	375	395	344								
<b>Seventh Ave &amp; W. 33rd St</b>	Sidewalk A	212	326	232	567	294	240	463	397	322	386	439	391								
	Sidewalk B	316	455	309	259	403	538	283	220	302	466	439	367								
	Sidewalk C	448	315	390	259	385	365	393	303	494	371	304	270								
	Sidewalk D	605	274	288	671	385	354	573	503	347	473	693	511								
	Corner A & B	48	72	37	62	32	48	67	101	54	21	35	80								
	Corner C & D	28	68	67	40	51	68	46	46	57	28	33	57								
	Crosswalk (A-B-C)	389	376	370	340	357	383	390	377	465	517	379	385								
	Crosswalk (C-D-A)	543	621	364	572	524	521	527	504	608	547	538	484								
<b>Seventh Ave &amp; W. 34th St</b>	Sidewalk A	243	152	503	180	312	262	333	310	884	401	520	666								
	Sidewalk B	632	89	196	258	250	224	366	284	297	833	954	170								
	Sidewalk C	509	402	233	215	258	235	297	255	390	558	293	651								
	Sidewalk D	220	343	1104	253	232	243	213	239	570	417	520	638								
	Corner A & B	226	32	37	112	358	402	313	343	581	533	544	471								
	Corner C & D	75	54	61	34	291	291	218	240	510	408	402	351								
	Crosswalk (A-B-C)	576	199	319	179	442	424	304	318	176	158	123	119								
	Crosswalk (C-D-A)	593	273	1009	303	277	276	353	357	259	155	152	177								
<b>Sixth Ave &amp; W. 33rd St</b>	Sidewalk A	214	102	224	167	168	96	364	311	246	313	672	532								
	Sidewalk B	243	204	245	75	270	191	129	194	414	294	156	524								
	Sidewalk C	328	120	316	191	235	272	273	274	294	515	279	472								
	Sidewalk D	572	286	272	386	321	366	261	189	648	922	534	584								
	Corner A & B	18	1	17	17	39	39	33	33	34	35	33	79								
	Corner C & D	0	62	191	97	33	33	92	130	68	68	99	328								
	Crosswalk (A-B-C)	346	166	178	225	320	327	323	248	343	565	479	382								
	Crosswalk (C-D-A)	392	347	369	171	319	300	356	333	725	696	389	425								
<b>Sixth Ave &amp; W. 34th St</b>	Sidewalk A	14	30	3	4	28	51	9	8	37	48	6	6	0	0	0	0	0	0	0	0
	Sidewalk B	517	411	385	159	878	972	394	602	832	852	662	939	154	168	210	468	475	345	341	254
	Sidewalk C	441	112	417	386	304	339	867	914	624	550	515	582	236	289	249	188	437	368	229	195
	Sidewalk D	2	4	14	23	0	1	28	48	4	4	37	47	0	0	0	0	0	0	0	0
	Corner A & B	1	1	90	50	8	6	199	251	2	2	73	443	0	0	55	152	0	0	90	213
	Corner C & D	44	25	0	0	92	54	0	0	31	19	0	0	17	59	0	0	42	22	0	0
	Crosswalk (A-B-C)	172	469	465	312	868	706	618	762	953	573	387	776	250	140	185	212	329	461	407	348
	Crosswalk (C-D-A)	651	100	3	4	861	708	2	2	712	797	4	4	213	321	0	0	532	427	0	0
<b>Broadway &amp; W. 34th St</b>	Sidewalk A	434	223	794	223	405	569	811	899	832	1347	826	1149	432	326	206	305	502	645	475	427
	Sidewalk B	16	15	15	30	67	65	28	51	13	14	38	48	0	0	0	0	0	0	0	0
	Sidewalk C	15	23	15	15	28	49	62	64	38	48	13	13	0	0	0	0	0	0	0	0
	Sidewalk D	612	391	563	199	983	916	724	446	1017	940	930	1035	336	297	429	574	611	551	644	628
	Corner A & B	254	52	0	0	141	185	0	0	118	475	0	0	42	79	0	0	114	174	0	0
	Corner C & D	0	0	51	253	0	0	282	396	0	0	557	535	0	0	133	119	0	0	194	59
	Crosswalk (A-B-C)	1151	219	15	15	1056	735	59	59	532	1191	12	12	370	183	0	0	359	445	0	0
	Crosswalk (C-D-A)	655	102	684	138	697	887	1001	1112	715	801	838	1132	214	322	283	161	317	320	298	284
<b>Blvd &amp; W. 33rd St</b>	Sidewalk A	64	183	542	1746	225	255	643	674	207	88	1840	652	23	830	75	201	897	59	435	209
	Sidewalk B	170	168	502	480	401	423	350	399	173	188	445	568	9	115	31	726	180	84	973	81
	Sidewalk C	385	396	0	0	548	580	0	0	400	411	0	0	46	1910	0	0	2109	150	0	0
	Sidewalk D	0	0	47	215	0	0	218	229	0	0	231	73	0	0	7	1163	0	0	1529	30
	Corner A & B	6	4	59	56	43	43	93	92	3	4	64	64	0	58	2	2	215	3	11	12
	Corner C & D	0	0	0	0	0	0	0	0	0	0	0	0	0	0	0	0	0	0	0	0
	Crosswalk (A-B-C)	760	425	186	585	433	454	460	511	467	816	425	213	40	669	19	190	654	113	569	123
	Crosswalk (C-D-A)	101	118	280	1036	190	190	350	376	95	100	1104	370	10	5	35	302	389	48	371	117
<b>Blvd &amp; W. 34th St</b>	Sidewalk A	79	203	770	343	438	428	517	514	274	93	356	826	7	186	25	284	269	72	318	123
	Sidewalk B	392	221	275	343	365	363	373	399	236	435	328	320	15	222	17	103	322	88	181	97
	Sidewalk C	56	319	180	618	421	418	388	411	445	82	555	209	51	295	16	117	318	62	195	87
	Sidewalk D	229	228	47	426	396															

**Appendix S.5.2**  
**PEDESTRIAN VOLUMES (SIDEWALKS, CORNERS, AND CROSSWALKS)**  
**2025 FUTURE WITH THE PROPOSED ACTION**

Intersection	Elements	Weekday AM Peak 15-Min.				Weekday MD Peak 15-Min.				Weekday PM Peak 15-Min.				Special Events Evening Peak 15-Min.				Special Events Sunday Peak 15-Min.			
<b>Blvd &amp; W. 36th St</b>	Sidewalk A	41	82	234	142	90	98	573	559	100	68	138	220	12	12	14	19	101	40	137	89
	Sidewalk B	190	147	39	81	373	360	110	119	137	168	108	62	16	18	11	10	151	95	99	40
	Sidewalk C	36	101	311	262	151	157	438	432	121	61	144	192	12	245	13	132	318	39	248	87
	Sidewalk D	258	233	190	176	670	656	86	83	213	211	86	101	12	313	19	78	196	95	164	49
	Corner A & B	5	4	3	2	13	13	3	3	8	8	1	1	2	3	0	0	32	5	2	2
	Corner C & D	8	28	0	0	52	52	0	0	29	7	0	0	1	118	0	0	143	6	0	0
	Crosswalk (A-B-C)	51	96	196	151	132	139	377	365	116	75	134	194	14	12	14	16	111	49	143	89
Crosswalk (C-D-A)	164	225	265	176	175	174	622	607	161	87	177	251	18	134	14	20	224	52	146	102	
<b>Blvd &amp; W. 37th St</b>	Sidewalk A	53	93	206	479	226	235	572	564	94	49	447	211	6	7	17	19	104	35	142	86
	Sidewalk B	183	152	88	110	350	344	283	273	140	154	135	70	17	25	12	10	142	102	149	59
	Sidewalk C	17	74	210	156	49	55	331	323	88	24	148	189	3	2	17	20	57	13	149	103
	Sidewalk D	220	565	29	23	576	558	21	29	564	214	14	28	20	21	2	4	156	94	72	15
	Corner A & B	1	1	1	1	7	7	1	1	1	1	1	1	0	2	0	0	27	1	1	1
	Corner C & D	3	11	0	5	3	3	1	1	12	3	5	0	0	0	0	0	21	2	0	0
	Crosswalk (A-B-C)	96	129	205	163	339	330	326	317	147	74	156	179	11	14	18	22	132	65	165	103
Crosswalk (C-D-A)	39	108	250	520	80	85	567	552	120	39	498	243	5	5	19	22	83	25	159	98	
<b>Blvd &amp; W. 38th St</b>	Sidewalk A	49	93	188	748	210	217	422	420	93	46	697	197	5	5	27	22	98	31	171	87
	Sidewalk B	140	171	45	139	234	235	251	263	148	115	116	49	16	20	10	7	158	98	74	37
	Sidewalk C	38	131	188	170	150	154	299	298	140	41	143	165	10	18	19	29	73	30	136	103
	Sidewalk D	179	943	53	38	508	506	38	47	886	185	25	54	31	23	4	7	151	81	83	27
	Corner A & B	0	0	2	0	0	0	1	1	0	0	1	2	0	0	0	1	37	0	1	1
	Corner C & D	5	10	1	18	48	48	3	2	10	4	21	1	1	7	0	0	22	4	1	0
	Crosswalk (A-B-C)	74	164	161	194	297	308	243	245	138	66	163	138	11	8	19	22	109	52	137	97
Crosswalk (C-D-A)	72	214	209	815	162	167	452	455	213	67	756	230	16	16	24	19	100	48	159	84	







**Appendix S.5.3**  
Existing Conditions - Sidewalks Level of Service

Intersection	Side-walk	AM								MD				PM				SE-EVE				SE-SUN						
		Vol. Two-Way	Sidewalk Width	Average		Platoon		Vol. Two-Way	Average		Platoon		Vol. Two-Way	Average		Platoon		Vol. Two-Way	Average		Platoon		Vol. Two-Way	Average		Platoon		
				p/m/f	LOS	p/m/f	LOS		p/m/f	LOS	p/m/f	LOS		p/m/f	LOS	p/m/f	LOS		p/m/f	LOS	p/m/f	LOS		p/m/f	LOS	p/m/f	LOS	
Tenth Ave @ 36th St	1	7	12	0	A	4	B	32	0	A	4	B	26	0	A	4	B											
	2	11	10	0	A	4	B	21	0	A	4	B	27	0	A	4	B											
	3	12	9	0	A	4	B	12	0	A	4	B	12	0	A	4	B											
	4	17	9	0	A	4	B	37	0	A	4	B	31	0	A	4	B											
	5	14	12	0	A	4	B	19	0	A	4	B	32	0	A	4	B											
	6	8	12	0	A	4	B	25	0	A	4	B	29	0	A	4	B											
	7	12	9	0	A	4	B	24	0	A	4	B	23	0	A	4	B											
	8	12	10	0	A	4	B	20	0	A	4	B	0	0	A	4	B											
Tenth Ave @ 37th St	1	7	5	0	A	4	B	16	0	A	4	B	14	0	A	4	B											
	2	24	5	0	A	4	B	34	0	A	4	B	22	0	A	4	B											
	3	19	9	0	A	4	B	6	0	A	4	B	12	0	A	4	B											
	4	32	9	0	A	4	B	34	0	A	4	B	17	0	A	4	B											
	5	16	12	0	A	4	B	10	0	A	4	B	24	0	A	4	B											
	6	3	12	0	A	4	B	16	0	A	4	B	13	0	A	4	B											
	7	16	9	0	A	4	B	12	0	A	4	B	14	0	A	4	B											
	8	12	9	0	A	4	B	21	0	A	4	B	13	0	A	4	B											
Tenth Ave @ 38th St	1	16	12	0	A	4	B	14	0	A	4	B	13	0	A	4	B											
	2	15	12	0	A	4	B	25	0	A	4	B	13	0	A	4	B											
	3	14	9	0	A	4	B	35	0	A	4	B	15	0	A	4	B											
	4	2	9	0	A	4	B	13	0	A	4	B	12	0	A	4	B											
	5	7	12	0	A	4	B	14	0	A	4	B	18	0	A	4	B											
	6	12	12	0	A	4	B	17	0	A	4	B	15	0	A	4	B											
	7	4	9	0	A	4	B	15	0	A	4	B	13	0	A	4	B											
	8	12	9	0	A	4	B	12	0	A	4	B	30	0	A	4	B											
Tenth Ave @ 39th St	1	5	12	0	A	4	B	7	0	A	4	B	4	0	A	4	B											
	2	10	12	0	A	4	B	13	0	A	4	B	10	0	A	4	B											
	3	0	9	0	A	4	B	2	0	A	4	B	1	0	A	4	B											
	4	9	9	0	A	4	B	7	0	A	4	B	9	0	A	4	B											
	5	19	12	0	A	4	B	14	0	A	4	B	20	0	A	4	B											
	6	7	12	0	A	4	B	14	0	A	4	B	7	0	A	4	B											
	7	2	10	0	A	4	B	8	0	A	4	B	9	0	A	4	B											
	8	0	7	0	A	4	B	2	0	A	4	B	0	0	A	4	B											
Tenth Ave @ 40th St	1	2	12	0	A	4	B	16	0	A	4	B	21	0	A	4	B											
	2	30	12	0	A	4	B	20	0	A	4	B	35	0	A	4	B											
	3	7	9	0	A	4	B	11	0	A	4	B	25	0	A	4	B											
	4	4	9	0	A	4	B	8	0	A	4	B	3	0	A	4	B											
	5	27	12	0	A	4	B	25	0	A	4	B	22	0	A	4	B											
	6	3	12	0	A	4	B	5	0	A	4	B	21	0	A	4	B											
	7	4	10	0	A	4	B	4	0	A	4	B	0	0	A	4	B											
	8	6	10	0	A	4	B	15	0	A	4	B	10	0	A	4	B											
Tenth Ave @ 41st St	1	36	12	0	A	4	B	14	0	A	4	B	24	0	A	4	B											
	2	37	14	0	A	4	B	44	0	A	4	B	48	0	A	4	B											
	3	12	8	0	A	4	B	15	0	A	4	B	13	0	A	4	B											
	4	0	11.5	0	A	4	B	9	0	A	4	B	13	0	A	4	B											
	5	20	13	0	A	4	B	38	0	A	4	B	44	0	A	4	B											
	6	13	8	0	A	4	B	8	0	A	4	B	26	0	A	4	B											
	7	0	13	0	A	4	B	8	0	A	4	B	9	0	A	4	B											
	8	15	9	0	A	4	B	13	0	A	4	B	13	0	A	4	B											
Tenth Ave @ 42nd St	1	19	17	0	A	4	B	48	0	A	4	B	53	0	A	4	B											
	2	57	17	0	A	4	B	56	0	A	4	B	85	0	A	4	B											
	3	117	18	0	A	4	B	68	0	A	4	B	130	0	A	4	B											
	4	94	12	1	A	5	B	73	0	A	4	B	108	1	A	5	B											
	5	42	8	0	A	4	B	26	0	A	4	B	44	0	A	4	B											
	6	50	13	0	A	4	B	34	0	A	4	B	36	0	A	4	B											
	7	30	13	0	A	4	B	54	0	A	4	B	48	0	A	4	B											
	8	85	12.5	0	A	4	B	66	0	A	4	B	129	1	A	5	B											
Dyer @ 42nd St	3	164	19	1	A	5	B	121	0	A	4	B	260	1	A	5	B											
	4	75	18	0	A	4	B	90	0	A	4	B	118	0	A	4	B											
	5	8	5.6	0	A	4	B	3	0	A	4	B	16	0	A	4	B											
	6	1	2.1	0	A	4	B	5	0	A	4	B	4	0	A	4	B											
	7	65	18	0	A	4	B	82	0	A	4	B	109	0	A	4	B											
	8	146	19	1	A	5	B	101	0	A	4	B	216	1	A	5	B											
	Ninth Ave @ 30th St	1	201	14	1	A	5	B	42	0	A	4	B	50	0	A	4	B	28	0	A	4	B	84	0	A	4	B
		2	144	8	1	A	5	B	125	1	A	5	B	100	1	A	5	B	67	1	A	5	B	104	1	A	5	B
3		44	6	0	A	4	B	17	0	A	4	B	36	0	A	4	B	19	0	A	4	B	38	0	A	4	B	
4		62	10	0	A	4	B	27	0	A	4	B	54	0	A	4	B	18	0	A	4	B	75	1	A	5	B	
5		69	13	0	A	4	B	86	0	A	4	B	77	0	A	4	B	49	0	A	4	B	73	0	A	4		





## Appendix S.5.3

### Pedestrian Improvement Analysis - Sidewalks Level of Service

#### 2010 Future Conditions (AM)

Intersection	Walkway Location	2010 Future without the Proposed Action					2010 Future with the Proposed Action						2010 Future with the Proposed Action (Improvement)					
		Effective Walkway width	Actual walkway width	Sidewalk Volumes	Platoon Flow Rate (ped/min/ft)	Platoon Level of Service	Effective Walkway width	Actual walkway width	Sidewalk Volumes	Platoon Flow Rate (ped/min/ft)	Platoon Level of Service	Impact?	Proposed Effective Walkway width	Proposed Actual walkway width	Sidewalk Volumes	Platoon Flow Rate (ped/min/ft)	Platoon Level of Service	Still Impact?
Twelfth Ave @ 30th St	1	0	0	0	N/A	N/A	0	0	0	N/A	N/A			0	N/A	N/A		
	2	9	11	0	4	B	9	11	0	4	B			0	4	B		
	3	10	13	0	4	B	10	13	0	4	B			0	4	B		
	4	10	13	2	4	B	10	13	2	4	B			2	4	B		
	5	12	15	4	4	B	12	15	4	4	B			4	4	B		
	6	0	0	0	N/A	N/A	0	0	0	N/A	N/A			0	N/A	N/A		
	7	0	0	0	N/A	N/A	0	0	0	N/A	N/A			0	N/A	N/A		
	8	0	0	0	N/A	N/A	0	0	0	N/A	N/A			0	N/A	N/A		
Twelfth Ave @ 34th St	1	0	0	0	N/A	N/A	0	0	0	N/A	N/A			0	N/A	N/A		
	2	9	12	0	4	B	9	12	3	4	B			3	4	B		
	3	15	18	13	4	B	15	18	14	4	B			14	4	B		
	4	15	18	47	4	B	15	18	52	4	B			52	4	B		
	5	9	12	0	4	B	9	12	0	4	B			0	4	B		
	6	0	0	0	N/A	N/A	0	0	0	N/A	N/A			0	N/A	N/A		
	7	0	0	0	N/A	N/A	0	0	0	N/A	N/A			0	N/A	N/A		
	8	0	0	0	N/A	N/A	0	0	0	N/A	N/A			0	N/A	N/A		
Twelfth Ave @ 39th St	1	0	0	0	N/A	N/A	0	0	0	N/A	N/A			0	N/A	N/A		
	2	10	13	0	4	B	10	13	0	4	B			0	4	B		
	3	10	13	0	4	B	0	0	0	N/A	N/A			0	N/A	N/A		
	4	10	13	27	4	B	0	0	0	N/A	N/A			0	N/A	N/A		
	5	15	18	3	4	B	15	18	6	4	B			6	4	B		
	6	0	0	0	N/A	N/A	0	0	0	N/A	N/A			0	N/A	N/A		
	7	0	0	0	N/A	N/A	0	0	0	N/A	N/A			0	N/A	N/A		
	8	0	0	0	N/A	N/A	0	0	0	N/A	N/A			0	N/A	N/A		
Twelfth Ave @ 40th St	1	0	0	0	N/A	N/A	0	0	0	N/A	N/A			0	N/A	N/A		
	2	10	13	0	4	B	10	13	1	4	B			1	4	B		
	3	9	11	0	4	B	0	0	1	N/A	N/A			0	N/A	N/A		
	4	9	12	0	4	B	0	0	0	N/A	N/A			0	N/A	N/A		
	5	11	14	0	4	B	11	14	0	4	B			0	4	B		
	6	0	0	0	N/A	N/A	0	0	0	N/A	N/A			0	N/A	N/A		
	7	0	0	0	N/A	N/A	0	0	0	N/A	N/A			0	N/A	N/A		
	8	0	0	0	N/A	N/A	0	0	0	N/A	N/A			0	N/A	N/A		
Twelfth Ave @ 42nd St	1	0	0	0	N/A	N/A	0	0	0	N/A	N/A			0	N/A	N/A		
	2	17	20	14	4	B	17	20	14	4	B			14	4	B		
	3	12	15	59	4	B	12	15	64	4	B			64	4	B		
	4	23	26	70	4	B	23	26	70	4	B			70	4	B		
	5	17	20	5	4	B	17	20	5	4	B			5	4	B		
	6	0	0	0	N/A	N/A	0	0	0	N/A	N/A			0	N/A	N/A		
	7	0	0	0	N/A	N/A	0	0	0	N/A	N/A			0	N/A	N/A		
	8	0	0	0	N/A	N/A	0	0	0	N/A	N/A			0	N/A	N/A		
Eleventh Ave @ 29th St	1	12	15	5	4	B	12	15	35	4	B			35	4	B		
	2	12	15	16	4	B	12	15	60	4	B			60	4	B		
	3	10	13	6	4	B	10	13	54	4	B			54	4	B		
	4	10	13	10	4	B	10	13	13	4	B			13	4	B		
	5	12	15	24	4	B	12	15	38	4	B			38	4	B		
	6	12	15	3	4	B	12	15	9	4	B			9	4	B		
	7	10	13	0	4	B	10	13	0	4	B			0	4	B		
	8	10	13	0	4	B	10	13	0	4	B			0	4	B		

## Appendix S.5.3

### Pedestrian Improvement Analysis - Sidewalk Level of Service

#### 2010 Future Conditions (AM)

Intersection	Walkway Location	2010 Future without the Proposed Action					2010 Future with the Proposed Action						2010 Future with the Proposed Action (Improvement)					
		Effective Walkway width	Actual walkway width	Sidewalk Volumes	Platoon Flow Rate (ped/min/ft)	Platoon Level of Service	Effective Walkway width	Actual walkway width	Sidewalk Volumes	Platoon Flow Rate (ped/min/ft)	Platoon Level of Service	Impact?	Proposed Effective Walkway width	Proposed Actual walkway width	Sidewalk Volumes	Platoon Flow Rate (ped/min/ft)	Platoon Level of Service	Still Impact?
<b>Eleventh Ave @ 30th St</b>	1	12	15	4	4	B	12	15	34	4	B			34	4	B		
	2	12	15	17	4	B	12	15	42	4	B			42	4	B		
	3	10	13	12	4	B	10	13	25	4	B			25	4	B		
	4	10	13	5	4	B	10	13	12	4	B			12	4	B		
	5	12	15	20	4	B	12	15	62	4	B			62	4	B		
	6	12	15	7	4	B	12	15	39	4	B			39	4	B		
	7	10	13	1	4	B	10	13	1	4	B			1	4	B		
	8	10	13	2	4	B	10	13	14	4	B			14	4	B		
<b>Eleventh Ave @ 33rd St</b>	1	12	15	9	4	B	12	15	63	4	B			63	4	B		
	2	12	15	24	4	B	12	15	60	4	B			60	4	B		
	3	10	13	14	4	B	10	13	40	4	B			40	4	B		
	4	10	13	2	4	B	10	13	28	4	B			28	4	B		
	5	12	15	12	4	B	12	15	37	4	B			37	4	B		
	6	12	15	6	4	B	12	15	25	4	B			25	4	B		
	7	10	13	5	4	B	0	0	0	N/A	N/A			0	N/A	N/A		
	8	10	13	1	4	B	0	0	0	N/A	N/A			0	N/A	N/A		
<b>Eleventh Ave @ 34th St</b>	1	13	15	5	4	B	13	15	95	4	B			95	4	B		
	2	9	12	16	4	B	14	17	108	5	B			108	5	B		
	3	17	20	34	4	B	26	30	105	4	B			105	4	B		
	4	17	20	22	4	B	17	20	114	4	B			114	4	B		
	5	12	15	35	4	B	12	15	75	4	B			75	4	B		
	6	12	15	0	4	B	12	15	66	4	B			66	4	B		
	7	17	20	52	4	B	17	20	57	4	B			57	4	B		
	8	17	20	25	4	B	17	20	26	4	B			26	4	B		
<b>Eleventh Ave @ 35th St</b>	1	16	19	7	4	B	16	19	26	4	B			26	4	B		
	2	14	15	15	4	B	14	15	315	6	B			315	6	B		
	3	12	14	0	4	B	12	14	5	4	B			5	4	B		
	4	12	14	2	4	B	17	19	27	4	B			27	4	B		
	5	8	11	10	4	B	13	16	338	6	B			338	6	B		
	6	12	15	7	4	B	12	15	96	5	B			96	5	B		
	7	0	0	0	N/A	N/A	0	0	0	N/A	N/A			0	N/A	N/A		
	8	0	0	0	N/A	N/A	0	0	0	N/A	N/A			0	N/A	N/A		
<b>Eleventh Ave @ 36th St</b>	1	12	15	6	4	B	12	15	26	4	B			26	4	B		
	2	7	9	10	4	B	7	9	52	4	B			52	4	B		
	3	10	13	0	4	B	10	13	4	4	B			4	4	B		
	4	8	10	5	4	B	8	10	9	4	B			9	4	B		
	5	12	15	9	4	B	12	15	924	9	C			924	9	C		
	6	13	17	9	4	B	13	17	27	4	B			27	4	B		
	7	0	0	0	N/A	N/A	0	0	0	N/A	N/A			0	N/A	N/A		
	8	0	0	0	N/A	N/A	0	0	0	N/A	N/A			0	N/A	N/A		
<b>Eleventh Ave @ 37th St</b>	1	12	15	1	4	B	12	15	26	4	B			26	4	B		
	2	7	10	8	4	B	7	10	25	4	B			25	4	B		
	3	9	12	0	4	B	9	12	29	4	B			29	4	B		
	4	9	12	1	4	B	9	12	5	4	B			5	4	B		
	5	7	10	8	4	B	7	10	51	4	B			51	4	B		
	6	12	15	0	4	B	12	15	21	4	B			21	4	B		
	7	0	0	0	N/A	N/A	0	0	0	N/A	N/A			0	N/A	N/A		
	8	0	0	0	N/A	N/A	0	0	0	N/A	N/A			0	N/A	N/A		

## Appendix S.5.3

### Pedestrian Improvement Analysis - Sidewalks Level of Service

#### 2010 Future Conditions (AM)

Intersection	Walkway Location	2010 Future without the Proposed Action					2010 Future with the Proposed Action						2010 Future with the Proposed Action (Improvement)					
		Effective Walkway width	Actual walkway width	Sidewalk Volumes	Platoon Flow Rate (ped/min/ft)	Platoon Level of Service	Effective Walkway width	Actual walkway width	Sidewalk Volumes	Platoon Flow Rate (ped/min/ft)	Platoon Level of Service	Impact?	Proposed Effective Walkway width	Proposed Actual walkway width	Sidewalk Volumes	Platoon Flow Rate (ped/min/ft)	Platoon Level of Service	Still Impact?
<b>Eleventh Ave @ 38th St</b>	1	12	15	3	4	B	12	15	33	4	B			33	4	B		
	2	7	10	0	4	B	7	10	4	4	B			4	4	B		
	3	8	11	4	4	B	8	11	21	4	B			21	4	B		
	4	8	11	1	4	B	8	11	5	4	B			5	4	B		
	5	7	10	7	4	B	7	10	23	4	B			23	4	B		
	6	12	15	0	4	B	12	15	25	4	B			25	4	B		
	7	0	0	0	N/A	N/A	0	0	0	N/A	N/A			0	N/A	N/A		
	8	0	0	0	N/A	N/A	0	0	0	N/A	N/A			0	N/A	N/A		
<b>Eleventh Ave @ 39th St</b>	1	11	14	80	4	B	11	14	113	5	B			113	5	B		
	2	7	10	3	4	B	7	10	7	4	B			7	4	B		
	3	9	12	0	4	B	9	12	4	4	B			4	4	B		
	4	8	11	31	4	B	8	11	34	4	B			34	4	B		
	5	7	10	8	4	B	7	10	12	4	B			12	4	B		
	6	12	15	41	4	B	12	15	71	4	B			71	4	B		
	7	10	13	27	4	B	0	0	0	N/A	N/A			0	N/A	N/A		
	8	12	15	1	4	B	0	0	0	N/A	N/A			0	N/A	N/A		
<b>Eleventh Ave @ 40th St</b>	1	12	15	28	4	B	12	15	69	4	B			69	4	B		
	2	7	10	5	4	B	7	10	8	4	B			8	4	B		
	3	10	13	3	4	B	10	13	16	4	B			16	4	B		
	4	10	13	1	4	B	10	13	1	4	B			1	4	B		
	5	7	10	0	4	B	7	10	3	4	B			3	4	B		
	6	12	15	15	4	B	12	15	48	4	B			48	4	B		
	7	10	13	1	4	B	0	0	0	N/A	N/A			0	N/A	N/A		
	8	10	13	11	4	B	0	0	0	N/A	N/A			0	N/A	N/A		
<b>Eleventh Ave @ 42nd St</b>	1	13	16	44	4	B	13	16	60	4	B			60	4	B		
	2	13	16	27	4	B	13	16	37	4	B			37	4	B		
	3	12	15	111	5	B	12	15	167	5	B			167	5	B		
	4	12	15	96	5	B	12	15	146	5	B			146	5	B		
	5	12	16	9	4	B	12	16	9	4	B			9	4	B		
	6	12	15	71	4	B	12	15	72	4	B			72	4	B		
	7	12	16	68	4	B	12	16	68	4	B			68	4	B		
	8	12	16	67	4	B	12	16	129	5	B			129	5	B		
<b>Tenth Ave @ 29th St</b>	1	12	15	39	4	B	12	15	47	4	B			47	4	B		
	2	12	15	20	4	B	12	15	24	4	B			24	4	B		
	3	10	13	24	4	B	10	13	21	4	B			21	4	B		
	4	10	13	22	4	B	10	13	25	4	B			25	4	B		
	5	12	15	20	4	B	12	15	17	4	B			17	4	B		
	6	12	15	58	4	B	12	15	69	4	B			69	4	B		
	7	10	13	26	4	B	10	13	27	4	B			27	4	B		
	8	10	13	17	4	B	10	13	17	4	B			17	4	B		
<b>Tenth Ave @ 30th St</b>	1	13	16	30	4	B	13	16	41	4	B			41	4	B		
	2	12	15	24	4	B	12	15	32	4	B			32	4	B		
	3	10	13	18	4	B	10	13	25	4	B			25	4	B		
	4	12	15	20	4	B	12	15	24	4	B			24	4	B		
	5	12	15	31	4	B	12	15	32	4	B			32	4	B		
	6	12	15	42	4	B	12	15	57	4	B			57	4	B		
	7	11	14	16	4	B	11	14	20	4	B			20	4	B		
	8	11	14	15	4	B	11	14	34	4	B			34	4	B		



## Appendix S.5.3

### Pedestrian Improvement Analysis - Sidewalks Level of Service

#### 2010 Future Conditions (AM)

Intersection	Walkway Location	2010 Future without the Proposed Action					2010 Future with the Proposed Action						2010 Future with the Proposed Action (Improvement)					
		Effective Walkway width	Actual walkway width	Sidewalk Volumes	Platoon Flow Rate (ped/min/ft)	Platoon Level of Service	Effective Walkway width	Actual walkway width	Sidewalk Volumes	Platoon Flow Rate (ped/min/ft)	Platoon Level of Service	Impact?	Proposed Effective Walkway width	Proposed Actual walkway width	Sidewalk Volumes	Platoon Flow Rate (ped/min/ft)	Platoon Level of Service	Still Impact?
<b>Tenth Ave @ 31st St</b>	1	12	15	25	4	B	12	15	39	4	B				39	4	B	
	2	12	15	39	4	B	12	15	56	4	B				56	4	B	
	3	11	13	26	4	B	11	13	41	4	B				41	4	B	
	4	11	13	11	4	B	11	13	18	4	B				18	4	B	
	5	12	15	38	4	B	12	15	42	4	B				42	4	B	
	6	12	15	29	4	B	12	15	44	4	B				44	4	B	
	7	0	0	0	N/A	N/A	0	0	0	N/A	N/A				0	N/A	N/A	
	8	0	0	0	N/A	N/A	0	0	0	N/A	N/A				0	N/A	N/A	
<b>Tenth Ave @ 33rd St</b>	1	12	15	57	4	B	12	15	77	4	B				77	4	B	
	2	12	15	40	4	B	12	15	58	4	B				58	4	B	
	3	10	13	40	4	B	10	13	111	5	B				111	5	B	
	4	10	13	48	4	B	10	13	130	5	B				130	5	B	
	5	12	15	25	4	B	12	15	40	4	B				40	4	B	
	6	12	15	28	4	B	12	15	64	4	B				64	4	B	
	7	10	13	38	4	B	10	13	104	5	B				104	5	B	
	8	10	13	28	4	B	10	13	104	5	B				104	5	B	
<b>Tenth Ave @ 34th St</b>	1	12	15	30	4	B	12	15	57	4	B				57	4	B	
	2	12	15	33	4	B	12	15	41	4	B				41	4	B	
	3	17	20	101	4	B	17	20	204	5	B				204	5	B	
	4	17	20	154	5	B	17	20	260	5	B				260	5	B	
	5	12	15	54	4	B	12	15	70	4	B				70	4	B	
	6	12	15	27	4	B	12	15	49	4	B				49	4	B	
	7	17	20	90	4	B	17	20	220	5	B				220	5	B	
	8	17	20	117	4	B	17	20	263	5	B				263	5	B	
<b>Tenth Ave @ 35th St</b>	1	13	16	15	4	B	13	16	45	4	B				45	4	B	
	2	13	15	8	4	B	13	15	18	4	B				18	4	B	
	3	12	15	46	4	B	12	15	142	5	B				142	5	B	
	4	7	9	23	4	B	7	9	153	5	B				153	5	B	
	5	13	15	3	4	B	13	15	12	4	B				12	4	B	
	6	11	15	25	4	B	11	15	52	4	B				52	4	B	
	7	10	13	29	4	B	10	13	194	5	B				194	5	B	
	8	12	14	33	4	B	12	14	111	5	B				111	5	B	
<b>Tenth Ave @ 36th St</b>	1	12	15	10	4	B	12	15	35	4	B				35	4	B	
	2	10	16	13	4	B	10	16	19	4	B				19	4	B	
	3	9	12	15	4	B	9	12	20	4	B				20	4	B	
	4	9	12	18	4	B	9	12	23	4	B				23	4	B	
	5	12	15	16	4	B	12	15	27	4	B				27	4	B	
	6	12	15	11	4	B	12	15	40	4	B				40	4	B	
	7	9	12	12	4	B	9	12	16	4	B				16	4	B	
	8	10	12	15	4	B	10	12	19	4	B				19	4	B	
<b>Tenth Ave @ 37th St</b>	1	5	15	11	4	B	5	15	21	4	B				21	4	B	
	2	5	15	29	4	B	5	15	47	5	B				47	5	B	
	3	9	12	23	4	B	9	12	31	4	B				31	4	B	
	4	9	12	33	4	B	9	12	41	4	B				41	4	B	
	5	12	15	20	4	B	12	15	26	4	B				26	4	B	
	6	12	15	7	4	B	12	15	30	4	B				30	4	B	
	7	9	12	16	4	B	9	12	20	4	B				20	4	B	
	8	9	12	15	4	B	9	12	19	4	B				19	4	B	

## Appendix S.5.3

### Pedestrian Improvement Analysis - Sidewalk Level of Service

#### 2010 Future Conditions (AM)

Intersection	Walkway Location	2010 Future without the Proposed Action					2010 Future with the Proposed Action						2010 Future with the Proposed Action (Improvement)					
		Effective Walkway width	Actual walkway width	Sidewalk Volumes	Platoon Flow Rate (ped/min/ft)	Platoon Level of Service	Effective Walkway width	Actual walkway width	Sidewalk Volumes	Platoon Flow Rate (ped/min/ft)	Platoon Level of Service	Impact?	Proposed Effective Walkway width	Proposed Actual walkway width	Sidewalk Volumes	Platoon Flow Rate (ped/min/ft)	Platoon Level of Service	Still Impact?
<b>Tenth Ave @ 38th St</b>	1	12	15	20	4	B	12	15	27	4	B			27	4	B		
	2	12	15	20	4	B	12	15	29	4	B			29	4	B		
	3	9	12	15	4	B	9	12	21	4	B			21	4	B		
	4	9	12	4	4	B	9	12	10	4	B			10	4	B		
	5	12	15	11	4	B	12	15	16	4	B			16	4	B		
	6	12	15	15	4	B	12	15	26	4	B			26	4	B		
	7	9	12	5	4	B	9	12	8	4	B			8	4	B		
	8	9	12	13	4	B	9	12	16	4	B			16	4	B		
<b>Tenth Ave @ 39th St</b>	1	12	15	11	4	B	12	15	14	4	B			14	4	B		
	2	12	15	18	4	B	12	15	29	4	B			29	4	B		
	3	9	12	15	4	B	9	12	21	4	B			21	4	B		
	4	9	12	23	4	B	9	12	30	4	B			30	4	B		
	5	12	15	26	4	B	12	15	34	4	B			34	4	B		
	6	12	15	13	4	B	12	15	20	4	B			20	4	B		
	7	10	13	15	4	B	10	13	18	4	B			18	4	B		
	8	7	10	15	4	B	7	10	18	4	B			18	4	B		
<b>Tenth Ave @ 40th St</b>	1	12	15	7	4	B	12	15	11	4	B			11	4	B		
	2	12	15	39	4	B	12	15	61	4	B			61	4	B		
	3	9	12	13	4	B	9	12	28	4	B			28	4	B		
	4	9	12	9	4	B	9	12	17	4	B			17	4	B		
	5	12	15	36	4	B	12	15	46	4	B			46	4	B		
	6	12	15	9	4	B	12	15	12	4	B			12	4	B		
	7	10	13	6	4	B	10	13	6	4	B			6	4	B		
	8	10	13	8	4	B	10	13	23	4	B			23	4	B		
<b>Tenth Ave @ 41st St</b>	1	12	15	43	4	B	12	15	44	4	B			44	4	B		
	2	14	16	61	4	B	14	16	112	5	B			112	5	B		
	3	8	10	51	4	B	8	10	70	5	B			70	5	B		
	4	12	14	6	4	B	12	14	19	4	B			19	4	B		
	5	13	16	28	4	B	13	16	50	4	B			50	4	B		
	6	8	10	18	4	B	8	10	23	4	B			23	4	B		
	7	13	17	0	4	B	13	17	8	4	B			8	4	B		
	8	9	12	46	4	B	9	12	65	4	B			65	4	B		
<b>Tenth Ave @ 42nd St</b>	1	17	20	24	4	B	17	20	27	4	B			27	4	B		
	2	17	22	65	4	B	17	22	77	4	B			77	4	B		
	3	18	21	242	5	B	18	21	377	5	B			377	5	B		
	4	12	20	162	5	B	12	20	467	7	B			467	7	B		
	5	8	16	52	4	B	8	16	69	5	B			69	5	B		
	6	13	16	56	4	B	13	16	56	4	B			56	4	B		
	7	13	15	92	4	B	13	15	143	5	B			143	5	B		
	8	13	15	202	5	B	13	15	256	5	B			256	5	B		
<b>Dyer @ 42nd St</b>	1	0	0	0	N/A	N/A	0	0	0	N/A	N/A			0	N/A	N/A		
	2	0	0	0	N/A	N/A	0	0	0	N/A	N/A			0	N/A	N/A		
	3	19	21	170	5	B	19	21	170	5	B			170	5	B		
	4	18	20	84	4	B	18	20	102	4	B			102	4	B		
	5	6	6	8	4	B	6	6	8	4	B			8	4	B		
	6	2	4	1	4	B	2	4	1	4	B			1	4	B		
	7	18	20	73	4	B	18	20	91	4	B			91	4	B		
	8	19	21	151	5	B	19	21	151	5	B			151	5	B		

## Appendix S.5.3

### Pedestrian Improvement Analysis - Sidewalks Level of Service

#### 2010 Future Conditions (AM)

Intersection	Walkway Location	2010 Future without the Proposed Action					2010 Future with the Proposed Action						2010 Future with the Proposed Action (Improvement)					
		Effective Walkway width	Actual walkway width	Sidewalk Volumes	Platoon Flow Rate (ped/min/ft)	Platoon Level of Service	Effective Walkway width	Actual walkway width	Sidewalk Volumes	Platoon Flow Rate (ped/min/ft)	Platoon Level of Service	Impact?	Proposed Effective Walkway width	Proposed Actual walkway width	Sidewalk Volumes	Platoon Flow Rate (ped/min/ft)	Platoon Level of Service	Still Impact?
<b>Ninth Ave @ 30th St</b>	1	14	16	234	5	B	14	16	234	5	B			234	5	B		
	2	8	15	193	6	B	8	15	194	6	B			194	6	B		
	3	6	13	52	5	B	6	13	56	5	B			56	5	B		
	4	10	13	70	4	B	10	13	74	4	B			74	4	B		
	5	13	16	97	4	B	13	16	97	4	B			97	4	B		
	6	13	16	114	5	B	13	16	114	5	B			114	5	B		
	7	11	14	282	6	B	11	14	284	6	B			284	6	B		
	8	10	12	32	4	B	10	12	38	4	B			38	4	B		
<b>Ninth Ave @ 31st St</b>	1	12	15	122	5	B	12	15	134	5	B			134	5	B		
	2	10	13	90	5	B	10	13	93	5	B			93	5	B		
	3	10	13	147	5	B	10	13	262	6	B			262	6	B		
	4	10	13	218	5	B	10	13	225	6	B			225	6	B		
	5	12	15	194	5	B	12	15	196	5	B			196	5	B		
	6	12	15	56	4	B	12	15	59	4	B			59	4	B		
	7	10	13	83	5	B	10	13	89	5	B			89	5	B		
	8	10	13	58	4	B	10	13	68	4	B			68	4	B		
<b>Ninth Ave @ 33rd St</b>	1	12	15	190	5	B	12	15	213	5	B			213	5	B		
	2	12	15	165	5	B	12	15	170	5	B			170	5	B		
	3	10	13	148	5	B	10	13	276	6	B			276	6	B		
	4	10	13	494	7	B	10	13	606	8	C			606	8	C		
	5	12	15	59	4	B	12	15	64	4	B			64	4	B		
	6	12	15	99	5	B	12	15	101	5	B			101	5	B		
	7	10	13	384	7	B	10	13	597	8	C			597	8	C		
	8	10	13	113	5	B	10	13	183	5	B			183	5	B		
<b>Ninth Ave @ 34th St</b>	1	11	15	143	5	B	11	15	157	5	B			157	5	B		
	2	12	15	170	5	B	12	15	173	5	B			173	5	B		
	3	19	23	237	5	B	19	23	334	5	B			334	5	B		
	4	19	23	225	5	B	19	23	320	5	B			320	5	B		
	5	12	15	142	5	B	12	15	162	5	B			162	5	B		
	6	12	15	156	5	B	12	15	163	5	B			163	5	B		
	7	16	20	205	5	B	16	20	310	5	B			310	5	B		
	8	15	20	145	5	B	15	20	244	5	B			244	5	B		
<b>Ninth Ave @ 37th St</b>	1	12	15	280	6	B	12	15	285	6	B			285	6	B		
	2	12	15	170	5	B	12	15	171	5	B			171	5	B		
	3	9	12	91	5	B	9	12	97	5	B			97	5	B		
	4	9	12	49	4	B	9	12	55	4	B			55	4	B		
	5	10	15	190	5	B	10	15	197	5	B			197	5	B		
	6	12	15	257	5	B	12	15	261	5	B			261	5	B		
	7	6	12	27	4	B	6	12	34	4	B			34	4	B		
	8	9	12	31	4	B	9	12	37	4	B			37	4	B		
<b>Ninth Ave @ 38th St</b>	1	10	15	65	4	B	10	15	63	4	B			63	4	B		
	2	8	15	115	5	B	8	15	120	5	B			120	5	B		
	3	8	11	25	4	B	8	11	40	4	B			40	4	B		
	4	8	11	35	4	B	8	11	46	4	B			46	4	B		
	5	10	15	149	5	B	10	15	154	5	B			154	5	B		
	6	12	15	42	4	B	12	15	61	4	B			61	4	B		
	7	8	11	18	4	B	8	11	23	4	B			23	4	B		
	8	8	11	8	4	B	8	11	12	4	B			12	4	B		

## Appendix S.5.3

### Pedestrian Improvement Analysis - Sidewalks Level of Service

#### 2010 Future Conditions (AM)

Intersection	Walkway Location	2010 Future without the Proposed Action					2010 Future with the Proposed Action						2010 Future with the Proposed Action (Improvement)					
		Effective Walkway width	Actual walkway width	Sidewalk Volumes	Platoon Flow Rate (ped/min/ft)	Platoon Level of Service	Effective Walkway width	Actual walkway width	Sidewalk Volumes	Platoon Flow Rate (ped/min/ft)	Platoon Level of Service	Impact?	Proposed Effective Walkway width	Proposed Actual walkway width	Sidewalk Volumes	Platoon Flow Rate (ped/min/ft)	Platoon Level of Service	Still Impact?
<b>Ninth Ave @ 39th St</b>	1	8	15	83	5	B	8	15	84	5	B			84	5	B		
	2	11	15	193	5	B	11	15	199	5	B			199	5	B		
	3	9	12	45	4	B	9	12	47	4	B			47	4	B		
	4	9	12	55	4	B	9	12	66	4	B			66	4	B		
	5	10	15	152	5	B	10	15	158	5	B			158	5	B		
	6	12	15	92	5	B	12	15	83	4	B			83	4	B		
	7	9	12	25	4	B	9	12	30	4	B			30	4	B		
	8	9	12	41	4	B	9	12	46	4	B			46	4	B		
<b>Ninth Ave @ 42nd St</b>	1	13	16	178	5	B	13	16	187	5	B			187	5	B		
	2	8	10	203	6	B	8	10	205	6	B			205	6	B		
	3	8	11	314	7	B	8	11	448	8	C			448	8	C		
	4	12	19	333	6	B	12	19	558	7	B			558	7	B		
	5	8	14	273	6	B	8	14	276	6	B			276	6	B		
	6	8	15	79	5	B	8	15	78	5	B			78	5	B		
	7	13	20	200	5	B	13	20	540	7	B			540	7	B		
	8	18	21	246	5	B	18	21	378	5	B			378	5	B		
<b>Eighth Ave @ 30th St</b>	1	11	14	184	5	B	11	14	184	5	B			184	5	B		
	2	11	15	353	6	B	11	15	355	6	B			355	6	B		
	3	9	13	46	4	B	9	13	50	4	B			50	4	B		
	4	11	14	70	4	B	11	14	75	4	B			75	4	B		
	5	12	15	167	5	B	12	15	168	5	B			168	5	B		
	6	11	14	156	5	B	11	14	157	5	B			157	5	B		
	7	10	14	41	4	B	10	14	44	4	B			44	4	B		
	8	10	13	71	4	B	10	13	77	5	B			77	5	B		
<b>Eighth Ave @ 31st St</b>	1	12	16	189	5	B	12	16	189	5	B			189	5	B		
	2	18	24	134	4	B	18	24	135	5	B			135	5	B		
	3	35	49	332	5	B	35	49	432	5	B			432	5	B		
	4	10	14	37	4	B	10	14	41	4	B			41	4	B		
	5	12	15	132	5	B	12	15	134	5	B			134	5	B		
	6	12	15	104	5	B	12	15	105	5	B			105	5	B		
	7	10	13	124	5	B	10	13	130	5	B			130	5	B		
	8	21	24	241	5	B	21	24	249	5	B			249	5	B		
<b>Eighth Ave @ 33rd St</b>	1	12	15	736	8	C	12	15	765	8	C			765	8	C		
	2	12	19	313	6	B	12	19	320	6	B			320	6	B		
	3	10	17	428	7	B	10	17	479	7	B			479	7	B		
	4	30	43	483	5	B	30	43	488	5	B			488	5	B		
	5	30	43	352	5	B	30	43	373	5	B			373	5	B		
	6	12	16	329	6	B	12	16	330	6	B			330	6	B		
	7	13	24	461	6	B	13	24	689	8	C			689	8	C		
	8	7	14	432	8	C	7	14	460	8	C			460	8	C		
<b>Eighth Ave @ 34th St</b>	1	11	15	218	5	B	11	15	243	5	B			243	5	B		
	2	11	15	233	5	B	11	15	239	5	B			239	5	B		
	3	19	22	270	5	B	19	22	331	5	B			331	5	B		
	4	19	22	215	5	B	19	22	261	5	B			261	5	B		
	5	12	15	209	5	B	12	15	254	5	B			254	5	B		
	6	11	15	369	6	B	11	15	373	6	B			373	6	B		
	7	12	22	172	5	B	12	22	285	6	B			285	6	B		
	8	18	22	305	5	B	18	22	397	5	B			397	5	B		

## Appendix S.5.3

### Pedestrian Improvement Analysis - Sidewalks Level of Service

#### 2010 Future Conditions (AM)

Intersection	Walkway Location	2010 Future without the Proposed Action					2010 Future with the Proposed Action						2010 Future with the Proposed Action (Improvement)					
		Effective Walkway width	Actual walkway width	Sidewalk Volumes	Platoon Flow Rate (ped/min/ft)	Platoon Level of Service	Effective Walkway width	Actual walkway width	Sidewalk Volumes	Platoon Flow Rate (ped/min/ft)	Platoon Level of Service	Impact?	Proposed Effective Walkway width	Proposed Actual walkway width	Sidewalk Volumes	Platoon Flow Rate (ped/min/ft)	Platoon Level of Service	Still Impact?
<b>Eighth Ave @ 37th St</b>	1	8	15	435	8	C	8	15	443	8	C				443	8	C	
	2	12	15	422	6	B	12	15	423	6	B				423	6	B	
	3	9	12	136	5	B	9	12	140	5	B				140	5	B	
	4	6	12	78	5	B	6	12	83	5	B				83	5	B	
	5	9	15	345	7	B	9	15	348	7	B				348	7	B	
	6	9	15	406	7	B	9	15	408	7	B				408	7	B	
	7	5	12	72	5	B	5	12	78	5	B				78	5	B	
	8	10	13	60	4	B	10	13	65	4	B				65	4	B	
<b>Eighth Ave @ 38th St</b>	1	8	15	238	6	B	8	15	250	6	B				250	6	B	
	2	10	15	307	6	B	10	15	313	6	B				313	6	B	
	3	5	12	146	6	B	5	12	156	6	B				156	6	B	
	4	9	12	62	4	B	9	12	68	5	B				68	5	B	
	5	8	15	165	5	B	8	15	167	5	B				167	5	B	
	6	10	15	277	6	B	10	15	279	6	B				279	6	B	
	7	8	11	45	4	B	8	11	55	4	B				55	4	B	
	8	8	11	85	5	B	8	11	99	5	B				99	5	B	
<b>Eighth Ave @ 39th St</b>	1	12	15	593	7	B	12	15	604	7	B				604	7	B	
	2	11	15	1349	12	D	11	15	1356	12	D				1356	12	D	
	3	8	12	284	6	B	8	12	290	6	B				290	6	B	
	4	9	12	176	5	B	9	12	183	5	B				183	5	B	
	5	12	15	557	7	B	12	15	564	7	B				564	7	B	
	6	12	15	736	8	C	12	15	742	8	C				742	8	C	
	7	9	12	144	5	B	9	12	153	5	B				153	5	B	
	8	9	12	124	5	B	9	12	126	5	B				126	5	B	
<b>Eighth Ave @ 42nd St</b>	1	7	15	764	11	D	7	15	766	11	D				766	11	D	
	2	16	16	597	6	B	16	16	599	6	B				599	6	B	
	3	15	23	393	6	B	15	23	474	6	B				474	6	B	
	4	14	16	1288	10	C	14	16	1405	11	D				1405	11	D	
	5	7	12	690	11	D	7	12	691	11	D				691	11	D	
	6	12	29	836	9	C	12	29	837	9	C				837	9	C	
	7	12	34	447	6	B	12	34	655	8	C				655	8	C	
	8	12	20	687	8	C	12	20	817	9	C				817	9	C	
<b>Seventh Ave @ 31st St</b>	1	19	23	565	6	B	19	23	565	6	B				565	6	B	
	2	19	23	883	7	B	19	23	884	7	B				884	7	B	
	3	10	13	526	8	C	10	13	584	8	C				584	8	C	
	4	10	13	282	6	B	10	13	285	6	B				285	6	B	
	5	17	20	443	6	B	17	20	444	6	B				444	6	B	
	6	16	20	800	7	B	16	20	800	7	B				800	7	B	
	7	10	13	162	5	B	10	13	166	5	B				166	5	B	
	8	15	18	246	5	B	15	18	251	5	B				251	5	B	
<b>Seventh Ave @ 33rd St</b>	1	16	20	581	6	B	16	20	584	6	B				584	6	B	
	2	15	20	695	7	B	15	20	695	7	B				695	7	B	
	3	7	13	417	8	C	7	13	471	8	C				471	8	C	
	4	10	13	563	8	C	10	13	569	8	C				569	8	C	
	5	15	20	593	7	B	15	20	593	7	B				593	7	B	
	6	37	40	748	5	B	37	40	748	5	B				748	5	B	
	7	37	40	534	5	B	37	40	650	5	B				650	5	B	
	8	9	15	408	7	B	9	15	423	7	B				423	7	B	

### Appendix S.5.3

#### Pedestrian Improvement Analysis - Sidewalks Level of Service

##### 2010 Future Conditions (AM)

Intersection	Walkway Location	2010 Future without the Proposed Action					2010 Future with the Proposed Action						2010 Future with the Proposed Action (Improvement)					
		Effective Walkway width	Actual walkway width	Sidewalk Volumes	Platoon Flow Rate (ped/min/ft)	Platoon Level of Service	Effective Walkway width	Actual walkway width	Sidewalk Volumes	Platoon Flow Rate (ped/min/ft)	Platoon Level of Service	Impact?	Proposed Effective Walkway width	Proposed Actual walkway width	Sidewalk Volumes	Platoon Flow Rate (ped/min/ft)	Platoon Level of Service	Still Impact?
<b>Seventh Ave @ 34th St</b>	1	17	20	567	6	B	17	20	572	6	B			572	6	B		
	2	17	20	637	6	B	17	20	640	7	B			640	7	B		
	3	20	23	343	5	B	20	23	366	5	B			366	5	B		
	4	20	23	791	7	B	20	23	806	7	B			806	7	B		
	5	17	20	394	6	B	17	20	395	6	B			395	6	B		
	6	17	20	367	5	B	17	20	369	5	B			369	5	B		
	7	20	23	1102	8	C	20	23	1172	8	C			1172	8	C		
	8	20	23	254	5	B	20	23	283	5	B			283	5	B		
<b>Sixth Ave @ 33rd St</b>	1	26	34	356	5	B	26	34	356	5	B			356	5	B		
	2	25	28	400	5	B	25	28	400	5	B			400	5	B		
	3	10	13	268	6	B	10	13	272	6	B			272	6	B		
	4	10	13	386	7	B	10	13	390	7	B			390	7	B		
	5	24	27	322	5	B	24	27	329	5	B			329	5	B		
	6	17	24	636	6	B	17	24	637	6	B			637	6	B		
	7	10	13	485	7	B	10	13	545	8	C			545	8	C		
	8	10	13	267	6	B	10	13	271	6	B			271	6	B		
<b>Sixth Ave @ 34th St</b>	1	0	0	0	N/A	N/A	0	0	0	N/A	N/A			0	N/A	N/A		
	2	10	17	839	10	C	10	17	839	10	C			839	10	C		
	3	20	23	491	6	B	20	23	505	6	B			505	6	B		
	4	18	23	501	6	B	18	23	515	6	B			515	6	B		
	5	14	17	730	7	B	14	17	730	7	B			730	7	B		
	6	0	0	0	N/A	N/A	0	0	0	N/A	N/A			0	N/A	N/A		
	7	0	0	0	N/A	N/A	0	0	0	N/A	N/A			0	N/A	N/A		
	8	0	0	0	N/A	N/A	0	0	0	N/A	N/A			0	N/A	N/A		
<b>Broadway @ 34th St</b>	1	25	30	889	6	B	25	30	889	6	B			889	6	B		
	2	0	0	0	N/A	N/A	0	0	0	N/A	N/A			0	N/A	N/A		
	3	0	0	0	N/A	N/A	0	0	0	N/A	N/A			0	N/A	N/A		
	4	0	0	0	N/A	N/A	0	0	0	N/A	N/A			0	N/A	N/A		
	5	0	0	0	N/A	N/A	0	0	0	N/A	N/A			0	N/A	N/A		
	6	25	30	884	6	B	25	30	884	6	B			884	6	B		
	7	18	23	682	7	B	18	23	703	7	B			703	7	B		
	8	18	23	544	6	B	18	23	560	6	B			560	6	B		
<b>Blvd @ 33rd St</b>	1	0	0	0	N/A	N/A	10	10	111	5	B			111	5	B		
	2	0	0	0	N/A	N/A	10	13	44	4	B			44	4	B		
	3	0	0	0	N/A	N/A	10	13	92	5	B			92	5	B		
	4	0	0	0	N/A	N/A	10	13	79	5	B			79	5	B		
	5	0	0	0	N/A	N/A	0	0	0	N/A	N/A			0	N/A	N/A		
	6	0	0	0	N/A	N/A	0	0	0	N/A	N/A			0	N/A	N/A		
	7	0	0	0	N/A	N/A	10	13	26	4	B			26	4	B		
	8	0	0	0	N/A	N/A	10	13	39	4	B			39	4	B		
<b>Blvd @ 34th St</b>	1	0	0	0	N/A	N/A	15	18	341	6	B			341	6	B		
	2	0	0	0	N/A	N/A	10	13	6	4	B			6	4	B		
	3	0	0	0	N/A	N/A	17	20	184	5	B			184	5	B		
	4	0	0	0	N/A	N/A	17	20	150	5	B			150	5	B		
	5	0	0	0	N/A	N/A	10	13	45	4	B			45	4	B		
	6	0	0	0	N/A	N/A	10	13	70	4	B			70	4	B		
	7	0	0	0	N/A	N/A	17	20	111	4	B			111	4	B		
	8	0	0	0	N/A	N/A	26	30	369	5	B			369	5	B		

## Appendix S.5.3

### Pedestrian Improvement Analysis - Sidewalks Level of Service

#### 2010 Future Conditions (MD)

Intersection	Walkway Location	2010 Future without the Proposed Action					2010 Future with the Proposed Action						2010 Future with the Proposed Action (Improvement)					
		Effective Walkway width	Actual walkway width	Sidewalk Volumes	Platoon Flow Rate (ped/min/ft)	Platoon Level of Service	Effective Walkway width	Actual walkway width	Sidewalk Volumes	Platoon Flow Rate (ped/min/ft)	Platoon Level of Service	Impact?	Proposed Effective Walkway width	Proposed Actual walkway width	Sidewalk Volumes	Platoon Flow Rate (ped/min/ft)	Platoon Level of Service	Still Impact?
Twelfth Ave @ 30th St	1	0	0	0	N/A	N/A	0	0	0	N/A	N/A			0	N/A	N/A		
	2	9	11	2	4	B	9	11	2	4	B			2	4	B		
	3	10	13	0	4	B	10	13	0	4	B			0	4	B		
	4	10	13	1	4	B	10	13	1	4	B			1	4	B		
	5	12	15	2	4	B	12	15	2	4	B			2	4	B		
	6	0	0	0	N/A	N/A	0	0	0	N/A	N/A			0	N/A	N/A		
	7	0	0	0	N/A	N/A	0	0	0	N/A	N/A			0	N/A	N/A		
	8	0	0	0	N/A	N/A	0	0	0	N/A	N/A			0	N/A	N/A		
Twelfth Ave @ 34th St	1	0	0	0	N/A	N/A	0	0	0	N/A	N/A			0	N/A	N/A		
	2	9	12	3	4	B	9	12	7	4	B			7	4	B		
	3	15	18	26	4	B	15	18	28	4	B			28	4	B		
	4	15	18	104	4	B	15	18	110	4	B			110	4	B		
	5	9	12	2	4	B	9	12	2	4	B			2	4	B		
	6	0	0	0	N/A	N/A	0	0	0	N/A	N/A			0	N/A	N/A		
	7	0	0	0	N/A	N/A	0	0	0	N/A	N/A			0	N/A	N/A		
	8	0	0	0	N/A	N/A	0	0	0	N/A	N/A			0	N/A	N/A		
Twelfth Ave @ 39th St	1	0	0	0	N/A	N/A	0	0	0	N/A	N/A			0	N/A	N/A		
	2	10	13	11	4	B	10	13	11	4	B			11	4	B		
	3	10	13	0	4	B	0	0	0	N/A	N/A			0	N/A	N/A		
	4	10	13	83	5	B	0	0	0	N/A	N/A			0	N/A	N/A		
	5	15	18	13	4	B	15	18	17	4	B			17	4	B		
	6	0	0	0	N/A	N/A	0	0	0	N/A	N/A			0	N/A	N/A		
	7	0	0	0	N/A	N/A	0	0	0	N/A	N/A			0	N/A	N/A		
	8	0	0	0	N/A	N/A	0	0	0	N/A	N/A			0	N/A	N/A		
Twelfth Ave @ 40th St	1	0	0	0	N/A	N/A	0	0	0	N/A	N/A			0	N/A	N/A		
	2	10	13	3	4	B	10	13	3	4	B			3	4	B		
	3	9	11	2	4	B	0	0	2	N/A	N/A			0	N/A	N/A		
	4	9	12	1	4	B	0	0	1	N/A	N/A			0	N/A	N/A		
	5	11	14	2	4	B	11	14	2	4	B			2	4	B		
	6	0	0	0	N/A	N/A	0	0	0	N/A	N/A			0	N/A	N/A		
	7	0	0	0	N/A	N/A	0	0	0	N/A	N/A			0	N/A	N/A		
	8	0	0	0	N/A	N/A	0	0	0	N/A	N/A			0	N/A	N/A		
Twelfth Ave @ 42nd St	1	0	0	0	N/A	N/A	0	0	0	N/A	N/A			0	N/A	N/A		
	2	17	20	24	4	B	17	20	28	4	B			28	4	B		
	3	12	15	123	5	B	12	15	133	5	B			133	5	B		
	4	23	26	107	4	B	23	26	107	4	B			107	4	B		
	5	17	20	8	4	B	17	20	8	4	B			8	4	B		
	6	0	0	0	N/A	N/A	0	0	0	N/A	N/A			0	N/A	N/A		
	7	0	0	0	N/A	N/A	0	0	0	N/A	N/A			0	N/A	N/A		
	8	0	0	0	N/A	N/A	0	0	0	N/A	N/A			0	N/A	N/A		
Eleventh Ave @ 29th St	1	12	15	32	4	B	12	15	71	4	B			71	4	B		
	2	12	15	86	4	B	12	15	147	5	B			147	5	B		
	3	10	13	14	4	B	10	13	53	4	B			53	4	B		
	4	10	13	13	4	B	10	13	22	4	B			22	4	B		
	5	12	15	87	4	B	12	15	117	5	B			117	5	B		
	6	12	15	34	4	B	12	15	57	4	B			57	4	B		
	7	10	13	0	4	B	10	13	0	4	B			0	4	B		
	8	10	13	3	4	B	10	13	3	4	B			3	4	B		

## Appendix S.5.3

### Pedestrian Improvement Analysis - Sidewalks Level of Service

#### 2010 Future Conditions (MD)

Intersection	Walkway Location	2010 Future without the Proposed Action					2010 Future with the Proposed Action						2010 Future with the Proposed Action (Improvement)					
		Effective Walkway width	Actual walkway width	Sidewalk Volumes	Platoon Flow Rate (ped/min/ft)	Platoon Level of Service	Effective Walkway width	Actual walkway width	Sidewalk Volumes	Platoon Flow Rate (ped/min/ft)	Platoon Level of Service	Impact?	Proposed Effective Walkway width	Proposed Actual walkway width	Sidewalk Volumes	Platoon Flow Rate (ped/min/ft)	Platoon Level of Service	Still Impact?
<b>Eleventh Ave @ 30th St</b>	1	12	15	25	4	B	12	15	76	4	B				76	4	B	
	2	12	15	72	4	B	12	15	152	5	B				152	5	B	
	3	10	13	133	5	B	10	13	157	5	B				157	5	B	
	4	10	13	8	4	B	10	13	27	4	B				27	4	B	
	5	12	15	111	5	B	12	15	186	5	B				186	5	B	
	6	12	15	48	4	B	12	15	100	5	B				100	5	B	
	7	10	13	5	4	B	10	13	5	4	B				5	4	B	
	8	10	13	15	4	B	10	13	28	4	B				28	4	B	
<b>Eleventh Ave @ 33rd St</b>	1	12	15	5	4	B	12	15	85	4	B				85	4	B	
	2	12	15	181	5	B	12	15	274	6	B				274	6	B	
	3	10	13	153	5	B	10	13	179	5	B				179	5	B	
	4	10	13	2	4	B	10	13	29	4	B				29	4	B	
	5	12	15	33	4	B	12	15	126	5	B				126	5	B	
	6	12	15	3	4	B	12	15	40	4	B				40	4	B	
	7	10	13	0	4	B	0	0	0	N/A	N/A				0	N/A	N/A	
	8	10	13	2	4	B	0	0	0	N/A	N/A				0	N/A	N/A	
<b>Eleventh Ave @ 34th St</b>	1	13	15	6	4	B	13	15	91	4	B				91	4	B	
	2	9	12	141	5	B	14	17	321	6	B				321	6	B	
	3	17	20	89	4	B	26	30	390	5	B				390	5	B	
	4	17	20	72	4	B	17	20	153	5	B				153	5	B	
	5	12	15	152	5	B	12	15	262	5	B				262	5	B	
	6	12	15	7	4	B	12	15	115	5	B				115	5	B	
	7	17	20	120	4	B	17	20	126	4	B				126	4	B	
	8	17	20	44	4	B	17	20	46	4	B				46	4	B	
<b>Eleventh Ave @ 35th St</b>	1	16	19	10	4	B	16	19	81	4	B				81	4	B	
	2	14	15	117	5	B	14	15	231	5	B				231	5	B	
	3	12	14	1	4	B	12	14	23	4	B				23	4	B	
	4	12	14	9	4	B	17	19	52	4	B				52	4	B	
	5	8	11	117	5	B	13	16	281	5	B				281	5	B	
	6	12	15	8	4	B	12	15	93	5	B				93	5	B	
	7	0	0	0	N/A	N/A	0	0	0	N/A	N/A				0	N/A	N/A	
	8	0	0	0	N/A	N/A	0	0	0	N/A	N/A				0	N/A	N/A	
<b>Eleventh Ave @ 36th St</b>	1	12	15	11	4	B	12	15	83	4	B				83	4	B	
	2	7	9	107	5	B	7	9	180	6	B				180	6	B	
	3	10	13	2	4	B	10	13	17	4	B				17	4	B	
	4	8	10	4	4	B	8	10	12	4	B				12	4	B	
	5	12	15	104	5	B	12	15	268	5	B				268	5	B	
	6	13	17	6	4	B	13	17	77	4	B				77	4	B	
	7	0	0	0	N/A	N/A	0	0	0	N/A	N/A				0	N/A	N/A	
	8	0	0	0	N/A	N/A	0	0	0	N/A	N/A				0	N/A	N/A	
<b>Eleventh Ave @ 37th St</b>	1	12	15	0	4	B	12	15	86	4	B				86	4	B	
	2	7	10	104	5	B	7	10	154	5	B				154	5	B	
	3	9	12	8	4	B	9	12	28	4	B				28	4	B	
	4	9	12	6	4	B	9	12	14	4	B				14	4	B	
	5	7	10	86	5	B	7	10	149	5	B				149	5	B	
	6	12	15	7	4	B	12	15	79	4	B				79	4	B	
	7	0	0	0	N/A	N/A	0	0	0	N/A	N/A				0	N/A	N/A	
	8	0	0	0	N/A	N/A	0	0	0	N/A	N/A				0	N/A	N/A	



## Appendix S.5.3

### Pedestrian Improvement Analysis - Sidewalks Level of Service

#### 2010 Future Conditions (MD)

Intersection	Walkway Location	2010 Future without the Proposed Action					2010 Future with the Proposed Action						2010 Future with the Proposed Action (Improvement)					
		Effective Walkway width	Actual walkway width	Sidewalk Volumes	Platoon Flow Rate (ped/min/ft)	Platoon Level of Service	Effective Walkway width	Actual walkway width	Sidewalk Volumes	Platoon Flow Rate (ped/min/ft)	Platoon Level of Service	Impact?	Proposed Effective Walkway width	Proposed Actual walkway width	Sidewalk Volumes	Platoon Flow Rate (ped/min/ft)	Platoon Level of Service	Still Impact?
<b>Eleventh Ave @ 38th St</b>	1	12	15	1	4	B	12	15	105	5	B			105	5	B		
	2	7	10	0	4	B	7	10	32	4	B			32	4	B		
	3	8	11	1	4	B	8	11	21	4	B			21	4	B		
	4	8	11	5	4	B	8	11	14	4	B			14	4	B		
	5	7	10	72	5	B	7	10	113	5	B			113	5	B		
	6	12	15	0	4	B	12	15	86	4	B			86	4	B		
	7	0	0	0	N/A	N/A	0	0	0	N/A	N/A			0	N/A	N/A		
	8	0	0	0	N/A	N/A	0	0	0	N/A	N/A			0	N/A	N/A		
<b>Eleventh Ave @ 39th St</b>	1	11	14	8	4	B	11	14	125	5	B			125	5	B		
	2	7	10	0	4	B	7	10	24	4	B			24	4	B		
	3	9	12	21	4	B	9	12	29	4	B			29	4	B		
	4	8	11	61	5	B	8	11	70	5	B			70	5	B		
	5	7	10	0	4	B	7	10	24	4	B			24	4	B		
	6	12	15	7	4	B	12	15	111	5	B			111	5	B		
	7	10	13	60	4	B	0	0	0	N/A	N/A			0	N/A	N/A		
	8	12	15	12	4	B	0	0	0	N/A	N/A			0	N/A	N/A		
<b>Eleventh Ave @ 40th St</b>	1	12	15	3	4	B	12	15	150	5	B			150	5	B		
	2	7	10	3	4	B	7	10	15	4	B			15	4	B		
	3	10	13	5	4	B	10	13	41	4	B			41	4	B		
	4	10	13	1	4	B	10	13	1	4	B			1	4	B		
	5	7	10	5	4	B	7	10	17	4	B			17	4	B		
	6	12	15	29	4	B	12	15	146	5	B			146	5	B		
	7	10	13	8	4	B	0	0	0	N/A	N/A			0	N/A	N/A		
	8	10	13	3	4	B	0	0	0	N/A	N/A			0	N/A	N/A		
<b>Eleventh Ave @ 42nd St</b>	1	13	16	24	4	B	13	16	91	4	B			91	4	B		
	2	13	16	7	4	B	13	16	41	4	B			41	4	B		
	3	12	15	180	5	B	12	15	261	5	B			261	5	B		
	4	12	15	134	5	B	12	15	279	6	B			279	6	B		
	5	12	16	17	4	B	12	16	25	4	B			25	4	B		
	6	12	15	55	4	B	12	15	71	4	B			71	4	B		
	7	12	16	126	5	B	12	16	126	5	B			126	5	B		
	8	12	16	135	5	B	12	16	269	5	B			269	5	B		
<b>Tenth Ave @ 29th St</b>	1	12	15	97	5	B	12	15	132	5	B			132	5	B		
	2	12	15	65	4	B	12	15	77	4	B			77	4	B		
	3	10	13	57	4	B	10	13	63	4	B			63	4	B		
	4	10	13	71	4	B	10	13	77	5	B			77	5	B		
	5	12	15	77	4	B	12	15	89	4	B			89	4	B		
	6	12	15	141	5	B	12	15	161	5	B			161	5	B		
	7	10	13	43	4	B	10	13	45	4	B			45	4	B		
	8	10	13	47	4	B	10	13	47	4	B			47	4	B		
<b>Tenth Ave @ 30th St</b>	1	13	16	89	4	B	13	16	179	5	B			179	5	B		
	2	12	15	115	5	B	12	15	142	5	B			142	5	B		
	3	10	13	162	5	B	10	13	187	5	B			187	5	B		
	4	12	15	46	4	B	12	15	68	4	B			68	4	B		
	5	12	15	84	4	B	12	15	109	5	B			109	5	B		
	6	12	15	121	5	B	12	15	169	5	B			169	5	B		
	7	11	14	44	4	B	11	14	50	4	B			50	4	B		
	8	11	14	149	5	B	11	14	170	5	B			170	5	B		

### Appendix S.5.3

#### Pedestrian Improvement Analysis - Sidewalks Level of Service

##### 2010 Future Conditions (MD)

Intersection	Walkway Location	2010 Future without the Proposed Action					2010 Future with the Proposed Action						2010 Future with the Proposed Action (Improvement)					
		Effective Walkway width	Actual walkway width	Sidewalk Volumes	Platoon Flow Rate (ped/min/ft)	Platoon Level of Service	Effective Walkway width	Actual walkway width	Sidewalk Volumes	Platoon Flow Rate (ped/min/ft)	Platoon Level of Service	Impact?	Proposed Effective Walkway width	Proposed Actual walkway width	Sidewalk Volumes	Platoon Flow Rate (ped/min/ft)	Platoon Level of Service	Still Impact?
Tenth Ave @ 31st St	1	12	15	42	4	B	12	15	180	5	B				180	5	B	
	2	12	15	78	4	B	12	15	109	5	B				109	5	B	
	3	11	13	162	5	B	11	13	191	5	B				191	5	B	
	4	11	13	18	4	B	11	13	43	4	B				43	4	B	
	5	12	15	119	5	B	12	15	145	5	B				145	5	B	
	6	12	15	91	5	B	12	15	181	5	B				181	5	B	
	7	0	0	0	N/A	N/A	0	0	0	N/A	N/A				0	N/A	N/A	
	8	0	0	0	N/A	N/A	0	0	0	N/A	N/A				0	N/A	N/A	
Tenth Ave @ 33rd St	1	12	15	104	5	B	12	15	238	5	B				238	5	B	
	2	12	15	116	5	B	12	15	158	5	B				158	5	B	
	3	10	13	205	5	B	10	13	243	6	B				243	6	B	
	4	10	13	316	6	B	10	13	362	6	B				362	6	B	
	5	12	15	36	4	B	12	15	80	4	B				80	4	B	
	6	12	15	48	4	B	12	15	186	5	B				186	5	B	
	7	10	13	180	5	B	10	13	221	5	B				221	5	B	
	8	10	13	315	6	B	10	13	358	6	B				358	6	B	
Tenth Ave @ 34th St	1	12	15	124	5	B	12	15	145	5	B				145	5	B	
	2	12	15	98	5	B	12	15	117	5	B				117	5	B	
	3	17	20	135	5	B	17	20	206	5	B				206	5	B	
	4	17	20	180	5	B	17	20	339	5	B				339	5	B	
	5	12	15	165	5	B	12	15	221	5	B				221	5	B	
	6	12	15	107	5	B	12	15	252	5	B				252	5	B	
	7	17	20	127	4	B	17	20	300	5	B				300	5	B	
	8	17	20	146	5	B	17	20	455	6	B				455	6	B	
Tenth Ave @ 35th St	1	13	16	72	4	B	13	16	340	6	B				340	6	B	
	2	13	15	76	4	B	13	15	142	5	B				142	5	B	
	3	12	15	66	4	B	12	15	98	5	B				98	5	B	
	4	7	9	1	4	B	7	9	191	6	B				191	6	B	
	5	13	15	74	4	B	13	15	78	4	B				78	4	B	
	6	11	15	64	4	B	11	15	73	4	B				73	4	B	
	7	10	13	35	4	B	10	13	572	8	C				572	8	C	
	8	12	14	71	4	B	12	14	100	5	B				100	5	B	
Tenth Ave @ 36th St	1	12	15	68	4	B	12	15	276	6	B				276	6	B	
	2	10	16	54	4	B	10	16	107	5	B				107	5	B	
	3	9	12	41	4	B	9	12	68	5	B				68	5	B	
	4	9	12	39	4	B	9	12	67	4	B				67	4	B	
	5	12	15	51	4	B	12	15	105	5	B				105	5	B	
	6	12	15	60	4	B	12	15	314	6	B				314	6	B	
	7	9	12	25	4	B	9	12	33	4	B				33	4	B	
	8	10	12	49	4	B	10	12	63	4	B				63	4	B	
Tenth Ave @ 37th St	1	5	15	47	5	B	5	15	197	7	B				197	7	B	
	2	5	15	68	5	B	5	15	130	6	B				130	6	B	
	3	9	12	36	4	B	9	12	76	5	B				76	5	B	
	4	9	12	35	4	B	9	12	70	5	B				70	5	B	
	5	12	15	41	4	B	12	15	83	4	B				83	4	B	
	6	12	15	47	4	B	12	15	245	5	B				245	5	B	
	7	9	12	12	4	B	9	12	20	4	B				20	4	B	
	8	9	12	50	4	B	9	12	70	5	B				70	5	B	

## Appendix S.5.3

### Pedestrian Improvement Analysis - Sidewalks Level of Service

#### 2010 Future Conditions (MD)

Intersection	Walkway Location	2010 Future without the Proposed Action					2010 Future with the Proposed Action						2010 Future with the Proposed Action (Improvement)					
		Effective Walkway width	Actual walkway width	Sidewalk Volumes	Platoon Flow Rate (ped/min/ft)	Platoon Level of Service	Effective Walkway width	Actual walkway width	Sidewalk Volumes	Platoon Flow Rate (ped/min/ft)	Platoon Level of Service	Impact?	Proposed Effective Walkway width	Proposed Actual walkway width	Sidewalk Volumes	Platoon Flow Rate (ped/min/ft)	Platoon Level of Service	Still Impact?
<b>Tenth Ave @ 38th St</b>	1	12	15	45	4	B	12	15	129	5	B			129	5	B		
	2	12	15	57	4	B	12	15	127	5	B			127	5	B		
	3	9	12	41	4	B	9	12	72	5	B			72	5	B		
	4	9	12	18	4	B	9	12	54	4	B			54	4	B		
	5	12	15	44	4	B	12	15	94	5	B			94	5	B		
	6	12	15	44	4	B	12	15	172	5	B			172	5	B		
	7	9	12	19	4	B	9	12	28	4	B			28	4	B		
	8	9	12	14	4	B	9	12	30	4	B			30	4	B		
<b>Tenth Ave @ 39th St</b>	1	12	15	51	4	B	12	15	75	4	B			75	4	B		
	2	12	15	59	4	B	12	15	131	5	B			131	5	B		
	3	9	12	46	4	B	9	12	77	5	B			77	5	B		
	4	9	12	42	4	B	9	12	77	5	B			77	5	B		
	5	12	15	57	4	B	12	15	119	5	B			119	5	B		
	6	12	15	57	4	B	12	15	122	5	B			122	5	B		
	7	10	13	40	4	B	10	13	48	4	B			48	4	B		
	8	7	10	46	4	B	7	10	54	5	B			54	5	B		
<b>Tenth Ave @ 40th St</b>	1	12	15	42	4	B	12	15	53	4	B			53	4	B		
	2	12	15	48	4	B	12	15	119	5	B			119	5	B		
	3	9	12	62	4	B	9	12	86	5	B			86	5	B		
	4	9	12	45	4	B	9	12	68	5	B			68	5	B		
	5	12	15	72	4	B	12	15	131	5	B			131	5	B		
	6	12	15	49	4	B	12	15	60	4	B			60	4	B		
	7	10	13	18	4	B	10	13	18	4	B			18	4	B		
	8	10	13	29	4	B	10	13	67	4	B			67	4	B		
<b>Tenth Ave @ 41st St</b>	1	12	15	58	4	B	12	15	60	4	B			60	4	B		
	2	14	16	98	4	B	14	16	254	5	B			254	5	B		
	3	8	10	102	5	B	8	10	137	5	B			137	5	B		
	4	12	14	60	4	B	12	14	91	5	B			91	5	B		
	5	13	16	70	4	B	13	16	145	5	B			145	5	B		
	6	8	10	35	4	B	8	10	49	4	B			49	4	B		
	7	13	17	10	4	B	13	17	27	4	B			27	4	B		
	8	9	12	40	4	B	9	12	97	5	B			97	5	B		
<b>Tenth Ave @ 42nd St</b>	1	17	20	99	4	B	17	20	125	4	B			125	4	B		
	2	17	22	109	4	B	17	22	224	5	B			224	5	B		
	3	18	21	283	5	B	18	21	369	5	B			369	5	B		
	4	12	20	218	5	B	12	20	566	7	B			566	7	B		
	5	8	16	63	5	B	8	16	78	5	B			78	5	B		
	6	13	16	70	4	B	13	16	78	4	B			78	4	B		
	7	13	15	176	5	B	13	15	326	6	B			326	6	B		
	8	13	15	239	5	B	13	15	321	6	B			321	6	B		
<b>Dyer @ 42nd St</b>	1	0	0	0	N/A	N/A	0	0	0	N/A	N/A			0	N/A	N/A		
	2	0	0	0	N/A	N/A	0	0	0	N/A	N/A			0	N/A	N/A		
	3	19	21	125	4	B	19	21	125	4	B			125	4	B		
	4	18	20	97	4	B	18	20	97	4	B			97	4	B		
	5	6	6	3	4	B	6	6	3	4	B			3	4	B		
	6	2	4	5	4	B	2	4	5	4	B			5	4	B		
	7	18	20	88	4	B	18	20	88	4	B			88	4	B		
	8	19	21	105	4	B	19	21	105	4	B			105	4	B		

## Appendix S.5.3

### Pedestrian Improvement Analysis - Sidewalks Level of Service

#### 2010 Future Conditions (MD)

Intersection	Walkway Location	2010 Future without the Proposed Action					2010 Future with the Proposed Action						2010 Future with the Proposed Action (Improvement)					
		Effective Walkway width	Actual walkway width	Sidewalk Volumes	Platoon Flow Rate (ped/min/ft)	Platoon Level of Service	Effective Walkway width	Actual walkway width	Sidewalk Volumes	Platoon Flow Rate (ped/min/ft)	Platoon Level of Service	Impact?	Proposed Effective Walkway width	Proposed Actual walkway width	Sidewalk Volumes	Platoon Flow Rate (ped/min/ft)	Platoon Level of Service	Still Impact?
<b>Ninth Ave @ 30th St</b>	1	14	16	289	5	B	14	16	303	5	B				303	5	B	
	2	8	15	591	9	C	8	15	605	9	C				605	9	C	
	3	6	13	48	5	B	6	13	53	5	B				53	5	B	
	4	10	13	59	4	B	10	13	61	4	B				61	4	B	
	5	13	16	335	6	B	13	16	348	6	B				348	6	B	
	6	13	16	305	6	B	13	16	318	6	B				318	6	B	
	7	11	14	115	5	B	11	14	131	5	B				131	5	B	
	8	10	12	178	5	B	10	12	198	5	B				198	5	B	
<b>Ninth Ave @ 31st St</b>	1	12	15	84	4	B	12	15	109	5	B				109	5	B	
	2	10	13	17	4	B	10	13	44	4	B				44	4	B	
	3	10	13	984	11	D	10	13	994	11	D				994	11	D	
	4	10	13	103	5	B	10	13	107	5	B				107	5	B	
	5	12	15	493	7	B	12	15	519	7	B				519	7	B	
	6	12	15	338	6	B	12	15	364	6	B				364	6	B	
	7	10	13	147	5	B	10	13	165	5	B				165	5	B	
	8	10	13	170	5	B	10	13	191	5	B				191	5	B	
<b>Ninth Ave @ 33rd St</b>	1	12	15	254	5	B	12	15	297	6	B				297	6	B	
	2	12	15	546	7	B	12	15	587	7	B				587	7	B	
	3	10	13	245	6	B	10	13	259	6	B				259	6	B	
	4	10	13	1153	12	D	10	13	1184	12	D				1184	12	D	
	5	12	15	158	5	B	12	15	198	5	B				198	5	B	
	6	12	15	228	5	B	12	15	267	5	B				267	5	B	
	7	10	13	402	7	B	10	13	439	7	B				439	7	B	
	8	10	13	252	6	B	10	13	283	6	B				283	6	B	
<b>Ninth Ave @ 34th St</b>	1	11	15	312	6	B	11	15	330	6	B				330	6	B	
	2	12	15	407	6	B	12	15	425	6	B				425	6	B	
	3	19	23	289	5	B	19	23	328	5	B				328	5	B	
	4	19	23	335	5	B	19	23	377	5	B				377	5	B	
	5	12	15	650	8	C	12	15	705	8	C				705	8	C	
	6	12	15	368	6	B	12	15	424	6	B				424	6	B	
	7	16	20	291	5	B	16	20	442	6	B				442	6	B	
	8	15	20	296	5	B	15	20	360	6	B				360	6	B	
<b>Ninth Ave @ 37th St</b>	1	12	15	293	6	B	12	15	342	6	B				342	6	B	
	2	12	15	244	5	B	12	15	286	6	B				286	6	B	
	3	9	12	135	5	B	9	12	152	5	B				152	5	B	
	4	9	12	63	4	B	9	12	75	5	B				75	5	B	
	5	10	15	274	6	B	10	15	317	6	B				317	6	B	
	6	12	15	300	6	B	12	15	339	6	B				339	6	B	
	7	6	12	61	5	B	6	12	88	5	B				88	5	B	
	8	9	12	91	5	B	9	12	120	5	B				120	5	B	
<b>Ninth Ave @ 38th St</b>	1	10	15	152	5	B	10	15	152	5	B				152	5	B	
	2	8	15	106	5	B	8	15	139	5	B				139	5	B	
	3	8	11	52	4	B	8	11	71	5	B				71	5	B	
	4	8	11	36	4	B	8	11	55	4	B				55	4	B	
	5	10	15	91	5	B	10	15	121	5	B				121	5	B	
	6	12	15	106	5	B	12	15	152	5	B				152	5	B	
	7	8	11	52	4	B	8	11	78	5	B				78	5	B	
	8	8	11	34	4	B	8	11	56	4	B				56	4	B	

## Appendix S.5.3

### Pedestrian Improvement Analysis - Sidewalks Level of Service

#### 2010 Future Conditions (MD)

Intersection	Walkway Location	2010 Future without the Proposed Action					2010 Future with the Proposed Action						2010 Future with the Proposed Action (Improvement)					
		Effective Walkway width	Actual walkway width	Sidewalk Volumes	Platoon Flow Rate (ped/min/ft)	Platoon Level of Service	Effective Walkway width	Actual walkway width	Sidewalk Volumes	Platoon Flow Rate (ped/min/ft)	Platoon Level of Service	Impact?	Proposed Effective Walkway width	Proposed Actual walkway width	Sidewalk Volumes	Platoon Flow Rate (ped/min/ft)	Platoon Level of Service	Still Impact?
<b>Ninth Ave @ 39th St</b>	1	8	15	108	5	B	8	15	122	5	B			122	5	B		
	2	11	15	192	5	B	11	15	213	5	B			213	5	B		
	3	9	12	90	5	B	9	12	99	5	B			99	5	B		
	4	9	12	103	5	B	9	12	124	5	B			124	5	B		
	5	10	15	205	5	B	10	15	229	6	B			229	6	B		
	6	12	15	148	5	B	12	15	138	5	B			138	5	B		
	7	9	12	51	4	B	9	12	76	5	B			76	5	B		
	8	9	12	54	4	B	9	12	78	5	B			78	5	B		
<b>Ninth Ave @ 42nd St</b>	1	13	16	337	6	B	13	16	357	6	B			357	6	B		
	2	8	10	281	6	B	8	10	307	7	B			307	7	B		
	3	8	11	381	7	B	8	11	478	8	C			478	8	C		
	4	12	19	468	7	B	12	19	636	8	C			636	8	C		
	5	8	14	272	6	B	8	14	290	7	B			290	7	B		
	6	8	15	220	6	B	8	15	232	6	B			232	6	B		
	7	13	20	279	5	B	13	20	573	7	B			573	7	B		
	8	18	21	320	5	B	18	21	403	5	B			403	5	B		
<b>Eighth Ave @ 30th St</b>	1	11	14	454	7	B	11	14	454	7	B			454	7	B		
	2	11	15	393	6	B	11	15	395	6	B			395	6	B		
	3	9	13	157	5	B	9	13	160	5	B			160	5	B		
	4	11	14	120	5	B	11	14	123	5	B			123	5	B		
	5	12	15	198	5	B	12	15	198	5	B			198	5	B		
	6	11	14	304	6	B	11	14	304	6	B			304	6	B		
	7	10	14	58	4	B	10	14	60	4	B			60	4	B		
	8	10	13	79	5	B	10	13	84	5	B			84	5	B		
<b>Eighth Ave @ 31st St</b>	1	12	16	211	5	B	12	16	211	5	B			211	5	B		
	2	18	24	153	5	B	18	24	153	5	B			153	5	B		
	3	35	49	438	5	B	35	49	443	5	B			443	5	B		
	4	10	14	93	5	B	10	14	97	5	B			97	5	B		
	5	12	15	251	5	B	12	15	252	5	B			252	5	B		
	6	12	15	263	5	B	12	15	263	5	B			263	5	B		
	7	10	13	158	5	B	10	13	164	5	B			164	5	B		
	8	21	24	487	6	B	21	24	494	6	B			494	6	B		
<b>Eighth Ave @ 33rd St</b>	1	12	15	1038	10	C	12	15	1039	10	C			1039	10	C		
	2	12	19	328	6	B	12	19	332	6	B			332	6	B		
	3	10	17	338	6	B	10	17	347	6	B			347	6	B		
	4	30	43	884	6	B	30	43	888	6	B			888	6	B		
	5	30	43	418	5	B	30	43	420	5	B			420	5	B		
	6	12	16	472	7	B	12	16	472	7	B			472	7	B		
	7	13	24	1321	11	D	13	24	1342	11	D			1342	11	D		
	8	7	14	360	7	B	7	14	374	8	C			374	8	C		
<b>Eighth Ave @ 34th St</b>	1	11	15	481	7	B	11	15	488	7	B			488	7	B		
	2	11	15	216	5	B	11	15	221	5	B			221	5	B		
	3	19	22	439	6	B	19	22	465	6	B			465	6	B		
	4	19	22	287	5	B	19	22	325	5	B			325	5	B		
	5	12	15	201	5	B	12	15	208	5	B			208	5	B		
	6	11	15	645	8	C	11	15	647	8	C			647	8	C		
	7	12	22	186	5	B	12	22	228	5	B			228	5	B		
	8	18	22	273	5	B	18	22	312	5	B			312	5	B		

## Appendix S.5.3

### Pedestrian Improvement Analysis - Sidewalks Level of Service

#### 2010 Future Conditions (MD)

Intersection	Walkway Location	2010 Future without the Proposed Action					2010 Future with the Proposed Action						2010 Future with the Proposed Action (Improvement)					
		Effective Walkway width	Actual walkway width	Sidewalk Volumes	Platoon Flow Rate (ped/min/ft)	Platoon Level of Service	Effective Walkway width	Actual walkway width	Sidewalk Volumes	Platoon Flow Rate (ped/min/ft)	Platoon Level of Service	Impact?	Proposed Effective Walkway width	Proposed Actual walkway width	Sidewalk Volumes	Platoon Flow Rate (ped/min/ft)	Platoon Level of Service	Still Impact?
<b>Eighth Ave @ 37th St</b>	1	8	15	201	6	B	8	15	205	6	B			205	6	B		
	2	12	15	462	7	B	12	15	463	7	B			463	7	B		
	3	9	12	127	5	B	9	12	137	5	B			137	5	B		
	4	6	12	203	6	B	6	12	213	6	B			213	6	B		
	5	9	15	166	5	B	9	15	168	5	B			168	5	B		
	6	9	15	339	7	B	9	15	344	7	B			344	7	B		
	7	5	12	214	7	B	5	12	225	7	B			225	7	B		
	8	10	13	288	6	B	10	13	302	6	B			302	6	B		
<b>Eighth Ave @ 38th St</b>	1	8	15	262	6	B	8	15	270	6	B			270	6	B		
	2	10	15	195	5	B	10	15	203	5	B			203	5	B		
	3	5	12	37	4	B	5	12	53	5	B			53	5	B		
	4	9	12	114	5	B	9	12	124	5	B			124	5	B		
	5	8	15	238	6	B	8	15	242	6	B			242	6	B		
	6	10	15	289	6	B	10	15	296	6	B			296	6	B		
	7	8	11	102	5	B	8	11	118	5	B			118	5	B		
	8	8	11	84	5	B	8	11	102	5	B			102	5	B		
<b>Eighth Ave @ 39th St</b>	1	12	15	647	8	C	12	15	665	8	C			665	8	C		
	2	11	15	747	9	C	11	15	759	9	C			759	9	C		
	3	8	12	311	7	B	8	12	323	7	B			323	7	B		
	4	9	12	343	7	B	9	12	358	7	B			358	7	B		
	5	12	15	576	7	B	12	15	588	7	B			588	7	B		
	6	12	15	761	8	C	12	15	773	8	C			773	8	C		
	7	9	12	230	6	B	9	12	260	6	B			260	6	B		
	8	9	12	194	5	B	9	12	200	5	B			200	5	B		
<b>Eighth Ave @ 42nd St</b>	1	7	15	557	9	C	7	15	569	9	C			569	9	C		
	2	16	16	597	6	B	16	16	609	7	B			609	7	B		
	3	15	23	696	7	B	15	23	774	7	B			774	7	B		
	4	14	16	984	9	C	14	16	1065	9	C			1065	9	C		
	5	7	12	987	13	D	7	12	991	13	D			991	13	D		
	6	12	29	715	8	C	12	29	728	8	C			728	8	C		
	7	12	34	604	7	B	12	34	756	8	C			756	8	C		
	8	12	20	639	8	C	12	20	733	8	C			733	8	C		
<b>Seventh Ave @ 31st St</b>	1	19	23	541	6	B	19	23	541	6	B			541	6	B		
	2	19	23	551	6	B	19	23	552	6	B			552	6	B		
	3	10	13	322	6	B	10	13	326	6	B			326	6	B		
	4	10	13	281	6	B	10	13	284	6	B			284	6	B		
	5	17	20	327	5	B	17	20	327	5	B			327	5	B		
	6	16	20	529	6	B	16	20	529	6	B			529	6	B		
	7	10	13	89	5	B	10	13	92	5	B			92	5	B		
	8	15	18	396	6	B	15	18	401	6	B			401	6	B		
<b>Seventh Ave @ 33rd St</b>	1	16	20	613	7	B	16	20	615	7	B			615	7	B		
	2	15	20	751	7	B	15	20	752	7	B			752	7	B		
	3	7	13	397	8	C	7	13	401	8	C			401	8	C		
	4	10	13	534	8	C	10	13	540	8	C			540	8	C		
	5	15	20	585	7	B	15	20	585	7	B			585	7	B		
	6	37	40	524	5	B	37	40	524	5	B			524	5	B		
	7	37	40	714	5	B	37	40	719	5	B			719	5	B		
	8	9	15	444	7	B	9	15	452	7	B			452	7	B		

## Appendix S.5.3

### Pedestrian Improvement Analysis - Sidewalks Level of Service

#### 2010 Future Conditions (MD)

Intersection	Walkway Location	2010 Future without the Proposed Action					2010 Future with the Proposed Action						2010 Future with the Proposed Action (Improvement)					
		Effective Walkway width	Actual walkway width	Sidewalk Volumes	Platoon Flow Rate (ped/min/ft)	Platoon Level of Service	Effective Walkway width	Actual walkway width	Sidewalk Volumes	Platoon Flow Rate (ped/min/ft)	Platoon Level of Service	Impact?	Proposed Effective Walkway	Proposed Actual walkway width	Sidewalk Volumes	Platoon Flow Rate (ped/min/ft)	Platoon Level of Service	Still Impact?
<b>Seventh Ave @ 34th St</b>	1	17	20	472	6	B	17	20	476	6	B			476	6	B		
	2	17	20	329	5	B	17	20	334	5	B			334	5	B		
	3	20	23	516	6	B	20	23	544	6	B			544	6	B		
	4	20	23	406	5	B	20	23	434	5	B			434	5	B		
	5	17	20	414	6	B	17	20	415	6	B			415	6	B		
	6	17	20	285	5	B	17	20	287	5	B			287	5	B		
	7	20	23	335	5	B	20	23	373	5	B			373	5	B		
	8	20	23	408	5	B	20	23	434	5	B			434	5	B		
<b>Sixth Ave @ 33rd St</b>	1	26	34	627	6	B	26	34	627	6	B			627	6	B		
	2	25	28	412	5	B	25	28	412	5	B			412	5	B		
	3	10	13	283	6	B	10	13	288	6	B			288	6	B		
	4	10	13	453	7	B	10	13	458	7	B			458	7	B		
	5	24	27	476	5	B	24	27	476	5	B			476	5	B		
	6	17	24	604	6	B	17	24	604	6	B			604	6	B		
	7	10	13	368	6	B	10	13	374	6	B			374	6	B		
	8	10	13	225	6	B	10	13	229	6	B			229	6	B		
<b>Sixth Ave @ 34th St</b>	1	0	0	0	N/A	N/A	0	0	0	N/A	N/A			0	N/A	N/A		
	2	10	17	1698	15	D	10	17	1698	15	D			1698	15	D		
	3	20	23	905	7	B	20	23	930	7	B			930	7	B		
	4	18	23	578	6	B	18	23	603	6	B			603	6	B		
	5	14	17	1635	12	D	14	17	1635	12	D			1635	12	D		
	6	0	0	0	N/A	N/A	0	0	0	N/A	N/A			0	N/A	N/A		
	7	0	0	0	N/A	N/A	0	0	0	N/A	N/A			0	N/A	N/A		
	8	0	0	0	N/A	N/A	0	0	0	N/A	N/A			0	N/A	N/A		
<b>Broadway @ 34th St</b>	1	25	30	1472	8	C	25	30	1472	8	C			1472	8	C		
	2	0	0	0	N/A	N/A	0	0	0	N/A	N/A			0	N/A	N/A		
	3	0	0	0	N/A	N/A	0	0	0	N/A	N/A			0	N/A	N/A		
	4	0	0	0	N/A	N/A	0	0	0	N/A	N/A			0	N/A	N/A		
	5	0	0	0	N/A	N/A	0	0	0	N/A	N/A			0	N/A	N/A		
	6	25	30	1640	8	C	25	30	1641	8	C			1641	8	C		
	7	18	23	1060	8	C	18	23	1086	8	C			1086	8	C		
	8	18	23	829	7	B	18	23	857	7	B			857	7	B		
<b>Blvd @ 33rd St</b>	1	0	0	0	N/A	N/A	10	10	149	5	B			149	5	B		
	2	0	0	0	N/A	N/A	10	13	89	5	B			89	5	B		
	3	0	0	0	N/A	N/A	10	13	209	5	B			209	5	B		
	4	0	0	0	N/A	N/A	10	13	191	5	B			191	5	B		
	5	0	0	0	N/A	N/A	0	0	0	N/A	N/A			0	N/A	N/A		
	6	0	0	0	N/A	N/A	0	0	0	N/A	N/A			0	N/A	N/A		
	7	0	0	0	N/A	N/A	10	13	27	4	B			27	4	B		
	8	0	0	0	N/A	N/A	10	13	187	5	B			187	5	B		
<b>Blvd @ 34th St</b>	1	0	0	0	N/A	N/A	15	18	304	5	B			304	5	B		
	2	0	0	0	N/A	N/A	10	13	58	4	B			58	4	B		
	3	0	0	0	N/A	N/A	17	20	396	6	B			396	6	B		
	4	0	0	0	N/A	N/A	17	20	234	5	B			234	5	B		
	5	0	0	0	N/A	N/A	10	13	86	5	B			86	5	B		
	6	0	0	0	N/A	N/A	10	13	120	5	B			120	5	B		
	7	0	0	0	N/A	N/A	17	20	142	5	B			142	5	B		
	8	0	0	0	N/A	N/A	26	30	465	5	B			465	5	B		

### Appendix S.5.3

#### Pedestrian Improvement Analysis - Sidewalks Level of Service

##### 2010 Future Conditions (PM)

Intersection	Walkway Location	2010 Future without the Proposed Action					2010 Future with the Proposed Action						2010 Future with the Proposed Action (Improvement)					
		Effective Walkway width	Actual walkway width	Sidewalk Volumes	Platoon Flow Rate (ped/min/ft)	Platoon Level of Service	Effective Walkway width	Actual walkway width	Sidewalk Volumes	Platoon Flow Rate (ped/min/ft)	Platoon Level of Service	Impact?	Proposed Effective Walkway width	Proposed Actual walkway width	Sidewalk Volumes	Platoon Flow Rate (ped/min/ft)	Platoon Level of Service	Still Impact?
Twelfth Ave @ 30th St	1	0	0	0	N/A	N/A	0	0	0	N/A	N/A				0	N/A	N/A	
	2	9	11	6	4	B	9	11	6	4	B				6	4	B	
	3	10	13	2	4	B	10	13	2	4	B				2	4	B	
	4	10	13	3	4	B	10	13	3	4	B				3	4	B	
	5	12	15	2	4	B	12	15	2	4	B				2	4	B	
	6	0	0	0	N/A	N/A	0	0	0	N/A	N/A				0	N/A	N/A	
	7	0	0	0	N/A	N/A	0	0	0	N/A	N/A				0	N/A	N/A	
	8	0	0	0	N/A	N/A	0	0	0	N/A	N/A				0	N/A	N/A	
Twelfth Ave @ 34th St	1	0	0	0	N/A	N/A	0	0	0	N/A	N/A				0	N/A	N/A	
	2	9	12	1	4	B	9	12	8	4	B				8	4	B	
	3	15	18	19	4	B	15	18	21	4	B				21	4	B	
	4	15	18	94	4	B	15	18	106	4	B				106	4	B	
	5	9	12	0	4	B	9	12	0	4	B				0	4	B	
	6	0	0	0	N/A	N/A	0	0	0	N/A	N/A				0	N/A	N/A	
	7	0	0	0	N/A	N/A	0	0	0	N/A	N/A				0	N/A	N/A	
	8	0	0	0	N/A	N/A	0	0	0	N/A	N/A				0	N/A	N/A	
Twelfth Ave @ 39th St	1	0	0	0	N/A	N/A	0	0	0	N/A	N/A				0	N/A	N/A	
	2	10	13	3	4	B	10	13	3	4	B				3	4	B	
	3	10	13	0	4	B	0	0	0	N/A	N/A				0	N/A	N/A	
	4	10	13	59	4	B	0	0	0	N/A	N/A				0	N/A	N/A	
	5	15	18	4	4	B	15	18	11	4	B				11	4	B	
	6	0	0	0	N/A	N/A	0	0	0	N/A	N/A				0	N/A	N/A	
	7	0	0	0	N/A	N/A	0	0	0	N/A	N/A				0	N/A	N/A	
	8	0	0	0	N/A	N/A	0	0	0	N/A	N/A				0	N/A	N/A	
Twelfth Ave @ 40th St	1	0	0	0	N/A	N/A	0	0	0	N/A	N/A				0	N/A	N/A	
	2	10	13	5	4	B	10	13	3	4	B				3	4	B	
	3	9	11	3	4	B	0	0	3	N/A	N/A				0	N/A	N/A	
	4	9	12	0	4	B	0	0	0	N/A	N/A				0	N/A	N/A	
	5	11	14	1	4	B	11	14	1	4	B				1	4	B	
	6	0	0	0	N/A	N/A	0	0	0	N/A	N/A				0	N/A	N/A	
	7	0	0	0	N/A	N/A	0	0	0	N/A	N/A				0	N/A	N/A	
	8	0	0	0	N/A	N/A	0	0	0	N/A	N/A				0	N/A	N/A	
Twelfth Ave @ 42nd St	1	0	0	0	N/A	N/A	0	0	0	N/A	N/A				0	N/A	N/A	
	2	17	20	27	4	B	17	20	29	4	B				29	4	B	
	3	12	15	111	5	B	12	15	114	5	B				114	5	B	
	4	23	26	111	4	B	23	26	111	4	B				111	4	B	
	5	17	20	16	4	B	17	20	14	4	B				14	4	B	
	6	0	0	0	N/A	N/A	0	0	0	N/A	N/A				0	N/A	N/A	
	7	0	0	0	N/A	N/A	0	0	0	N/A	N/A				0	N/A	N/A	
	8	0	0	0	N/A	N/A	0	0	0	N/A	N/A				0	N/A	N/A	
Eleventh Ave @ 29th St	1	12	15	20	4	B	12	15	87	4	B				87	4	B	
	2	12	15	37	4	B	12	15	123	5	B				123	5	B	
	3	10	13	5	4	B	10	13	111	5	B				111	5	B	
	4	10	13	9	4	B	10	13	14	4	B				14	4	B	
	5	12	15	37	4	B	12	15	65	4	B				65	4	B	
	6	12	15	17	4	B	12	15	32	4	B				32	4	B	
	7	10	13	7	4	B	10	13	7	4	B				7	4	B	
	8	10	13	4	4	B	10	13	4	4	B				4	4	B	



## Appendix S.5.3

### Pedestrian Improvement Analysis - Sidewalk Level of Service

#### 2010 Future Conditions (PM)

Intersection	Walkway Location	2010 Future without the Proposed Action					2010 Future with the Proposed Action						2010 Future with the Proposed Action (Improvement)					
		Effective Walkway width	Actual walkway width	Sidewalk Volumes	Platoon Flow Rate (ped/min/ft)	Platoon Level of Service	Effective Walkway width	Actual walkway width	Sidewalk Volumes	Platoon Flow Rate (ped/min/ft)	Platoon Level of Service	Impact?	Proposed Effective Walkway width	Proposed Actual walkway width	Sidewalk Volumes	Platoon Flow Rate (ped/min/ft)	Platoon Level of Service	Still Impact?
<b>Eleventh Ave @ 30th St</b>	1	12	15	14	4	B	12	15	77	4	B			77	4	B		
	2	12	15	42	4	B	12	15	82	4	B			82	4	B		
	3	10	13	28	4	B	10	13	56	4	B			56	4	B		
	4	10	13	5	4	B	10	13	19	4	B			19	4	B		
	5	12	15	57	4	B	12	15	144	5	B			144	5	B		
	6	12	15	21	4	B	12	15	89	4	B			89	4	B		
	7	10	13	5	4	B	10	13	5	4	B			5	4	B		
	8	10	13	8	4	B	10	13	46	4	B			46	4	B		
<b>Eleventh Ave @ 33rd St</b>	1	12	15	4	4	B	12	15	125	5	B			125	5	B		
	2	12	15	60	4	B	12	15	111	5	B			111	5	B		
	3	10	13	43	4	B	10	13	105	5	B			105	5	B		
	4	10	13	3	4	B	10	13	65	4	B			65	4	B		
	5	12	15	25	4	B	12	15	66	4	B			66	4	B		
	6	12	15	3	4	B	12	15	29	4	B			29	4	B		
	7	10	13	1	4	B	0	0	0	N/A	N/A			0	N/A	N/A		
	8	10	13	0	4	B	0	0	0	N/A	N/A			0	N/A	N/A		
<b>Eleventh Ave @ 34th St</b>	1	13	15	5	4	B	13	15	182	5	B			182	5	B		
	2	9	12	42	4	B	14	17	166	5	B			166	5	B		
	3	17	20	68	4	B	26	30	166	4	B			166	4	B		
	4	17	20	60	4	B	17	20	255	5	B			255	5	B		
	5	12	15	50	4	B	12	15	113	5	B			113	5	B		
	6	12	15	6	4	B	12	15	167	5	B			167	5	B		
	7	17	20	98	4	B	17	20	110	4	B			110	4	B		
	8	17	20	25	4	B	17	20	27	4	B			27	4	B		
<b>Eleventh Ave @ 35th St</b>	1	16	19	11	4	B	16	19	49	4	B			49	4	B		
	2	14	15	28	4	B	14	15	110	5	B			110	5	B		
	3	12	14	2	4	B	12	14	16	4	B			16	4	B		
	4	12	14	0	4	B	17	19	58	4	B			58	4	B		
	5	8	11	26	4	B	13	16	158	5	B			158	5	B		
	6	12	15	8	4	B	12	15	185	5	B			185	5	B		
	7	0	0	0	N/A	N/A	0	0	0	N/A	N/A			0	N/A	N/A		
	8	0	0	0	N/A	N/A	0	0	0	N/A	N/A			0	N/A	N/A		
<b>Eleventh Ave @ 36th St</b>	1	12	15	9	4	B	12	15	49	4	B			49	4	B		
	2	7	9	28	4	B	7	9	78	5	B			78	5	B		
	3	10	13	1	4	B	10	13	10	4	B			10	4	B		
	4	8	10	4	4	B	8	10	13	4	B			13	4	B		
	5	12	15	27	4	B	12	15	254	5	B			254	5	B		
	6	13	17	11	4	B	13	17	49	4	B			49	4	B		
	7	0	0	0	N/A	N/A	0	0	0	N/A	N/A			0	N/A	N/A		
	8	0	0	0	N/A	N/A	0	0	0	N/A	N/A			0	N/A	N/A		
<b>Eleventh Ave @ 37th St</b>	1	12	15	3	4	B	12	15	53	4	B			53	4	B		
	2	7	10	33	4	B	7	10	54	5	B			54	5	B		
	3	9	12	0	4	B	9	12	38	4	B			38	4	B		
	4	9	12	1	4	B	9	12	10	4	B			10	4	B		
	5	7	10	19	4	B	7	10	69	5	B			69	5	B		
	6	12	15	7	4	B	12	15	49	4	B			49	4	B		
	7	0	0	0	N/A	N/A	0	0	0	N/A	N/A			0	N/A	N/A		
	8	0	0	0	N/A	N/A	0	0	0	N/A	N/A			0	N/A	N/A		

## Appendix S.5.3

### Pedestrian Improvement Analysis - Sidewalks Level of Service

#### 2010 Future Conditions (PM)

Intersection	Walkway Location	2010 Future without the Proposed Action					2010 Future with the Proposed Action						2010 Future with the Proposed Action (Improvement)					
		Effective Walkway width	Actual walkway width	Sidewalk Volumes	Platoon Flow Rate (ped/min/ft)	Platoon Level of Service	Effective Walkway width	Actual walkway width	Sidewalk Volumes	Platoon Flow Rate (ped/min/ft)	Platoon Level of Service	Impact?	Proposed Effective Walkway width	Proposed Actual walkway width	Sidewalk Volumes	Platoon Flow Rate (ped/min/ft)	Platoon Level of Service	Still Impact?
<b>Eleventh Ave @ 38th St</b>	1	12	15	1	4	B	12	15	61	4	B				61	4	B	
	2	7	10	0	4	B	7	10	5	4	B				5	4	B	
	3	8	11	0	4	B	8	11	25	4	B				25	4	B	
	4	8	11	2	4	B	8	11	11	4	B				11	4	B	
	5	7	10	16	4	B	7	10	36	4	B				36	4	B	
	6	12	15	0	4	B	12	15	50	4	B				50	4	B	
	7	0	0	0	N/A	N/A	0	0	0	N/A	N/A				0	N/A	N/A	
	8	0	0	0	N/A	N/A	0	0	0	N/A	N/A				0	N/A	N/A	
<b>Eleventh Ave @ 39th St</b>	1	11	14	4	4	B	11	14	70	4	B				70	4	B	
	2	7	10	4	4	B	7	10	11	4	B				11	4	B	
	3	9	12	1	4	B	9	12	10	4	B				10	4	B	
	4	8	11	52	4	B	8	11	61	5	B				61	5	B	
	5	7	10	0	4	B	7	10	7	4	B				7	4	B	
	6	12	15	2	4	B	12	15	62	4	B				62	4	B	
	7	10	13	53	4	B	0	0	0	N/A	N/A				0	N/A	N/A	
	8	12	15	4	4	B	0	0	0	N/A	N/A				0	N/A	N/A	
<b>Eleventh Ave @ 40th St</b>	1	12	15	76	4	B	12	15	155	5	B				155	5	B	
	2	7	10	22	4	B	7	10	28	4	B				28	4	B	
	3	10	13	0	4	B	10	13	33	4	B				33	4	B	
	4	10	13	7	4	B	10	13	7	4	B				7	4	B	
	5	7	10	16	4	B	7	10	22	4	B				22	4	B	
	6	12	15	103	5	B	12	15	169	5	B				169	5	B	
	7	10	13	1	4	B	0	0	0	N/A	N/A				0	N/A	N/A	
	8	10	13	5	4	B	0	0	0	N/A	N/A				0	N/A	N/A	
<b>Eleventh Ave @ 42nd St</b>	1	13	16	62	4	B	13	16	106	5	B				106	5	B	
	2	13	16	13	4	B	13	16	35	4	B				35	4	B	
	3	12	15	204	5	B	12	15	262	5	B				262	5	B	
	4	12	15	141	5	B	12	15	266	5	B				266	5	B	
	5	12	16	1	4	B	12	16	3	4	B				3	4	B	
	6	12	15	69	4	B	12	15	73	4	B				73	4	B	
	7	12	16	114	5	B	12	16	114	5	B				114	5	B	
	8	12	16	130	5	B	12	16	218	5	B				218	5	B	
<b>Tenth Ave @ 29th St</b>	1	12	15	58	4	B	12	15	77	4	B				77	4	B	
	2	12	15	43	4	B	12	15	47	4	B				47	4	B	
	3	10	13	45	4	B	10	13	46	4	B				46	4	B	
	4	10	13	33	4	B	10	13	35	4	B				35	4	B	
	5	12	15	43	4	B	12	15	44	4	B				44	4	B	
	6	12	15	95	5	B	12	15	111	5	B				111	5	B	
	7	10	13	41	4	B	10	13	45	4	B				45	4	B	
	8	10	13	24	4	B	10	13	24	4	B				24	4	B	
<b>Tenth Ave @ 30th St</b>	1	13	16	54	4	B	13	16	83	4	B				83	4	B	
	2	12	15	51	4	B	12	15	64	4	B				64	4	B	
	3	10	13	47	4	B	10	13	66	4	B				66	4	B	
	4	12	15	30	4	B	12	15	40	4	B				40	4	B	
	5	12	15	40	4	B	12	15	46	4	B				46	4	B	
	6	12	15	71	4	B	12	15	93	5	B				93	5	B	
	7	11	14	33	4	B	11	14	45	4	B				45	4	B	
	8	11	14	40	4	B	11	14	87	5	B				87	5	B	

## Appendix S.5.3

### Pedestrian Improvement Analysis - Sidewalks Level of Service

#### 2010 Future Conditions (PM)

Intersection	Walkway Location	2010 Future without the Proposed Action					2010 Future with the Proposed Action						2010 Future with the Proposed Action (Improvement)					
		Effective Walkway width	Actual walkway width	Sidewalk Volumes	Platoon Flow Rate (ped/min/ft)	Platoon Level of Service	Effective Walkway width	Actual walkway width	Sidewalk Volumes	Platoon Flow Rate (ped/min/ft)	Platoon Level of Service	Impact?	Proposed Effective Walkway width	Proposed Actual walkway width	Sidewalk Volumes	Platoon Flow Rate (ped/min/ft)	Platoon Level of Service	Still Impact?
<b>Tenth Ave @ 31st St</b>	1	12	15	56	4	B	12	15	86	4	B				86	4	B	
	2	12	15	46	4	B	12	15	69	4	B				69	4	B	
	3	11	13	44	4	B	11	13	74	4	B				74	4	B	
	4	11	13	16	4	B	11	13	29	4	B				29	4	B	
	5	12	15	68	4	B	12	15	79	4	B				79	4	B	
	6	12	15	67	4	B	12	15	96	5	B				96	5	B	
	7	0	0	0	N/A	N/A	0	0	0	N/A	N/A				0	N/A	N/A	
	8	0	0	0	N/A	N/A	0	0	0	N/A	N/A				0	N/A	N/A	
<b>Tenth Ave @ 33rd St</b>	1	12	15	43	4	B	12	15	73	4	B				73	4	B	
	2	12	15	50	4	B	12	15	77	4	B				77	4	B	
	3	10	13	54	4	B	10	13	173	5	B				173	5	B	
	4	10	13	105	5	B	10	13	258	6	B				258	6	B	
	5	12	15	44	4	B	12	15	69	4	B				69	4	B	
	6	12	15	40	4	B	12	15	106	5	B				106	5	B	
	7	10	13	49	4	B	10	13	187	5	B				187	5	B	
	8	10	13	58	4	B	10	13	190	5	B				190	5	B	
<b>Tenth Ave @ 34th St</b>	1	12	15	55	4	B	12	15	89	4	B				89	4	B	
	2	12	15	43	4	B	12	15	56	4	B				56	4	B	
	3	17	20	104	4	B	17	20	238	5	B				238	5	B	
	4	17	20	167	5	B	17	20	339	5	B				339	5	B	
	5	12	15	75	4	B	12	15	103	5	B				103	5	B	
	6	12	15	32	4	B	12	15	63	4	B				63	4	B	
	7	17	20	135	5	B	17	20	379	5	B				379	5	B	
	8	17	20	103	4	B	17	20	339	5	B				339	5	B	
<b>Tenth Ave @ 35th St</b>	1	13	16	38	4	B	13	16	79	4	B				79	4	B	
	2	13	15	68	4	B	13	15	82	4	B				82	4	B	
	3	12	15	62	4	B	12	15	136	5	B				136	5	B	
	4	7	9	1	4	B	7	9	131	5	B				131	5	B	
	5	13	15	50	4	B	13	15	62	4	B				62	4	B	
	6	11	15	38	4	B	11	15	72	4	B				72	4	B	
	7	10	13	21	4	B	10	13	204	5	B				204	5	B	
	8	12	14	43	4	B	12	14	97	5	B				97	5	B	
<b>Tenth Ave @ 36th St</b>	1	12	15	34	4	B	12	15	66	4	B				66	4	B	
	2	10	16	33	4	B	10	16	43	4	B				43	4	B	
	3	9	12	18	4	B	9	12	29	4	B				29	4	B	
	4	9	12	32	4	B	9	12	43	4	B				43	4	B	
	5	12	15	40	4	B	12	15	54	4	B				54	4	B	
	6	12	15	37	4	B	12	15	77	4	B				77	4	B	
	7	9	12	24	4	B	9	12	33	4	B				33	4	B	
	8	10	12	6	4	B	10	12	16	4	B				16	4	B	
<b>Tenth Ave @ 37th St</b>	1	5	15	20	4	B	5	15	37	4	B				37	4	B	
	2	5	15	30	4	B	5	15	55	5	B				55	5	B	
	3	9	12	21	4	B	9	12	35	4	B				35	4	B	
	4	9	12	17	4	B	9	12	31	4	B				31	4	B	
	5	12	15	30	4	B	12	15	39	4	B				39	4	B	
	6	12	15	19	4	B	12	15	52	4	B				52	4	B	
	7	9	12	14	4	B	9	12	23	4	B				23	4	B	
	8	9	12	19	4	B	9	12	30	4	B				30	4	B	

## Appendix S.5.3

### Pedestrian Improvement Analysis - Sidewalks Level of Service

#### 2010 Future Conditions (PM)

Intersection	Walkway Location	2010 Future without the Proposed Action					2010 Future with the Proposed Action						2010 Future with the Proposed Action (Improvement)					
		Effective Walkway width	Actual walkway width	Sidewalk Volumes	Platoon Flow Rate (ped/min/ft)	Platoon Level of Service	Effective Walkway width	Actual walkway width	Sidewalk Volumes	Platoon Flow Rate (ped/min/ft)	Platoon Level of Service	Impact?	Proposed Effective Walkway width	Proposed Actual walkway width	Sidewalk Volumes	Platoon Flow Rate (ped/min/ft)	Platoon Level of Service	Still Impact?
<b>Tenth Ave @ 38th St</b>	1	12	15	21	4	B	12	15	33	4	B				33	4	B	
	2	12	15	23	4	B	12	15	40	4	B				40	4	B	
	3	9	12	18	4	B	9	12	30	4	B				30	4	B	
	4	9	12	16	4	B	9	12	30	4	B				30	4	B	
	5	12	15	27	4	B	12	15	36	4	B				36	4	B	
	6	12	15	20	4	B	12	15	37	4	B				37	4	B	
	7	9	12	15	4	B	9	12	25	4	B				25	4	B	
	8	9	12	33	4	B	9	12	42	4	B				42	4	B	
<b>Tenth Ave @ 39th St</b>	1	12	15	17	4	B	12	15	25	4	B				25	4	B	
	2	12	15	26	4	B	12	15	46	4	B				46	4	B	
	3	9	12	32	4	B	9	12	44	4	B				44	4	B	
	4	9	12	39	4	B	9	12	54	4	B				54	4	B	
	5	12	15	35	4	B	12	15	52	4	B				52	4	B	
	6	12	15	19	4	B	12	15	32	4	B				32	4	B	
	7	10	13	36	4	B	10	13	44	4	B				44	4	B	
	8	7	10	30	4	B	7	10	39	4	B				39	4	B	
<b>Tenth Ave @ 40th St</b>	1	12	15	33	4	B	12	15	40	4	B				40	4	B	
	2	12	15	52	4	B	12	15	137	5	B				137	5	B	
	3	9	12	37	4	B	9	12	88	5	B				88	5	B	
	4	9	12	11	4	B	9	12	55	4	B				55	4	B	
	5	12	15	38	4	B	12	15	58	4	B				58	4	B	
	6	12	15	35	4	B	12	15	42	4	B				42	4	B	
	7	10	13	4	4	B	10	13	4	4	B				4	4	B	
	8	10	13	15	4	B	10	13	49	4	B				49	4	B	
<b>Tenth Ave @ 41st St</b>	1	12	15	36	4	B	12	15	38	4	B				38	4	B	
	2	14	16	82	4	B	14	16	212	5	B				212	5	B	
	3	8	10	62	5	B	8	10	146	5	B				146	5	B	
	4	12	14	26	4	B	12	14	50	4	B				50	4	B	
	5	13	16	62	4	B	13	16	148	5	B				148	5	B	
	6	8	10	40	4	B	8	10	47	4	B				47	4	B	
	7	13	17	11	4	B	13	17	26	4	B				26	4	B	
	8	9	12	47	4	B	9	12	80	5	B				80	5	B	
<b>Tenth Ave @ 42nd St</b>	1	17	20	66	4	B	17	20	74	4	B				74	4	B	
	2	17	22	102	4	B	17	22	130	5	B				130	5	B	
	3	18	21	317	5	B	18	21	441	6	B				441	6	B	
	4	12	20	225	5	B	12	20	601	7	B				601	7	B	
	5	8	16	62	5	B	8	16	91	5	B				91	5	B	
	6	13	16	48	4	B	13	16	50	4	B				50	4	B	
	7	13	15	154	5	B	13	15	276	5	B				276	5	B	
	8	13	15	298	6	B	13	15	358	6	B				358	6	B	
<b>Dyer @ 42nd St</b>	1	0	0	0	N/A	N/A	0	0	0	N/A	N/A				0	N/A	N/A	
	2	0	0	0	N/A	N/A	0	0	0	N/A	N/A				0	N/A	N/A	
	3	19	21	269	5	B	19	21	269	5	B				269	5	B	
	4	18	20	129	4	B	18	20	149	5	B				149	5	B	
	5	6	6	16	4	B	6	6	16	4	B				16	4	B	
	6	2	4	4	4	B	2	4	4	4	B				4	4	B	
	7	18	20	120	4	B	18	20	140	5	B				140	5	B	
	8	19	21	224	5	B	19	21	224	5	B				224	5	B	

## Appendix S.5.3

### Pedestrian Improvement Analysis - Sidewalks Level of Service

#### 2010 Future Conditions (PM)

Intersection	Walkway Location	2010 Future without the Proposed Action					2010 Future with the Proposed Action						2010 Future with the Proposed Action (Improvement)					
		Effective Walkway width	Actual walkway width	Sidewalk Volumes	Platoon Flow Rate (ped/min/ft)	Platoon Level of Service	Effective Walkway width	Actual walkway width	Sidewalk Volumes	Platoon Flow Rate (ped/min/ft)	Platoon Level of Service	Impact?	Proposed Effective Walkway width	Proposed Actual walkway width	Sidewalk Volumes	Platoon Flow Rate (ped/min/ft)	Platoon Level of Service	Still Impact?
<b>Ninth Ave @ 30th St</b>	1	14	16	111	5	B	14	16	113	5	B				113	5	B	
	2	8	15	209	6	B	8	15	211	6	B				211	6	B	
	3	6	13	51	5	B	6	13	65	5	B				65	5	B	
	4	10	13	70	4	B	10	13	79	5	B				79	5	B	
	5	13	16	138	5	B	13	16	138	5	B				138	5	B	
	6	13	16	118	5	B	13	16	119	5	B				119	5	B	
	7	11	14	110	5	B	11	14	120	5	B				120	5	B	
	8	10	12	55	4	B	10	12	74	4	B				74	4	B	
<b>Ninth Ave @ 31st St</b>	1	12	15	54	4	B	12	15	56	4	B				56	4	B	
	2	10	13	78	5	B	10	13	84	5	B				84	5	B	
	3	10	13	220	5	B	10	13	242	6	B				242	6	B	
	4	10	13	122	5	B	10	13	134	5	B				134	5	B	
	5	12	15	238	5	B	12	15	241	5	B				241	5	B	
	6	12	15	97	5	B	12	15	100	5	B				100	5	B	
	7	10	13	67	4	B	10	13	78	5	B				78	5	B	
	8	10	13	37	4	B	10	13	59	4	B				59	4	B	
<b>Ninth Ave @ 33rd St</b>	1	12	15	197	5	B	12	15	210	5	B				210	5	B	
	2	12	15	185	5	B	12	15	194	5	B				194	5	B	
	3	10	13	39	4	B	10	13	75	5	B				75	5	B	
	4	10	13	418	7	B	10	13	641	8	C				641	8	C	
	5	12	15	43	4	B	12	15	49	4	B				49	4	B	
	6	12	15	62	4	B	12	15	65	4	B				65	4	B	
	7	10	13	148	5	B	10	13	286	6	B				286	6	B	
	8	10	13	51	4	B	10	13	170	5	B				170	5	B	
<b>Ninth Ave @ 34th St</b>	1	11	15	274	6	B	11	15	282	6	B				282	6	B	
	2	12	15	292	6	B	12	15	297	6	B				297	6	B	
	3	19	23	368	5	B	19	23	502	6	B				502	6	B	
	4	19	23	366	5	B	19	23	508	6	B				508	6	B	
	5	12	15	325	6	B	12	15	334	6	B				334	6	B	
	6	12	15	284	6	B	12	15	297	6	B				297	6	B	
	7	16	20	275	5	B	16	20	447	6	B				447	6	B	
	8	15	20	197	5	B	15	20	330	5	B				330	5	B	
<b>Ninth Ave @ 37th St</b>	1	12	15	307	6	B	12	15	314	6	B				314	6	B	
	2	12	15	245	5	B	12	15	248	5	B				248	5	B	
	3	9	12	131	5	B	9	12	143	5	B				143	5	B	
	4	9	12	65	4	B	9	12	77	5	B				77	5	B	
	5	10	15	277	6	B	10	15	281	6	B				281	6	B	
	6	12	15	273	6	B	12	15	277	6	B				277	6	B	
	7	6	12	66	5	B	6	12	79	5	B				79	5	B	
	8	9	12	83	5	B	9	12	96	5	B				96	5	B	
<b>Ninth Ave @ 38th St</b>	1	10	15	119	5	B	10	15	110	5	B				110	5	B	
	2	8	15	118	5	B	8	15	123	5	B				123	5	B	
	3	8	11	88	5	B	8	11	112	5	B				112	5	B	
	4	8	11	25	4	B	8	11	43	4	B				43	4	B	
	5	10	15	172	5	B	10	15	173	5	B				173	5	B	
	6	12	15	90	5	B	12	15	116	5	B				116	5	B	
	7	8	11	22	4	B	8	11	34	4	B				34	4	B	
	8	8	11	38	4	B	8	11	48	4	B				48	4	B	

## Appendix S.5.3

### Pedestrian Improvement Analysis - Sidewalks Level of Service

#### 2010 Future Conditions (PM)

Intersection	Walkway Location	2010 Future without the Proposed Action					2010 Future with the Proposed Action						2010 Future with the Proposed Action (Improvement)					
		Effective Walkway width	Actual walkway width	Sidewalk Volumes	Platoon Flow Rate (ped/min/ft)	Platoon Level of Service	Effective Walkway width	Actual walkway width	Sidewalk Volumes	Platoon Flow Rate (ped/min/ft)	Platoon Level of Service	Impact?	Proposed Effective Walkway width	Proposed Actual walkway width	Sidewalk Volumes	Platoon Flow Rate (ped/min/ft)	Platoon Level of Service	Still Impact?
<b>Ninth Ave @ 39th St</b>	1	8	15	142	5	B	8	15	142	5	B			142	5	B		
	2	11	15	286	6	B	11	15	289	6	B			289	6	B		
	3	9	12	78	5	B	9	12	86	5	B			86	5	B		
	4	9	12	83	5	B	9	12	96	5	B			96	5	B		
	5	10	15	285	6	B	10	15	290	6	B			290	6	B		
	6	12	15	154	5	B	12	15	138	5	B			138	5	B		
	7	9	12	45	4	B	9	12	57	4	B			57	4	B		
	8	9	12	52	4	B	9	12	63	4	B			63	4	B		
<b>Ninth Ave @ 42nd St</b>	1	13	16	352	6	B	13	16	366	6	B			366	6	B		
	2	8	10	337	7	B	8	10	342	7	B			342	7	B		
	3	8	11	501	8	C	8	11	641	9	C			641	9	C		
	4	12	19	428	6	B	12	19	693	8	C			693	8	C		
	5	8	14	350	7	B	8	14	352	7	B			352	7	B		
	6	8	15	185	6	B	8	15	186	6	B			186	6	B		
	7	13	20	276	5	B	13	20	661	7	B			661	7	B		
	8	18	21	415	6	B	18	21	538	6	B			538	6	B		
<b>Eighth Ave @ 30th St</b>	1	11	14	270	6	B	11	14	270	6	B			270	6	B		
	2	11	15	420	7	B	11	15	423	7	B			423	7	B		
	3	9	13	145	5	B	9	13	156	5	B			156	5	B		
	4	11	14	55	4	B	11	14	66	4	B			66	4	B		
	5	12	15	285	6	B	12	15	285	6	B			285	6	B		
	6	11	14	219	5	B	11	14	219	5	B			219	5	B		
	7	10	14	64	4	B	10	14	72	4	B			72	4	B		
	8	10	13	75	5	B	10	13	89	5	B			89	5	B		
<b>Eighth Ave @ 31st St</b>	1	12	16	279	6	B	12	16	281	6	B			281	6	B		
	2	18	24	212	5	B	18	24	213	5	B			213	5	B		
	3	35	49	312	5	B	35	49	324	5	B			324	5	B		
	4	10	14	48	4	B	10	14	59	4	B			59	4	B		
	5	12	15	165	5	B	12	15	167	5	B			167	5	B		
	6	12	15	152	5	B	12	15	154	5	B			154	5	B		
	7	10	13	127	5	B	10	13	140	5	B			140	5	B		
	8	21	24	228	5	B	21	24	246	5	B			246	5	B		
<b>Eighth Ave @ 33rd St</b>	1	12	15	977	9	C	12	15	983	9	C			983	9	C		
	2	12	19	436	6	B	12	19	475	7	B			475	7	B		
	3	10	17	393	7	B	10	17	413	7	B			413	7	B		
	4	30	43	705	6	B	30	43	718	6	B			718	6	B		
	5	30	43	517	5	B	30	43	578	5	B			578	5	B		
	6	12	16	400	6	B	12	16	401	6	B			401	6	B		
	7	13	24	808	8	C	13	24	939	9	C			939	9	C		
	8	7	14	223	6	B	7	14	260	6	B			260	6	B		
<b>Eighth Ave @ 34th St</b>	1	11	15	456	7	B	11	15	463	7	B			463	7	B		
	2	11	15	265	6	B	11	15	329	6	B			329	6	B		
	3	19	22	404	5	B	19	22	462	6	B			462	6	B		
	4	19	22	285	5	B	19	22	394	5	B			394	5	B		
	5	12	15	241	5	B	12	15	308	6	B			308	6	B		
	6	11	15	593	8	C	11	15	600	8	C			600	8	C		
	7	12	22	221	5	B	12	22	362	6	B			362	6	B		
	8	18	22	395	5	B	18	22	529	6	B			529	6	B		

## Appendix S.5.3

### Pedestrian Improvement Analysis - Sidewalks Level of Service

#### 2010 Future Conditions (PM)

Intersection	Walkway Location	2010 Future without the Proposed Action					2010 Future with the Proposed Action						2010 Future with the Proposed Action (Improvement)					
		Effective Walkway width	Actual walkway width	Sidewalk Volumes	Platoon Flow Rate (ped/min/ft)	Platoon Level of Service	Effective Walkway width	Actual walkway width	Sidewalk Volumes	Platoon Flow Rate (ped/min/ft)	Platoon Level of Service	Impact?	Proposed Effective Walkway width	Proposed Actual walkway width	Sidewalk Volumes	Platoon Flow Rate (ped/min/ft)	Platoon Level of Service	Still Impact?
<b>Eighth Ave @ 37th St</b>	1	8	15	456	8	C	8	15	461	8	C				461	8	C	
	2	12	15	736	8	C	12	15	739	8	C				739	8	C	
	3	9	12	130	5	B	9	12	140	5	B				140	5	B	
	4	6	12	127	5	B	6	12	137	6	B				137	6	B	
	5	9	15	522	8	C	9	15	526	8	C				526	8	C	
	6	9	15	658	9	C	9	15	662	9	C				662	9	C	
	7	5	12	159	6	B	5	12	170	6	B				170	6	B	
	8	10	13	72	4	B	10	13	83	5	B				83	5	B	
<b>Eighth Ave @ 38th St</b>	1	8	15	518	8	C	8	15	526	8	C				526	8	C	
	2	10	15	412	7	B	10	15	420	7	B				420	7	B	
	3	5	12	100	5	B	5	12	117	6	B				117	6	B	
	4	9	12	44	4	B	9	12	54	4	B				54	4	B	
	5	8	15	676	10	C	8	15	679	10	C				679	10	C	
	6	10	15	437	7	B	10	15	441	7	B				441	7	B	
	7	8	11	4	4	B	8	11	22	4	B				22	4	B	
	8	8	11	47	4	B	8	11	72	5	B				72	5	B	
<b>Eighth Ave @ 39th St</b>	1	12	15	867	9	C	12	15	885	9	C				885	9	C	
	2	11	15	1210	11	D	11	15	1220	11	D				1220	11	D	
	3	8	12	162	5	B	8	12	173	5	B				173	5	B	
	4	9	12	227	6	B	9	12	241	6	B				241	6	B	
	5	12	15	815	9	C	12	15	824	9	C				824	9	C	
	6	12	15	975	9	C	12	15	984	9	C				984	9	C	
	7	9	12	125	5	B	9	12	155	5	B				155	5	B	
	8	9	12	153	5	B	9	12	161	5	B				161	5	B	
<b>Eighth Ave @ 42nd St</b>	1	7	15	1682	20	E	7	15	1686	20	E				1686	20	E	
	2	16	16	764	7	B	16	16	768	7	B				768	7	B	
	3	15	23	535	6	B	15	23	635	7	B				635	7	B	
	4	14	16	1826	13	D	14	16	1967	13	D				1967	13	D	
	5	7	12	1155	15	D	7	12	1156	15	D				1156	15	D	
	6	12	29	1744	14	D	12	29	1750	14	D				1750	14	D	
	7	12	34	834	9	C	12	34	1076	10	C				1076	10	C	
	8	12	20	944	9	C	12	20	1084	10	C				1084	10	C	
<b>Seventh Ave @ 31st St</b>	1	19	23	725	7	B	19	23	725	7	B				725	7	B	
	2	19	23	657	6	B	19	23	658	6	B				658	6	B	
	3	10	13	683	9	C	10	13	693	9	C				693	9	C	
	4	10	13	563	8	C	10	13	571	8	C				571	8	C	
	5	17	20	639	7	B	17	20	639	7	B				639	7	B	
	6	16	20	519	6	B	16	20	519	6	B				519	6	B	
	7	10	13	412	7	B	10	13	421	7	B				421	7	B	
	8	15	18	485	6	B	15	18	497	6	B				497	6	B	
<b>Seventh Ave @ 33rd St</b>	1	16	20	625	7	B	16	20	630	7	B				630	7	B	
	2	15	20	700	7	B	15	20	701	7	B				701	7	B	
	3	7	13	590	10	C	7	13	602	10	C				602	10	C	
	4	10	13	613	8	C	10	13	628	8	C				628	8	C	
	5	15	20	529	6	B	15	20	529	6	B				529	6	B	
	6	37	40	699	5	B	37	40	699	5	B				699	5	B	
	7	37	40	709	5	B	37	40	722	5	B				722	5	B	
	8	9	15	572	8	C	9	15	591	8	C				591	8	C	

### Appendix S.5.3

#### Pedestrian Improvement Analysis - Sidewalks Level of Service

##### 2010 Future Conditions (PM)

Intersection	Walkway Location	2010 Future without the Proposed Action					2010 Future with the Proposed Action						2010 Future with the Proposed Action (Improvement)					
		Effective Walkway width	Actual walkway width	Sidewalk Volumes	Platoon Flow Rate (ped/min/ft)	Platoon Level of Service	Effective Walkway width	Actual walkway width	Sidewalk Volumes	Platoon Flow Rate (ped/min/ft)	Platoon Level of Service	Impact?	Proposed Effective Walkway width	Proposed Actual walkway width	Sidewalk Volumes	Platoon Flow Rate (ped/min/ft)	Platoon Level of Service	Still Impact?
<b>Seventh Ave @ 34th St</b>	1	17	20	1029	8	C	17	20	1034	8	C				1034	8	C	
	2	17	20	1020	8	C	17	20	1026	8	C				1026	8	C	
	3	20	23	981	7	B	20	23	1023	7	B				1023	7	B	
	4	20	23	797	7	B	20	23	839	7	B				839	7	B	
	5	17	20	861	7	B	17	20	862	7	B				862	7	B	
	6	17	20	773	7	B	17	20	779	7	B				779	7	B	
	7	20	23	893	7	B	20	23	995	7	B				995	7	B	
	8	20	23	1059	8	C	20	23	1114	8	C				1114	8	C	
<b>Sixth Ave @ 33rd St</b>	1	26	34	1108	7	B	26	34	1109	7	B				1109	7	B	
	2	25	28	596	6	B	25	28	596	6	B				596	6	B	
	3	10	13	591	8	C	10	13	603	8	C				603	8	C	
	4	10	13	709	9	C	10	13	721	9	C				721	9	C	
	5	24	27	528	5	B	24	27	529	5	B				529	5	B	
	6	17	24	1277	9	C	17	24	1278	9	C				1278	9	C	
	7	10	13	855	10	C	10	13	869	10	C				869	10	C	
	8	10	13	469	7	B	10	13	481	7	B				481	7	B	
<b>Sixth Ave @ 34th St</b>	1	0	0	0	N/A	N/A	0	0	0	N/A	N/A				0	N/A	N/A	
	2	10	17	1504	14	D	10	17	1504	14	D				1504	14	D	
	3	20	23	1447	9	C	20	23	1489	9	C				1489	9	C	
	4	18	23	1052	8	C	18	23	1094	8	C				1094	8	C	
	5	14	17	958	9	C	14	17	958	9	C				958	9	C	
	6	0	0	0	N/A	N/A	0	0	0	N/A	N/A				0	N/A	N/A	
	7	0	0	0	N/A	N/A	0	0	0	N/A	N/A				0	N/A	N/A	
	8	0	0	0	N/A	N/A	0	0	0	N/A	N/A				0	N/A	N/A	
<b>Broadway @ 34th St</b>	1	25	30	1796	9	C	25	30	1796	9	C				1796	9	C	
	2	0	0	0	N/A	N/A	0	0	0	N/A	N/A				0	N/A	N/A	
	3	0	0	0	N/A	N/A	0	0	0	N/A	N/A				0	N/A	N/A	
	4	0	0	0	N/A	N/A	0	0	0	N/A	N/A				0	N/A	N/A	
	5	0	0	0	N/A	N/A	0	0	0	N/A	N/A				0	N/A	N/A	
	6	25	30	1755	9	C	25	30	1755	9	C				1755	9	C	
	7	18	23	1775	11	D	18	23	1818	11	D				1818	11	D	
	8	18	23	1939	11	D	18	23	1981	11	D				1981	11	D	
<b>Blvd @ 33rd St</b>	1	0	0	0	N/A	N/A	10	10	159	5	B				159	5	B	
	2	0	0	0	N/A	N/A	10	13	94	5	B				94	5	B	
	3	0	0	0	N/A	N/A	10	13	168	5	B				168	5	B	
	4	0	0	0	N/A	N/A	10	13	170	5	B				170	5	B	
	5	0	0	0	N/A	N/A	0	0	0	N/A	N/A				0	N/A	N/A	
	6	0	0	0	N/A	N/A	0	0	0	N/A	N/A				0	N/A	N/A	
	7	0	0	0	N/A	N/A	10	13	62	4	B				62	4	B	
	8	0	0	0	N/A	N/A	10	13	97	5	B				97	5	B	
<b>Blvd @ 34th St</b>	1	0	0	0	N/A	N/A	15	18	478	6	B				478	6	B	
	2	0	0	0	N/A	N/A	10	13	14	4	B				14	4	B	
	3	0	0	0	N/A	N/A	17	20	300	5	B				300	5	B	
	4	0	0	0	N/A	N/A	17	20	284	5	B				284	5	B	
	5	0	0	0	N/A	N/A	10	13	91	5	B				91	5	B	
	6	0	0	0	N/A	N/A	10	13	105	5	B				105	5	B	
	7	0	0	0	N/A	N/A	17	20	236	5	B				236	5	B	
	8	0	0	0	N/A	N/A	26	30	541	5	B				541	5	B	



### Appendix S.5.3

#### Pedestrian Improvement Analysis - Sidewalk Level of Service

##### 2010 Future Conditions (EVE)

Intersection	Walkway Location	2010 Future without the Proposed Action					2010 Future with the Proposed Action						2010 Future with the Proposed Action (Improvement)					
		Effective Walkway width	Actual walkway width	Sidewalk Volumes	Platoon Flow Rate (ped/min/ft)	Platoon Level of Service	Effective Walkway width	Actual walkway width	Sidewalk Volumes	Platoon Flow Rate (ped/min/ft)	Platoon Level of Service	Impact?	Proposed Effective Walkway	Proposed Actual walkway width	Sidewalk Volumes	Platoon Flow Rate (ped/min/ft)	Platoon Level of Service	Still Impact?
Twelfth Ave @ 30th St	1	13	15	0	4	B	13	15	30	4	B				30	4	B	
	2	9	11	9	4	B	9	11	9	4	B				9	4	B	
	3	10	13	7	4	B	10	13	7	4	B		30	35	7	4	B	
	4	10	13	0	4	B	10	13	0	4	B				0	4	B	
	5	12	15	3	4	B	12	15	3	4	B				3	4	B	
	6	13	15	0	4	B	13	15	31	4	B				31	4	B	
	7	0	0	0	N/A	N/A	0	0	0	N/A	N/A				0	N/A	N/A	
	8	0	0	0	N/A	N/A	0	0	0	N/A	N/A				0	N/A	N/A	
Twelfth Ave @ 34th St	1	13	15	0	4	B	13	15	1074	10	C				1074	10	C	
	2	9	12	1	4	B	9	12	606	8	C				606	8	C	
	3	15	18	2	4	B	15	18	2	4	B				2	4	B	
	4	15	18	3	4	B	15	18	1682	11	D				608	7	B	
	5	9	12	1	4	B	9	12	1	4	B				1	4	B	
	6	13	15	0	4	B	13	15	0	4	B				0	4	B	
	7	0	0	0	N/A	N/A	0	0	0	N/A	N/A				0	N/A	N/A	
	8	0	0	0	N/A	N/A	0	0	0	N/A	N/A				0	N/A	N/A	
Eleventh Ave @ 30th St	1	12	15	1	4	B	12	15	3	4	B				3	4	B	
	2	12	15	13	4	B	12	15	18	4	B				18	4	B	
	3	10	13	8	4	B	10	13	765	9	C		30	35	1307	7	B	
	4	10	13	3	4	B	10	13	35	4	B				35	4	B	
	5	12	15	7	4	B	12	15	83	4	B				83	4	B	
	6	12	15	2	4	B	12	15	166	5	B				166	5	B	
	7	10	13	1	4	B	10	13	1	4	B				1	4	B	
	8	10	13	0	4	B	10	13	0	4	B		30	35	0	4	B	
Eleventh Ave @ 33rd St	1	12	15	3	4	B	12	15	3446	23	E	Yes			2006	15	D	
	2	12	15	21	4	B	12	15	23	4	B				23	4	B	
	3	10	13	17	4	B	10	13	699	9	C				475	7	B	
	4	10	13	2	4	B	10	13	3050	24	E	Yes	30	35	2441	9	C	
	5	12	15	7	4	B	12	15	11	4	B				11	4	B	
	6	12	15	6	4	B	12	15	8	4	B				8	4	B	
	7	10	13	1	4	B	0	0	0	N/A	N/A				0	N/A	N/A	
	8	10	13	0	4	B	0	0	0	N/A	N/A				0	N/A	N/A	
Eleventh Ave @ 34th St	1	13	15	3	4	B	13	15	372	6	B				339	6	B	
	2	9	12	13	4	B	14	17	469	6	B				465	6	B	
	3	17	20	6	4	B	26	30	209	5	B				175	4	B	
	4	17	20	40	4	B	17	20	545	6	B				251	5	B	
	5	12	15	29	4	B	12	15	101	5	B				101	5	B	
	6	12	15	3	4	B	12	15	3446	23	E	Yes			2006	15	D	
	7	17	20	5	4	B	17	20	1684	11	D				610	6	B	
	8	17	20	16	4	B	17	20	16	4	B				16	4	B	
Eleventh Ave @ 39th St	1	11	14	0	4	B	11	14	137	5	B				137	5	B	
	2	7	10	0	4	B	7	10	275	7	B				275	7	B	
	3	9	12	5	4	B	9	12	26	4	B				26	4	B	
	4	8	11	7	4	B	8	11	21	4	B				21	4	B	
	5	7	10	1	4	B	7	10	308	7	B				308	7	B	
	6	12	15	0	4	B	12	15	135	5	B				135	5	B	
	7	10	13	1	4	B	0	0	0	N/A	N/A				0	N/A	N/A	
	8	12	15	1	4	B	0	0	0	N/A	N/A				0	N/A	N/A	

### Appendix S.5.3

#### Pedestrian Improvement Analysis - Sidewalks Level of Service

##### 2010 Future Conditions (EVE)

Intersection	Walkway Location	2010 Future without the Proposed Action					2010 Future with the Proposed Action						2010 Future with the Proposed Action (Improvement)					
		Effective Walkway width	Actual walkway width	Sidewalk Volumes	Platoon Flow Rate (ped/min/ft)	Platoon Level of Service	Effective Walkway width	Actual walkway width	Sidewalk Volumes	Platoon Flow Rate (ped/min/ft)	Platoon Level of Service	Impact?	Proposed Effective Walkway width	Proposed Actual walkway width	Sidewalk Volumes	Platoon Flow Rate (ped/min/ft)	Platoon Level of Service	Still Impact?
<b>Eleventh Ave @ 42nd St</b>	1	13	16	25	4	B	13	16	29	4	B				29	4	B	
	2	13	16	18	4	B	13	16	105	5	B				105	5	B	
	3	12	15	78	4	B	12	15	111	5	B				111	5	B	
	4	12	15	35	4	B	12	15	73	4	B				73	4	B	
	5	12	16	8	4	B	12	16	122	5	B				122	5	B	
	6	12	15	48	4	B	12	15	50	4	B				50	4	B	
	7	12	16	18	4	B	12	16	18	4	B				18	4	B	
	8	12	16	38	4	B	12	16	66	4	B				66	4	B	
<b>Tenth Ave @ 30th St</b>	1	13	16	18	4	B	13	16	1988	14	D				1147	10	C	
	2	12	15	16	4	B	12	15	370	6	B				19	4	B	
	3	10	13	6	4	B	10	13	641	8	C				47	4	B	
	4	12	15	12	4	B	12	15	143	5	B				143	5	B	
	5	12	15	16	4	B	12	15	31	4	B				31	4	B	
	6	12	15	25	4	B	12	15	31	4	B				31	4	B	
	7	11	14	13	4	B	11	14	15	4	B				15	4	B	
	8	11	14	5	4	B	11	14	3108	23	E	Yes	31	36	1321	7	B	
<b>Tenth Ave @ 31st St</b>	1	12	15	14	4	B	12	15	776	8	C				1895	15	D	
	2	12	15	11	4	B	12	15	681	8	C				1184	11	D	
	3	11	13	6	4	B	11	13	1484	13	D				633	8	C	
	4	11	13	7	4	B	11	13	881	9	C				352	6	B	
	5	12	15	16	4	B	12	15	370	6	B				18	4	B	
	6	12	15	15	4	B	12	15	1985	15	D				1144	10	C	
	7	0	0	0	N/A	N/A	0	0	0	N/A	N/A				0	N/A	N/A	
	8	0	0	0	N/A	N/A	0	0	0	N/A	N/A				0	N/A	N/A	
<b>Tenth Ave @ 33rd St</b>	1	12	15	15	4	B	12	15	164	5	B				117	5	B	
	2	12	15	20	4	B	12	15	179	5	B				124	5	B	
	3	10	13	10	4	B	10	13	663	8	C				461	7	B	
	4	10	13	34	4	B	10	13	2405	20	E	Yes	30	35	4919	15	D	
	5	12	15	14	4	B	12	15	692	8	C				1195	11	D	
	6	12	15	22	4	B	12	15	784	8	C				1156	10	C	
	7	10	13	6	4	B	10	13	2581	21	E	Yes	30	35	3293	11	D	
	8	10	13	12	4	B	10	13	843	10	C				525	8	C	
<b>Tenth Ave @ 34th St</b>	1	12	15	19	4	B	12	15	115	5	B				115	5	B	
	2	12	15	35	4	B	12	15	92	5	B				92	5	B	
	3	17	20	48	4	B	17	20	278	5	B				195	5	B	
	4	17	20	71	4	B	17	20	541	6	B				286	5	B	
	5	12	15	24	4	B	12	15	183	5	B				128	5	B	
	6	12	15	22	4	B	12	15	171	5	B				125	5	B	
	7	17	20	52	4	B	17	20	499	6	B				314	5	B	
	8	17	20	38	4	B	17	20	205	5	B				152	5	B	
<b>Ninth Ave @ 30th St</b>	1	14	16	36	4	B	14	16	265	5	B				52	4	B	
	2	8	15	82	5	B	8	15	261	6	B				88	5	B	
	3	6	13	22	4	B	6	13	249	7	B				42	4	B	
	4	10	13	21	4	B	10	13	21	4	B				21	4	B	
	5	13	16	58	4	B	13	16	124	5	B				124	5	B	
	6	13	16	31	4	B	13	16	96	4	B				96	4	B	
	7	11	14	38	4	B	11	14	169	5	B				169	5	B	
	8	10	12	11	4	B	10	12	646	8	C				52	4	B	

### Appendix S.5.3

#### Pedestrian Improvement Analysis - Sidewalk Level of Service

##### 2010 Future Conditions (EVE)

Intersection	Walkway Location	2010 Future without the Proposed Action					2010 Future with the Proposed Action						2010 Future with the Proposed Action (Improvement)						
		Effective Walkway width	Actual walkway width	Sidewalk Volumes	Platoon Flow Rate (ped/min/ft)	Platoon Level of Service	Effective Walkway width	Actual walkway width	Sidewalk Volumes	Platoon Flow Rate (ped/min/ft)	Platoon Level of Service	Impact?	Proposed Effective Walkway	Proposed Actual walkway width	Sidewalk Volumes	Platoon Flow Rate (ped/min/ft)	Platoon Level of Service	Still Impact?	
Ninth Ave @ 31st St	1	12	15	28	4	B	12	15	69	4	B				174	5	B		
	2	10	13	38	4	B	10	13	559	8	C				38	4	B		
	3	10	13	25	4	B	10	13	1762	16	E	Yes				828	10	C	
	4	10	13	28	4	B	10	13	478	7	B				61	4	B		
	5	12	15	68	4	B	12	15	248	5	B				74	4	B		
	6	12	15	36	4	B	12	15	252	5	B				39	4	B		
	7	10	13	7	4	B	10	13	882	10	C				352	6	B		
	8	10	13	11	4	B	10	13	1489	14	D				638	8	C		
Ninth Ave @ 33rd St	1	12	15	35	4	B	12	15	222	5	B				157	5	B		
	2	12	15	90	5	B	12	15	263	5	B				216	5	B		
	3	10	13	25	4	B	10	13	514	7	B				497	7	B		
	4	10	13	88	5	B	10	13	2740	22	E	Yes	30	35	4763	15	D		
	5	12	15	48	4	B	12	15	569	7	B				48	4	B		
	6	12	15	20	4	B	12	15	99	5	B				204	5	B		
	7	10	13	79	5	B	10	13	2422	20	E	Yes	30	35	4936	15	D		
	8	10	13	20	4	B	10	13	654	8	C				452	7	B		
Ninth Ave @ 34th St	1	11	15	73	4	B	11	15	172	5	B				172	5	B		
	2	12	15	98	5	B	12	15	114	5	B				114	5	B		
	3	19	23	129	4	B	19	23	508	6	B				394	5	B		
	4	19	23	152	5	B	19	23	627	6	B				293	5	B		
	5	12	15	91	5	B	12	15	264	5	B				217	5	B		
	6	12	15	39	4	B	12	15	228	5	B				164	5	B		
	7	16	20	75	4	B	16	20	545	6	B				291	5	B		
	8	15	20	52	4	B	15	20	283	5	B				200	5	B		
Eighth Ave @ 30th St	1	11	14	124	5	B	11	14	229	5	B				124	5	B		
	2	11	15	261	6	B	11	15	356	6	B				281	6	B		
	3	9	13	83	5	B	9	13	110	5	B				83	5	B		
	4	11	14	38	4	B	11	14	38	4	B				38	4	B		
	5	12	15	109	5	B	12	15	109	5	B				109	5	B		
	6	11	14	132	5	B	11	14	132	5	B				132	5	B		
	7	10	14	47	4	B	10	14	47	4	B				47	4	B		
	8	10	13	49	4	B	10	13	277	6	B				70	4	B		
Eighth Ave @ 31st St	1	12	16	162	5	B	12	16	206	5	B				162	5	B		
	2	18	24	121	4	B	18	24	175	5	B				121	4	B		
	3	35	49	126	4	B	35	49	743	5	B				286	5	B		
	4	10	14	20	4	B	10	14	136	5	B				20	4	B		
	5	12	15	210	5	B	12	15	305	6	B				230	5	B		
	6	12	15	240	5	B	12	15	345	6	B				240	5	B		
	7	10	13	124	5	B	10	13	574	8	C				156	5	B		
	8	21	24	84	4	B	21	24	1392	8	C				673	6	B		
Eighth Ave @ 33rd St	1	12	15	382	6	B	12	15	483	7	B				523	7	B		
	2	12	19	318	6	B	12	19	441	6	B				425	6	B		
	3	10	17	188	5	B	10	17	376	7	B				336	6	B		
	4	30	43	361	5	B	30	43	583	5	B				1303	7	B		
	5	30	43	389	5	B	30	43	444	5	B				390	5	B		
	6	12	16	221	5	B	12	16	266	5	B				222	5	B		
	7	13	24	245	5	B	13	24	2253	16	E	Yes	33	46	3418	11	D		
	8	7	14	68	5	B	7	14	475	9	C				459	8	C		

## Appendix S.5.3

### Pedestrian Improvement Analysis - Sidewalks Level of Service

#### 2010 Future Conditions (EVE)

Intersection	Walkway Location	2010 Future without the Proposed Action					2010 Future with the Proposed Action						2010 Future with the Proposed Action (Improvement)					
		Effective Walkway width	Actual walkway width	Sidewalk Volumes	Platoon Flow Rate (ped/min/ft)	Platoon Level of Service	Effective Walkway width	Actual walkway width	Sidewalk Volumes	Platoon Flow Rate (ped/min/ft)	Platoon Level of Service	Impact?	Proposed Effective Walkway width	Proposed Actual walkway width	Sidewalk Volumes	Platoon Flow Rate (ped/min/ft)	Platoon Level of Service	Still Impact?
<b>Eighth Ave @ 34th St</b>	1	11	15	92	5	B	11	15	110	5	B				92	5	B	
	2	11	15	226	5	B	11	15	246	5	B				228	5	B	
	3	19	22	394	5	B	19	22	510	6	B				443	6	B	
	4	19	22	210	5	B	19	22	764	7	B				498	6	B	
	5	12	15	85	4	B	12	15	209	5	B				193	5	B	
	6	11	15	266	6	B	11	15	367	6	B				407	6	B	
	7	12	22	87	4	B	12	22	549	7	B				215	5	B	
	8	18	22	164	5	B	18	22	334	5	B				220	5	B	
<b>Sixth Ave @ 34th St</b>	1	0	0	0	N/A	N/A	0	0	0	N/A	N/A				0	N/A	N/A	
	2	10	17	297	6	B	10	17	297	6	B				297	6	B	
	3	20	23	628	6	B	20	23	630	6	B				630	6	B	
	4	18	23	485	6	B	18	23	487	6	B				487	6	B	
	5	14	17	404	6	B	14	17	404	6	B				404	6	B	
	6	0	0	0	N/A	N/A	0	0	0	N/A	N/A				0	N/A	N/A	
	7	0	0	0	N/A	N/A	0	0	0	N/A	N/A				0	N/A	N/A	
	8	0	0	0	N/A	N/A	0	0	0	N/A	N/A				0	N/A	N/A	
<b>Broadway @ 34th St</b>	1	25	30	473	5	B	25	30	482	5	B				473	5	B	
	2	0	0	0	N/A	N/A	0	0	0	N/A	N/A				0	N/A	N/A	
	3	0	0	0	N/A	N/A	0	0	0	N/A	N/A				0	N/A	N/A	
	4	0	0	0	N/A	N/A	0	0	0	N/A	N/A				0	N/A	N/A	
	5	0	0	0	N/A	N/A	0	0	0	N/A	N/A				0	N/A	N/A	
	6	25	30	584	6	B	25	30	584	6	B				584	6	B	
	7	18	23	843	7	B	18	23	868	7	B				868	7	B	
	8	18	23	665	6	B	18	23	700	7	B				681	7	B	
<b>Blvd @ 33rd St</b>	1	0	0	0	N/A	N/A	10	10	90	5	B				56	4	B	
	2	0	0	0	N/A	N/A	10	13	61	4	B				23	4	B	
	3	0	0	0	N/A	N/A	10	13	836	10	C				518	7	B	
	4	0	0	0	N/A	N/A	10	13	2577	21	E				3289	11	D	
	5	0	0	0	N/A	N/A	0	0	0	N/A	N/A	30	35	0	N/A	N/A		
	6	0	0	0	N/A	N/A	0	0	0	N/A	N/A				0	N/A	N/A	
	7	0	0	0	N/A	N/A	10	13	3048	24	E				0	N/A	N/A	
	8	0	0	0	N/A	N/A	10	13	686	9	C			30	35	2439	9	C
														462	7	B		
<b>Blvd @ 34th St</b>	1	0	0	0	N/A	N/A	15	18	12	4	B				12	4	B	
	2	0	0	0	N/A	N/A	10	13	5	4	B				5	4	B	
	3	0	0	0	N/A	N/A	17	20	238	5	B				185	5	B	
	4	0	0	0	N/A	N/A	17	20	447	6	B				262	5	B	
	5	0	0	0	N/A	N/A	10	13	61	4	B				22	4	B	
	6	0	0	0	N/A	N/A	10	13	113	5	B				80	5	B	
	7	0	0	0	N/A	N/A	17	20	506	6	B				212	5	B	
	8	0	0	0	N/A	N/A	26	30	213	5	B				179	4	B	

## Appendix S.5.3

### Pedestrian Improvement Analysis - Sidewalks Level of Service

#### 2010 Future Conditions (SUN)

Intersection	Walkway Location	2010 Future without the Proposed Action					2010 Future with the Proposed Action						2010 Future with the Proposed Action (Improvement)					
		Effective Walkway width	Actual walkway width	Sidewalk Volumes	Platoon Flow Rate (ped/min/ft)	Platoon Level of Service	Effective Walkway width	Actual walkway width	Sidewalk Volumes	Platoon Flow Rate (ped/min/ft)	Platoon Level of Service	Impact?	Proposed Effective Walkway width	Proposed Actual walkway width	Sidewalk Volumes	Platoon Flow Rate (ped/min/ft)	Platoon Level of Service	Still Impact?
<b>Twelfth Ave @ 30th St</b>	1	13	15	0	4	B	13	15	46	4	B				46	4	B	
	2	9	11	7	4	B	9	11	7	4	B				7	4	B	
	3	10	13	3	4	B	10	13	3	4	B		30	35	3	4	B	
	4	10	13	2	4	B	10	13	2	4	B				2	4	B	
	5	12	15	0	4	B	12	15	0	4	B				0	4	B	
	6	13	15	0	4	B	13	15	46	4	B				46	4	B	
	7	0	0	0	N/A	N/A	0	0	0	N/A	N/A				0	N/A	N/A	
	8	0	0	0	N/A	N/A	0	0	0	N/A	N/A				0	N/A	N/A	
<b>Twelfth Ave @ 34th St</b>	1	13	15	0	4	B	13	15	1111	10	C				1111	10	C	
	2	9	12	9	4	B	9	12	615	9	C				615	9	C	
	3	15	18	3	4	B	15	18	3	4	B				3	4	B	
	4	15	18	121	5	B	15	18	1805	12	D				628	7	B	
	5	9	12	5	4	B	9	12	5	4	B				5	4	B	
	6	13	15	0	4	B	13	15	35	4	B				35	4	B	
	7	0	0	0	N/A	N/A	0	0	0	N/A	N/A				0	N/A	N/A	
	8	0	0	0	N/A	N/A	0	0	0	N/A	N/A				0	N/A	N/A	
<b>Eleventh Ave @ 30th St</b>	1	12	15	8	4	B	12	15	16	4	B				16	4	B	
	2	12	15	50	4	B	12	15	70	4	B				70	4	B	
	3	10	13	46	4	B	10	13	1246	12	D		30	35	1790	8	C	
	4	10	13	8	4	B	10	13	132	5	B				258	6	B	
	5	12	15	62	4	B	12	15	208	5	B				82	4	B	
	6	12	15	18	4	B	12	15	340	6	B				26	4	B	
	7	10	13	2	4	B	10	13	2	4	B				2	4	B	
	8	10	13	0	4	B	10	13	0	4	B		30	35	0	4	B	
<b>Eleventh Ave @ 33rd St</b>	1	12	15	2	4	B	12	15	3970	26	F	Yes			2563	18	E	Yes
	2	12	15	74	4	B	12	15	614	7	B				614	7	B	
	3	10	13	53	4	B	10	13	920	10	C				750	9	C	
	4	10	13	2	4	B	10	13	2988	24	E	Yes	30	35	2291	9	C	
	5	12	15	27	4	B	12	15	47	4	B				47	4	B	
	6	12	15	1	4	B	12	15	9	4	B				9	4	B	
	7	10	13	2	4	B	0	0	0	N/A	N/A				0	N/A	N/A	
	8	10	13	1	4	B	0	0	0	N/A	N/A				0	N/A	N/A	
<b>Eleventh Ave @ 34th St</b>	1	13	15	24	4	B	13	15	1083	10	C				1053	9	C	
	2	9	12	58	4	B	14	17	1178	10	C				1175	10	C	
	3	17	20	106	4	B	26	30	381	5	B				354	5	B	
	4	17	20	76	4	B	17	20	670	7	B				403	6	B	
	5	12	15	68	4	B	12	15	628	7	B				628	7	B	
	6	12	15	2	4	B	12	15	3970	26	F	Yes			2664	19	E	Yes
	7	17	20	122	4	B	17	20	1806	11	D				629	6	B	
	8	17	20	14	4	B	17	20	14	4	B				14	4	B	
<b>Eleventh Ave @ 39th St</b>	1	11	14	7	4	B	11	14	223	5	B				223	5	B	
	2	7	10	1	4	B	7	10	471	8	C				471	8	C	
	3	9	12	4	4	B	9	12	135	5	B				135	5	B	
	4	8	11	97	5	B	8	11	305	7	B				305	7	B	
	5	7	10	1	4	B	7	10	664	10	C				664	10	C	
	6	12	15	19	4	B	12	15	310	6	B				340	6	B	
	7	10	13	85	5	B	0	0	0	N/A	N/A				0	N/A	N/A	
	8	12	15	0	4	B	0	0	0	N/A	N/A				0	N/A	N/A	

## Appendix S.5.3

### Pedestrian Improvement Analysis - Sidewalks Level of Service

#### 2010 Future Conditions (SUN)

Intersection	Walkway Location	2010 Future without the Proposed Action					2010 Future with the Proposed Action						2010 Future with the Proposed Action (Improvement)					
		Effective Walkway width	Actual walkway width	Sidewalk Volumes	Platoon Flow Rate (ped/min/ft)	Platoon Level of Service	Effective Walkway width	Actual walkway width	Sidewalk Volumes	Platoon Flow Rate (ped/min/ft)	Platoon Level of Service	Impact?	Proposed Effective Walkway width	Proposed Actual walkway width	Sidewalk Volumes	Platoon Flow Rate (ped/min/ft)	Platoon Level of Service	Still Impact?
<b>Eleventh Ave @ 42nd St</b>	1	13	16	39	4	B	13	16	159	5	B				159	5	B	
	2	13	16	31	4	B	13	16	108	5	B				108	5	B	
	3	12	15	223	5	B	12	15	382	6	B				382	6	B	
	4	12	15	183	5	B	12	15	296	6	B				296	6	B	
	5	12	16	8	4	B	12	16	161	5	B				161	5	B	
	6	12	15	67	4	B	12	15	171	5	B				171	5	B	
	7	12	16	181	5	B	12	16	181	5	B				181	5	B	
	8	12	16	158	5	B	12	16	328	6	B				328	6	B	
<b>Tenth Ave @ 30th St</b>	1	13	16	60	4	B	13	16	2142	15	D				1249	10	C	
	2	12	15	62	4	B	12	15	482	7	B				109	5	B	
	3	10	13	68	4	B	10	13	1163	12	D				549	8	C	
	4	12	15	32	4	B	12	15	165	5	B				188	5	B	
	5	12	15	47	4	B	12	15	73	4	B				50	4	B	
	6	12	15	85	4	B	12	15	100	5	B				100	5	B	
	7	11	14	34	4	B	11	14	111	5	B				111	5	B	
	8	11	14	53	4	B	11	14	3721	27	F	Yes	31	36	1840	8	C	
<b>Tenth Ave @ 31st St</b>	1	12	15	45	4	B	12	15	861	9	C				2003	15	D	
	2	12	15	37	4	B	12	15	807	8	C				1260	11	D	
	3	11	13	56	4	B	11	13	1679	14	D				737	8	C	
	4	11	13	12	4	B	11	13	962	10	C				420	7	B	
	5	12	15	67	4	B	12	15	471	7	B				98	5	B	
	6	12	15	48	4	B	12	15	2130	16	E	Yes			1237	11	D	
	7	0	0	0	N/A	N/A	0	0	0	N/A	N/A				0	N/A	N/A	
	8	0	0	0	N/A	N/A	0	0	0	N/A	N/A				0	N/A	N/A	
<b>Tenth Ave @ 33rd St</b>	1	12	15	55	4	B	12	15	221	5	B				178	5	B	
	2	12	15	47	4	B	12	15	197	5	B				146	5	B	
	3	10	13	69	4	B	10	13	834	10	C				681	9	C	
	4	10	13	128	5	B	10	13	2559	21	E	Yes	30	35	5174	15	D	
	5	12	15	35	4	B	12	15	822	9	C				1274	11	D	
	6	12	15	46	4	B	12	15	864	9	C				1240	11	D	
	7	10	13	58	4	B	10	13	2606	21	E	Yes	30	35	3274	11	D	
	8	10	13	70	4	B	10	13	1100	11	D				841	10	C	
<b>Tenth Ave @ 34th St</b>	1	12	15	38	4	B	12	15	236	5	B				236	5	B	
	2	12	15	32	4	B	12	15	165	5	B				165	5	B	
	3	17	20	105	4	B	17	20	239	5	B				172	5	B	
	4	17	20	88	4	B	17	20	514	6	B				274	5	B	
	5	12	15	48	4	B	12	15	200	5	B				150	5	B	
	6	12	15	34	4	B	12	15	203	5	B				161	5	B	
	7	17	20	71	4	B	17	20	471	6	B				299	5	B	
	8	17	20	88	4	B	17	20	321	5	B				278	5	B	
<b>Ninth Ave @ 30th St</b>	1	14	16	174	5	B	14	16	438	6	B				215	5	B	
	2	8	15	269	6	B	8	15	524	8	C				343	7	B	
	3	6	13	60	5	B	6	13	550	10	C				339	8	C	
	4	10	13	97	5	B	10	13	290	6	B				313	6	B	
	5	13	16	164	5	B	13	16	207	5	B				184	5	B	
	6	13	16	163	5	B	13	16	206	5	B				183	5	B	
	7	11	14	160	5	B	11	14	295	6	B				295	6	B	
	8	10	12	81	5	B	10	12	1180	12	D				565	8	C	

## Appendix S.5.3

### Pedestrian Improvement Analysis - Sidewalks Level of Service

#### 2010 Future Conditions (SUN)

Intersection	Walkway Location	2010 Future without the Proposed Action					2010 Future with the Proposed Action						2010 Future with the Proposed Action (Improvement)						
		Effective Walkway width	Actual walkway width	Sidewalk Volumes	Platoon Flow Rate (ped/min/ft)	Platoon Level of Service	Effective Walkway width	Actual walkway width	Sidewalk Volumes	Platoon Flow Rate (ped/min/ft)	Platoon Level of Service	Impact?	Proposed Effective Walkway width	Proposed Actual walkway width	Sidewalk Volumes	Platoon Flow Rate (ped/min/ft)	Platoon Level of Service	Still Impact?	
<b>Ninth Ave @ 31st St</b>	1	12	15	31	4	B	12	15	81	4	B				161	5	B		
	2	10	13	118	5	B	10	13	684	9	C				128	5	B		
	3	10	13	429	7	B	10	13	2337	20	E	Yes				1352	13	D	
	4	10	13	21	4	B	10	13	574	8	C				147	5	B		
	5	12	15	195	5	B	12	15	459	7	B				278	6	B		
	6	12	15	115	5	B	12	15	365	6	B				142	5	B		
	7	10	13	11	4	B	10	13	963	10	C				421	7	B		
	8	10	13	101	5	B	10	13	1671	15	D				729	9	C		
<b>Ninth Ave @ 33rd St</b>	1	12	15	65	4	B	12	15	214	5	B				154	5	B		
	2	12	15	301	6	B	12	15	491	7	B				443	6	B		
	3	10	13	78	5	B	10	13	567	8	C				548	8	C		
	4	10	13	394	7	B	10	13	3342	26	F	Yes	30	35	5398	16	E	Yes	
	5	12	15	88	4	B	12	15	648	8	C				92	5	B		
	6	12	15	32	4	B	12	15	75	4	B				155	5	B		
	7	10	13	138	5	B	10	13	2501	21	E	Yes	30	35	5060	15	D		
	8	10	13	79	5	B	10	13	801	9	C				647	8	C		
<b>Ninth Ave @ 34th St</b>	1	11	15	89	5	B	11	15	155	5	B				155	5	B		
	2	12	15	200	5	B	12	15	237	5	B				237	5	B		
	3	19	23	208	5	B	19	23	359	5	B				266	5	B		
	4	19	23	257	5	B	19	23	813	7	B				491	6	B		
	5	12	15	332	6	B	12	15	517	7	B				469	7	B		
	6	12	15	73	4	B	12	15	223	5	B				163	5	B		
	7	16	20	146	5	B	16	20	575	6	B				335	5	B		
	8	15	20	120	5	B	15	20	258	5	B				191	5	B		
<b>Eighth Ave @ 30th St</b>	1	11	14	244	5	B	11	14	393	6	B				286	6	B		
	2	11	15	242	5	B	11	15	526	7	B				449	7	B		
	3	9	13	72	5	B	9	13	112	5	B				84	5	B		
	4	11	14	33	4	B	11	14	41	4	B				179	5	B		
	5	12	15	145	5	B	12	15	340	6	B				203	5	B		
	6	11	14	142	5	B	11	14	311	6	B				173	5	B		
	7	10	14	72	4	B	10	14	269	6	B				269	6	B		
	8	10	13	100	5	B	10	13	594	8	C				383	7	B		
<b>Eighth Ave @ 31st St</b>	1	12	16	171	5	B	12	16	230	5	B				187	5	B		
	2	18	24	271	5	B	18	24	496	6	B				444	6	B		
	3	35	49	307	5	B	35	49	951	6	B				495	5	B		
	4	10	14	39	4	B	10	14	396	7	B				282	6	B		
	5	12	15	208	5	B	12	15	485	7	B				408	6	B		
	6	12	15	163	5	B	12	15	322	6	B				215	5	B		
	7	10	13	23	4	B	10	13	580	8	C				154	5	B		
	8	21	24	222	5	B	21	24	1669	9	C				917	7	B		
<b>Eighth Ave @ 33rd St</b>	1	12	15	557	7	B	12	15	699	8	C				736	8	C		
	2	12	19	551	7	B	12	19	801	8	C				775	8	C		
	3	10	17	225	6	B	10	17	350	6	B				352	6	B		
	4	30	43	432	5	B	30	43	700	6	B				1395	7	B		
	5	30	43	180	4	B	30	43	410	5	B				358	5	B		
	6	12	16	237	5	B	12	16	289	6	B				246	5	B		
	7	13	24	475	6	B	13	24	2698	18	E	Yes	33	46	3824	12	D		
	8	7	14	161	6	B	7	14	561	9	C				543	9	C		

### Appendix S.5.3

#### Pedestrian Improvement Analysis - Sidewalks Level of Service

##### 2010 Future Conditions (SUN)

Intersection	Walkway Location	2010 Future without the Proposed Action					2010 Future with the Proposed Action						2010 Future with the Proposed Action (Improvement)					
		Effective Walkway width	Actual walkway width	Sidewalk Volumes	Platoon Flow Rate (ped/min/ft)	Platoon Level of Service	Effective Walkway width	Actual walkway width	Sidewalk Volumes	Platoon Flow Rate (ped/min/ft)	Platoon Level of Service	Impact?	Proposed Effective Walkway width	Proposed Actual walkway width	Sidewalk Volumes	Platoon Flow Rate (ped/min/ft)	Platoon Level of Service	Still Impact?
<b>Eighth Ave @ 34th St</b>	1	11	15	322	6	B	11	15	373	6	B				359	6	B	
	2	11	15	452	7	B	11	15	561	7	B				547	7	B	
	3	19	22	583	6	B	19	22	692	6	B				636	6	B	
	4	19	22	440	6	B	19	22	1063	8	C				787	7	B	
	5	12	15	374	6	B	12	15	619	7	B				594	7	B	
	6	11	15	433	7	B	11	15	569	7	B				606	8	C	
	7	12	22	457	7	B	12	22	980	9	C				658	8	C	
	8	18	22	286	5	B	18	22	433	6	B				340	5	B	
<b>Sixth Ave @ 34th St</b>	1	0	0	0	N/A	N/A	0	0	0	N/A	N/A				0	N/A	N/A	
	2	10	17	759	9	C	10	17	759	9	C				759	9	C	
	3	20	23	541	6	B	20	23	557	6	B				557	6	B	
	4	18	23	736	7	B	18	23	752	7	B				752	7	B	
	5	14	17	390	6	B	14	17	390	6	B				390	6	B	
	6	0	0	0	N/A	N/A	0	0	0	N/A	N/A				0	N/A	N/A	
	7	0	0	0	N/A	N/A	0	0	0	N/A	N/A				0	N/A	N/A	
	8	0	0	0	N/A	N/A	0	0	0	N/A	N/A				0	N/A	N/A	
<b>Broadway @ 34th St</b>	1	25	30	814	6	B	25	30	844	6	B				836	6	B	
	2	0	0	0	N/A	N/A	0	0	0	N/A	N/A				0	N/A	N/A	
	3	0	0	0	N/A	N/A	0	0	0	N/A	N/A				0	N/A	N/A	
	4	0	0	0	N/A	N/A	0	0	0	N/A	N/A				0	N/A	N/A	
	5	0	0	0	N/A	N/A	0	0	0	N/A	N/A				0	N/A	N/A	
	6	25	30	1054	7	B	25	30	1077	7	B				1077	7	B	
	7	18	23	1081	8	C	18	23	1121	8	C				1121	8	C	
	8	18	23	1002	8	C	18	23	1048	8	C				1031	8	C	
<b>Blvd @ 33rd St</b>	1	0	0	0	N/A	N/A	10	10	132	5	B				102	5	B	
	2	0	0	0	N/A	N/A	10	13	93	5	B				57	4	B	
	3	0	0	0	N/A	N/A	10	13	1086	11	D				826	10	C	
	4	0	0	0	N/A	N/A	10	13	2598	21	E				3266	11	D	
	5	0	0	0	N/A	N/A	0	0	0	N/A	N/A	30	35	0	N/A	N/A		
	6	0	0	0	N/A	N/A	0	0	0	N/A	N/A				0	N/A	N/A	
	7	0	0	0	N/A	N/A	10	13	2986	24	E				2289	9	C	
	8	0	0	0	N/A	N/A	10	13	921	10	C				751	9	C	
<b>Blvd @ 34th St</b>	1	0	0	0	N/A	N/A	15	18	58	4	B				58	4	B	
	2	0	0	0	N/A	N/A	10	13	29	4	B				29	4	B	
	3	0	0	0	N/A	N/A	17	20	362	5	B				319	5	B	
	4	0	0	0	N/A	N/A	17	20	461	6	B				290	5	B	
	5	0	0	0	N/A	N/A	10	13	90	5	B				53	4	B	
	6	0	0	0	N/A	N/A	10	13	95	5	B				65	4	B	
	7	0	0	0	N/A	N/A	17	20	655	7	B				387	6	B	
	8	0	0	0	N/A	N/A	26	30	364	5	B				337	5	B	



## Appendix S.5.3

### Pedestrian Improvement Analysis - Sidewalks Level of Service

#### 2025 Future Conditions (AM)

Intersection	Walkway Location	2025 Future without the Proposed Action					2025 Future with the Proposed Action						2025 Future with the Proposed Action (Improvement)					
		Effective Walkway width	Actual walkway width	Sidewalk Volumes	Platoon Flow Rate (ped/min/ft)	Platoon Level of Service	Effective Walkway width	Actual walkway width	Sidewalk Volumes	Platoon Flow Rate (ped/min/ft)	Platoon Level of Service	Impact?	Proposed Effective Walkway width	Proposed Actual walkway width	Sidewalk Volumes	Platoon Flow Rate (ped/min/ft)	Platoon Level of Service	Still Impact?
Twelfth Ave @ 30th St	1	0	0	0	N/A	N/A	0	0	0	N/A	N/A				0	N/A	N/A	
	2	9	11	0	4	B	9	11	0	4	B				0	4	B	
	3	10	13	0	4	B	10	13	0	4	B				0	4	B	
	4	10	13	2	4	B	10	13	2	4	B				2	4	B	
	5	12	15	4	4	B	12	15	4	4	B				4	4	B	
	6	0	0	0	N/A	N/A	0	0	0	N/A	N/A				0	N/A	N/A	
	7	0	0	0	N/A	N/A	0	0	0	N/A	N/A				0	N/A	N/A	
	8	0	0	0	N/A	N/A	0	0	0	N/A	N/A				0	N/A	N/A	
Twelfth Ave @ 34th St	1	0	0	0	N/A	N/A	0	0	0	N/A	N/A				0	N/A	N/A	
	2	9	12	0	4	B	9	12	3	4	B				3	4	B	
	3	15	18	14	4	B	15	18	15	4	B				15	4	B	
	4	15	18	47	4	B	15	18	51	4	B				51	4	B	
	5	9	12	0	4	B	9	12	0	4	B				0	4	B	
	6	0	0	0	N/A	N/A	0	0	0	N/A	N/A				0	N/A	N/A	
	7	0	0	0	N/A	N/A	0	0	0	N/A	N/A				0	N/A	N/A	
	8	0	0	0	N/A	N/A	0	0	0	N/A	N/A				0	N/A	N/A	
Twelfth Ave @ 39th St	1	0	0	0	N/A	N/A	0	0	0	N/A	N/A				0	N/A	N/A	
	2	10	13	0	4	B	10	13	0	4	B				0	4	B	
	3	10	13	0	4	B	0	0	0	N/A	N/A				0	N/A	N/A	
	4	10	13	27	4	B	0	0	0	N/A	N/A				0	N/A	N/A	
	5	15	18	3	4	B	15	18	6	4	B				6	4	B	
	6	0	0	0	N/A	N/A	0	0	0	N/A	N/A				0	N/A	N/A	
	7	0	0	0	N/A	N/A	0	0	0	N/A	N/A				0	N/A	N/A	
	8	0	0	0	N/A	N/A	0	0	0	N/A	N/A				0	N/A	N/A	
Twelfth Ave @ 40th St	1	0	0	0	N/A	N/A	0	0	0	N/A	N/A				0	N/A	N/A	
	2	10	13	0	4	B	10	13	0	4	B				0	4	B	
	3	9	11	0	4	B	0	0	0	N/A	N/A				0	N/A	N/A	
	4	9	12	0	4	B	0	0	0	N/A	N/A				0	N/A	N/A	
	5	11	14	0	4	B	11	14	0	4	B				0	4	B	
	6	0	0	0	N/A	N/A	0	0	0	N/A	N/A				0	N/A	N/A	
	7	0	0	0	N/A	N/A	0	0	0	N/A	N/A				0	N/A	N/A	
	8	0	0	0	N/A	N/A	0	0	0	N/A	N/A				0	N/A	N/A	
Twelfth Ave @ 42nd St	1	0	0	0	N/A	N/A	0	0	0	N/A	N/A				0	N/A	N/A	
	2	17	20	15	4	B	17	20	9	4	B				9	4	B	
	3	12	15	60	4	B	12	15	52	4	B				52	4	B	
	4	23	26	72	4	B	23	26	76	4	B				76	4	B	
	5	17	20	5	4	B	17	20	5	4	B				5	4	B	
	6	0	0	0	N/A	N/A	0	0	0	N/A	N/A				0	N/A	N/A	
	7	0	0	0	N/A	N/A	0	0	0	N/A	N/A				0	N/A	N/A	
	8	0	0	0	N/A	N/A	0	0	0	N/A	N/A				0	N/A	N/A	
Eleventh Ave @ 29th St	1	12	15	5	4	B	12	15	104	5	B				104	5	B	
	2	12	15	22	4	B	12	15	161	5	B				161	5	B	
	3	10	13	7	4	B	10	13	36	4	B				36	4	B	
	4	10	13	12	4	B	10	13	22	4	B				22	4	B	
	5	12	15	30	4	B	12	15	141	5	B				141	5	B	
	6	12	15	3	4	B	12	15	90	5	B				90	5	B	
	7	10	13	0	4	B	10	13	0	4	B				0	4	B	
	8	10	13	0	4	B	10	13	0	4	B				0	4	B	

## Appendix S.5.3

### Pedestrian Improvement Analysis - Sidewalk Level of Service

#### 2025 Future Conditions (AM)

Intersection	Walkway Location	2025 Future without the Proposed Action					2025 Future with the Proposed Action						2025 Future with the Proposed Action (Improvement)					
		Effective Walkway width	Actual walkway width	Sidewalk Volumes	Platoon Flow Rate (ped/min/ft)	Platoon Level of Service	Effective Walkway width	Actual walkway width	Sidewalk Volumes	Platoon Flow Rate (ped/min/ft)	Platoon Level of Service	Impact?	Proposed Effective Walkway width	Proposed Actual walkway width	Sidewalk Volumes	Platoon Flow Rate (ped/min/ft)	Platoon Level of Service	Still Impact?
<b>Eleventh Ave @ 30th St</b>	1	12	15	4	4	B	12	15	52	4	B			52	4	B		
	2	12	15	24	4	B	17	20	168	5	B			168	5	B		
	3	10	13	13	4	B	10	13	124	5	B			124	5	B		
	4	10	13	6	4	B	10	13	22	4	B			22	4	B		
	5	12	15	27	4	B	12	15	191	5	B			191	5	B		
	6	12	15	8	4	B	12	15	133	5	B			133	5	B		
	7	10	13	1	4	B	10	13	1	4	B			1	4	B		
	8	10	13	2	4	B	10	13	14	4	B			14	4	B		
<b>Eleventh Ave @ 33rd St</b>	1	12	15	10	4	B	12	15	134	5	B			134	5	B		
	2	12	15	30	4	B	17	20	215	5	B			215	5	B		
	3	10	13	15	4	B	15	18	89	4	B			89	4	B		
	4	10	13	2	4	B	10	13	131	5	B			131	5	B		
	5	12	15	16	4	B	17	20	231	5	B			231	5	B		
	6	12	15	6	4	B	12	15	45	4	B			45	4	B		
	7	10	13	5	4	B	0	0	0	N/A	N/A			0	N/A	N/A		
	8	10	13	1	4	B	0	0	0	N/A	N/A			0	N/A	N/A		
<b>Eleventh Ave @ 34th St</b>	1	13	15	5	4	B	13	15	179	5	B			179	5	B		
	2	9	12	19	4	B	14	17	288	5	B			288	5	B		
	3	17	20	39	4	B	26	30	134	4	B			134	4	B		
	4	17	20	23	4	B	26	30	111	4	B			111	4	B		
	5	12	15	43	4	B	17	20	273	5	B			273	5	B		
	6	12	15	0	4	B	12	15	159	5	B			159	5	B		
	7	17	20	53	4	B	17	20	57	4	B			57	4	B		
	8	17	20	27	4	B	17	20	28	4	B			28	4	B		
<b>Eleventh Ave @ 35th St</b>	1	16	19	7	4	B	16	19	74	4	B			74	4	B		
	2	14	15	17	4	B	14	15	593	7	B			593	7	B		
	3	12	14	0	4	B	20	24	146	4	B			146	4	B		
	4	12	14	2	4	B	17	19	94	4	B			94	4	B		
	5	8	11	12	4	B	13	16	523	7	B			523	7	B		
	6	12	15	7	4	B	12	15	182	5	B			182	5	B		
	7	0	0	0	N/A	N/A	0	0	0	N/A	N/A			0	N/A	N/A		
	8	0	0	0	N/A	N/A	0	0	0	N/A	N/A			0	N/A	N/A		
<b>Eleventh Ave @ 36th St</b>	1	12	15	6	4	B	12	15	104	5	B			104	5	B		
	2	7	9	13	4	B	12	15	801	8	C			801	8	C		
	3	10	13	0	4	B	18	22	243	5	B			243	5	B		
	4	8	10	5	4	B	15	18	371	6	B			371	6	B		
	5	12	15	12	4	B	18	20	1901	11	D			1901	11	D		
	6	13	17	10	4	B	13	17	77	4	B			77	4	B		
	7	0	0	0	N/A	N/A	0	0	0	N/A	N/A			0	N/A	N/A		
	8	0	0	0	N/A	N/A	0	0	0	N/A	N/A			0	N/A	N/A		
<b>Eleventh Ave @ 37th St</b>	1	12	15	1	4	B	12	15	53	4	B			53	4	B		
	2	7	10	10	4	B	12	15	406	6	B			406	6	B		
	3	9	12	0	4	B	18	22	272	5	B			272	5	B		
	4	9	12	1	4	B	14	17	53	4	B			53	4	B		
	5	7	10	10	4	B	12	15	612	7	B			612	7	B		
	6	12	15	0	4	B	12	15	96	5	B			96	5	B		
	7	0	0	0	N/A	N/A	0	0	0	N/A	N/A			0	N/A	N/A		
	8	0	0	0	N/A	N/A	0	0	0	N/A	N/A			0	N/A	N/A		

## Appendix S.5.3

### Pedestrian Improvement Analysis - Sidewalks Level of Service

#### 2025 Future Conditions (AM)

Intersection	Walkway Location	2025 Future without the Proposed Action					2025 Future with the Proposed Action						2025 Future with the Proposed Action (Improvement)					
		Effective Walkway width	Actual walkway width	Sidewalk Volumes	Platoon Flow Rate (ped/min/ft)	Platoon Level of Service	Effective Walkway width	Actual walkway width	Sidewalk Volumes	Platoon Flow Rate (ped/min/ft)	Platoon Level of Service	Impact?	Proposed Effective Walkway width	Proposed Actual walkway width	Sidewalk Volumes	Platoon Flow Rate (ped/min/ft)	Platoon Level of Service	Still Impact?
<b>Eleventh Ave @ 38th St</b>	1	12	15	3	4	B	12	15	65	4	B			65	4	B		
	2	7	10	1	4	B	12	15	172	5	B			172	5	B		
	3	8	11	4	4	B	18	22	62	4	B			62	4	B		
	4	8	11	1	4	B	14	17	91	4	B			91	4	B		
	5	7	10	8	4	B	12	15	185	5	B			185	5	B		
	6	12	15	0	4	B	12	15	52	4	B			52	4	B		
	7	0	0	0	N/A	N/A	0	0	0	N/A	N/A			0	N/A	N/A		
	8	0	0	0	N/A	N/A	0	0	0	N/A	N/A			0	N/A	N/A		
<b>Eleventh Ave @ 39th St</b>	1	11	14	86	5	B	11	14	197	5	B			197	5	B		
	2	7	10	3	4	B	12	15	178	5	B			178	5	B		
	3	9	12	0	4	B	9	12	11	4	B			11	4	B		
	4	8	11	32	4	B	15	18	110	4	B			110	4	B		
	5	7	10	10	4	B	12	15	266	5	B			266	5	B		
	6	12	15	45	4	B	12	15	107	5	B			107	5	B		
	7	10	13	27	4	B	0	0	0	N/A	N/A			0	N/A	N/A		
	8	12	15	1	4	B	0	0	0	N/A	N/A			0	N/A	N/A		
<b>Eleventh Ave @ 40th St</b>	1	12	15	30	4	B	12	15	99	5	B			99	5	B		
	2	7	10	5	4	B	12	15	157	5	B			157	5	B		
	3	10	13	3	4	B	14	18	106	5	B			106	5	B		
	4	10	13	1	4	B	15	18	3	4	B			3	4	B		
	5	7	10	0	4	B	12	15	171	5	B			171	5	B		
	6	12	15	17	4	B	12	15	128	5	B			128	5	B		
	7	10	13	1	4	B	0	0	0	N/A	N/A			0	N/A	N/A		
	8	10	13	12	4	B	0	0	0	N/A	N/A			0	N/A	N/A		
<b>Eleventh Ave @ 42nd St</b>	1	13	16	45	4	B	13	16	93	4	B			93	4	B		
	2	13	16	29	4	B	13	16	136	5	B			136	5	B		
	3	12	15	148	5	B	12	15	117	5	B			117	5	B		
	4	12	15	108	5	B	12	15	425	6	B			425	6	B		
	5	12	16	10	4	B	12	16	180	5	B			180	5	B		
	6	12	15	87	4	B	12	15	129	5	B			129	5	B		
	7	12	16	70	4	B	12	16	76	4	B			76	4	B		
	8	12	16	129	5	B	12	16	56	4	B			56	4	B		
<b>Tenth Ave @ 29th St</b>	1	12	15	59	4	B	12	15	357	6	B			357	6	B		
	2	12	15	30	4	B	12	15	129	5	B			129	5	B		
	3	10	13	35	4	B	10	13	64	4	B			64	4	B		
	4	10	13	31	4	B	10	13	60	4	B			60	4	B		
	5	12	15	25	4	B	12	15	109	5	B			109	5	B		
	6	12	15	94	5	B	12	15	322	6	B			322	6	B		
	7	10	13	35	4	B	10	13	48	4	B			48	4	B		
	8	10	13	20	4	B	10	13	31	4	B			31	4	B		
<b>Tenth Ave @ 30th St</b>	1	13	16	49	4	B	13	16	363	6	B			363	6	B		
	2	12	15	35	4	B	12	15	152	5	B			152	5	B		
	3	10	13	21	4	B	10	13	182	5	B			182	5	B		
	4	12	15	24	4	B	12	15	65	4	B			65	4	B		
	5	12	15	42	4	B	12	15	171	5	B			171	5	B		
	6	12	15	65	4	B	12	15	393	6	B			393	6	B		
	7	11	14	19	4	B	11	14	40	4	B			40	4	B		
	8	11	14	16	4	B	11	14	294	6	B			294	6	B		

## Appendix S.5.3

### Pedestrian Improvement Analysis - Sidewalk Level of Service

#### 2025 Future Conditions (AM)

Intersection	Walkway Location	2025 Future without the Proposed Action					2025 Future with the Proposed Action						2025 Future with the Proposed Action (Improvement)					
		Effective Walkway width	Actual walkway width	Sidewalk Volumes	Platoon Flow Rate (ped/min/ft)	Platoon Level of Service	Effective Walkway width	Actual walkway width	Sidewalk Volumes	Platoon Flow Rate (ped/min/ft)	Platoon Level of Service	Impact?	Proposed Effective Walkway width	Proposed Actual walkway width	Sidewalk Volumes	Platoon Flow Rate (ped/min/ft)	Platoon Level of Service	Still Impact?
<b>Tenth Ave @ 31st St</b>	1	12	15	43	4	B	12	15	793	8	C				793	8	C	
	2	12	15	50	4	B	12	15	178	5	B				178	5	B	
	3	11	13	32	4	B	11	13	533	7	B				533	7	B	
	4	11	13	13	4	B	11	13	114	5	B				114	5	B	
	5	12	15	50	4	B	12	15	202	5	B				202	5	B	
	6	12	15	49	4	B	12	15	368	6	B				368	6	B	
	7	0	0	0	N/A	N/A	0	0	0	N/A	N/A				0	N/A	N/A	
	8	0	0	0	N/A	N/A	0	0	0	N/A	N/A				0	N/A	N/A	
<b>Tenth Ave @ 33rd St</b>	1	12	15	66	4	B	12	15	952	9	C				952	9	C	
	2	12	15	47	4	B	12	15	393	6	B				393	6	B	
	3	10	13	43	4	B	10	13	758	9	C				758	9	C	
	4	10	13	73	4	B	10	13	1504	14	D				1504	14	D	
	5	12	15	35	4	B	12	15	260	5	B				260	5	B	
	6	12	15	46	4	B	12	15	706	8	C				706	8	C	
	7	10	13	42	4	B	10	13	1120	11	D				1120	11	D	
	8	10	13	32	4	B	15	18	723	7	B				723	7	B	
<b>Tenth Ave @ 34th St</b>	1	12	15	34	4	B	12	15	718	8	C				718	8	C	
	2	12	15	38	4	B	12	15	358	6	B				358	6	B	
	3	17	20	117	4	B	17	20	568	6	B				568	6	B	
	4	17	20	165	5	B	17	20	936	8	C				936	8	C	
	5	12	15	61	4	B	12	15	463	7	B				463	7	B	
	6	12	15	31	4	B	12	15	956	9	C				956	9	C	
	7	17	20	96	4	B	26	30	492	5	B				492	5	B	
	8	17	20	131	5	B	26	30	759	6	B				759	6	B	
<b>Tenth Ave @ 35th St</b>	1	13	16	18	4	B	13	16	541	7	B				541	7	B	
	2	13	15	10	4	B	13	15	328	6	B				328	6	B	
	3	12	15	50	4	B	12	15	507	7	B				507	7	B	
	4	7	9	24	4	B	7	9	450	8	C				450	8	C	
	5	13	15	5	4	B	13	15	326	6	B				326	6	B	
	6	11	15	28	4	B	11	15	749	9	C				749	9	C	
	7	10	13	32	4	B	15	18	267	5	B				267	5	B	
	8	12	14	35	4	B	20	24	515	6	B				515	6	B	
<b>Tenth Ave @ 36th St</b>	1	12	15	12	4	B	12	15	415	6	B				415	6	B	
	2	10	16	16	4	B	10	16	309	6	B				309	6	B	
	3	9	12	16	4	B	9	12	256	6	B				256	6	B	
	4	9	12	19	4	B	9	12	141	5	B				141	5	B	
	5	12	15	19	4	B	12	15	323	6	B				323	6	B	
	6	12	15	13	4	B	12	15	478	7	B				478	7	B	
	7	9	12	13	4	B	15	18	112	4	B				112	4	B	
	8	10	12	16	4	B	18	22	195	5	B				195	5	B	
<b>Tenth Ave @ 37th St</b>	1	5	15	12	4	B	12	15	387	6	B				387	6	B	
	2	5	15	31	4	B	5	15	375	9	C				375	9	C	
	3	9	12	25	4	B	9	12	278	6	B				278	6	B	
	4	9	12	35	4	B	9	12	208	6	B				208	6	B	
	5	12	15	22	4	B	12	15	307	6	B				307	6	B	
	6	12	15	7	4	B	12	15	429	6	B				429	6	B	
	7	9	12	18	4	B	14	17	99	4	B				99	4	B	
	8	9	12	16	4	B	18	22	300	5	B				300	5	B	

## Appendix S.5.3

### Pedestrian Improvement Analysis - Sidewalk Level of Service

#### 2025 Future Conditions (AM)

Intersection	Walkway Location	2025 Future without the Proposed Action					2025 Future with the Proposed Action						2025 Future with the Proposed Action (Improvement)					
		Effective Walkway width	Actual walkway width	Sidewalk Volumes	Platoon Flow Rate (ped/min/ft)	Platoon Level of Service	Effective Walkway width	Actual walkway width	Sidewalk Volumes	Platoon Flow Rate (ped/min/ft)	Platoon Level of Service	Impact?	Proposed Effective Walkway width	Proposed Actual walkway width	Sidewalk Volumes	Platoon Flow Rate (ped/min/ft)	Platoon Level of Service	Still Impact?
<b>Tenth Ave @ 38th St</b>	1	12	15	22	4	B	12	15	451	7	B			451	7	B		
	2	12	15	22	4	B	12	15	318	6	B			318	6	B		
	3	9	12	16	4	B	9	12	216	6	B			216	6	B		
	4	9	12	4	4	B	9	12	153	5	B			153	5	B		
	5	12	15	11	4	B	12	15	344	6	B			344	6	B		
	6	12	15	17	4	B	12	15	419	6	B			419	6	B		
	7	9	12	5	4	B	14	17	173	5	B			173	5	B		
	8	9	12	15	4	B	18	22	293	5	B			293	5	B		
<b>Tenth Ave @ 39th St</b>	1	12	15	11	4	B	12	15	478	7	B			478	7	B		
	2	12	15	20	4	B	12	15	508	7	B			508	7	B		
	3	9	12	15	4	B	9	12	88	5	B			88	5	B		
	4	9	12	24	4	B	9	12	181	5	B			181	5	B		
	5	12	15	28	4	B	12	15	297	6	B			297	6	B		
	6	12	15	14	4	B	12	15	470	7	B			470	7	B		
	7	10	13	15	4	B	15	18	226	5	B			226	5	B		
	8	7	10	15	4	B	7	10	233	6	B			233	6	B		
<b>Tenth Ave @ 40th St</b>	1	12	15	7	4	B	12	15	554	7	B			554	7	B		
	2	12	15	41	4	B	12	15	708	8	C			708	8	C		
	3	9	12	14	4	B	9	12	228	6	B			228	6	B		
	4	9	12	9	4	B	9	12	48	4	B			48	4	B		
	5	12	15	38	4	B	12	15	523	7	B			523	7	B		
	6	12	15	9	4	B	12	15	474	7	B			474	7	B		
	7	10	13	6	4	B	10	13	12	4	B			12	4	B		
	8	10	13	8	4	B	14	18	114	5	B			114	5	B		
<b>Tenth Ave @ 41st St</b>	1	12	15	45	4	B	12	15	332	6	B			332	6	B		
	2	14	16	64	4	B	14	16	393	6	B			393	6	B		
	3	8	10	69	5	B	8	10	108	5	B			108	5	B		
	4	12	14	6	4	B	12	14	123	5	B			123	5	B		
	5	13	16	32	4	B	13	16	1511	12	D			1511	12	D		
	6	8	10	19	4	B	8	10	586	9	C			586	9	C		
	7	13	17	0	4	B	13	17	297	6	B			297	6	B		
	8	9	12	65	4	B	9	12	94	5	B			94	5	B		
<b>Tenth Ave @ 42nd St</b>	1	17	20	26	4	B	17	20	153	5	B			153	5	B		
	2	17	22	69	4	B	17	22	208	5	B			208	5	B		
	3	18	21	289	5	B	18	21	357	5	B			357	5	B		
	4	12	20	176	5	B	12	20	884	9	C			884	9	C		
	5	8	16	55	4	B	8	16	298	6	B			298	6	B		
	6	13	16	60	4	B	13	16	321	6	B			321	6	B		
	7	13	15	102	5	B	13	15	529	7	B			529	7	B		
	8	13	15	247	5	B	13	15	256	5	B			256	5	B		
<b>Dyer @ 42nd St</b>	1	0	0	0	N/A	N/A	0	0	0	N/A	N/A			0	N/A	N/A		
	2	0	0	0	N/A	N/A	0	0	0	N/A	N/A			0	N/A	N/A		
	3	19	21	183	5	B	19	21	182	5	B			182	5	B		
	4	18	20	90	4	B	18	20	83	4	B			83	4	B		
	5	6	6	9	4	B	6	6	9	4	B			9	4	B		
	6	2	4	1	4	B	2	4	1	4	B			1	4	B		
	7	18	20	78	4	B	18	20	71	4	B			71	4	B		
	8	19	21	163	5	B	19	21	162	5	B			162	5	B		

## Appendix S.5.3

### Pedestrian Improvement Analysis - Sidewalks Level of Service

#### 2025 Future Conditions (AM)

Intersection	Walkway Location	2025 Future without the Proposed Action					2025 Future with the Proposed Action						2025 Future with the Proposed Action (Improvement)					
		Effective Walkway width	Actual walkway width	Sidewalk Volumes	Platoon Flow Rate (ped/min/ft)	Platoon Level of Service	Effective Walkway width	Actual walkway width	Sidewalk Volumes	Platoon Flow Rate (ped/min/ft)	Platoon Level of Service	Impact?	Proposed Effective Walkway width	Proposed Actual walkway width	Sidewalk Volumes	Platoon Flow Rate (ped/min/ft)	Platoon Level of Service	Still Impact?
<b>Ninth Ave @ 30th St</b>	1	14	16	258	5	B	14	16	316	6	B				316	6	B	
	2	8	15	216	6	B	8	15	288	6	B				288	6	B	
	3	6	13	57	5	B	6	13	95	5	B				95	5	B	
	4	10	13	78	5	B	10	13	113	5	B				113	5	B	
	5	13	16	112	5	B	13	16	249	5	B				249	5	B	
	6	13	16	130	5	B	13	16	243	5	B				243	5	B	
	7	11	14	308	6	B	11	14	339	6	B				339	6	B	
	8	10	12	36	4	B	10	12	187	5	B				187	5	B	
<b>Ninth Ave @ 31st St</b>	1	12	15	200	5	B	17	20	513	6	B				513	6	B	
	2	10	13	106	5	B	10	13	345	6	B				345	6	B	
	3	10	13	278	6	B	10	13	344	6	B				344	6	B	
	4	10	13	236	6	B	10	13	291	6	B				291	6	B	
	5	12	15	215	5	B	12	15	335	6	B				335	6	B	
	6	12	15	68	4	B	12	15	174	5	B				174	5	B	
	7	10	13	89	5	B	10	13	207	5	B				207	5	B	
	8	10	13	127	5	B	10	13	612	8	C				612	8	C	
<b>Ninth Ave @ 33rd St</b>	1	12	15	219	5	B	12	15	636	8	C				636	8	C	
	2	12	15	199	5	B	12	15	447	6	B				447	6	B	
	3	10	13	289	6	B	10	13	504	7	B				504	7	B	
	4	10	13	766	9	C	10	13	1147	12	D				1147	12	D	
	5	12	15	73	4	B	12	15	774	8	C				774	8	C	
	6	12	15	295	6	B	17	20	1107	8	C				1107	8	C	
	7	10	13	614	8	C	15	18	1917	13	D				1917	13	D	
	8	10	13	121	5	B	10	13	764	9	C				764	9	C	
<b>Ninth Ave @ 34th St</b>	1	11	15	158	5	B	11	15	362	6	B				362	6	B	
	2	12	15	200	5	B	12	15	353	6	B				353	6	B	
	3	19	23	258	5	B	19	23	567	6	B				567	6	B	
	4	19	23	268	5	B	19	23	666	6	B				666	6	B	
	5	12	15	175	5	B	12	15	433	6	B				433	6	B	
	6	12	15	184	5	B	12	15	495	7	B				495	7	B	
	7	16	20	220	5	B	16	20	1092	9	C				1092	9	C	
	8	15	20	163	5	B	15	20	580	7	B				580	7	B	
<b>Ninth Ave @ 37th St</b>	1	12	15	287	6	B	12	15	417	6	B				417	6	B	
	2	12	15	185	5	B	12	15	331	6	B				331	6	B	
	3	9	12	94	5	B	9	12	219	6	B				219	6	B	
	4	9	12	52	4	B	9	12	166	5	B				166	5	B	
	5	10	15	208	5	B	10	15	382	7	B				382	7	B	
	6	12	15	262	5	B	12	15	410	6	B				410	6	B	
	7	6	12	30	4	B	6	12	191	6	B				191	6	B	
	8	9	12	35	4	B	9	12	262	6	B				262	6	B	
<b>Ninth Ave @ 38th St</b>	1	10	15	70	4	B	10	15	129	5	B				129	5	B	
	2	8	15	125	5	B	8	15	396	7	B				396	7	B	
	3	8	11	28	4	B	8	11	80	5	B				80	5	B	
	4	8	11	39	4	B	8	11	218	6	B				218	6	B	
	5	10	15	166	5	B	10	15	290	6	B				290	6	B	
	6	12	15	45	4	B	12	15	168	5	B				168	5	B	
	7	8	11	20	4	B	8	11	148	5	B				148	5	B	
	8	8	11	8	4	B	8	11	184	6	B				184	6	B	

## Appendix S.5.3

### Pedestrian Improvement Analysis - Sidewalks Level of Service

#### 2025 Future Conditions (AM)

Intersection	Walkway Location	2025 Future without the Proposed Action					2025 Future with the Proposed Action						2025 Future with the Proposed Action (Improvement)					
		Effective Walkway width	Actual walkway width	Sidewalk Volumes	Platoon Flow Rate (ped/min/ft)	Platoon Level of Service	Effective Walkway width	Actual walkway width	Sidewalk Volumes	Platoon Flow Rate (ped/min/ft)	Platoon Level of Service	Impact?	Proposed Effective Walkway width	Proposed Actual walkway width	Sidewalk Volumes	Platoon Flow Rate (ped/min/ft)	Platoon Level of Service	Still Impact?
<b>Ninth Ave @ 39th St</b>	1	8	15	89	5	B	8	15	186	6	B				186	6	B	
	2	11	15	207	5	B	11	15	553	7	B				553	7	B	
	3	9	12	48	4	B	9	12	59	4	B				59	4	B	
	4	9	12	57	4	B	9	12	116	5	B				116	5	B	
	5	10	15	165	5	B	10	15	410	7	B				410	7	B	
	6	12	15	97	5	B	12	15	130	5	B				130	5	B	
	7	9	12	26	4	B	9	12	164	5	B				164	5	B	
	8	9	12	43	4	B	9	12	115	5	B				115	5	B	
<b>Ninth Ave @ 42nd St</b>	1	13	16	191	5	B	13	16	242	5	B				242	5	B	
	2	8	10	218	6	B	8	10	297	6	B				297	6	B	
	3	8	11	367	7	B	8	11	509	8	C				509	8	C	
	4	12	19	361	6	B	12	19	508	7	B				508	7	B	
	5	8	14	293	7	B	8	14	380	7	B				380	7	B	
	6	8	15	85	5	B	8	15	145	5	B				145	5	B	
	7	13	20	218	5	B	13	20	521	7	B				521	7	B	
	8	18	21	294	5	B	18	21	349	5	B				349	5	B	
<b>Eighth Ave @ 30th St</b>	1	11	14	205	5	B	11	14	317	6	B				317	6	B	
	2	11	15	381	6	B	11	15	645	8	C				645	8	C	
	3	9	13	52	4	B	9	13	117	5	B				117	5	B	
	4	11	14	78	4	B	11	14	99	5	B				99	5	B	
	5	12	15	181	5	B	12	15	363	6	B				363	6	B	
	6	11	14	176	5	B	11	14	260	6	B				260	6	B	
	7	10	14	47	4	B	10	14	88	5	B				88	5	B	
	8	10	13	78	5	B	10	13	104	5	B				104	5	B	
<b>Eighth Ave @ 31st St</b>	1	12	16	210	5	B	12	16	271	6	B				271	6	B	
	2	18	24	145	5	B	17	20	358	5	B				358	5	B	
	3	35	49	463	5	B	15	18	672	7	B				672	7	B	
	4	10	14	42	4	B	10	14	105	5	B				105	5	B	
	5	12	15	144	5	B	12	15	422	6	B				422	6	B	
	6	12	15	127	5	B	12	15	258	5	B				258	5	B	
	7	10	13	133	5	B	10	13	210	5	B				210	5	B	
	8	21	24	374	5	B	21	24	428	5	B				428	5	B	
<b>Eighth Ave @ 33rd St</b>	1	12	15	855	9	C	12	15	986	9	C				986	9	C	
	2	12	19	350	6	B	12	19	763	8	C				763	8	C	
	3	10	17	494	7	B	10	17	628	8	C				628	8	C	
	4	30	43	635	5	B	15	18	946	8	C				946	8	C	
	5	30	43	381	5	B	17	20	782	7	B				782	7	B	
	6	12	16	349	6	B	12	16	415	6	B				415	6	B	
	7	13	24	739	8	C	13	24	921	9	C				921	9	C	
	8	7	14	595	10	C	7	14	829	12	D				829	12	D	
<b>Eighth Ave @ 34th St</b>	1	11	15	321	6	B	11	15	503	7	B				503	7	B	
	2	11	15	275	6	B	11	15	504	7	B				504	7	B	
	3	19	22	350	5	B	19	22	428	6	B				428	6	B	
	4	19	22	283	5	B	19	22	411	5	B				411	5	B	
	5	12	15	243	5	B	12	15	703	8	C				703	8	C	
	6	11	15	471	7	B	11	15	593	8	C				593	8	C	
	7	12	22	209	5	B	12	22	590	7	B				590	7	B	
	8	18	22	571	6	B	18	22	853	7	B				853	7	B	

## Appendix S.5.3

### Pedestrian Improvement Analysis - Sidewalk Level of Service

#### 2025 Future Conditions (AM)

Intersection	Walkway Location	2025 Future without the Proposed Action					2025 Future with the Proposed Action						2025 Future with the Proposed Action (Improvement)					
		Effective Walkway width	Actual walkway width	Sidewalk Volumes	Platoon Flow Rate (ped/min/ft)	Platoon Level of Service	Effective Walkway width	Actual walkway width	Sidewalk Volumes	Platoon Flow Rate (ped/min/ft)	Platoon Level of Service	Impact?	Proposed Effective Walkway width	Proposed Actual walkway width	Sidewalk Volumes	Platoon Flow Rate (ped/min/ft)	Platoon Level of Service	Still Impact?
<b>Eighth Ave @ 37th St</b>	1	8	15	524	8	C	8	15	560	9	C				560	9	C	
	2	12	15	460	7	B	12	15	504	7	B				504	7	B	
	3	9	12	147	5	B	9	12	176	5	B				176	5	B	
	4	6	12	83	5	B	6	12	114	5	B				114	5	B	
	5	9	15	376	7	B	9	15	442	7	B				442	7	B	
	6	9	15	491	8	C	9	15	527	8	C				527	8	C	
	7	5	12	77	5	B	5	12	163	6	B				163	6	B	
	8	10	13	64	4	B	10	13	152	5	B				152	5	B	
<b>Eighth Ave @ 38th St</b>	1	8	15	311	7	B	8	15	345	7	B				345	7	B	
	2	10	15	334	6	B	10	15	373	6	B				373	6	B	
	3	5	12	157	6	B	5	12	187	6	B				187	6	B	
	4	9	12	67	4	B	9	12	101	5	B				101	5	B	
	5	8	15	183	6	B	8	15	194	6	B				194	6	B	
	6	10	15	354	6	B	10	15	357	6	B				357	6	B	
	7	8	11	48	4	B	8	11	179	5	B				179	5	B	
	8	8	11	91	5	B	8	11	123	5	B				123	5	B	
<b>Eighth Ave @ 39th St</b>	1	12	15	697	8	C	12	15	653	8	C				653	8	C	
	2	11	15	1452	13	D	11	15	1498	13	D				1498	13	D	
	3	8	12	305	7	B	8	12	300	7	B				300	7	B	
	4	9	12	189	5	B	9	12	220	6	B				220	6	B	
	5	12	15	605	7	B	12	15	637	8	C				637	8	C	
	6	12	15	848	9	C	12	15	874	9	C				874	9	C	
	7	9	12	153	5	B	9	12	211	6	B				211	6	B	
	8	9	12	132	5	B	9	12	124	5	B				124	5	B	
<b>Eighth Ave @ 42nd St</b>	1	7	15	818	12	D	7	15	798	12	D				798	12	D	
	2	16	16	640	7	B	16	16	643	7	B				643	7	B	
	3	15	23	448	6	B	15	23	511	6	B				511	6	B	
	4	14	16	1376	11	D	14	16	1414	11	D				1414	11	D	
	5	7	12	740	11	D	7	12	739	11	D				739	11	D	
	6	12	29	899	9	C	12	29	909	9	C				909	9	C	
	7	12	34	485	7	B	12	34	639	8	C				639	8	C	
	8	12	20	767	8	C	12	20	898	9	C				898	9	C	
<b>Seventh Ave @ 31st St</b>	1	19	23	608	6	B	19	23	694	6	B				694	6	B	
	2	19	23	986	7	B	19	23	1010	8	C				1010	8	C	
	3	10	13	623	8	C	10	13	729	9	C				729	9	C	
	4	10	13	306	6	B	10	13	316	6	B				316	6	B	
	5	17	20	479	6	B	17	20	558	6	B				558	6	B	
	6	16	20	863	8	C	16	20	919	8	C				919	8	C	
	7	10	13	175	5	B	10	13	208	5	B				208	5	B	
	8	15	18	370	6	B	15	18	518	6	B				518	6	B	
<b>Seventh Ave @ 33rd St</b>	1	16	20	628	7	B	16	20	799	7	B				799	7	B	
	2	15	20	734	7	B	15	20	771	7	B				771	7	B	
	3	7	13	500	9	C	7	13	568	9	C				568	9	C	
	4	10	13	670	8	C	10	13	763	9	C				763	9	C	
	5	15	20	632	7	B	15	20	649	7	B				649	7	B	
	6	37	40	806	5	B	37	40	879	6	B				879	6	B	
	7	37	40	691	5	B	37	40	959	6	B				959	6	B	
	8	9	15	472	7	B	9	15	538	8	C				538	8	C	



## Appendix S.5.3

### Pedestrian Improvement Analysis - Sidewalk Level of Service

#### 2025 Future Conditions (AM)

Intersection	Walkway Location	2025 Future without the Proposed Action					2025 Future with the Proposed Action						2025 Future with the Proposed Action (Improvement)					
		Effective Walkway width	Actual walkway width	Sidewalk Volumes	Platoon Flow Rate (ped/min/ft)	Platoon Level of Service	Effective Walkway width	Actual walkway width	Sidewalk Volumes	Platoon Flow Rate (ped/min/ft)	Platoon Level of Service	Impact?	Proposed Effective Walkway width	Proposed Actual walkway width	Sidewalk Volumes	Platoon Flow Rate (ped/min/ft)	Platoon Level of Service	Still Impact?
<b>Seventh Ave @ 34th St</b>	1	17	20	613	6	B	17	20	683	7	B				683	7	B	
	2	17	20	687	7	B	17	20	721	7	B				721	7	B	
	3	20	23	382	5	B	20	23	454	6	B				454	6	B	
	4	20	23	860	7	B	20	23	911	7	B				911	7	B	
	5	17	20	417	6	B	17	20	448	6	B				448	6	B	
	6	17	20	397	6	B	17	20	563	6	B				563	6	B	
	7	20	23	1240	8	C	20	23	1357	9	C				1357	9	C	
	8	20	23	333	5	B	20	23	395	5	B				395	5	B	
<b>Sixth Ave @ 33rd St</b>	1	26	34	384	5	B	26	34	391	5	B				391	5	B	
	2	25	28	431	5	B	25	28	447	5	B				447	5	B	
	3	10	13	289	6	B	10	13	320	6	B				320	6	B	
	4	10	13	416	7	B	10	13	448	7	B				448	7	B	
	5	24	27	376	5	B	24	27	507	5	B				507	5	B	
	6	17	24	712	7	B	17	24	858	7	B				858	7	B	
	7	10	13	586	8	C	10	13	658	8	C				658	8	C	
	8	10	13	284	6	B	10	13	316	6	B				316	6	B	
<b>Sixth Ave @ 34th St</b>	1	0	0	0	N/A	N/A	0	0	0	N/A	N/A				0	N/A	N/A	
	2	10	17	905	10	C	10	17	928	10	C				928	10	C	
	3	20	23	528	6	B	20	23	544	6	B				544	6	B	
	4	18	23	537	6	B	18	23	553	6	B				553	6	B	
	5	14	17	787	8	C	14	17	803	8	C				803	8	C	
	6	0	0	0	N/A	N/A	0	0	0	N/A	N/A				0	N/A	N/A	
	7	0	0	0	N/A	N/A	0	0	0	N/A	N/A				0	N/A	N/A	
	8	0	0	0	N/A	N/A	0	0	0	N/A	N/A				0	N/A	N/A	
<b>Broadway @ 34th St</b>	1	25	30	958	7	B	25	30	1017	7	B				1017	7	B	
	2	0	0	0	N/A	N/A	0	0	0	N/A	N/A				0	N/A	N/A	
	3	0	0	0	N/A	N/A	0	0	0	N/A	N/A				0	N/A	N/A	
	4	0	0	0	N/A	N/A	0	0	0	N/A	N/A				0	N/A	N/A	
	5	0	0	0	N/A	N/A	0	0	0	N/A	N/A				0	N/A	N/A	
	6	25	30	954	7	B	25	30	1003	7	B				1003	7	B	
	7	18	23	745	7	B	18	23	762	7	B				762	7	B	
	8	18	23	598	6	B	18	23	657	6	B				657	6	B	
<b>Blvd @ 33rd St</b>	1	0	0	0	N/A	N/A	15	15	2288	14	D				2288	14	D	
	2	0	0	0	N/A	N/A	15	18	338	6	B				338	6	B	
	3	0	0	0	N/A	N/A	15	18	982	8	C				982	8	C	
	4	0	0	0	N/A	N/A	10	13	781	9	C				781	9	C	
	5	0	0	0	N/A	N/A	0	0	0	N/A	N/A				0	N/A	N/A	
	6	0	0	0	N/A	N/A	0	0	0	N/A	N/A				0	N/A	N/A	
	7	0	0	0	N/A	N/A	10	13	262	6	B				262	6	B	
	8	0	0	0	N/A	N/A	15	18	247	5	B				247	5	B	
<b>Blvd @ 34th St</b>	1	0	0	0	N/A	N/A	15	18	1113	9	C				1113	9	C	
	2	0	0	0	N/A	N/A	15	18	613	7	B				613	7	B	
	3	0	0	0	N/A	N/A	26	30	618	6	B				618	6	B	
	4	0	0	0	N/A	N/A	26	30	375	5	B				375	5	B	
	5	0	0	0	N/A	N/A	15	18	798	8	C				798	8	C	
	6	0	0	0	N/A	N/A	15	18	457	6	B				457	6	B	
	7	0	0	0	N/A	N/A	26	30	473	5	B				473	5	B	
	8	0	0	0	N/A	N/A	26	30	282	5	B				282	5	B	

## Appendix S.5.3

### Pedestrian Improvement Analysis - Sidewalk Level of Service

#### 2025 Future Conditions (AM)

Intersection	Walkway Location	2025 Future without the Proposed Action					2025 Future with the Proposed Action						2025 Future with the Proposed Action (Improvement)					
		Effective Walkway width	Actual walkway width	Sidewalk Volumes	Platoon Flow Rate (ped/min/ft)	Platoon Level of Service	Effective Walkway width	Actual walkway width	Sidewalk Volumes	Platoon Flow Rate (ped/min/ft)	Platoon Level of Service	Impact?	Proposed Effective Walkway width	Proposed Actual walkway width	Sidewalk Volumes	Platoon Flow Rate (ped/min/ft)	Platoon Level of Service	Still Impact?
N. Blvd @ 35th St	1	0	0	0	N/A	N/A	0	0	0	N/A	N/A			0	N/A	N/A		
	2	0	0	0	N/A	N/A	15	18	582	7	B			582	7	B		
	3	0	0	0	N/A	N/A	20	24	490	6	B			490	6	B		
	4	0	0	0	N/A	N/A	15	18	290	5	B			290	5	B		
	5	0	0	0	N/A	N/A	15	18	782	7	B			782	7	B		
	6	0	0	0	N/A	N/A	15	18	1398	10	C			1398	10	C		
	7	0	0	0	N/A	N/A	15	18	92	4	B			92	4	B		
	8	0	0	0	N/A	N/A	0	0	0	N/A	N/A			0	N/A	N/A		
N. Blvd @ 36th St	1	0	0	0	N/A	N/A	0	0	0	N/A	N/A			0	N/A	N/A		
	2	0	0	0	N/A	N/A	15	18	337	5	B			337	5	B		
	3	0	0	0	N/A	N/A	18	22	120	4	B			120	4	B		
	4	0	0	0	N/A	N/A	15	18	137	5	B			137	5	B		
	5	0	0	0	N/A	N/A	15	18	573	7	B			573	7	B		
	6	0	0	0	N/A	N/A	0	0	0	N/A	N/A			0	N/A	N/A		
	7	0	0	0	N/A	N/A	0	0	0	N/A	N/A			0	N/A	N/A		
	8	0	0	0	N/A	N/A	0	0	0	N/A	N/A			0	N/A	N/A		
N. Blvd @ 37th St	1	0	0	0	N/A	N/A	0	0	0	N/A	N/A			0	N/A	N/A		
	2	0	0	0	N/A	N/A	15	18	335	5	B			335	5	B		
	3	0	0	0	N/A	N/A	18	22	198	5	B			198	5	B		
	4	0	0	0	N/A	N/A	14	17	91	4	B			91	4	B		
	5	0	0	0	N/A	N/A	15	18	366	6	B			366	6	B		
	6	0	0	0	N/A	N/A	0	0	0	N/A	N/A			0	N/A	N/A		
	7	0	0	0	N/A	N/A	0	0	0	N/A	N/A			0	N/A	N/A		
	8	0	0	0	N/A	N/A	0	0	0	N/A	N/A			0	N/A	N/A		
Blvd @ 38th St	1	0	0	0	N/A	N/A	15	18	936	8	C			936	8	C		
	2	0	0	0	N/A	N/A	15	18	311	5	B			311	5	B		
	3	0	0	0	N/A	N/A	18	22	184	5	B			184	5	B		
	4	0	0	0	N/A	N/A	14	17	169	5	B			169	5	B		
	5	0	0	0	N/A	N/A	15	18	358	6	B			358	6	B		
	6	0	0	0	N/A	N/A	15	18	1122	9	C			1122	9	C		
	7	0	0	0	N/A	N/A	14	17	91	4	B			91	4	B		
	8	0	0	0	N/A	N/A	18	22	142	5	B			142	5	B		
S. Blvd @ 35th St	1	0	0	0	N/A	N/A	15	18	717	7	B			717	7	B		
	2	0	0	0	N/A	N/A	0	0	0	N/A	N/A			0	N/A	N/A		
	3	0	0	0	N/A	N/A	0	0	0	N/A	N/A			0	N/A	N/A		
	4	0	0	0	N/A	N/A	0	0	0	N/A	N/A			0	N/A	N/A		
	5	0	0	0	N/A	N/A	0	0	0	N/A	N/A			0	N/A	N/A		
	6	0	0	0	N/A	N/A	0	0	0	N/A	N/A			0	N/A	N/A		
	7	0	0	0	N/A	N/A	15	18	92	4	B			92	4	B		
	8	0	0	0	N/A	N/A	20	24	422	5	B			422	5	B		
S. Blvd @ 36th St	1	0	0	0	N/A	N/A	15	18	376	6	B			376	6	B		
	2	0	0	0	N/A	N/A	0	0	0	N/A	N/A			0	N/A	N/A		
	3	0	0	0	N/A	N/A	0	0	0	N/A	N/A			0	N/A	N/A		
	4	0	0	0	N/A	N/A	0	0	0	N/A	N/A			0	N/A	N/A		
	5	0	0	0	N/A	N/A	0	0	0	N/A	N/A			0	N/A	N/A		
	6	0	0	0	N/A	N/A	15	18	491	6	B			491	6	B		
	7	0	0	0	N/A	N/A	15	18	366	6	B			366	6	B		
	8	0	0	0	N/A	N/A	18	22	123	4	B			123	4	B		

### Appendix S.5.3

#### Pedestrian Improvement Analysis - Sidewalks Level of Service

##### 2025 Future Conditions (AM)

Intersection	Walkway Location	2025 Future without the Proposed Action				
		Effective Walkway width	Actual walkway width	Sidewalk Volumes	Platoon Flow Rate (ped/min/ft)	Platoon Level of Service
S.Blvd @ 37th St	1	0	0	0	N/A	N/A
	2	0	0	0	N/A	N/A
	3	0	0	0	N/A	N/A
	4	0	0	0	N/A	N/A
	5	0	0	0	N/A	N/A
	6	0	0	0	N/A	N/A
	7	0	0	0	N/A	N/A
	8	0	0	0	N/A	N/A

2025 Future with the Proposed Action					
Effective Walkway width	Actual walkway width	Sidewalk Volumes	Platoon Flow Rate (ped/min/ft)	Platoon Level of Service	Impact?
15	18	685	7	B	
0	0	0	N/A	N/A	
0	0	0	N/A	N/A	
0	0	0	N/A	N/A	
0	0	0	N/A	N/A	
15	18	785	7	B	
14	17	52	4	B	
18	22	146	5	B	

2025 Future with the Proposed Action (Improvement)					
Proposed Effective Walkway	Proposed Actual walkway width	Sidewalk Volumes	Platoon Flow Rate (ped/min/ft)	Platoon Level of Service	Still Impact?
		685	7	B	
		0	N/A	N/A	
		0	N/A	N/A	
		0	N/A	N/A	
		0	N/A	N/A	
		785	7	B	
		52	4	B	
		146	5	B	

## Appendix S.5.3

### Pedestrian Improvement Analysis - Sidewalks Level of Service

#### 2025 Future Conditions (MD)

Intersection	Walkway Location	2025 Future without the Proposed Action					2025 Future with the Proposed Action						2025 Future with the Proposed Action (Improvement)					
		Effective Walkway width	Actual walkway width	Sidewalk Volumes	Platoon Flow Rate (ped/min/ft)	Platoon Level of Service	Effective Walkway width	Actual walkway width	Sidewalk Volumes	Platoon Flow Rate (ped/min/ft)	Platoon Level of Service	Impact?	Proposed Effective Walkway width	Proposed Actual walkway width	Sidewalk Volumes	Platoon Flow Rate (ped/min/ft)	Platoon Level of Service	Still Impact?
Twelfth Ave @ 30th St	1	13	15	0	4	B	13	15	0	4	B				0	4	B	
	2	9	11	2	4	B	9	11	2	4	B				2	4	B	
	3	10	13	0	4	B	10	13	0	4	B				0	4	B	
	4	10	13	1	4	B	10	13	1	4	B				1	4	B	
	5	12	15	2	4	B	12	15	2	4	B				2	4	B	
	6	13	15	0	4	B	13	15	0	4	B				0	4	B	
	7	0	0	0	N/A	N/A	0	0	0	N/A	N/A				0	N/A	N/A	
	8	0	0	0	N/A	N/A	0	0	0	N/A	N/A				0	N/A	N/A	
Twelfth Ave @ 34th St	1	13	15	0	4	B	13	15	0	4	B				0	4	B	
	2	9	12	3	4	B	9	12	6	4	B				6	4	B	
	3	15	18	27	4	B	15	18	29	4	B				29	4	B	
	4	15	18	104	4	B	15	18	109	4	B				109	4	B	
	5	9	12	2	4	B	9	12	2	4	B				2	4	B	
	6	13	15	0	4	B	13	15	0	4	B				0	4	B	
	7	0	0	0	N/A	N/A	0	0	0	N/A	N/A				0	N/A	N/A	
	8	0	0	0	N/A	N/A	0	0	0	N/A	N/A				0	N/A	N/A	
Twelfth Ave @ 39th St	1	13	15	0	4	B	13	15	0	4	B				0	4	B	
	2	10	13	12	4	B	10	13	12	4	B				12	4	B	
	3	10	13	0	4	B	0	0	0	N/A	N/A				0	N/A	N/A	
	4	10	13	86	5	B	0	0	0	N/A	N/A				0	N/A	N/A	
	5	15	18	14	4	B	15	18	17	4	B				17	4	B	
	6	13	15	0	4	B	13	15	0	4	B				0	4	B	
	7	0	0	0	N/A	N/A	0	0	0	N/A	N/A				0	N/A	N/A	
	8	0	0	0	N/A	N/A	0	0	0	N/A	N/A				0	N/A	N/A	
Twelfth Ave @ 40th St	1	13	15	0	4	B	13	15	0	4	B				0	4	B	
	2	10	13	3	4	B	10	13	3	4	B				3	4	B	
	3	9	11	2	4	B	0	0	0	N/A	N/A				0	N/A	N/A	
	4	9	12	1	4	B	0	0	0	N/A	N/A				0	N/A	N/A	
	5	11	14	2	4	B	11	14	2	4	B				2	4	B	
	6	13	15	0	4	B	13	15	0	4	B				0	4	B	
	7	0	0	0	N/A	N/A	0	0	0	N/A	N/A				0	N/A	N/A	
	8	0	0	0	N/A	N/A	0	0	0	N/A	N/A				0	N/A	N/A	
Twelfth Ave @ 42nd St	1	13	15	0	4	B	13	15	0	4	B				0	4	B	
	2	17	20	26	4	B	17	20	18	4	B				18	4	B	
	3	12	15	126	5	B	12	15	103	5	B				103	5	B	
	4	23	26	109	4	B	23	26	113	4	B				113	4	B	
	5	17	20	9	4	B	17	20	9	4	B				9	4	B	
	6	13	15	0	4	B	13	15	0	4	B				0	4	B	
	7	0	0	0	N/A	N/A	0	0	0	N/A	N/A				0	N/A	N/A	
	8	0	0	0	N/A	N/A	0	0	0	N/A	N/A				0	N/A	N/A	
Eleventh Ave @ 29th St	1	12	15	42	4	B	12	15	323	6	B				323	6	B	
	2	12	15	121	5	B	12	15	521	7	B				521	7	B	
	3	10	13	17	4	B	10	13	78	5	B				78	5	B	
	4	10	13	15	4	B	10	13	53	4	B				53	4	B	
	5	12	15	118	5	B	12	15	435	6	B				435	6	B	
	6	12	15	44	4	B	12	15	311	6	B				311	6	B	
	7	10	13	0	4	B	10	13	0	4	B				0	4	B	
	8	10	13	3	4	B	10	13	3	4	B				3	4	B	

## Appendix S.5.3

### Pedestrian Improvement Analysis - Sidewalks Level of Service

#### 2025 Future Conditions (MD)

Intersection	Walkway Location	2025 Future without the Proposed Action					2025 Future with the Proposed Action						2025 Future with the Proposed Action (Improvement)					
		Effective Walkway width	Actual walkway width	Sidewalk Volumes	Platoon Flow Rate (ped/min/ft)	Platoon Level of Service	Effective Walkway width	Actual walkway width	Sidewalk Volumes	Platoon Flow Rate (ped/min/ft)	Platoon Level of Service	Impact?	Proposed Effective Walkway width	Proposed Actual walkway width	Sidewalk Volumes	Platoon Flow Rate (ped/min/ft)	Platoon Level of Service	Still Impact?
<b>Eleventh Ave @ 30th St</b>	1	12	15	36	4	B	12	15	215	5	B				215	5	B	
	2	12	15	105	5	B	17	20	700	7	B				700	7	B	
	3	10	13	167	5	B	10	13	444	7	B				444	7	B	
	4	10	13	10	4	B	10	13	68	4	B				68	4	B	
	5	12	15	156	5	B	12	15	669	8	C				669	8	C	
	6	12	15	64	4	B	12	15	457	7	B				457	7	B	
	7	10	13	5	4	B	10	13	5	4	B				5	4	B	
	8	10	13	17	4	B	10	13	30	4	B				30	4	B	
<b>Eleventh Ave @ 33rd St</b>	1	12	15	11	4	B	12	15	242	5	B				242	5	B	
	2	12	15	238	5	B	17	20	685	7	B				685	7	B	
	3	10	13	188	5	B	15	18	389	6	B				389	6	B	
	4	10	13	2	4	B	10	13	454	7	B				454	7	B	
	5	12	15	55	4	B	17	20	679	7	B				679	7	B	
	6	12	15	9	4	B	12	15	175	5	B				175	5	B	
	7	10	13	0	4	B	0	0	0	N/A	N/A				0	N/A	N/A	
	8	10	13	2	4	B	0	0	0	N/A	N/A				0	N/A	N/A	
<b>Eleventh Ave @ 34th St</b>	1	13	15	11	4	B	13	15	303	6	B				303	6	B	
	2	9	12	190	5	B	14	17	796	8	C				796	8	C	
	3	17	20	132	5	B	26	30	529	5	B				529	5	B	
	4	17	20	76	4	B	26	30	297	5	B				297	5	B	
	5	12	15	204	5	B	17	20	745	7	B				745	7	B	
	6	12	15	15	4	B	12	15	344	6	B				344	6	B	
	7	17	20	122	4	B	17	20	127	4	B				127	4	B	
	8	17	20	46	4	B	17	20	48	4	B				48	4	B	
<b>Eleventh Ave @ 35th St</b>	1	16	19	15	4	B	16	19	217	5	B				217	5	B	
	2	14	15	158	5	B	14	15	769	8	C				769	8	C	
	3	12	14	1	4	B	20	24	266	5	B				266	5	B	
	4	12	14	10	4	B	17	19	175	5	B				175	5	B	
	5	8	11	158	5	B	13	16	760	8	C				760	8	C	
	6	12	15	12	4	B	12	15	304	6	B				304	6	B	
	7	0	0	0	N/A	N/A	0	0	0	N/A	N/A				0	N/A	N/A	
	8	0	0	0	N/A	N/A	0	0	0	N/A	N/A				0	N/A	N/A	
<b>Eleventh Ave @ 36th St</b>	1	12	15	12	4	B	12	15	186	5	B				186	5	B	
	2	7	9	143	5	B	12	15	737	8	C				737	8	C	
	3	10	13	2	4	B	18	22	91	4	B				91	4	B	
	4	8	10	4	4	B	15	18	173	5	B				173	5	B	
	5	12	15	140	5	B	18	20	972	8	C				972	8	C	
	6	13	17	11	4	B	13	17	213	5	B				213	5	B	
	7	0	0	0	N/A	N/A	0	0	0	N/A	N/A				0	N/A	N/A	
	8	0	0	0	N/A	N/A	0	0	0	N/A	N/A				0	N/A	N/A	
<b>Eleventh Ave @ 37th St</b>	1	12	15	0	4	B	12	15	140	5	B				140	5	B	
	2	7	10	135	5	B	12	15	643	8	C				643	8	C	
	3	9	12	9	4	B	18	22	254	5	B				254	5	B	
	4	9	12	6	4	B	14	17	56	4	B				56	4	B	
	5	7	10	116	5	B	12	15	645	8	C				645	8	C	
	6	12	15	7	4	B	12	15	181	5	B				181	5	B	
	7	0	0	0	N/A	N/A	0	0	0	N/A	N/A				0	N/A	N/A	
	8	0	0	0	N/A	N/A	0	0	0	N/A	N/A				0	N/A	N/A	

## Appendix S.5.3

### Pedestrian Improvement Analysis - Sidewalks Level of Service

#### 2025 Future Conditions (MD)

Intersection	Walkway Location	2025 Future without the Proposed Action					2025 Future with the Proposed Action						2025 Future with the Proposed Action (Improvement)					
		Effective Walkway width	Actual walkway width	Sidewalk Volumes	Platoon Flow Rate (ped/min/ft)	Platoon Level of Service	Effective Walkway width	Actual walkway width	Sidewalk Volumes	Platoon Flow Rate (ped/min/ft)	Platoon Level of Service	Impact?	Proposed Effective Walkway width	Proposed Actual walkway width	Sidewalk Volumes	Platoon Flow Rate (ped/min/ft)	Platoon Level of Service	Still Impact?
<b>Eleventh Ave @ 38th St</b>	1	12	15	1	4	B	12	15	183	5	B				183	5	B	
	2	7	10	8	4	B	12	15	396	6	B				396	6	B	
	3	8	11	1	4	B	18	22	269	5	B				269	5	B	
	4	8	11	6	4	B	14	17	92	4	B				92	4	B	
	5	7	10	96	5	B	12	15	492	7	B				492	7	B	
	6	12	15	0	4	B	12	15	140	5	B				140	5	B	
	7	0	0	0	N/A	N/A	0	0	0	N/A	N/A				0	N/A	N/A	
	8	0	0	0	N/A	N/A	0	0	0	N/A	N/A				0	N/A	N/A	
<b>Eleventh Ave @ 39th St</b>	1	11	14	9	4	B	11	14	230	5	B				230	5	B	
	2	7	10	0	4	B	12	15	319	6	B				319	6	B	
	3	9	12	22	4	B	9	12	39	4	B				39	4	B	
	4	8	11	61	5	B	15	18	107	4	B				107	4	B	
	5	7	10	6	4	B	12	15	323	6	B				323	6	B	
	6	12	15	8	4	B	12	15	190	5	B				190	5	B	
	7	10	13	60	4	B	0	0	0	N/A	N/A				0	N/A	N/A	
	8	12	15	14	4	B	0	0	0	N/A	N/A				0	N/A	N/A	
<b>Eleventh Ave @ 40th St</b>	1	12	15	3	4	B	12	15	227	5	B				227	5	B	
	2	7	10	3	4	B	12	15	242	5	B				242	5	B	
	3	10	13	5	4	B	14	18	163	5	B				163	5	B	
	4	10	13	1	4	B	15	18	1	4	B				1	4	B	
	5	7	10	5	4	B	12	15	296	6	B				296	6	B	
	6	12	15	31	4	B	12	15	252	5	B				252	5	B	
	7	10	13	8	4	B	0	0	0	N/A	N/A				0	N/A	N/A	
	8	10	13	3	4	B	0	0	0	N/A	N/A				0	N/A	N/A	
<b>Eleventh Ave @ 42nd St</b>	1	13	16	24	4	B	13	16	125	5	B				125	5	B	
	2	13	16	7	4	B	13	16	207	5	B				207	5	B	
	3	12	15	225	5	B	12	15	181	5	B				181	5	B	
	4	12	15	146	5	B	12	15	519	7	B				519	7	B	
	5	12	16	19	4	B	12	16	282	6	B				282	6	B	
	6	12	15	74	4	B	12	15	175	5	B				175	5	B	
	7	12	16	128	5	B	12	16	134	5	B				134	5	B	
	8	12	16	207	5	B	12	16	28	4	B				28	4	B	
<b>Tenth Ave @ 29th St</b>	1	12	15	143	5	B	12	15	1063	10	C				1063	10	C	
	2	12	15	89	4	B	12	15	335	6	B				335	6	B	
	3	10	13	78	5	B	10	13	170	5	B				170	5	B	
	4	10	13	88	5	B	10	13	180	5	B				180	5	B	
	5	12	15	100	5	B	12	15	345	6	B				345	6	B	
	6	12	15	206	5	B	12	15	890	9	C				890	9	C	
	7	10	13	60	4	B	10	13	83	5	B				83	5	B	
	8	10	13	61	4	B	10	13	82	5	B				82	5	B	
<b>Tenth Ave @ 30th St</b>	1	13	16	174	5	B	13	16	1361	11	D				1361	11	D	
	2	12	15	154	5	B	12	15	345	6	B				345	6	B	
	3	10	13	170	5	B	10	13	679	9	C				679	9	C	
	4	12	15	59	4	B	12	15	185	5	B				185	5	B	
	5	12	15	114	5	B	12	15	481	7	B				481	7	B	
	6	12	15	179	5	B	12	15	1223	11	D				1223	11	D	
	7	11	14	59	4	B	11	14	88	5	B				88	5	B	
	8	11	14	188	5	B	11	14	890	9	C				890	9	C	

## Appendix S.5.3

### Pedestrian Improvement Analysis - Sidewalks Level of Service

#### 2025 Future Conditions (MD)

Intersection	Walkway Location	2025 Future without the Proposed Action					2025 Future with the Proposed Action						2025 Future with the Proposed Action (Improvement)					
		Effective Walkway width	Actual walkway width	Sidewalk Volumes	Platoon Flow Rate (ped/min/ft)	Platoon Level of Service	Effective Walkway width	Actual walkway width	Sidewalk Volumes	Platoon Flow Rate (ped/min/ft)	Platoon Level of Service	Impact?	Proposed Effective Walkway width	Proposed Actual walkway width	Sidewalk Volumes	Platoon Flow Rate (ped/min/ft)	Platoon Level of Service	Still Impact?
<b>Tenth Ave @ 31st St</b>	1	12	15	70	4	B	12	15	1561	13	D				1561	13	D	
	2	12	15	105	5	B	12	15	457	7	B				457	7	B	
	3	11	13	249	6	B	11	13	486	7	B				486	7	B	
	4	11	13	21	4	B	11	13	250	6	B				250	6	B	
	5	12	15	160	5	B	12	15	466	7	B				466	7	B	
	6	12	15	179	5	B	12	15	1369	12	D				1369	12	D	
	7	0	0	0	N/A	N/A	0	0	0	N/A	N/A				0	N/A	N/A	
	8	0	0	0	N/A	N/A	0	0	0	N/A	N/A				0	N/A	N/A	
<b>Tenth Ave @ 33rd St</b>	1	12	15	137	5	B	12	15	1514	12	D				1514	12	D	
	2	12	15	149	5	B	12	15	852	9	C				852	9	C	
	3	10	13	213	5	B	10	13	547	8	C				547	8	C	
	4	10	13	440	7	B	10	13	1134	12	D				1134	12	D	
	5	12	15	59	4	B	12	15	519	7	B				519	7	B	
	6	12	15	77	4	B	12	15	1664	13	D				1664	13	D	
	7	10	13	218	5	B	10	13	1229	12	D				1229	12	D	
	8	10	13	371	6	B	15	18	867	8	C				867	8	C	
<b>Tenth Ave @ 34th St</b>	1	12	15	154	5	B	12	15	1402	12	D				1402	12	D	
	2	12	15	125	5	B	12	15	836	9	C				836	9	C	
	3	17	20	246	5	B	17	20	753	7	B				753	7	B	
	4	17	20	192	5	B	17	20	1159	9	C				1159	9	C	
	5	12	15	203	5	B	12	15	909	9	C				909	9	C	
	6	12	15	135	5	B	12	15	1932	15	D				1932	15	D	
	7	17	20	133	5	B	26	30	1326	7	B				1326	7	B	
	8	17	20	218	5	B	26	30	1343	7	B				1343	7	B	
<b>Tenth Ave @ 35th St</b>	1	13	16	92	4	B	13	16	1234	10	C				1234	10	C	
	2	13	15	94	4	B	13	15	763	8	C				763	8	C	
	3	12	15	78	4	B	12	15	577	7	B				577	7	B	
	4	7	9	1	4	B	7	9	610	10	C				610	10	C	
	5	13	15	94	4	B	13	15	775	8	C				775	8	C	
	6	11	15	84	5	B	11	15	1701	14	D				1701	14	D	
	7	10	13	37	4	B	15	18	419	6	B				419	6	B	
	8	12	14	84	4	B	20	24	842	7	B				842	7	B	
<b>Tenth Ave @ 36th St</b>	1	12	15	82	4	B	12	15	1089	10	C				1089	10	C	
	2	10	16	67	4	B	10	16	762	9	C				762	9	C	
	3	9	12	52	4	B	9	12	363	7	B				363	7	B	
	4	9	12	41	4	B	9	12	410	7	B				410	7	B	
	5	12	15	64	4	B	12	15	656	8	C				656	8	C	
	6	12	15	75	4	B	12	15	1317	11	D				1317	11	D	
	7	9	12	27	4	B	15	18	326	5	B				326	5	B	
	8	10	12	61	4	B	18	22	289	5	B				289	5	B	
<b>Tenth Ave @ 37th St</b>	1	5	15	55	5	B	12	15	782	8	C				782	8	C	
	2	5	15	78	5	B	5	15	753	14	D				753	14	D	
	3	9	12	46	4	B	9	12	521	8	C				521	8	C	
	4	9	12	38	4	B	9	12	287	6	B				287	6	B	
	5	12	15	49	4	B	12	15	657	8	C				657	8	C	
	6	12	15	56	4	B	12	15	1016	10	C				1016	10	C	
	7	9	12	14	4	B	14	17	115	5	B				115	5	B	
	8	9	12	62	4	B	18	22	615	6	B				615	6	B	

## Appendix S.5.3

### Pedestrian Improvement Analysis - Sidewalks Level of Service

#### 2025 Future Conditions (MD)

Intersection	Walkway Location	2025 Future without the Proposed Action					2025 Future with the Proposed Action						2025 Future with the Proposed Action (Improvement)					
		Effective Walkway width	Actual walkway width	Sidewalk Volumes	Platoon Flow Rate (ped/min/ft)	Platoon Level of Service	Effective Walkway width	Actual walkway width	Sidewalk Volumes	Platoon Flow Rate (ped/min/ft)	Platoon Level of Service	Impact?	Proposed Effective Walkway width	Proposed Actual walkway width	Sidewalk Volumes	Platoon Flow Rate (ped/min/ft)	Platoon Level of Service	Still Impact?
<b>Tenth Ave @ 38th St</b>	1	12	15	48	4	B	12	15	633	8	C			633	8	C		
	2	12	15	61	4	B	12	15	616	7	B			616	7	B		
	3	9	12	46	4	B	9	12	430	7	B			430	7	B		
	4	9	12	19	4	B	9	12	316	6	B			316	6	B		
	5	12	15	48	4	B	12	15	654	8	C			654	8	C		
	6	12	15	48	4	B	12	15	703	8	C			703	8	C		
	7	9	12	21	4	B	14	17	321	6	B			321	6	B		
	8	9	12	20	4	B	18	22	594	6	B			594	6	B		
<b>Tenth Ave @ 39th St</b>	1	12	15	51	4	B	12	15	504	7	B			504	7	B		
	2	12	15	61	4	B	12	15	654	8	C			654	8	C		
	3	9	12	46	4	B	9	12	127	5	B			127	5	B		
	4	9	12	43	4	B	9	12	328	6	B			328	6	B		
	5	12	15	59	4	B	12	15	508	7	B			508	7	B		
	6	12	15	59	4	B	12	15	582	7	B			582	7	B		
	7	10	13	41	4	B	15	18	347	6	B			347	6	B		
	8	7	10	46	4	B	7	10	116	5	B			116	5	B		
<b>Tenth Ave @ 40th St</b>	1	12	15	44	4	B	12	15	576	7	B			576	7	B		
	2	12	15	51	4	B	12	15	915	9	C			915	9	C		
	3	9	12	63	4	B	9	12	310	6	B			310	6	B		
	4	9	12	45	4	B	9	12	92	5	B			92	5	B		
	5	12	15	74	4	B	12	15	638	8	C			638	8	C		
	6	12	15	49	4	B	12	15	474	7	B			474	7	B		
	7	10	13	18	4	B	10	13	18	4	B			18	4	B		
	8	10	13	30	4	B	14	18	274	5	B			274	5	B		
<b>Tenth Ave @ 41st St</b>	1	12	15	60	4	B	12	15	403	6	B			403	6	B		
	2	14	16	102	4	B	14	16	724	7	B			724	7	B		
	3	8	10	122	5	B	8	10	214	6	B			214	6	B		
	4	12	14	61	4	B	12	14	246	5	B			246	5	B		
	5	13	16	72	4	B	13	16	1182	10	C			1182	10	C		
	6	8	10	35	4	B	8	10	553	9	C			553	9	C		
	7	13	17	11	4	B	13	17	298	6	B			298	6	B		
	8	9	12	60	4	B	9	12	150	5	B			150	5	B		
<b>Tenth Ave @ 42nd St</b>	1	17	20	102	4	B	17	20	304	5	B			304	5	B		
	2	17	22	114	4	B	17	22	497	6	B			497	6	B		
	3	18	21	332	5	B	18	21	407	6	B			407	6	B		
	4	12	20	233	5	B	12	20	867	9	C			867	9	C		
	5	8	16	66	5	B	8	16	481	8	C			481	8	C		
	6	13	16	72	4	B	13	16	361	6	B			361	6	B		
	7	13	15	189	5	B	13	15	693	8	C			693	8	C		
	8	13	15	288	6	B	13	15	309	6	B			309	6	B		
<b>Dyer @ 42nd St</b>	1	0	0	0	N/A	N/A	0	0	0	N/A	N/A			0	N/A	N/A		
	2	0	0	0	N/A	N/A	0	0	0	N/A	N/A			0	N/A	N/A		
	3	19	21	135	4	B	19	21	135	4	B			135	4	B		
	4	18	20	105	4	B	18	20	105	4	B			105	4	B		
	5	6	6	3	4	B	6	6	3	4	B			3	4	B		
	6	2	4	5	4	B	2	4	5	4	B			5	4	B		
	7	18	20	96	4	B	18	20	96	4	B			96	4	B		
	8	19	21	112	4	B	19	21	112	4	B			112	4	B		



## Appendix S.5.3

### Pedestrian Improvement Analysis - Sidewalks Level of Service

#### 2025 Future Conditions (MD)

Intersection	Walkway Location	2025 Future without the Proposed Action					2025 Future with the Proposed Action						2025 Future with the Proposed Action (Improvement)					
		Effective Walkway width	Actual walkway width	Sidewalk Volumes	Platoon Flow Rate (ped/min/ft)	Platoon Level of Service	Effective Walkway width	Actual walkway width	Sidewalk Volumes	Platoon Flow Rate (ped/min/ft)	Platoon Level of Service	Impact?	Proposed Effective Walkway width	Proposed Actual walkway width	Sidewalk Volumes	Platoon Flow Rate (ped/min/ft)	Platoon Level of Service	Still Impact?
<b>Ninth Ave @ 30th St</b>	1	14	16	384	6	B	14	16	613	7	B				613	7	B	
	2	8	15	686	10	C	8	15	900	12	D				900	12	D	
	3	6	13	70	5	B	6	13	139	6	B				139	6	B	
	4	10	13	81	5	B	10	13	146	5	B				146	5	B	
	5	13	16	418	6	B	13	16	833	8	C				833	8	C	
	6	13	16	377	6	B	13	16	800	8	C				800	8	C	
	7	11	14	136	5	B	11	14	210	5	B				210	5	B	
	8	10	12	193	5	B	10	12	649	8	C				649	8	C	
<b>Ninth Ave @ 31st St</b>	1	12	15	235	5	B	17	20	595	6	B				595	6	B	
	2	10	13	58	4	B	10	13	410	7	B				410	7	B	
	3	10	13	1099	11	D	10	13	1264	12	D				1264	12	D	
	4	10	13	122	5	B	10	13	205	5	B				205	5	B	
	5	12	15	586	7	B	12	15	961	9	C				961	9	C	
	6	12	15	441	6	B	12	15	829	9	C				829	9	C	
	7	10	13	161	5	B	10	13	337	6	B				337	6	B	
	8	10	13	310	6	B	10	13	609	8	C				609	8	C	
<b>Ninth Ave @ 33rd St</b>	1	12	15	429	6	B	12	15	1119	10	C				1119	10	C	
	2	12	15	617	7	B	12	15	1235	11	D				1235	11	D	
	3	10	13	370	6	B	10	13	487	7	B				487	7	B	
	4	10	13	1253	12	D	10	13	1490	14	D				1490	14	D	
	5	12	15	208	5	B	12	15	678	8	C				678	8	C	
	6	12	15	432	6	B	17	20	905	8	C				905	8	C	
	7	10	13	599	8	C	15	18	1319	10	C				1319	10	C	
	8	10	13	263	6	B	10	13	533	8	C				533	8	C	
<b>Ninth Ave @ 34th St</b>	1	11	15	449	7	B	11	15	1024	10	C				1024	10	C	
	2	12	15	505	7	B	12	15	1039	10	C				1039	10	C	
	3	19	23	392	5	B	19	23	557	6	B				557	6	B	
	4	19	23	376	5	B	19	23	529	6	B				529	6	B	
	5	12	15	731	8	C	12	15	1394	12	D				1394	12	D	
	6	12	15	552	7	B	12	15	1291	11	D				1291	11	D	
	7	16	20	313	5	B	16	20	1221	9	C				1221	9	C	
	8	15	20	422	6	B	15	20	849	8	C				849	8	C	
<b>Ninth Ave @ 37th St</b>	1	12	15	305	6	B	12	15	708	8	C				708	8	C	
	2	12	15	296	6	B	12	15	754	8	C				754	8	C	
	3	9	12	152	5	B	9	12	302	6	B				302	6	B	
	4	9	12	79	5	B	9	12	205	6	B				205	6	B	
	5	10	15	336	6	B	10	15	846	10	C				846	10	C	
	6	12	15	346	6	B	12	15	792	8	C				792	8	C	
	7	6	12	70	5	B	6	12	249	7	B				249	7	B	
	8	9	12	107	5	B	9	12	498	8	C				498	8	C	
<b>Ninth Ave @ 38th St</b>	1	10	15	163	5	B	10	15	404	7	B				404	7	B	
	2	8	15	129	5	B	8	15	575	9	C				575	9	C	
	3	8	11	58	4	B	8	11	112	5	B				112	5	B	
	4	8	11	42	4	B	8	11	186	6	B				186	6	B	
	5	10	15	126	5	B	10	15	488	7	B				488	7	B	
	6	12	15	113	5	B	12	15	427	6	B				427	6	B	
	7	8	11	57	4	B	8	11	280	6	B				280	6	B	
	8	8	11	40	4	B	8	11	350	7	B				350	7	B	

### Appendix S.5.3

#### Pedestrian Improvement Analysis - Sidewalks Level of Service

##### 2025 Future Conditions (MD)

Intersection	Walkway Location	2025 Future without the Proposed Action					2025 Future with the Proposed Action						2025 Future with the Proposed Action (Improvement)					
		Effective Walkway width	Actual walkway width	Sidewalk Volumes	Platoon Flow Rate (ped/min/ft)	Platoon Level of Service	Effective Walkway width	Actual walkway width	Sidewalk Volumes	Platoon Flow Rate (ped/min/ft)	Platoon Level of Service	Impact?	Proposed Effective Walkway width	Proposed Actual walkway width	Sidewalk Volumes	Platoon Flow Rate (ped/min/ft)	Platoon Level of Service	Still Impact?
<b>Ninth Ave @ 39th St</b>	1	8	15	113	5	B	8	15	338	7	B				338	7	B	
	2	11	15	204	5	B	11	15	664	8	C				664	8	C	
	3	9	12	99	5	B	9	12	145	5	B				145	5	B	
	4	9	12	111	5	B	9	12	180	5	B				180	5	B	
	5	10	15	232	6	B	10	15	580	8	C				580	8	C	
	6	12	15	154	5	B	12	15	294	6	B				294	6	B	
	7	9	12	52	4	B	9	12	282	6	B				282	6	B	
	8	9	12	55	4	B	9	12	129	5	B				129	5	B	
<b>Ninth Ave @ 42nd St</b>	1	13	16	357	6	B	13	16	514	7	B				514	7	B	
	2	8	10	294	6	B	8	10	470	8	C				470	8	C	
	3	8	11	437	8	C	8	11	522	8	C				522	8	C	
	4	12	19	501	7	B	12	19	687	8	C				687	8	C	
	5	8	14	286	7	B	8	14	463	8	C				463	8	C	
	6	8	15	234	6	B	8	15	383	7	B				383	7	B	
	7	13	20	298	6	B	13	20	655	7	B				655	7	B	
	8	18	21	370	5	B	18	21	419	6	B				419	6	B	
<b>Eighth Ave @ 30th St</b>	1	11	14	506	7	B	11	14	632	8	C				632	8	C	
	2	11	15	434	7	B	11	15	872	9	C				872	9	C	
	3	9	13	180	5	B	9	13	236	6	B				236	6	B	
	4	11	14	141	5	B	11	14	177	5	B				177	5	B	
	5	12	15	224	5	B	12	15	518	7	B				518	7	B	
	6	11	14	346	6	B	11	14	483	7	B				483	7	B	
	7	10	14	76	5	B	10	14	121	5	B				121	5	B	
	8	10	13	98	5	B	10	13	141	5	B				141	5	B	
<b>Eighth Ave @ 31st St</b>	1	12	16	252	5	B	12	16	347	6	B				347	6	B	
	2	18	24	172	5	B	17	20	524	6	B				524	6	B	
	3	35	49	529	5	B	15	18	889	8	C				889	8	C	
	4	10	14	108	5	B	10	14	176	5	B				176	5	B	
	5	12	15	285	6	B	12	15	755	8	C				755	8	C	
	6	12	15	307	6	B	12	15	475	7	B				475	7	B	
	7	10	13	177	5	B	10	13	249	6	B				249	6	B	
	8	21	24	597	6	B	21	24	732	6	B				732	6	B	
<b>Eighth Ave @ 33rd St</b>	1	12	15	1120	10	C	12	15	1269	11	D				1269	11	D	
	2	12	19	370	6	B	12	19	1061	10	C				1061	10	C	
	3	10	17	401	7	B	10	17	464	7	B				464	7	B	
	4	30	43	969	6	B	15	18	1450	10	C				1450	10	C	
	5	30	43	457	5	B	17	20	922	8	C				922	8	C	
	6	12	16	519	7	B	12	16	601	7	B				601	7	B	
	7	13	24	1441	11	D	13	24	1588	12	D				1588	12	D	
	8	7	14	490	9	C	7	14	589	10	C				589	10	C	
<b>Eighth Ave @ 34th St</b>	1	11	15	542	7	B	11	15	673	8	C				673	8	C	
	2	11	15	256	6	B	11	15	678	8	C				678	8	C	
	3	19	22	582	6	B	19	22	627	6	B				627	6	B	
	4	19	22	346	5	B	19	22	420	5	B				420	5	B	
	5	12	15	238	5	B	12	15	905	9	C				905	9	C	
	6	11	15	705	8	C	11	15	821	9	C				821	9	C	
	7	12	22	213	5	B	12	22	329	6	B				329	6	B	
	8	18	22	585	6	B	18	22	677	7	B				677	7	B	

## Appendix S.5.3

### Pedestrian Improvement Analysis - Sidewalks Level of Service

#### 2025 Future Conditions (MD)

Intersection	Walkway Location	2025 Future without the Proposed Action					2025 Future with the Proposed Action						2025 Future with the Proposed Action (Improvement)					
		Effective Walkway width	Actual walkway width	Sidewalk Volumes	Platoon Flow Rate (ped/min/ft)	Platoon Level of Service	Effective Walkway width	Actual walkway width	Sidewalk Volumes	Platoon Flow Rate (ped/min/ft)	Platoon Level of Service	Impact?	Proposed Effective Walkway width	Proposed Actual walkway width	Sidewalk Volumes	Platoon Flow Rate (ped/min/ft)	Platoon Level of Service	Still Impact?
<b>Eighth Ave @ 37th St</b>	1	8	15	221	6	B	8	15	274	6	B				274	6	B	
	2	12	15	502	7	B	12	15	542	7	B				542	7	B	
	3	9	12	142	5	B	9	12	180	5	B				180	5	B	
	4	6	12	224	6	B	6	12	254	7	B				254	7	B	
	5	9	15	182	5	B	9	15	309	6	B				309	6	B	
	6	9	15	365	7	B	9	15	405	7	B				405	7	B	
	7	5	12	235	7	B	5	12	317	8	C				317	8	C	
	8	10	13	317	6	B	10	13	414	7	B				414	7	B	
<b>Eighth Ave @ 38th St</b>	1	8	15	280	6	B	8	15	374	7	B				374	7	B	
	2	10	15	207	5	B	10	15	260	6	B				260	6	B	
	3	5	12	42	5	B	5	12	69	5	B				69	5	B	
	4	9	12	126	5	B	9	12	156	5	B				156	5	B	
	5	8	15	256	6	B	8	15	287	6	B				287	6	B	
	6	10	15	310	6	B	10	15	356	6	B				356	6	B	
	7	8	11	111	5	B	8	11	232	6	B				232	6	B	
	8	8	11	91	5	B	8	11	105	5	B				105	5	B	
<b>Eighth Ave @ 39th St</b>	1	12	15	689	8	C	12	15	828	9	C				828	9	C	
	2	11	15	796	9	C	11	15	856	9	C				856	9	C	
	3	8	12	336	7	B	8	12	363	7	B				363	7	B	
	4	9	12	370	7	B	9	12	394	7	B				394	7	B	
	5	12	15	615	7	B	12	15	672	8	C				672	8	C	
	6	12	15	815	9	C	12	15	914	9	C				914	9	C	
	7	9	12	246	6	B	9	12	310	6	B				310	6	B	
	8	9	12	207	6	B	9	12	224	6	B				224	6	B	
<b>Eighth Ave @ 42nd St</b>	1	7	15	584	10	C	7	15	612	10	C				612	10	C	
	2	16	16	632	7	B	16	16	652	7	B				652	7	B	
	3	15	23	771	7	B	15	23	835	8	C				835	8	C	
	4	14	16	1042	9	C	14	16	1106	9	C				1106	9	C	
	5	7	12	1022	14	D	7	12	1033	14	D				1033	14	D	
	6	12	29	763	8	C	12	29	814	9	C				814	9	C	
	7	12	34	645	8	C	12	34	800	8	C				800	8	C	
	8	12	20	713	8	C	12	20	782	8	C				782	8	C	
<b>Seventh Ave @ 31st St</b>	1	19	23	590	6	B	19	23	808	7	B				808	7	B	
	2	19	23	603	6	B	19	23	701	6	B				701	6	B	
	3	10	13	362	6	B	10	13	506	7	B				506	7	B	
	4	10	13	308	6	B	10	13	328	6	B				328	6	B	
	5	17	20	367	5	B	17	20	542	6	B				542	6	B	
	6	16	20	585	6	B	16	20	811	7	B				811	7	B	
	7	10	13	102	5	B	10	13	122	5	B				122	5	B	
	8	15	18	478	6	B	15	18	730	7	B				730	7	B	
<b>Seventh Ave @ 33rd St</b>	1	16	20	676	7	B	16	20	860	8	C				860	8	C	
	2	15	20	810	8	C	15	20	941	8	C				941	8	C	
	3	7	13	436	8	C	7	13	503	9	C				503	9	C	
	4	10	13	595	8	C	10	13	750	9	C				750	9	C	
	5	15	20	632	7	B	15	20	696	7	B				696	7	B	
	6	37	40	571	5	B	37	40	739	5	B				739	5	B	
	7	37	40	783	5	B	37	40	1076	6	B				1076	6	B	
	8	9	15	510	8	C	9	15	534	8	C				534	8	C	

## Appendix S.5.3

### Pedestrian Improvement Analysis - Sidewalks Level of Service

#### 2025 Future Conditions (MD)

Intersection	Walkway Location	2025 Future without the Proposed Action					2025 Future with the Proposed Action						2025 Future with the Proposed Action (Improvement)					
		Effective Walkway width	Actual walkway width	Sidewalk Volumes	Platoon Flow Rate (ped/min/ft)	Platoon Level of Service	Effective Walkway width	Actual walkway width	Sidewalk Volumes	Platoon Flow Rate (ped/min/ft)	Platoon Level of Service	Impact?	Proposed Effective Walkway width	Proposed Actual walkway width	Sidewalk Volumes	Platoon Flow Rate (ped/min/ft)	Platoon Level of Service	Still Impact?
<b>Seventh Ave @ 34th St</b>	1	17	20	526	6	B	17	20	643	7	B				643	7	B	
	2	17	20	372	5	B	17	20	474	6	B				474	6	B	
	3	20	23	596	6	B	20	23	650	6	B				650	6	B	
	4	20	23	443	5	B	20	23	493	6	B				493	6	B	
	5	17	20	454	6	B	17	20	552	6	B				552	6	B	
	6	17	20	324	5	B	17	20	475	6	B				475	6	B	
	7	20	23	394	5	B	20	23	452	6	B				452	6	B	
	8	20	23	545	6	B	20	23	574	6	B				574	6	B	
<b>Sixth Ave @ 33rd St</b>	1	26	34	675	6	B	26	34	675	6	B				675	6	B	
	2	25	28	443	5	B	25	28	461	5	B				461	5	B	
	3	10	13	302	6	B	10	13	323	6	B				323	6	B	
	4	10	13	486	7	B	10	13	507	7	B				507	7	B	
	5	24	27	519	5	B	24	27	547	6	B				547	6	B	
	6	17	24	654	7	B	17	24	687	7	B				687	7	B	
	7	10	13	411	7	B	10	13	450	7	B				450	7	B	
	8	10	13	239	6	B	10	13	264	6	B				264	6	B	
<b>Sixth Ave @ 34th St</b>	1	0	0	0	N/A	N/A	0	0	0	N/A	N/A				0	N/A	N/A	
	2	10	17	1829	16	E	10	17	1850	16	E				1850	16	E	
	3	20	23	971	7	B	20	23	996	7	B				996	7	B	
	4	18	23	618	6	B	18	23	643	6	B				643	6	B	
	5	14	17	1762	12	D	14	17	1781	12	D				1781	12	D	
	6	0	0	0	N/A	N/A	0	0	0	N/A	N/A				0	N/A	N/A	
	7	0	0	0	N/A	N/A	0	0	0	N/A	N/A				0	N/A	N/A	
	8	0	0	0	N/A	N/A	0	0	0	N/A	N/A				0	N/A	N/A	
<b>Broadway @ 34th St</b>	1	25	30	1595	8	C	25	30	1710	9	C				1710	9	C	
	2	0	0	0	N/A	N/A	0	0	0	N/A	N/A				0	N/A	N/A	
	3	0	0	0	N/A	N/A	0	0	0	N/A	N/A				0	N/A	N/A	
	4	0	0	0	N/A	N/A	0	0	0	N/A	N/A				0	N/A	N/A	
	5	0	0	0	N/A	N/A	0	0	0	N/A	N/A				0	N/A	N/A	
	6	25	30	1777	9	C	25	30	1899	9	C				1899	9	C	
	7	18	23	1143	8	C	18	23	1170	8	C				1170	8	C	
	8	18	23	929	7	B	18	23	974	8	C				974	8	C	
<b>Blvd @ 33rd St</b>	1	0	0	0	N/A	N/A	15	15	1317	10	C				1317	10	C	
	2	0	0	0	N/A	N/A	15	18	824	8	C				824	8	C	
	3	0	0	0	N/A	N/A	15	18	749	7	B				749	7	B	
	4	0	0	0	N/A	N/A	10	13	1128	12	D				1128	12	D	
	5	0	0	0	N/A	N/A	0	0	0	N/A	N/A				0	N/A	N/A	
	6	0	0	0	N/A	N/A	0	0	0	N/A	N/A				0	N/A	N/A	
	7	0	0	0	N/A	N/A	10	13	447	7	B				447	7	B	
	8	0	0	0	N/A	N/A	15	18	480	6	B				480	6	B	
<b>Blvd @ 34th St</b>	1	0	0	0	N/A	N/A	15	18	1031	9	C				1031	9	C	
	2	0	0	0	N/A	N/A	15	18	728	7	B				728	7	B	
	3	0	0	0	N/A	N/A	26	30	772	6	B				772	6	B	
	4	0	0	0	N/A	N/A	26	30	839	6	B				839	6	B	
	5	0	0	0	N/A	N/A	15	18	799	8	C				799	8	C	
	6	0	0	0	N/A	N/A	15	18	786	7	B				786	7	B	
	7	0	0	0	N/A	N/A	26	30	621	6	B				621	6	B	
	8	0	0	0	N/A	N/A	26	30	866	6	B				866	6	B	

## Appendix S.5.3

### Pedestrian Improvement Analysis - Sidewalks Level of Service

#### 2025 Future Conditions (MD)

Intersection	Walkway Location	2025 Future without the Proposed Action					2025 Future with the Proposed Action						2025 Future with the Proposed Action (Improvement)					
		Effective Walkway width	Actual walkway width	Sidewalk Volumes	Platoon Flow Rate (ped/min/ft)	Platoon Level of Service	Effective Walkway width	Actual walkway width	Sidewalk Volumes	Platoon Flow Rate (ped/min/ft)	Platoon Level of Service	Impact?	Proposed Effective Walkway width	Proposed Actual walkway width	Sidewalk Volumes	Platoon Flow Rate (ped/min/ft)	Platoon Level of Service	Still Impact?
N.Blvd @ 35th St	1	0	0	0	N/A	N/A	0	0	0	N/A	N/A			0	N/A	N/A		
	2	0	0	0	N/A	N/A	15	18	966	8	C			966	8	C		
	3	0	0	0	N/A	N/A	20	24	536	6	B			536	6	B		
	4	0	0	0	N/A	N/A	15	18	396	6	B			396	6	B		
	5	0	0	0	N/A	N/A	15	18	918	8	C			918	8	C		
	6	0	0	0	N/A	N/A	15	18	1652	11	D			1652	11	D		
	7	0	0	0	N/A	N/A	15	18	165	5	B			165	5	B		
	8	0	0	0	N/A	N/A	0	0	0	N/A	N/A			0	N/A	N/A		
N.Blvd @ 36th St	1	0	0	0	N/A	N/A	0	0	0	N/A	N/A			0	N/A	N/A		
	2	0	0	0	N/A	N/A	15	18	733	7	B			733	7	B		
	3	0	0	0	N/A	N/A	18	22	229	5	B			229	5	B		
	4	0	0	0	N/A	N/A	15	18	308	5	B			308	5	B		
	5	0	0	0	N/A	N/A	15	18	870	8	C			870	8	C		
	6	0	0	0	N/A	N/A	0	0	0	N/A	N/A			0	N/A	N/A		
	7	0	0	0	N/A	N/A	0	0	0	N/A	N/A			0	N/A	N/A		
	8	0	0	0	N/A	N/A	0	0	0	N/A	N/A			0	N/A	N/A		
N.Blvd @ 37th St	1	0	0	0	N/A	N/A	0	0	0	N/A	N/A			0	N/A	N/A		
	2	0	0	0	N/A	N/A	15	18	694	7	B			694	7	B		
	3	0	0	0	N/A	N/A	18	22	556	6	B			556	6	B		
	4	0	0	0	N/A	N/A	14	17	104	4	B			104	4	B		
	5	0	0	0	N/A	N/A	15	18	654	7	B			654	7	B		
	6	0	0	0	N/A	N/A	0	0	0	N/A	N/A			0	N/A	N/A		
	7	0	0	0	N/A	N/A	0	0	0	N/A	N/A			0	N/A	N/A		
	8	0	0	0	N/A	N/A	0	0	0	N/A	N/A			0	N/A	N/A		
Blvd @ 38th St	1	0	0	0	N/A	N/A	15	18	842	8	C			842	8	C		
	2	0	0	0	N/A	N/A	15	18	469	6	B			469	6	B		
	3	0	0	0	N/A	N/A	18	22	514	6	B			514	6	B		
	4	0	0	0	N/A	N/A	14	17	304	5	B			304	5	B		
	5	0	0	0	N/A	N/A	15	18	597	7	B			597	7	B		
	6	0	0	0	N/A	N/A	15	18	1014	9	C			1014	9	C		
	7	0	0	0	N/A	N/A	14	17	85	4	B			85	4	B		
	8	0	0	0	N/A	N/A	18	22	427	6	B			427	6	B		
S.Blvd @ 35th St	1	0	0	0	N/A	N/A	15	18	1566	11	D			1566	11	D		
	2	0	0	0	N/A	N/A	0	0	0	N/A	N/A			0	N/A	N/A		
	3	0	0	0	N/A	N/A	0	0	0	N/A	N/A			0	N/A	N/A		
	4	0	0	0	N/A	N/A	0	0	0	N/A	N/A			0	N/A	N/A		
	5	0	0	0	N/A	N/A	0	0	0	N/A	N/A			0	N/A	N/A		
	6	0	0	0	N/A	N/A	0	0	0	N/A	N/A			0	N/A	N/A		
	7	0	0	0	N/A	N/A	15	18	165	5	B			165	5	B		
	8	0	0	0	N/A	N/A	20	24	428	5	B			428	5	B		
S.Blvd @ 36th St	1	0	0	0	N/A	N/A	15	18	1132	9	C			1132	9	C		
	2	0	0	0	N/A	N/A	0	0	0	N/A	N/A			0	N/A	N/A		
	3	0	0	0	N/A	N/A	0	0	0	N/A	N/A			0	N/A	N/A		
	4	0	0	0	N/A	N/A	0	0	0	N/A	N/A			0	N/A	N/A		
	5	0	0	0	N/A	N/A	0	0	0	N/A	N/A			0	N/A	N/A		
	6	0	0	0	N/A	N/A	15	18	1326	10	C			1326	10	C		
	7	0	0	0	N/A	N/A	15	18	169	5	B			169	5	B		
	8	0	0	0	N/A	N/A	18	22	188	5	B			188	5	B		

### Appendix S.5.3

#### Pedestrian Improvement Analysis - Sidewalks Level of Service

##### 2025 Future Conditions (MD)

Intersection	Walkway Location	2025 Future without the Proposed Action				
		Effective Walkway width	Actual walkway width	Sidewalk Volumes	Platoon Flow Rate (ped/min/ft)	Platoon Level of Service
S.Blvd @ 37th St	1	0	0	0	N/A	N/A
	2	0	0	0	N/A	N/A
	3	0	0	0	N/A	N/A
	4	0	0	0	N/A	N/A
	5	0	0	0	N/A	N/A
	6	0	0	0	N/A	N/A
	7	0	0	0	N/A	N/A
	8	0	0	0	N/A	N/A

2025 Future with the Proposed Action					
Effective Walkway width	Actual walkway width	Sidewalk Volumes	Platoon Flow Rate (ped/min/ft)	Platoon Level of Service	Impact?
15	18	1136	9	C	
0	0	0	N/A	N/A	
0	0	0	N/A	N/A	
0	0	0	N/A	N/A	
0	0	0	N/A	N/A	
0	0	0	N/A	N/A	
15	18	1134	9	C	
14	17	50	4	B	
18	22	461	6	B	

2025 Future with the Proposed Action (Improvement)					
Proposed Effective Walkway	Proposed Actual walkway width	Sidewalk Volumes	Platoon Flow Rate (ped/min/ft)	Platoon Level of Service	Still Impact?
		1136	9	C	
		0	N/A	N/A	
		0	N/A	N/A	
		0	N/A	N/A	
		0	N/A	N/A	
		0	N/A	N/A	
		1134	9	C	
		50	4	B	
		461	6	B	

## Appendix S.5.3

### Pedestrian Improvement Analysis - Sidewalks Level of Service

#### 2025 Future Conditions (PM)

Intersection	Walkway Location	2025 Future without the Proposed Action					2025 Future with the Proposed Action						2025 Future with the Proposed Action (Improvement)					
		Effective Walkway width	Actual walkway width	Sidewalk Volumes	Platoon Flow Rate (ped/min/ft)	Platoon Level of Service	Effective Walkway width	Actual walkway width	Sidewalk Volumes	Platoon Flow Rate (ped/min/ft)	Platoon Level of Service	Impact?	Proposed Effective Walkway width	Proposed Actual walkway width	Sidewalk Volumes	Platoon Flow Rate (ped/min/ft)	Platoon Level of Service	Still Impact?
Twelfth Ave @ 30th St	1	0	0	0	N/A	N/A	0	0	0	N/A	N/A				0	N/A	N/A	
	2	9	11	7	4	B	9	11	7	4	B				7	4	B	
	3	10	13	2	4	B	10	13	2	4	B				2	4	B	
	4	10	13	3	4	B	10	13	3	4	B				3	4	B	
	5	12	15	2	4	B	12	15	2	4	B				2	4	B	
	6	0	0	0	N/A	N/A	0	0	0	N/A	N/A				0	N/A	N/A	
	7	0	0	0	N/A	N/A	0	0	0	N/A	N/A				0	N/A	N/A	
	8	0	0	0	N/A	N/A	0	0	0	N/A	N/A				0	N/A	N/A	
Twelfth Ave @ 34th St	1	0	0	0	N/A	N/A	0	0	0	N/A	N/A				0	N/A	N/A	
	2	9	12	1	4	B	9	12	7	4	B				7	4	B	
	3	15	18	19	4	B	15	18	21	4	B				21	4	B	
	4	15	18	95	4	B	15	18	105	4	B				105	4	B	
	5	9	12	0	4	B	9	12	0	4	B				0	4	B	
	6	0	0	0	N/A	N/A	0	0	0	N/A	N/A				0	N/A	N/A	
	7	0	0	0	N/A	N/A	0	0	0	N/A	N/A				0	N/A	N/A	
	8	0	0	0	N/A	N/A	0	0	0	N/A	N/A				0	N/A	N/A	
Twelfth Ave @ 39th St	1	0	0	0	N/A	N/A	0	0	0	N/A	N/A				0	N/A	N/A	
	2	10	13	3	4	B	10	13	3	4	B				3	4	B	
	3	10	13	0	4	B	0	0	0	N/A	N/A				0	N/A	N/A	
	4	10	13	60	4	B	0	0	0	N/A	N/A				0	N/A	N/A	
	5	15	18	4	4	B	15	18	10	4	B				10	4	B	
	6	0	0	0	N/A	N/A	0	0	0	N/A	N/A				0	N/A	N/A	
	7	0	0	0	N/A	N/A	0	0	0	N/A	N/A				0	N/A	N/A	
	8	0	0	0	N/A	N/A	0	0	0	N/A	N/A				0	N/A	N/A	
Twelfth Ave @ 40th St	1	0	0	0	N/A	N/A	0	0	0	N/A	N/A				0	N/A	N/A	
	2	10	13	5	4	B	10	13	5	4	B				5	4	B	
	3	9	11	3	4	B	0	0	0	N/A	N/A				0	N/A	N/A	
	4	9	12	0	4	B	0	0	0	N/A	N/A				0	N/A	N/A	
	5	11	14	1	4	B	11	14	1	4	B				1	4	B	
	6	0	0	0	N/A	N/A	0	0	0	N/A	N/A				0	N/A	N/A	
	7	0	0	0	N/A	N/A	0	0	0	N/A	N/A				0	N/A	N/A	
	8	0	0	0	N/A	N/A	0	0	0	N/A	N/A				0	N/A	N/A	
Twelfth Ave @ 42nd St	1	0	0	0	N/A	N/A	0	0	0	N/A	N/A				0	N/A	N/A	
	2	17	20	29	4	B	17	20	33	4	B				33	4	B	
	3	12	15	114	5	B	12	15	110	5	B				110	5	B	
	4	23	26	114	4	B	23	26	118	4	B				118	4	B	
	5	17	20	18	4	B	17	20	18	4	B				18	4	B	
	6	0	0	0	N/A	N/A	0	0	0	N/A	N/A				0	N/A	N/A	
	7	0	0	0	N/A	N/A	0	0	0	N/A	N/A				0	N/A	N/A	
	8	0	0	0	N/A	N/A	0	0	0	N/A	N/A				0	N/A	N/A	
Eleventh Ave @ 29th St	1	12	15	23	4	B	12	15	133	5	B				133	5	B	
	2	12	15	48	4	B	12	15	205	5	B				205	5	B	
	3	10	13	7	4	B	10	13	88	5	B				88	5	B	
	4	10	13	11	4	B	10	13	23	4	B				23	4	B	
	5	12	15	47	4	B	12	15	149	5	B				149	5	B	
	6	12	15	19	4	B	12	15	91	5	B				91	5	B	
	7	10	13	8	4	B	10	13	8	4	B				8	4	B	
	8	10	13	4	4	B	10	13	4	4	B				4	4	B	

## Appendix S.5.3

### Pedestrian Improvement Analysis - Sidewalk Level of Service

#### 2025 Future Conditions (PM)

Intersection	Walkway Location	2025 Future without the Proposed Action					2025 Future with the Proposed Action						2025 Future with the Proposed Action (Improvement)					
		Effective Walkway width	Actual walkway width	Sidewalk Volumes	Platoon Flow Rate (ped/min/ft)	Platoon Level of Service	Effective Walkway width	Actual walkway width	Sidewalk Volumes	Platoon Flow Rate (ped/min/ft)	Platoon Level of Service	Impact?	Proposed Effective Walkway width	Proposed Actual walkway width	Sidewalk Volumes	Platoon Flow Rate (ped/min/ft)	Platoon Level of Service	Still Impact?
<b>Eleventh Ave @ 30th St</b>	1	12	15	18	4	B	12	15	90	5	B				90	5	B	
	2	12	15	57	4	B	17	20	180	5	B				180	5	B	
	3	10	13	30	4	B	10	13	130	5	B				130	5	B	
	4	10	13	7	4	B	10	13	29	4	B				29	4	B	
	5	12	15	71	4	B	12	15	246	5	B				246	5	B	
	6	12	15	26	4	B	12	15	153	5	B				153	5	B	
	7	10	13	6	4	B	10	13	6	4	B				6	4	B	
	8	10	13	9	4	B	10	13	47	4	B				47	4	B	
<b>Eleventh Ave @ 33rd St</b>	1	12	15	6	4	B	12	15	166	5	B				166	5	B	
	2	12	15	70	4	B	17	20	257	5	B				257	5	B	
	3	10	13	45	4	B	15	18	130	5	B				130	5	B	
	4	10	13	3	4	B	10	13	160	5	B				160	5	B	
	5	12	15	34	4	B	17	20	264	5	B				264	5	B	
	6	12	15	5	4	B	12	15	41	4	B				41	4	B	
	7	10	13	1	4	B	0	0	0	N/A	N/A				0	N/A	N/A	
	8	10	13	0	4	B	0	0	0	N/A	N/A				0	N/A	N/A	
<b>Eleventh Ave @ 34th St</b>	1	13	15	6	4	B	13	15	222	5	B				222	5	B	
	2	9	12	50	4	B	14	17	285	5	B				285	5	B	
	3	17	20	81	4	B	26	30	176	4	B				176	4	B	
	4	17	20	62	4	B	26	30	225	5	B				225	5	B	
	5	12	15	60	4	B	17	20	320	5	B				320	5	B	
	6	12	15	9	4	B	12	15	245	5	B				245	5	B	
	7	17	20	100	4	B	17	20	110	4	B				110	4	B	
	8	17	20	26	4	B	17	20	28	4	B				28	4	B	
<b>Eleventh Ave @ 35th St</b>	1	16	19	14	4	B	16	19	76	4	B				76	4	B	
	2	14	15	33	4	B	14	15	222	5	B				222	5	B	
	3	12	14	2	4	B	20	24	76	4	B				76	4	B	
	4	12	14	0	4	B	17	19	75	4	B				75	4	B	
	5	8	11	31	4	B	13	16	270	5	B				270	5	B	
	6	12	15	9	4	B	12	15	226	5	B				226	5	B	
	7	0	0	0	N/A	N/A	0	0	0	N/A	N/A				0	N/A	N/A	
	8	0	0	0	N/A	N/A	0	0	0	N/A	N/A				0	N/A	N/A	
<b>Eleventh Ave @ 36th St</b>	1	12	15	10	4	B	12	15	101	5	B				101	5	B	
	2	7	9	33	4	B	12	15	295	6	B				295	6	B	
	3	10	13	1	4	B	18	22	116	4	B				116	4	B	
	4	8	10	4	4	B	15	18	191	5	B				191	5	B	
	5	12	15	31	4	B	18	20	1384	9	C				1384	9	C	
	6	13	17	14	4	B	13	17	76	4	B				76	4	B	
	7	0	0	0	N/A	N/A	0	0	0	N/A	N/A				0	N/A	N/A	
	8	0	0	0	N/A	N/A	0	0	0	N/A	N/A				0	N/A	N/A	
<b>Eleventh Ave @ 37th St</b>	1	12	15	3	4	B	12	15	72	4	B				72	4	B	
	2	7	10	39	4	B	12	15	328	6	B				328	6	B	
	3	9	12	0	4	B	18	22	93	4	B				93	4	B	
	4	9	12	1	4	B	14	17	43	4	B				43	4	B	
	5	7	10	23	4	B	12	15	354	6	B				354	6	B	
	6	12	15	8	4	B	12	15	98	5	B				98	5	B	
	7	0	0	0	N/A	N/A	0	0	0	N/A	N/A				0	N/A	N/A	
	8	0	0	0	N/A	N/A	0	0	0	N/A	N/A				0	N/A	N/A	



## Appendix S.5.3

### Pedestrian Improvement Analysis - Sidewalks Level of Service

#### 2025 Future Conditions (PM)

Intersection	Walkway Location	2025 Future without the Proposed Action					2025 Future with the Proposed Action						2025 Future with the Proposed Action (Improvement)					
		Effective Walkway width	Actual walkway width	Sidewalk Volumes	Platoon Flow Rate (ped/min/ft)	Platoon Level of Service	Effective Walkway width	Actual walkway width	Sidewalk Volumes	Platoon Flow Rate (ped/min/ft)	Platoon Level of Service	Impact?	Proposed Effective Walkway width	Proposed Actual walkway width	Sidewalk Volumes	Platoon Flow Rate (ped/min/ft)	Platoon Level of Service	Still Impact?
<b>Eleventh Ave @ 38th St</b>	1	12	15	1	4	B	12	15	91	5	B				91	5	B	
	2	7	10	2	4	B	12	15	274	6	B				274	6	B	
	3	8	11	0	4	B	18	22	50	4	B				50	4	B	
	4	8	11	2	4	B	14	17	81	4	B				81	4	B	
	5	7	10	19	4	B	12	15	311	6	B				311	6	B	
	6	12	15	0	4	B	12	15	69	4	B				69	4	B	
	7	0	0	0	N/A	N/A	0	0	0	N/A	N/A				0	N/A	N/A	
	8	0	0	0	N/A	N/A	0	0	0	N/A	N/A				0	N/A	N/A	
<b>Eleventh Ave @ 39th St</b>	1	11	14	4	4	B	11	14	103	5	B				103	5	B	
	2	7	10	4	4	B	12	15	332	6	B				332	6	B	
	3	9	12	1	4	B	9	12	15	4	B				15	4	B	
	4	8	11	52	4	B	15	18	137	5	B				137	5	B	
	5	7	10	2	4	B	12	15	382	6	B				382	6	B	
	6	12	15	2	4	B	12	15	92	5	B				92	5	B	
	7	10	13	53	4	B	0	0	0	N/A	N/A				0	N/A	N/A	
	8	12	15	4	4	B	0	0	0	N/A	N/A				0	N/A	N/A	
<b>Eleventh Ave @ 40th St</b>	1	12	15	82	4	B	12	15	191	5	B				191	5	B	
	2	7	10	23	4	B	12	15	335	6	B				335	6	B	
	3	10	13	0	4	B	14	18	164	5	B				164	5	B	
	4	10	13	8	4	B	15	18	12	4	B				12	4	B	
	5	7	10	18	4	B	12	15	343	6	B				343	6	B	
	6	12	15	111	5	B	12	15	210	5	B				210	5	B	
	7	10	13	1	4	B	0	0	0	N/A	N/A				0	N/A	N/A	
	8	10	13	6	4	B	0	0	0	N/A	N/A				0	N/A	N/A	
<b>Eleventh Ave @ 42nd St</b>	1	13	16	66	4	B	13	16	176	5	B				176	5	B	
	2	13	16	14	4	B	13	16	109	5	B				109	5	B	
	3	12	15	252	5	B	12	15	286	6	B				286	6	B	
	4	12	15	152	5	B	12	15	584	7	B				584	7	B	
	5	12	16	1	4	B	12	16	334	6	B				334	6	B	
	6	12	15	87	4	B	12	15	136	5	B				136	5	B	
	7	12	16	117	5	B	12	16	121	5	B				121	5	B	
	8	12	16	204	5	B	12	16	286	6	B				286	6	B	
<b>Tenth Ave @ 29th St</b>	1	12	15	87	4	B	12	15	314	6	B				314	6	B	
	2	12	15	58	4	B	12	15	138	5	B				138	5	B	
	3	10	13	61	4	B	10	13	85	5	B				85	5	B	
	4	10	13	46	4	B	10	13	70	4	B				70	4	B	
	5	12	15	53	4	B	12	15	118	5	B				118	5	B	
	6	12	15	147	5	B	12	15	317	6	B				317	6	B	
	7	10	13	54	4	B	10	13	66	4	B				66	4	B	
	8	10	13	29	4	B	10	13	38	4	B				38	4	B	
<b>Tenth Ave @ 30th St</b>	1	13	16	83	4	B	13	16	306	6	B				306	6	B	
	2	12	15	70	4	B	12	15	194	5	B				194	5	B	
	3	10	13	51	4	B	10	13	166	5	B				166	5	B	
	4	12	15	38	4	B	12	15	81	4	B				81	4	B	
	5	12	15	56	4	B	12	15	160	5	B				160	5	B	
	6	12	15	106	5	B	12	15	357	6	B				357	6	B	
	7	11	14	41	4	B	11	14	66	4	B				66	4	B	
	8	11	14	43	4	B	11	14	255	6	B				255	6	B	

## Appendix S.5.3

### Pedestrian Improvement Analysis - Sidewalks Level of Service

#### 2025 Future Conditions (PM)

Intersection	Walkway Location	2025 Future without the Proposed Action					2025 Future with the Proposed Action						2025 Future with the Proposed Action (Improvement)					
		Effective Walkway width	Actual walkway width	Sidewalk Volumes	Platoon Flow Rate (ped/min/ft)	Platoon Level of Service	Effective Walkway width	Actual walkway width	Sidewalk Volumes	Platoon Flow Rate (ped/min/ft)	Platoon Level of Service	Impact?	Proposed Effective Walkway width	Proposed Actual walkway width	Sidewalk Volumes	Platoon Flow Rate (ped/min/ft)	Platoon Level of Service	Still Impact?
<b>Tenth Ave @ 31st St</b>	1	12	15	84	4	B	12	15	761	8	C				761	8	C	
	2	12	15	62	4	B	12	15	204	5	B				204	5	B	
	3	11	13	53	4	B	11	13	599	8	C				599	8	C	
	4	11	13	19	4	B	11	13	120	5	B				120	5	B	
	5	12	15	87	4	B	12	15	232	5	B				232	5	B	
	6	12	15	97	5	B	12	15	326	6	B				326	6	B	
	7	0	0	0	N/A	N/A	0	0	0	N/A	N/A				0	N/A	N/A	
	8	0	0	0	N/A	N/A	0	0	0	N/A	N/A				0	N/A	N/A	
<b>Tenth Ave @ 33rd St</b>	1	12	15	52	4	B	12	15	826	9	C				826	9	C	
	2	12	15	60	4	B	12	15	732	8	C				732	8	C	
	3	10	13	56	4	B	10	13	835	10	C				835	10	C	
	4	10	13	138	5	B	10	13	1737	16	E	Yes			1737	16	E	Yes
	5	12	15	59	4	B	12	15	312	6	B				312	6	B	
	6	12	15	65	4	B	12	15	919	9	C				919	9	C	
	7	10	13	53	4	B	10	13	1319	13	D				1319	13	D	
	8	10	13	64	4	B	15	18	834	8	C				834	8	C	
<b>Tenth Ave @ 34th St</b>	1	12	15	62	4	B	12	15	765	8	C				765	8	C	
	2	12	15	50	4	B	12	15	377	6	B				377	6	B	
	3	17	20	136	5	B	17	20	627	6	B				627	6	B	
	4	17	20	176	5	B	17	20	854	7	B				854	7	B	
	5	12	15	86	4	B	12	15	515	7	B				515	7	B	
	6	12	15	38	4	B	12	15	1029	10	C				1029	10	C	
	7	17	20	142	5	B	26	30	657	6	B				657	6	B	
	8	17	20	123	4	B	26	30	846	6	B				846	6	B	
<b>Tenth Ave @ 35th St</b>	1	13	16	43	4	B	13	16	486	6	B				486	6	B	
	2	13	15	76	4	B	13	15	326	6	B				326	6	B	
	3	12	15	68	4	B	12	15	418	6	B				418	6	B	
	4	7	9	1	4	B	7	9	385	8	C				385	8	C	
	5	13	15	56	4	B	13	15	370	6	B				370	6	B	
	6	11	15	43	4	B	11	15	698	8	C				698	8	C	
	7	10	13	23	4	B	15	18	275	5	B				275	5	B	
	8	12	14	47	4	B	20	24	486	6	B				486	6	B	
<b>Tenth Ave @ 36th St</b>	1	12	15	38	4	B	12	15	333	6	B				333	6	B	
	2	10	16	40	4	B	10	16	279	6	B				279	6	B	
	3	9	12	20	4	B	9	12	292	6	B				292	6	B	
	4	9	12	35	4	B	9	12	142	5	B				142	5	B	
	5	12	15	45	4	B	12	15	281	6	B				281	6	B	
	6	12	15	41	4	B	12	15	411	6	B				411	6	B	
	7	9	12	25	4	B	15	18	162	5	B				162	5	B	
	8	10	12	7	4	B	18	22	207	5	B				207	5	B	
<b>Tenth Ave @ 37th St</b>	1	5	15	24	4	B	12	15	297	6	B				297	6	B	
	2	5	15	35	4	B	5	15	312	8	C				312	8	C	
	3	9	12	22	4	B	9	12	232	6	B				232	6	B	
	4	9	12	19	4	B	9	12	171	5	B				171	5	B	
	5	12	15	35	4	B	12	15	249	5	B				249	5	B	
	6	12	15	21	4	B	12	15	342	6	B				342	6	B	
	7	9	12	16	4	B	14	17	117	5	B				117	5	B	
	8	9	12	21	4	B	18	22	249	5	B				249	5	B	

## Appendix S.5.3

### Pedestrian Improvement Analysis - Sidewalks Level of Service

#### 2025 Future Conditions (PM)

Intersection	Walkway Location	2025 Future without the Proposed Action					2025 Future with the Proposed Action						2025 Future with the Proposed Action (Improvement)					
		Effective Walkway width	Actual walkway width	Sidewalk Volumes	Platoon Flow Rate (ped/min/ft)	Platoon Level of Service	Effective Walkway width	Actual walkway width	Sidewalk Volumes	Platoon Flow Rate (ped/min/ft)	Platoon Level of Service	Impact?	Proposed Effective Walkway width	Proposed Actual walkway width	Sidewalk Volumes	Platoon Flow Rate (ped/min/ft)	Platoon Level of Service	Still Impact?
<b>Tenth Ave @ 38th St</b>	1	12	15	24	4	B	12	15	369	6	B				369	6	B	
	2	12	15	26	4	B	12	15	280	6	B				280	6	B	
	3	9	12	21	4	B	9	12	182	5	B				182	5	B	
	4	9	12	18	4	B	9	12	160	5	B				160	5	B	
	5	12	15	29	4	B	12	15	317	6	B				317	6	B	
	6	12	15	22	4	B	12	15	315	6	B				315	6	B	
	7	9	12	16	4	B	14	17	194	5	B				194	5	B	
	8	9	12	36	4	B	18	22	271	5	B				271	5	B	
<b>Tenth Ave @ 39th St</b>	1	12	15	17	4	B	12	15	421	6	B				421	6	B	
	2	12	15	27	4	B	12	15	491	7	B				491	7	B	
	3	9	12	32	4	B	9	12	108	5	B				108	5	B	
	4	9	12	40	4	B	9	12	188	5	B				188	5	B	
	5	12	15	36	4	B	12	15	273	6	B				273	6	B	
	6	12	15	19	4	B	12	15	399	6	B				399	6	B	
	7	10	13	37	4	B	15	18	249	5	B				249	5	B	
	8	7	10	30	4	B	7	10	251	6	B				251	6	B	
<b>Tenth Ave @ 40th St</b>	1	12	15	35	4	B	12	15	500	7	B				500	7	B	
	2	12	15	55	4	B	12	15	689	8	C				689	8	C	
	3	9	12	40	4	B	9	12	245	6	B				245	6	B	
	4	9	12	12	4	B	9	12	50	4	B				50	4	B	
	5	12	15	40	4	B	12	15	502	7	B				502	7	B	
	6	12	15	36	4	B	12	15	438	6	B				438	6	B	
	7	10	13	4	4	B	10	13	12	4	B				12	4	B	
	8	10	13	16	4	B	14	18	114	5	B				114	5	B	
<b>Tenth Ave @ 41st St</b>	1	12	15	39	4	B	12	15	256	5	B				256	5	B	
	2	14	16	86	4	B	14	16	431	6	B				431	6	B	
	3	8	10	83	5	B	8	10	120	5	B				120	5	B	
	4	12	14	27	4	B	12	14	116	5	B				116	5	B	
	5	13	16	67	4	B	13	16	1470	12	D				1470	12	D	
	6	8	10	42	4	B	8	10	545	9	C				545	9	C	
	7	13	17	12	4	B	13	17	352	6	B				352	6	B	
	8	9	12	68	5	B	9	12	99	5	B				99	5	B	
<b>Tenth Ave @ 42nd St</b>	1	17	20	70	4	B	17	20	171	5	B				171	5	B	
	2	17	22	109	4	B	17	22	231	5	B				231	5	B	
	3	18	21	372	5	B	18	21	440	6	B				440	6	B	
	4	12	20	242	5	B	12	20	1038	10	C				1038	10	C	
	5	8	16	65	5	B	8	16	346	7	B				346	7	B	
	6	13	16	52	4	B	13	16	249	5	B				249	5	B	
	7	13	15	169	5	B	13	15	688	8	C				688	8	C	
	8	13	15	351	6	B	13	15	410	6	B				410	6	B	
<b>Dyer @ 42nd St</b>	1	0	0	0	N/A	N/A	0	0	0	N/A	N/A				0	N/A	N/A	
	2	0	0	0	N/A	N/A	0	0	0	N/A	N/A				0	N/A	N/A	
	3	19	21	291	5	B	19	21	290	5	B				290	5	B	
	4	18	20	139	5	B	18	20	129	4	B				129	4	B	
	5	6	6	18	4	B	6	6	18	4	B				18	4	B	
	6	2	4	4	4	B	2	4	4	4	B				4	4	B	
	7	18	20	128	4	B	18	20	118	4	B				118	4	B	
	8	19	21	241	5	B	19	21	240	5	B				240	5	B	

## Appendix S.5.3

### Pedestrian Improvement Analysis - Sidewalks Level of Service

#### 2025 Future Conditions (PM)

Intersection	Walkway Location	2025 Future without the Proposed Action					2025 Future with the Proposed Action						2025 Future with the Proposed Action (Improvement)					
		Effective Walkway width	Actual walkway width	Sidewalk Volumes	Platoon Flow Rate (ped/min/ft)	Platoon Level of Service	Effective Walkway width	Actual walkway width	Sidewalk Volumes	Platoon Flow Rate (ped/min/ft)	Platoon Level of Service	Impact?	Proposed Effective Walkway width	Proposed Actual walkway width	Sidewalk Volumes	Platoon Flow Rate (ped/min/ft)	Platoon Level of Service	Still Impact?
<b>Ninth Ave @ 30th St</b>	1	14	16	126	5	B	14	16	177	5	B				177	5	B	
	2	8	15	234	6	B	8	15	298	6	B				298	6	B	
	3	6	13	59	5	B	6	13	101	5	B				101	5	B	
	4	10	13	79	5	B	10	13	116	5	B				116	5	B	
	5	13	16	158	5	B	13	16	257	5	B				257	5	B	
	6	13	16	136	5	B	13	16	214	5	B				214	5	B	
	7	11	14	125	5	B	11	14	159	5	B				159	5	B	
	8	10	12	60	4	B	10	12	168	5	B				168	5	B	
<b>Ninth Ave @ 31st St</b>	1	12	15	148	5	B	17	20	469	6	B				469	6	B	
	2	10	13	99	5	B	10	13	333	6	B				333	6	B	
	3	10	13	383	7	B	10	13	470	7	B				470	7	B	
	4	10	13	132	5	B	10	13	198	5	B				198	5	B	
	5	12	15	265	5	B	12	15	359	6	B				359	6	B	
	6	12	15	111	5	B	12	15	190	5	B				190	5	B	
	7	10	13	72	4	B	10	13	168	5	B				168	5	B	
	8	10	13	121	5	B	10	13	689	9	C				689	9	C	
<b>Ninth Ave @ 33rd St</b>	1	12	15	221	5	B	12	15	467	7	B				467	7	B	
	2	12	15	238	5	B	12	15	447	6	B				447	6	B	
	3	10	13	174	5	B	10	13	403	7	B				403	7	B	
	4	10	13	736	9	C	10	13	1191	12	D				1191	12	D	
	5	12	15	62	4	B	12	15	777	8	C				777	8	C	
	6	12	15	281	6	B	17	20	1140	8	C				1140	8	C	
	7	10	13	384	7	B	15	18	1830	12	D				1830	12	D	
	8	10	13	55	4	B	10	13	825	10	C				825	10	C	
<b>Ninth Ave @ 34th St</b>	1	11	15	294	6	B	11	15	456	7	B				456	7	B	
	2	12	15	357	6	B	12	15	475	7	B				475	7	B	
	3	19	23	409	5	B	19	23	934	7	B				934	7	B	
	4	19	23	419	5	B	19	23	863	7	B				863	7	B	
	5	12	15	390	6	B	12	15	608	7	B				608	7	B	
	6	12	15	315	6	B	12	15	568	7	B				568	7	B	
	7	16	20	292	5	B	16	20	973	8	C				973	8	C	
	8	15	20	234	5	B	15	20	709	7	B				709	7	B	
<b>Ninth Ave @ 37th St</b>	1	12	15	315	6	B	12	15	432	6	B				432	6	B	
	2	12	15	272	6	B	12	15	386	6	B				386	6	B	
	3	9	12	137	5	B	9	12	265	6	B				265	6	B	
	4	9	12	71	5	B	9	12	183	5	B				183	5	B	
	5	10	15	309	6	B	10	15	444	7	B				444	7	B	
	6	12	15	279	6	B	12	15	401	6	B				401	6	B	
	7	6	12	73	5	B	6	12	219	6	B				219	6	B	
	8	9	12	90	5	B	9	12	284	6	B				284	6	B	
<b>Ninth Ave @ 38th St</b>	1	10	15	129	5	B	10	15	191	5	B				191	5	B	
	2	8	15	130	5	B	8	15	318	7	B				318	7	B	
	3	8	11	95	5	B	8	11	158	5	B				158	5	B	
	4	8	11	29	4	B	8	11	145	5	B				145	5	B	
	5	10	15	193	5	B	10	15	295	6	B				295	6	B	
	6	12	15	98	5	B	12	15	220	5	B				220	5	B	
	7	8	11	24	4	B	8	11	150	5	B				150	5	B	
	8	8	11	41	4	B	8	11	186	6	B				186	6	B	

## Appendix S.5.3

### Pedestrian Improvement Analysis - Sidewalks Level of Service

#### 2025 Future Conditions (PM)

Intersection	Walkway Location	2025 Future without the Proposed Action					2025 Future with the Proposed Action						2025 Future with the Proposed Action (Improvement)					
		Effective Walkway width	Actual walkway width	Sidewalk Volumes	Platoon Flow Rate (ped/min/ft)	Platoon Level of Service	Effective Walkway width	Actual walkway width	Sidewalk Volumes	Platoon Flow Rate (ped/min/ft)	Platoon Level of Service	Impact?	Proposed Effective Walkway width	Proposed Actual walkway width	Sidewalk Volumes	Platoon Flow Rate (ped/min/ft)	Platoon Level of Service	Still Impact?
<b>Ninth Ave @ 39th St</b>	1	8	15	153	5	B	8	15	257	6	B				257	6	B	
	2	11	15	305	6	B	11	15	539	7	B				539	7	B	
	3	9	12	81	5	B	9	12	109	5	B				109	5	B	
	4	9	12	87	5	B	9	12	156	5	B				156	5	B	
	5	10	15	310	6	B	10	15	478	7	B				478	7	B	
	6	12	15	163	5	B	12	15	197	5	B				197	5	B	
	7	9	12	47	4	B	9	12	181	5	B				181	5	B	
	8	9	12	55	4	B	9	12	131	5	B				131	5	B	
<b>Ninth Ave @ 42nd St</b>	1	13	16	376	6	B	13	16	406	6	B				406	6	B	
	2	8	10	359	7	B	8	10	426	8	C				426	8	C	
	3	8	11	570	9	C	8	11	713	10	C				713	10	C	
	4	12	19	464	7	B	12	19	651	8	C				651	8	C	
	5	8	14	374	7	B	8	14	440	8	C				440	8	C	
	6	8	15	199	6	B	8	15	249	6	B				249	6	B	
	7	13	20	297	6	B	13	20	605	7	B				605	7	B	
	8	18	21	478	6	B	18	21	536	6	B				536	6	B	
<b>Eighth Ave @ 30th St</b>	1	11	14	301	6	B	11	14	410	6	B				410	6	B	
	2	11	15	453	7	B	11	15	730	8	C				730	8	C	
	3	9	13	160	5	B	9	13	238	6	B				238	6	B	
	4	11	14	63	4	B	11	14	92	5	B				92	5	B	
	5	12	15	308	6	B	12	15	497	7	B				497	7	B	
	6	11	14	246	5	B	11	14	328	6	B				328	6	B	
	7	10	14	71	4	B	10	14	123	5	B				123	5	B	
	8	10	13	84	5	B	10	13	120	5	B				120	5	B	
<b>Eighth Ave @ 31st St</b>	1	12	16	313	6	B	12	16	367	6	B				367	6	B	
	2	18	24	230	5	B	17	20	455	6	B				455	6	B	
	3	35	49	451	5	B	15	18	673	7	B				673	7	B	
	4	10	14	55	4	B	10	14	133	5	B				133	5	B	
	5	12	15	179	5	B	12	15	466	7	B				466	7	B	
	6	12	15	181	5	B	12	15	308	6	B				308	6	B	
	7	10	13	138	5	B	10	13	197	5	B				197	5	B	
	8	21	24	381	5	B	21	24	460	5	B				460	5	B	
<b>Eighth Ave @ 33rd St</b>	1	12	15	1216	11	D	12	15	1343	11	D				1343	11	D	
	2	12	19	487	7	B	12	19	1044	10	C				1044	10	C	
	3	10	17	457	7	B	10	17	596	8	C				596	8	C	
	4	30	43	883	6	B	15	18	1277	10	C				1277	10	C	
	5	30	43	559	5	B	17	20	1061	8	C				1061	8	C	
	6	12	16	423	6	B	12	16	477	7	B				477	7	B	
	7	13	24	1200	10	C	13	24	1416	11	D				1416	11	D	
	8	7	14	375	8	C	7	14	634	10	C				634	10	C	
<b>Eighth Ave @ 34th St</b>	1	11	15	680	8	C	11	15	853	9	C				853	9	C	
	2	11	15	318	6	B	11	15	524	7	B				524	7	B	
	3	19	22	508	6	B	19	22	590	6	B				590	6	B	
	4	19	22	358	5	B	19	22	519	6	B				519	6	B	
	5	12	15	284	6	B	12	15	893	9	C				893	9	C	
	6	11	15	812	9	C	11	15	933	10	C				933	10	C	
	7	12	22	263	5	B	12	22	691	8	C				691	8	C	
	8	18	22	695	7	B	18	22	1204	8	C				1204	8	C	

## Appendix S.5.3

### Pedestrian Improvement Analysis - Sidewalks Level of Service

#### 2025 Future Conditions (PM)

Intersection	Walkway Location	2025 Future without the Proposed Action					2025 Future with the Proposed Action						2025 Future with the Proposed Action (Improvement)					
		Effective Walkway width	Actual walkway width	Sidewalk Volumes	Platoon Flow Rate (ped/min/ft)	Platoon Level of Service	Effective Walkway width	Actual walkway width	Sidewalk Volumes	Platoon Flow Rate (ped/min/ft)	Platoon Level of Service	Impact?	Proposed Effective Walkway width	Proposed Actual walkway width	Sidewalk Volumes	Platoon Flow Rate (ped/min/ft)	Platoon Level of Service	Still Impact?
<b>Eighth Ave @ 37th St</b>	1	8	15	658	9	C	8	15	732	10	C				732	10	C	
	2	12	15	807	8	C	12	15	865	9	C				865	9	C	
	3	9	12	141	5	B	9	12	176	5	B				176	5	B	
	4	6	12	131	5	B	6	12	168	6	B				168	6	B	
	5	9	15	573	8	C	9	15	642	9	C				642	9	C	
	6	9	15	870	10	C	9	15	928	11	D				928	11	D	
	7	5	12	165	6	B	5	12	257	7	B				257	7	B	
	8	10	13	79	5	B	10	13	175	5	B				175	5	B	
<b>Eighth Ave @ 38th St</b>	1	8	15	723	10	C	8	15	824	11	D				824	11	D	
	2	10	15	458	7	B	10	15	535	8	C				535	8	C	
	3	5	12	108	5	B	5	12	152	6	B				152	6	B	
	4	9	12	46	4	B	9	12	82	5	B				82	5	B	
	5	8	15	743	10	C	8	15	792	11	D				792	11	D	
	6	10	15	635	8	C	10	15	701	9	C				701	9	C	
	7	8	11	5	4	B	8	11	161	5	B				161	5	B	
	8	8	11	51	4	B	8	11	98	5	B				98	5	B	
<b>Eighth Ave @ 39th St</b>	1	12	15	1114	10	C	12	15	1206	11	D				1206	11	D	
	2	11	15	1301	12	D	11	15	1387	12	D				1387	12	D	
	3	8	12	174	5	B	8	12	190	6	B				190	6	B	
	4	9	12	242	6	B	9	12	276	6	B				276	6	B	
	5	12	15	892	9	C	12	15	964	9	C				964	9	C	
	6	12	15	1217	11	D	12	15	1314	11	D				1314	11	D	
	7	9	12	130	5	B	9	12	223	6	B				223	6	B	
	8	9	12	163	5	B	9	12	174	5	B				174	5	B	
<b>Eighth Ave @ 42nd St</b>	1	7	15	1806	21	E	7	15	1803	21	E				1803	21	E	
	2	16	16	819	7	B	16	16	826	7	B				826	7	B	
	3	15	23	604	7	B	15	23	687	7	B				687	7	B	
	4	14	16	1950	13	D	14	16	2016	14	D				2016	14	D	
	5	7	12	1235	16	E	7	12	1237	16	E				1237	16	E	
	6	12	29	1878	14	D	12	29	1919	15	D				1919	15	D	
	7	12	34	896	9	C	12	34	1114	10	C				1114	10	C	
	8	12	20	1048	10	C	12	20	1182	11	D				1182	11	D	
<b>Seventh Ave @ 31st St</b>	1	19	23	781	7	B	19	23	855	7	B				855	7	B	
	2	19	23	746	7	B	19	23	758	7	B				758	7	B	
	3	10	13	803	9	C	10	13	916	10	C				916	10	C	
	4	10	13	609	8	C	10	13	625	8	C				625	8	C	
	5	17	20	688	7	B	17	20	762	7	B				762	7	B	
	6	16	20	560	6	B	16	20	597	6	B				597	6	B	
	7	10	13	446	7	B	10	13	465	7	B				465	7	B	
	8	15	18	639	7	B	15	18	794	8	C				794	8	C	
<b>Seventh Ave @ 33rd St</b>	1	16	20	674	7	B	16	20	830	7	B				830	7	B	
	2	15	20	740	7	B	15	20	768	7	B				768	7	B	
	3	7	13	689	11	D	7	13	806	12	D				806	12	D	
	4	10	13	733	9	C	10	13	865	10	C				865	10	C	
	5	15	20	564	7	B	15	20	574	7	B				574	7	B	
	6	37	40	754	5	B	37	40	820	5	B				820	5	B	
	7	37	40	887	6	B	37	40	1204	6	B				1204	6	B	
	8	9	15	648	9	C	9	15	708	9	C				708	9	C	

## Appendix S.5.3

### Pedestrian Improvement Analysis - Sidewalks Level of Service

#### 2025 Future Conditions (PM)

Intersection	Walkway Location	2025 Future without the Proposed Action					2025 Future with the Proposed Action						2025 Future with the Proposed Action (Improvement)					
		Effective Walkway width	Actual walkway width	Sidewalk Volumes	Platoon Flow Rate (ped/min/ft)	Platoon Level of Service	Effective Walkway width	Actual walkway width	Sidewalk Volumes	Platoon Flow Rate (ped/min/ft)	Platoon Level of Service	Impact?	Proposed Effective Walkway width	Proposed Actual walkway width	Sidewalk Volumes	Platoon Flow Rate (ped/min/ft)	Platoon Level of Service	Still Impact?
<b>Seventh Ave @ 34th St</b>	1	17	20	1113	8	C	17	20	1186	9	C				1186	9	C	
	2	17	20	1102	8	C	17	20	1130	8	C				1130	8	C	
	3	20	23	1074	8	C	20	23	1124	8	C				1124	8	C	
	4	20	23	866	7	B	20	23	948	7	B				948	7	B	
	5	17	20	922	8	C	17	20	944	8	C				944	8	C	
	6	17	20	836	7	B	17	20	987	8	C				987	8	C	
	7	20	23	1015	7	B	20	23	1158	8	C				1158	8	C	
	8	20	23	1214	8	C	20	23	1285	8	C				1285	8	C	
<b>Sixth Ave @ 33rd St</b>	1	26	34	1194	7	B	26	34	1204	7	B				1204	7	B	
	2	25	28	643	6	B	25	28	708	6	B				708	6	B	
	3	10	13	636	8	C	10	13	680	9	C				680	9	C	
	4	10	13	764	9	C	10	13	809	9	C				809	9	C	
	5	24	27	604	6	B	24	27	751	6	B				751	6	B	
	6	17	24	1407	10	C	17	24	1570	10	C				1570	10	C	
	7	10	13	994	11	D	10	13	1118	11	D				1118	11	D	
	8	10	13	501	7	B	10	13	559	8	C				559	8	C	
<b>Sixth Ave @ 34th St</b>	1	0	0	0	N/A	N/A	0	0	0	N/A	N/A				0	N/A	N/A	
	2	10	17	1620	15	D	10	17	1684	15	D				1684	15	D	
	3	20	23	1557	9	C	20	23	1601	9	C				1601	9	C	
	4	18	23	1130	8	C	18	23	1174	8	C				1174	8	C	
	5	14	17	1033	9	C	14	17	1097	9	C				1097	9	C	
	6	0	0	0	N/A	N/A	0	0	0	N/A	N/A				0	N/A	N/A	
	7	0	0	0	N/A	N/A	0	0	0	N/A	N/A				0	N/A	N/A	
	8	0	0	0	N/A	N/A	0	0	0	N/A	N/A				0	N/A	N/A	
<b>Broadway @ 34th St</b>	1	25	30	1938	9	C	25	30	1975	9	C				1975	9	C	
	2	0	0	0	N/A	N/A	0	0	0	N/A	N/A				0	N/A	N/A	
	3	0	0	0	N/A	N/A	0	0	0	N/A	N/A				0	N/A	N/A	
	4	0	0	0	N/A	N/A	0	0	0	N/A	N/A				0	N/A	N/A	
	5	0	0	0	N/A	N/A	0	0	0	N/A	N/A				0	N/A	N/A	
	6	25	30	1893	9	C	25	30	1957	9	C				1957	9	C	
	7	18	23	1921	11	D	18	23	1965	11	D				1965	11	D	
	8	18	23	2107	12	D	18	23	2179	12	D				2179	12	D	
<b>Blvd @ 33rd St</b>	1	0	0	0	N/A	N/A	15	15	2492	15	D				2492	15	D	
	2	0	0	0	N/A	N/A	15	18	361	6	B				361	6	B	
	3	0	0	0	N/A	N/A	15	18	1013	9	C				1013	9	C	
	4	0	0	0	N/A	N/A	10	13	811	9	C				811	9	C	
	5	0	0	0	N/A	N/A	0	0	0	N/A	N/A				0	N/A	N/A	
	6	0	0	0	N/A	N/A	0	0	0	N/A	N/A				0	N/A	N/A	
	7	0	0	0	N/A	N/A	10	13	304	6	B				304	6	B	
	8	0	0	0	N/A	N/A	15	18	295	5	B				295	5	B	
<b>Blvd @ 34th St</b>	1	0	0	0	N/A	N/A	15	18	1182	9	C				1182	9	C	
	2	0	0	0	N/A	N/A	15	18	671	7	B				671	7	B	
	3	0	0	0	N/A	N/A	26	30	648	6	B				648	6	B	
	4	0	0	0	N/A	N/A	26	30	527	5	B				527	5	B	
	5	0	0	0	N/A	N/A	15	18	764	7	B				764	7	B	
	6	0	0	0	N/A	N/A	15	18	434	6	B				434	6	B	
	7	0	0	0	N/A	N/A	26	30	577	5	B				577	5	B	
	8	0	0	0	N/A	N/A	26	30	367	5	B				367	5	B	

## Appendix S.5.3

### Pedestrian Improvement Analysis - Sidewalks Level of Service

#### 2025 Future Conditions (PM)

Intersection	Walkway Location	2025 Future without the Proposed Action					2025 Future with the Proposed Action						2025 Future with the Proposed Action (Improvement)					
		Effective Walkway width	Actual walkway width	Sidewalk Volumes	Platoon Flow Rate (ped/min/ft)	Platoon Level of Service	Effective Walkway width	Actual walkway width	Sidewalk Volumes	Platoon Flow Rate (ped/min/ft)	Platoon Level of Service	Impact?	Proposed Effective Walkway width	Proposed Actual walkway width	Sidewalk Volumes	Platoon Flow Rate (ped/min/ft)	Platoon Level of Service	Still Impact?
<b>N.Blvd @ 35th St</b>	1	0	0	0	N/A	N/A	0	0	0	N/A	N/A			0	N/A	N/A		
	2	0	0	0	N/A	N/A	15	18	499	6	B			499	6	B		
	3	0	0	0	N/A	N/A	20	24	442	5	B			442	5	B		
	4	0	0	0	N/A	N/A	15	18	316	5	B			316	5	B		
	5	0	0	0	N/A	N/A	15	18	626	7	B			626	7	B		
	6	0	0	0	N/A	N/A	15	18	1306	10	C			1306	10	C		
	7	0	0	0	N/A	N/A	15	18	75	4	B			75	4	B		
	8	0	0	0	N/A	N/A	0	0	0	N/A	N/A			0	N/A	N/A		
<b>N.Blvd @ 36th St</b>	1	0	0	0	N/A	N/A	0	0	0	N/A	N/A			0	N/A	N/A		
	2	0	0	0	N/A	N/A	15	18	305	5	B			305	5	B		
	3	0	0	0	N/A	N/A	18	22	170	5	B			170	5	B		
	4	0	0	0	N/A	N/A	15	18	182	5	B			182	5	B		
	5	0	0	0	N/A	N/A	15	18	336	5	B			336	5	B		
	6	0	0	0	N/A	N/A	0	0	0	N/A	N/A			0	N/A	N/A		
	7	0	0	0	N/A	N/A	0	0	0	N/A	N/A			0	N/A	N/A		
	8	0	0	0	N/A	N/A	0	0	0	N/A	N/A			0	N/A	N/A		
<b>N.Blvd @ 37th St</b>	1	0	0	0	N/A	N/A	0	0	0	N/A	N/A			0	N/A	N/A		
	2	0	0	0	N/A	N/A	15	18	294	5	B			294	5	B		
	3	0	0	0	N/A	N/A	18	22	205	5	B			205	5	B		
	4	0	0	0	N/A	N/A	14	17	112	5	B			112	5	B		
	5	0	0	0	N/A	N/A	15	18	337	5	B			337	5	B		
	6	0	0	0	N/A	N/A	0	0	0	N/A	N/A			0	N/A	N/A		
	7	0	0	0	N/A	N/A	0	0	0	N/A	N/A			0	N/A	N/A		
	8	0	0	0	N/A	N/A	0	0	0	N/A	N/A			0	N/A	N/A		
<b>Blvd @ 38th St</b>	1	0	0	0	N/A	N/A	15	18	894	8	C			894	8	C		
	2	0	0	0	N/A	N/A	15	18	263	5	B			263	5	B		
	3	0	0	0	N/A	N/A	18	22	165	5	B			165	5	B		
	4	0	0	0	N/A	N/A	14	17	181	5	B			181	5	B		
	5	0	0	0	N/A	N/A	15	18	308	5	B			308	5	B		
	6	0	0	0	N/A	N/A	15	18	1071	9	C			1071	9	C		
	7	0	0	0	N/A	N/A	14	17	79	4	B			79	4	B		
	8	0	0	0	N/A	N/A	18	22	139	5	B			139	5	B		
<b>S.Blvd @ 35th St</b>	1	0	0	0	N/A	N/A	15	18	655	7	B			655	7	B		
	2	0	0	0	N/A	N/A	0	0	0	N/A	N/A			0	N/A	N/A		
	3	0	0	0	N/A	N/A	0	0	0	N/A	N/A			0	N/A	N/A		
	4	0	0	0	N/A	N/A	0	0	0	N/A	N/A			0	N/A	N/A		
	5	0	0	0	N/A	N/A	0	0	0	N/A	N/A			0	N/A	N/A		
	6	0	0	0	N/A	N/A	0	0	0	N/A	N/A			0	N/A	N/A		
	7	0	0	0	N/A	N/A	15	18	75	4	B			75	4	B		
	8	0	0	0	N/A	N/A	20	24	402	5	B			402	5	B		
<b>S.Blvd @ 36th St</b>	1	0	0	0	N/A	N/A	15	18	358	6	B			358	6	B		
	2	0	0	0	N/A	N/A	0	0	0	N/A	N/A			0	N/A	N/A		
	3	0	0	0	N/A	N/A	0	0	0	N/A	N/A			0	N/A	N/A		
	4	0	0	0	N/A	N/A	0	0	0	N/A	N/A			0	N/A	N/A		
	5	0	0	0	N/A	N/A	0	0	0	N/A	N/A			0	N/A	N/A		
	6	0	0	0	N/A	N/A	15	18	424	6	B			424	6	B		
	7	0	0	0	N/A	N/A	15	18	187	5	B			187	5	B		
	8	0	0	0	N/A	N/A	18	22	168	5	B			168	5	B		



### Appendix S.5.3

#### Pedestrian Improvement Analysis - Sidewalks Level of Service

##### 2025 Future Conditions (PM)

Intersection	Walkway Location	2025 Future without the Proposed Action				
		Effective Walkway width	Actual walkway width	Sidewalk Volumes	Platoon Flow Rate (ped/min/ft)	Platoon Level of Service
<b>S.Blvd @ 37th St</b>	1	0	0	0	N/A	N/A
	2	0	0	0	N/A	N/A
	3	0	0	0	N/A	N/A
	4	0	0	0	N/A	N/A
	5	0	0	0	N/A	N/A
	6	0	0	0	N/A	N/A
	7	0	0	0	N/A	N/A
	8	0	0	0	N/A	N/A

2025 Future with the Proposed Action					
Effective Walkway width	Actual walkway width	Sidewalk Volumes	Platoon Flow Rate (ped/min/ft)	Platoon Level of Service	Impact?
15	18	658	7	B	
0	0	0	N/A	N/A	
0	0	0	N/A	N/A	
0	0	0	N/A	N/A	
0	0	0	N/A	N/A	
0	0	0	N/A	N/A	
15	18	778	7	B	
14	17	42	4	B	
18	22	143	5	B	

2025 Future with the Proposed Action (Improvement)					
Proposed Effective Walkway	Proposed Actual walkway width	Sidewalk Volumes	Platoon Flow Rate (ped/min/ft)	Platoon Level of Service	Still Impact?
		658	7	B	
		0	N/A	N/A	
		0	N/A	N/A	
		0	N/A	N/A	
		0	N/A	N/A	
		0	N/A	N/A	
		778	7	B	
		42	4	B	
		143	5	B	

## Appendix S.5.3

### Pedestrian Improvement Analysis - Sidewalks Level of Service

#### 2025 Future Conditions (EVE)

Intersection	Walkway Location	2025 Future without the Proposed Action					2025 Future with the Proposed Action						2025 Future with the Proposed Action (Improvement)					
		Effective Walkway width	Actual walkway width	Sidewalk Volumes	Platoon Flow Rate (ped/min/ft)	Platoon Level of Service	Effective Walkway width	Actual walkway width	Sidewalk Volumes	Platoon Flow Rate (ped/min/ft)	Platoon Level of Service	Impact?	Proposed Effective Walkway	Proposed Actual walkway width	Sidewalk Volumes	Platoon Flow Rate (ped/min/ft)	Platoon Level of Service	Still Impact?
Twelfth Ave @ 30th St	1	13	15	33	4	B	13	15	33	4	B				33	4	B	
	2	9	11	10	4	B	9	11	10	4	B				10	4	B	
	3	10	13	7	4	B	10	13	7	4	B		30	35	7	4	B	
	4	10	13	0	4	B	10	13	0	4	B				0	4	B	
	5	12	15	3	4	B	12	15	3	4	B				3	4	B	
	6	13	15	34	4	B	13	15	34	4	B				34	4	B	
	7	0	0	0	N/A	N/A	0	0	0	N/A	N/A				0	N/A	N/A	
	8	0	0	0	N/A	N/A	0	0	0	N/A	N/A				0	N/A	N/A	
Twelfth Ave @ 34th St	1	13	15	0	4	B	13	15	957	9	C				957	9	C	
	2	9	12	1	4	B	9	12	523	8	C				523	8	C	
	3	15	18	2	4	B	15	18	2	4	B				2	4	B	
	4	15	18	3	4	B	15	18	1482	11	D				525	6	B	
	5	9	12	1	4	B	9	12	1	4	B				1	4	B	
	6	13	15	0	4	B	13	15	0	4	B				0	4	B	
	7	0	0	0	N/A	N/A	0	0	0	N/A	N/A				0	N/A	N/A	
	8	0	0	0	N/A	N/A	0	0	0	N/A	N/A				0	N/A	N/A	
Eleventh Ave @ 30th St	1	12	15	1	4	B	12	15	4	4	B				4	4	B	
	2	12	15	17	4	B	17	20	31	4	B				31	4	B	
	3	10	13	8	4	B	10	13	518	7	B		30	35	518	5	B	
	4	10	13	4	4	B	10	13	44	4	B				44	4	B	
	5	12	15	10	4	B	12	15	77	4	B				77	4	B	
	6	12	15	2	4	B	12	15	101	5	B				101	5	B	
	7	10	13	1	4	B	10	13	1	4	B				1	4	B	
	8	10	13	0	4	B	10	13	0	4	B		30	35	0	4	B	
Eleventh Ave @ 33rd St	1	12	15	3	4	B	12	15	3660	24	E	Yes			2703	19	E	Yes
	2	12	15	25	4	B	17	20	59	4	B				59	4	B	
	3	10	13	18	4	B	15	18	854	8	C				854	8	C	
	4	10	13	2	4	B	10	13	1811	16	E	Yes	30	35	1811	8	C	
	5	12	15	8	4	B	17	20	32	4	B				32	4	B	
	6	12	15	6	4	B	12	15	8	4	B				8	4	B	
	7	10	13	1	4	B	0	0	0	N/A	N/A				0	N/A	N/A	
	8	10	13	0	4	B	0	0	0	N/A	N/A				0	N/A	N/A	
Eleventh Ave @ 34th St	1	13	15	3	4	B	13	15	302	6	B				302	6	B	
	2	9	12	16	4	B	14	17	877	8	C				877	8	C	
	3	17	20	7	4	B	26	30	192	4	B				192	4	B	
	4	17	20	44	4	B	26	30	676	6	B				676	6	B	
	5	12	15	32	4	B	17	20	138	5	B				138	5	B	
	6	12	15	3	4	B	12	15	3664	24	E	Yes			2707	19	E	Yes
	7	17	20	5	4	B	17	20	1484	10	C				527	6	B	
	8	17	20	18	4	B	17	20	18	4	B				18	4	B	
Eleventh Ave @ 39th St	1	11	14	0	4	B	11	14	21	4	B				21	4	B	
	2	7	10	0	4	B	12	15	9	4	B				9	4	B	
	3	9	12	6	4	B	9	12	8	4	B				8	4	B	
	4	8	11	7	4	B	15	18	276	5	B				276	5	B	
	5	7	10	1	4	B	12	15	244	5	B				244	5	B	
	6	12	15	0	4	B	12	15	32	4	B				32	4	B	
	7	10	13	1	4	B	0	0	0	N/A	N/A				0	N/A	N/A	
	8	12	15	1	4	B	0	0	0	N/A	N/A				0	N/A	N/A	

## Appendix S.5.3

### Pedestrian Improvement Analysis - Sidewalks Level of Service

#### 2025 Future Conditions (EVE)

Intersection	Walkway Location	2025 Future without the Proposed Action					2025 Future with the Proposed Action						2025 Future with the Proposed Action (Improvement)					
		Effective Walkway width	Actual walkway width	Sidewalk Volumes	Platoon Flow Rate (ped/min/ft)	Platoon Level of Service	Effective Walkway width	Actual walkway width	Sidewalk Volumes	Platoon Flow Rate (ped/min/ft)	Platoon Level of Service	Impact?	Proposed Effective Walkway width	Proposed Actual walkway width	Sidewalk Volumes	Platoon Flow Rate (ped/min/ft)	Platoon Level of Service	Still Impact?
<b>Eleventh Ave @ 42nd St</b>	1	13	16	26	4	B	13	16	78	4	B				78	4	B	
	2	13	16	19	4	B	13	16	32	4	B				32	4	B	
	3	12	15	109	5	B	12	15	134	5	B				134	5	B	
	4	12	15	43	4	B	12	15	125	5	B				125	5	B	
	5	12	16	8	4	B	12	16	25	4	B				25	4	B	
	6	12	15	61	4	B	12	15	79	4	B				79	4	B	
	7	12	16	21	4	B	12	16	21	4	B				21	4	B	
	8	12	16	86	4	B	12	16	158	5	B				158	5	B	
<b>Tenth Ave @ 30th St</b>	1	13	16	25	4	B	13	16	284	5	B				284	5	B	
	2	12	15	21	4	B	12	15	226	5	B				226	5	B	
	3	10	13	6	4	B	10	13	36	4	B				36	4	B	
	4	12	15	13	4	B	12	15	17	4	B				17	4	B	
	5	12	15	21	4	B	12	15	47	4	B				47	4	B	
	6	12	15	36	4	B	12	15	73	4	B				73	4	B	
	7	11	14	16	4	B	11	14	28	4	B				28	4	B	
	8	11	14	5	4	B	11	14	473	7	B		31	36	473	5	B	
<b>Tenth Ave @ 31st St</b>	1	12	15	23	4	B	12	15	1073	10	C				1073	10	C	
	2	12	15	16	4	B	12	15	223	5	B				223	5	B	
	3	11	13	6	4	B	11	13	608	8	C				608	8	C	
	4	11	13	8	4	B	11	13	37	4	B				37	4	B	
	5	12	15	22	4	B	12	15	231	5	B				231	5	B	
	6	12	15	22	4	B	12	15	280	6	B				280	6	B	
	7	0	0	0	N/A	N/A	0	0	0	N/A	N/A				0	N/A	N/A	
	8	0	0	0	N/A	N/A	0	0	0	N/A	N/A				0	N/A	N/A	
<b>Tenth Ave @ 33rd St</b>	1	12	15	18	4	B	12	15	81	4	B				81	4	B	
	2	12	15	24	4	B	12	15	69	4	B				69	4	B	
	3	10	13	11	4	B	10	13	195	5	B				195	5	B	
	4	10	13	44	4	B	10	13	3939	30	F	Yes	30	35	3939	13	D	
	5	12	15	19	4	B	12	15	239	5	B				239	5	B	
	6	12	15	33	4	B	12	15	1081	10	C				1081	10	C	
	7	10	13	6	4	B	10	13	2926	24	E	Yes	30	35	2926	11	D	
	8	10	13	13	4	B	15	18	194	5	B				194	5	B	
<b>Tenth Ave @ 34th St</b>	1	12	15	21	4	B	12	15	67	4	B				67	4	B	
	2	12	15	38	4	B	12	15	75	4	B				75	4	B	
	3	17	20	53	4	B	17	20	107	4	B				107	4	B	
	4	17	20	77	4	B	17	20	218	5	B				218	5	B	
	5	12	15	28	4	B	12	15	75	4	B				75	4	B	
	6	12	15	24	4	B	12	15	89	4	B				89	4	B	
	7	17	20	56	4	B	26	30	232	5	B				232	5	B	
	8	17	20	42	4	B	26	30	92	4	B				92	4	B	
<b>Ninth Ave @ 30th St</b>	1	14	16	41	4	B	14	16	113	5	B				113	5	B	
	2	8	15	91	5	B	8	15	122	5	B				122	5	B	
	3	6	13	26	4	B	6	13	61	5	B				61	5	B	
	4	10	13	24	4	B	10	13	39	4	B				39	4	B	
	5	13	16	66	4	B	13	16	93	4	B				93	4	B	
	6	13	16	38	4	B	13	16	93	4	B				93	4	B	
	7	11	14	41	4	B	11	14	44	4	B				44	4	B	
	8	10	12	13	4	B	10	12	43	4	B				43	4	B	

## Appendix S.5.3

### Pedestrian Improvement Analysis - Sidewalks Level of Service

#### 2025 Future Conditions (EVE)

Intersection	Walkway Location	2025 Future without the Proposed Action					2025 Future with the Proposed Action						2025 Future with the Proposed Action (Improvement)					
		Effective Walkway width	Actual walkway width	Sidewalk Volumes	Platoon Flow Rate (ped/min/ft)	Platoon Level of Service	Effective Walkway width	Actual walkway width	Sidewalk Volumes	Platoon Flow Rate (ped/min/ft)	Platoon Level of Service	Impact?	Proposed Effective Walkway width	Proposed Actual walkway width	Sidewalk Volumes	Platoon Flow Rate (ped/min/ft)	Platoon Level of Service	Still Impact?
<b>Ninth Ave @ 31st St</b>	1	12	15	42	4	B	17	20	654	7	B				654	7	B	
	2	10	13	44	4	B	10	13	266	6	B				266	6	B	
	3	10	13	44	4	B	10	13	225	6	B				225	6	B	
	4	10	13	30	4	B	10	13	84	5	B				84	5	B	
	5	12	15	76	4	B	12	15	112	5	B				112	5	B	
	6	12	15	40	4	B	12	15	117	5	B				117	5	B	
	7	10	13	8	4	B	10	13	38	4	B				38	4	B	
	8	10	13	20	4	B	10	13	712	9	C				712	9	C	
<b>Ninth Ave @ 33rd St</b>	1	12	15	41	4	B	12	15	750	8	C				750	8	C	
	2	12	15	102	5	B	12	15	280	6	B				280	6	B	
	3	10	13	57	4	B	10	13	453	7	B				453	7	B	
	4	10	13	143	5	B	10	13	289	6	B				289	5	B	
	5	12	15	55	4	B	12	15	1319	11	D				1319	11	D	
	6	12	15	63	4	B	17	20	3306	17	E	Yes			3306	17	E	Yes
	7	10	13	129	5	B	15	18	4502	24	E	Yes	35	40	4502	13	D	
	8	10	13	22	4	B	10	13	255	6	B				255	6	B	
<b>Ninth Ave @ 34th St</b>	1	11	15	76	4	B	11	15	406	6	B				406	6	B	
	2	12	15	107	5	B	12	15	147	5	B				147	5	B	
	3	19	23	140	4	B	19	23	477	6	B				477	6	B	
	4	19	23	169	5	B	19	23	376	5	B				376	5	B	
	5	12	15	103	5	B	12	15	283	6	B				283	6	B	
	6	12	15	46	4	B	12	15	757	8	C				757	8	C	
	7	16	20	81	4	B	16	20	223	5	B				223	5	B	
	8	15	20	60	4	B	15	20	111	4	B				111	4	B	
<b>Eighth Ave @ 30th St</b>	1	11	14	136	5	B	11	14	151	5	B				151	5	B	
	2	11	15	281	6	B	11	15	329	6	B				329	6	B	
	3	9	13	90	5	B	9	13	96	5	B				96	5	B	
	4	11	14	42	4	B	11	14	46	4	B				46	4	B	
	5	12	15	117	5	B	12	15	157	5	B				157	5	B	
	6	11	14	144	5	B	11	14	157	5	B				157	5	B	
	7	10	14	52	4	B	10	14	67	4	B				67	4	B	
	8	10	13	54	4	B	10	13	88	5	B				88	5	B	
<b>Eighth Ave @ 31st St</b>	1	12	16	178	5	B	12	16	184	5	B				184	5	B	
	2	18	24	131	4	B	17	20	151	5	B				151	5	B	
	3	35	49	149	4	B	15	18	302	5	B				302	5	B	
	4	10	14	23	4	B	10	14	80	5	B				80	5	B	
	5	12	15	227	5	B	12	15	277	6	B				277	6	B	
	6	12	15	264	5	B	12	15	282	6	B				282	6	B	
	7	10	13	134	5	B	10	13	187	5	B				187	5	B	
	8	21	24	108	4	B	21	24	288	5	B				288	5	B	
<b>Eighth Ave @ 33rd St</b>	1	12	15	409	6	B	12	15	467	7	B				467	7	B	
	2	12	19	345	6	B	12	19	439	6	B				439	6	B	
	3	10	17	203	5	B	10	17	374	6	B				374	6	B	
	4	30	43	398	5	B	15	18	500	6	B				500	6	B	
	5	30	43	418	5	B	17	20	445	6	B				445	6	B	
	6	12	16	236	5	B	12	16	241	5	B				241	5	B	
	7	13	24	307	6	B	13	24	443	6	B		33	46	443	5	B	
	8	7	14	104	5	B	7	14	367	7	B				367	7	B	

### Appendix S.5.3

#### Pedestrian Improvement Analysis - Sidewalks Level of Service

##### 2025 Future Conditions (EVE)

Intersection	Walkway Location	2025 Future without the Proposed Action					2025 Future with the Proposed Action						2025 Future with the Proposed Action (Improvement)					
		Effective Walkway width	Actual walkway width	Sidewalk Volumes	Platoon Flow Rate (ped/min/ft)	Platoon Level of Service	Effective Walkway width	Actual walkway width	Sidewalk Volumes	Platoon Flow Rate (ped/min/ft)	Platoon Level of Service	Impact?	Proposed Effective Walkway width	Proposed Actual walkway width	Sidewalk Volumes	Platoon Flow Rate (ped/min/ft)	Platoon Level of Service	Still Impact?
<b>Eighth Ave @ 34th St</b>	1	11	15	121	5	B	11	15	137	5	B				137	5	B	
	2	11	15	257	6	B	11	15	284	6	B				284	6	B	
	3	19	22	455	6	B	19	22	480	6	B				480	6	B	
	4	19	22	255	5	B	19	22	518	6	B				518	6	B	
	5	12	15	98	5	B	12	15	194	5	B				194	5	B	
	6	11	15	290	6	B	11	15	348	6	B				348	6	B	
	7	12	22	98	5	B	12	22	304	6	B				304	6	B	
	8	18	22	318	5	B	18	22	399	5	B				399	5	B	
<b>Sixth Ave @ 34th St</b>	1	0	0	0	N/A	N/A	0	0	0	N/A	N/A				0	N/A	N/A	
	2	10	17	320	6	B	10	17	323	6	B				323	6	B	
	3	20	23	676	6	B	20	23	678	6	B				678	6	B	
	4	18	23	523	6	B	18	23	525	6	B				525	6	B	
	5	14	17	435	6	B	14	17	438	6	B				438	6	B	
	6	0	0	0	N/A	N/A	0	0	0	N/A	N/A				0	N/A	N/A	
	7	0	0	0	N/A	N/A	0	0	0	N/A	N/A				0	N/A	N/A	
	8	0	0	0	N/A	N/A	0	0	0	N/A	N/A				0	N/A	N/A	
<b>Broadway @ 34th St</b>	1	25	30	508	5	B	25	30	511	5	B				511	5	B	
	2	0	0	0	N/A	N/A	0	0	0	N/A	N/A				0	N/A	N/A	
	3	0	0	0	N/A	N/A	0	0	0	N/A	N/A				0	N/A	N/A	
	4	0	0	0	N/A	N/A	0	0	0	N/A	N/A				0	N/A	N/A	
	5	0	0	0	N/A	N/A	0	0	0	N/A	N/A				0	N/A	N/A	
	6	25	30	630	6	B	25	30	634	6	B				634	6	B	
	7	18	23	914	7	B	18	23	980	8	C				980	8	C	
	8	18	23	724	7	B	18	23	758	7	B				758	7	B	
<b>Blvd @ 33rd St</b>	1	0	0	0	N/A	N/A	15	15	276	5	B				276	5	B	
	2	0	0	0	N/A	N/A	15	18	87	4	B				87	4	B	
	3	0	0	0	N/A	N/A	15	18	558	6	B				558	6	B	
	4	0	0	0	N/A	N/A	10	13	2917	23	E		30	35	2917	10	C	
	5	0	0	0	N/A	N/A	0	0	0	N/A	N/A				0	N/A	N/A	
	6	0	0	0	N/A	N/A	0	0	0	N/A	N/A				0	N/A	N/A	
	7	0	0	0	N/A	N/A	10	13	1804	16	E		30	35	1804	8	C	
	8	0	0	0	N/A	N/A	15	18	853	8	C				853	8	C	
<b>Blvd @ 34th St</b>	1	0	0	0	N/A	N/A	15	18	309	5	B				309	5	B	
	2	0	0	0	N/A	N/A	15	18	238	5	B				238	5	B	
	3	0	0	0	N/A	N/A	26	30	47	4	B				47	4	B	
	4	0	0	0	N/A	N/A	26	30	174	4	B				174	4	B	
	5	0	0	0	N/A	N/A	15	18	94	4	B				94	4	B	
	6	0	0	0	N/A	N/A	15	18	186	5	B				186	5	B	
	7	0	0	0	N/A	N/A	26	30	645	6	B				645	6	B	
	8	0	0	0	N/A	N/A	26	30	193	4	B				193	4	B	
<b>N.Blvd @ 35th St</b>	1	0	0	0	N/A	N/A	0	0	0	N/A	N/A				0	N/A	N/A	
	2	0	0	0	N/A	N/A	15	18	151	5	B				151	5	B	
	3	0	0	0	N/A	N/A	20	24	26	4	B				26	4	B	
	4	0	0	0	N/A	N/A	15	18	362	6	B				362	6	B	
	5	0	0	0	N/A	N/A	15	18	242	5	B				242	5	B	
	6	0	0	0	N/A	N/A	15	18	309	5	B				309	5	B	
	7	0	0	0	N/A	N/A	15	18	259	5	B				259	5	B	
	8	0	0	0	N/A	N/A	0	0	0	N/A	N/A				0	N/A	N/A	

## Appendix S.5.3

### Pedestrian Improvement Analysis - Sidewalks Level of Service

#### 2025 Future Conditions (EVE)

Intersection	Walkway Location	2025 Future without the Proposed Action					2025 Future with the Proposed Action						2025 Future with the Proposed Action (Improvement)					
		Effective Walkway width	Actual walkway width	Sidewalk Volumes	Platoon Flow Rate (ped/min/ft)	Platoon Level of Service	Effective Walkway width	Actual walkway width	Sidewalk Volumes	Platoon Flow Rate (ped/min/ft)	Platoon Level of Service	Impact?	Proposed Effective Walkway width	Proposed Actual walkway width	Sidewalk Volumes	Platoon Flow Rate (ped/min/ft)	Platoon Level of Service	Still Impact?
N.Blvd @ 36th St	1	0	0	0	N/A	N/A	0	0	0	N/A	N/A				0	N/A	N/A	
	2	0	0	0	N/A	N/A	15	18	36	4	B				36	4	B	
	3	0	0	0	N/A	N/A	18	22	20	4	B				20	4	B	
	4	0	0	0	N/A	N/A	15	18	257	5	B				257	5	B	
	5	0	0	0	N/A	N/A	15	18	147	5	B				147	5	B	
	6	0	0	0	N/A	N/A	0	0	0	N/A	N/A				0	N/A	N/A	
	7	0	0	0	N/A	N/A	0	0	0	N/A	N/A				0	N/A	N/A	
	8	0	0	0	N/A	N/A	0	0	0	N/A	N/A				0	N/A	N/A	
N.Blvd @ 37th St	1	0	0	0	N/A	N/A	0	0	0	N/A	N/A				0	N/A	N/A	
	2	0	0	0	N/A	N/A	15	18	50	4	B				50	4	B	
	3	0	0	0	N/A	N/A	18	22	19	4	B				19	4	B	
	4	0	0	0	N/A	N/A	14	17	4	4	B				4	4	B	
	5	0	0	0	N/A	N/A	15	18	45	4	B				45	4	B	
	6	0	0	0	N/A	N/A	0	0	0	N/A	N/A				0	N/A	N/A	
	7	0	0	0	N/A	N/A	0	0	0	N/A	N/A				0	N/A	N/A	
	8	0	0	0	N/A	N/A	0	0	0	N/A	N/A				0	N/A	N/A	
Blvd @ 38th St	1	0	0	0	N/A	N/A	15	18	49	4	B				49	4	B	
	2	0	0	0	N/A	N/A	15	18	45	4	B				45	4	B	
	3	0	0	0	N/A	N/A	18	22	12	4	B				12	4	B	
	4	0	0	0	N/A	N/A	14	17	25	4	B				25	4	B	
	5	0	0	0	N/A	N/A	15	18	55	4	B				55	4	B	
	6	0	0	0	N/A	N/A	15	18	54	4	B				54	4	B	
	7	0	0	0	N/A	N/A	14	17	11	4	B				11	4	B	
	8	0	0	0	N/A	N/A	18	22	10	4	B				10	4	B	
S.Blvd @ 35th St	1	0	0	0	N/A	N/A	15	18	573	7	B				573	7	B	
	2	0	0	0	N/A	N/A	0	0	0	N/A	N/A				0	N/A	N/A	
	3	0	0	0	N/A	N/A	0	0	0	N/A	N/A				0	N/A	N/A	
	4	0	0	0	N/A	N/A	0	0	0	N/A	N/A				0	N/A	N/A	
	5	0	0	0	N/A	N/A	0	0	0	N/A	N/A				0	N/A	N/A	
	6	0	0	0	N/A	N/A	0	0	0	N/A	N/A				0	N/A	N/A	
	7	0	0	0	N/A	N/A	15	18	259	5	B				259	5	B	
	8	0	0	0	N/A	N/A	20	24	314	5	B				314	5	B	
S.Blvd @ 36th St	1	0	0	0	N/A	N/A	15	18	33	4	B				33	4	B	
	2	0	0	0	N/A	N/A	0	0	0	N/A	N/A				0	N/A	N/A	
	3	0	0	0	N/A	N/A	0	0	0	N/A	N/A				0	N/A	N/A	
	4	0	0	0	N/A	N/A	0	0	0	N/A	N/A				0	N/A	N/A	
	5	0	0	0	N/A	N/A	0	0	0	N/A	N/A				0	N/A	N/A	
	6	0	0	0	N/A	N/A	15	18	326	5	B				326	5	B	
	7	0	0	0	N/A	N/A	15	18	97	4	B				97	4	B	
	8	0	0	0	N/A	N/A	18	22	24	4	B				24	4	B	
S.Blvd @ 37th St	1	0	0	0	N/A	N/A	15	18	36	4	B				36	4	B	
	2	0	0	0	N/A	N/A	0	0	0	N/A	N/A				0	N/A	N/A	
	3	0	0	0	N/A	N/A	0	0	0	N/A	N/A				0	N/A	N/A	
	4	0	0	0	N/A	N/A	0	0	0	N/A	N/A				0	N/A	N/A	
	5	0	0	0	N/A	N/A	0	0	0	N/A	N/A				0	N/A	N/A	
	6	0	0	0	N/A	N/A	15	18	41	4	B				41	4	B	
	7	0	0	0	N/A	N/A	14	17	6	4	B				6	4	B	
	8	0	0	0	N/A	N/A	18	22	13	4	B				13	4	B	

## Appendix S.5.3

### Pedestrian Improvement Analysis - Sidewalks Level of Service

#### 2025 Future Conditions (SUN)

Intersection	Walkway Location	2025 Future without the Proposed Action					2025 Future with the Proposed Action						2025 Future with the Proposed Action (Improvement)					
		Effective Walkway width	Actual walkway width	Sidewalk Volumes	Platoon Flow Rate (ped/min/ft)	Platoon Level of Service	Effective Walkway width	Actual walkway width	Sidewalk Volumes	Platoon Flow Rate (ped/min/ft)	Platoon Level of Service	Impact?	Proposed Effective Walkway width	Proposed Actual walkway width	Sidewalk Volumes	Platoon Flow Rate (ped/min/ft)	Platoon Level of Service	Still Impact?
Twelfth Ave @ 30th St	1	13	15	49	4	B	13	15	49	4	B		13	15	49	4	B	
	2	9	11	8	4	B	9	11	8	4	B		9	11	8	4	B	
	3	10	13	3	4	B	10	13	3	4	B		30	35	3	4	B	
	4	10	13	2	4	B	10	13	2	4	B		10	13	2	4	B	
	5	12	15	0	4	B	12	15	0	4	B		12	15	0	4	B	
	6	13	15	49	4	B	13	15	49	4	B		13	15	49	4	B	
	7	0	0	0	N/A	N/A	0	0	0	N/A	N/A		0	0	0	N/A	N/A	
	8	0	0	0	N/A	N/A	0	0	0	N/A	N/A		0	0	0	N/A	N/A	
Twelfth Ave @ 34th St	1	13	15	36	4	B	13	15	1114	10	C		13	15	1114	10	C	
	2	9	12	10	4	B	9	12	616	9	C		9	12	616	9	C	
	3	15	18	3	4	B	15	18	3	4	B		15	18	3	4	B	
	4	15	18	121	5	B	15	18	1805	12	D		15	18	727	7	B	
	5	9	12	6	4	B	9	12	6	4	B		9	12	6	4	B	
	6	13	15	37	4	B	13	15	37	4	B		13	15	37	4	B	
	7	0	0	0	N/A	N/A	0	0	0	N/A	N/A		0	0	0	N/A	N/A	
	8	0	0	0	N/A	N/A	0	0	0	N/A	N/A		0	0	0	N/A	N/A	
Eleventh Ave @ 30th St	1	12	15	10	4	B	12	15	31	4	B		12	15	31	4	B	
	2	12	15	73	4	B	17	20	174	5	B		17	20	174	5	B	
	3	10	13	46	4	B	10	13	550	8	C		30	35	550	5	B	
	4	10	13	10	4	B	10	13	93	5	B		10	13	93	5	B	
	5	12	15	82	4	B	12	15	266	5	B		12	15	266	5	B	
	6	12	15	20	4	B	12	15	458	7	B		12	15	458	7	B	
	7	10	13	2	4	B	10	13	2	4	B		10	13	2	4	B	
	8	10	13	0	4	B	10	13	509	7	B		30	35	509	5	B	
Eleventh Ave @ 33rd St	1	12	15	4	4	B	12	15	4535	29	F	Yes	12	15	3457	23	E	Yes
	2	12	15	89	4	B	17	20	223	5	B		17	20	223	5	B	
	3	10	13	53	4	B	15	18	921	8	C		15	18	921	8	C	
	4	10	13	2	4	B	10	13	2286	19	E	Yes	30	35	2286	9	C	
	5	12	15	40	4	B	17	20	152	5	B		17	20	152	5	B	
	6	12	15	3	4	B	12	15	23	4	B		12	15	23	4	B	
	7	10	13	2	4	B	0	0	0	N/A	N/A		0	0	0	N/A	N/A	
	8	10	13	1	4	B	0	0	0	N/A	N/A		0	0	0	N/A	N/A	
Eleventh Ave @ 34th St	1	13	15	28	4	B	13	15	952	9	C		13	15	952	9	C	
	2	9	12	68	5	B	14	17	1597	12	D		14	17	1597	12	D	
	3	17	20	127	4	B	26	30	344	5	B		26	30	344	5	B	
	4	17	20	79	4	B	26	30	680	6	B		26	30	680	6	B	
	5	12	15	80	4	B	17	20	247	5	B		17	20	247	5	B	
	6	12	15	6	4	B	12	15	4757	30	F	Yes	12	15	3679	24	E	Yes
	7	17	20	122	4	B	17	20	1806	11	D		17	20	728	7	B	
	8	17	20	16	4	B	17	20	16	4	B		17	20	16	4	B	
Eleventh Ave @ 39th St	1	11	14	8	4	B	11	14	185	5	B		11	14	185	5	B	
	2	7	10	1	4	B	12	15	399	6	B		12	15	399	6	B	
	3	9	12	4	4	B	9	12	94	5	B		9	12	94	5	B	
	4	8	11	98	5	B	15	18	498	6	B		15	18	498	6	B	
	5	7	10	4	4	B	12	15	730	8	C		12	15	730	8	C	
	6	12	15	22	4	B	12	15	253	5	B		12	15	253	5	B	
	7	10	13	85	5	B	0	0	0	N/A	N/A		0	0	0	N/A	N/A	
	8	12	15	0	4	B	0	0	0	N/A	N/A		0	0	0	N/A	N/A	

## Appendix S.5.3

### Pedestrian Improvement Analysis - Sidewalks Level of Service

#### 2025 Future Conditions (SUN)

Intersection	Walkway Location	2025 Future without the Proposed Action					2025 Future with the Proposed Action						2025 Future with the Proposed Action (Improvement)					
		Effective Walkway width	Actual walkway width	Sidewalk Volumes	Platoon Flow Rate (ped/min/ft)	Platoon Level of Service	Effective Walkway width	Actual walkway width	Sidewalk Volumes	Platoon Flow Rate (ped/min/ft)	Platoon Level of Service	Impact?	Proposed Effective Walkway width	Proposed Actual walkway width	Sidewalk Volumes	Platoon Flow Rate (ped/min/ft)	Platoon Level of Service	Still Impact?
<b>Eleventh Ave @ 42nd St</b>	1	13	16	41	4	B	13	16	103	5	B		13	16	103	5	B	
	2	13	16	33	4	B	13	16	335	6	B		13	16	335	6	B	
	3	12	15	269	5	B	12	15	252	5	B		12	15	252	5	B	
	4	12	15	195	5	B	12	15	564	7	B		12	15	564	7	B	
	5	12	16	9	4	B	12	16	289	6	B		12	16	289	6	B	
	6	12	15	87	4	B	12	15	175	5	B		12	15	175	5	B	
	7	12	16	185	5	B	12	16	189	5	B		12	16	189	5	B	
	8	12	16	230	5	B	12	16	161	5	B		12	16	161	5	B	
<b>Tenth Ave @ 30th St</b>	1	13	16	86	4	B	13	16	509	7	B		13	16	509	7	B	
	2	12	15	85	4	B	12	15	352	6	B		12	15	352	6	B	
	3	10	13	74	4	B	10	13	212	5	B		10	13	212	5	B	
	4	12	15	42	4	B	12	15	78	4	B		12	15	78	4	B	
	5	12	15	65	4	B	12	15	170	5	B		12	15	170	5	B	
	6	12	15	126	5	B	12	15	345	6	B		12	15	345	6	B	
	7	11	14	45	4	B	11	14	87	5	B		11	14	87	5	B	
	8	11	14	53	4	B	11	14	698	8	C		31	36	698	6	B	
<b>Tenth Ave @ 31st St</b>	1	12	15	73	4	B	12	15	1361	12	D		12	15	1361	12	D	
	2	12	15	53	4	B	12	15	315	6	B		12	15	315	6	B	
	3	11	13	63	4	B	11	13	1167	11	D		11	13	1167	11	D	
	4	11	13	14	4	B	11	13	71	4	B		11	13	71	4	B	
	5	12	15	90	5	B	12	15	367	6	B		12	15	367	6	B	
	6	12	15	73	4	B	12	15	500	7	B		12	15	500	7	B	
	7	0	0	0	N/A	N/A	0	0	0	N/A	N/A		0	0	0	N/A	N/A	
	8	0	0	0	N/A	N/A	0	0	0	N/A	N/A		0	0	0	N/A	N/A	
<b>Tenth Ave @ 33rd St</b>	1	12	15	67	4	B	12	15	393	6	B		12	15	393	6	B	
	2	12	15	58	4	B	12	15	315	6	B		12	15	315	6	B	
	3	10	13	73	4	B	10	13	317	6	B		10	13	317	6	B	
	4	10	13	150	5	B	10	13	4287	33	F	Yes	30	35	4287	14	D	
	5	12	15	54	4	B	12	15	341	6	B		12	15	341	6	B	
	6	12	15	75	4	B	12	15	1392	12	D		12	15	1392	12	D	
	7	10	13	60	4	B	10	13	3260	26	F	Yes	30	35	3260	11	D	
	8	10	13	73	4	B	15	18	355	6	B		15	18	355	6	B	
<b>Tenth Ave @ 34th St</b>	1	12	15	46	4	B	12	15	330	6	B		12	15	330	6	B	
	2	12	15	39	4	B	12	15	282	6	B		12	15	282	6	B	
	3	17	20	150	5	B	17	20	254	5	B		17	20	254	5	B	
	4	17	20	93	4	B	17	20	351	5	B		17	20	351	5	B	
	5	12	15	62	4	B	12	15	300	6	B		12	15	300	6	B	
	6	12	15	41	4	B	12	15	402	6	B		12	15	402	6	B	
	7	17	20	73	4	B	26	30	266	5	B		26	30	266	5	B	
	8	17	20	114	4	B	26	30	284	5	B		26	30	284	5	B	
<b>Ninth Ave @ 30th St</b>	1	14	16	186	5	B	14	16	502	6	B		14	16	502	6	B	
	2	8	15	294	6	B	8	15	451	8	C		8	15	451	8	C	
	3	6	13	69	5	B	6	13	184	6	B		6	13	184	6	B	
	4	10	13	111	5	B	10	13	260	6	B		10	13	260	6	B	
	5	13	16	180	5	B	13	16	365	6	B		13	16	365	6	B	
	6	13	16	179	5	B	13	16	344	6	B		13	16	344	6	B	
	7	11	14	181	5	B	11	14	212	5	B		11	14	212	5	B	
	8	10	12	91	5	B	10	12	224	5	B		10	12	224	5	B	



## Appendix S.5.3

### Pedestrian Improvement Analysis - Sidewalks Level of Service

#### 2025 Future Conditions (SUN)

Intersection	Walkway Location	2025 Future without the Proposed Action					2025 Future with the Proposed Action						2025 Future with the Proposed Action (Improvement)					
		Effective Walkway width	Actual walkway width	Sidewalk Volumes	Platoon Flow Rate (ped/min/ft)	Platoon Level of Service	Effective Walkway width	Actual walkway width	Sidewalk Volumes	Platoon Flow Rate (ped/min/ft)	Platoon Level of Service	Impact?	Proposed Effective Walkway width	Proposed Actual walkway width	Sidewalk Volumes	Platoon Flow Rate (ped/min/ft)	Platoon Level of Service	Still Impact?
<b>Ninth Ave @ 31st St</b>	1	12	15	53	4	B	17	20	890	7	B		17	20	890	7	B	
	2	10	13	146	5	B	10	13	432	7	B		10	13	432	7	B	
	3	10	13	462	7	B	10	13	694	9	C		10	13	694	9	C	
	4	10	13	22	4	B	10	13	106	5	B		10	13	106	5	B	
	5	12	15	214	5	B	12	15	403	6	B		12	15	403	6	B	
	6	12	15	125	5	B	12	15	536	7	B		12	15	536	7	B	
	7	10	13	12	4	B	10	13	65	4	B		10	13	65	4	B	
	8	10	13	119	5	B	10	13	1094	11	D		10	13	1094	11	D	
<b>Ninth Ave @ 33rd St</b>	1	12	15	73	4	B	12	15	889	9	C		12	15	889	9	C	
	2	12	15	335	6	B	12	15	660	8	C		12	15	660	8	C	
	3	10	13	117	5	B	10	13	742	9	C		10	13	742	9	C	
	4	10	13	472	7	B	10	13	697	9	C		30	35	697	6	B	
	5	12	15	113	5	B	12	15	1466	12	D		12	15	1466	12	D	
	6	12	15	85	4	B	17	20	3591	18	E	Yes	17	20	3591	18	E	Yes
	7	10	13	201	5	B	15	18	4970	26	F	Yes	35	40	4970	13	D	
	8	10	13	81	5	B	10	13	534	8	C		10	13	534	8	C	
<b>Ninth Ave @ 34th St</b>	1	11	15	94	5	B	11	15	563	7	B		11	15	563	7	B	
	2	12	15	239	5	B	12	15	389	6	B		12	15	389	6	B	
	3	19	23	253	5	B	19	23	465	6	B		19	23	465	6	B	
	4	19	23	280	5	B	19	23	721	7	B		19	23	721	7	B	
	5	12	15	370	6	B	12	15	697	8	C		12	15	697	8	C	
	6	12	15	85	4	B	12	15	906	9	C		12	15	906	9	C	
	7	16	20	152	5	B	16	20	411	6	B		16	20	411	6	B	
	8	15	20	163	5	B	15	20	250	5	B		15	20	250	5	B	
<b>Eighth Ave @ 30th St</b>	1	11	14	271	6	B	11	14	327	6	B		11	14	327	6	B	
	2	11	15	259	6	B	11	15	377	6	B		11	15	377	6	B	
	3	9	13	83	5	B	9	13	107	5	B		9	13	107	5	B	
	4	11	14	42	4	B	11	14	58	4	B		11	14	58	4	B	
	5	12	15	155	5	B	12	15	374	6	B		12	15	374	6	B	
	6	11	14	161	5	B	11	14	210	5	B		11	14	210	5	B	
	7	10	14	82	5	B	10	14	226	6	B		10	14	226	6	B	
	8	10	13	112	5	B	10	13	221	5	B		10	13	221	5	B	
<b>Eighth Ave @ 31st St</b>	1	12	16	199	5	B	12	16	236	5	B		12	16	236	5	B	
	2	18	24	294	5	B	17	20	379	5	B		17	20	379	5	B	
	3	35	49	343	5	B	15	18	548	6	B		15	18	548	6	B	
	4	10	14	44	4	B	10	14	168	5	B		10	14	168	5	B	
	5	12	15	226	5	B	12	15	338	6	B		12	15	338	6	B	
	6	12	15	189	5	B	12	15	263	5	B		12	15	263	5	B	
	7	10	13	26	4	B	10	13	106	5	B		10	13	106	5	B	
	8	21	24	249	5	B	21	24	471	5	B		21	24	471	5	B	
<b>Eighth Ave @ 33rd St</b>	1	12	15	602	7	B	12	15	705	8	C		12	15	705	8	C	
	2	12	19	599	7	B	12	19	823	9	C		12	19	823	9	C	
	3	10	17	243	6	B	10	17	398	7	B		10	17	398	7	B	
	4	30	43	474	5	B	15	18	676	7	B		15	18	676	7	B	
	5	30	43	197	4	B	17	20	312	5	B		17	20	312	5	B	
	6	12	16	261	5	B	12	16	295	6	B		12	16	295	6	B	
	7	13	24	560	7	B	13	24	749	8	C		33	46	749	6	B	
	8	7	14	206	6	B	7	14	507	9	C		7	14	507	9	C	

## Appendix S.5.3

### Pedestrian Improvement Analysis - Sidewalks Level of Service

#### 2025 Future Conditions (SUN)

Intersection	Walkway Location	2025 Future without the Proposed Action					2025 Future with the Proposed Action						2025 Future with the Proposed Action (Improvement)					
		Effective Walkway width	Actual walkway width	Sidewalk Volumes	Platoon Flow Rate (ped/min/ft)	Platoon Level of Service	Effective Walkway width	Actual walkway width	Sidewalk Volumes	Platoon Flow Rate (ped/min/ft)	Platoon Level of Service	Impact?	Proposed Effective Walkway width	Proposed Actual walkway width	Sidewalk Volumes	Platoon Flow Rate (ped/min/ft)	Platoon Level of Service	Still Impact?
<b>Eighth Ave @ 34th St</b>	1	11	15	375	6	B	11	15	436	7	B		11	15	436	7	B	
	2	11	15	501	7	B	11	15	609	8	C		11	15	609	8	C	
	3	19	22	686	6	B	19	22	730	7	B		19	22	730	7	B	
	4	19	22	501	6	B	19	22	796	7	B		19	22	796	7	B	
	5	12	15	413	6	B	12	15	633	8	C		12	15	633	8	C	
	6	11	15	476	7	B	11	15	570	7	B		11	15	570	7	B	
	7	12	22	495	7	B	12	22	748	8	C		12	22	748	8	C	
	8	18	22	509	6	B	18	22	635	6	B		18	22	635	6	B	
<b>Sixth Ave @ 34th St</b>	1	0	0	0	N/A	N/A	0	0	0	N/A	N/A		0	0	0	N/A	N/A	
	2	10	17	817	9	C	10	17	825	10	C		10	17	825	10	C	
	3	20	23	578	6	B	20	23	595	6	B		20	23	595	6	B	
	4	18	23	788	7	B	18	23	805	7	B		18	23	805	7	B	
	5	14	17	421	6	B	14	17	429	6	B		14	17	429	6	B	
	6	0	0	0	N/A	N/A	0	0	0	N/A	N/A		0	0	0	N/A	N/A	
	7	0	0	0	N/A	N/A	0	0	0	N/A	N/A		0	0	0	N/A	N/A	
	8	0	0	0	N/A	N/A	0	0	0	N/A	N/A		0	0	0	N/A	N/A	
<b>Broadway @ 34th St</b>	1	25	30	881	6	B	25	30	902	6	B		25	30	902	6	B	
	2	0	0	0	N/A	N/A	0	0	0	N/A	N/A		0	0	0	N/A	N/A	
	3	0	0	0	N/A	N/A	0	0	0	N/A	N/A		0	0	0	N/A	N/A	
	4	0	0	0	N/A	N/A	0	0	0	N/A	N/A		0	0	0	N/A	N/A	
	5	0	0	0	N/A	N/A	0	0	0	N/A	N/A		0	0	0	N/A	N/A	
	6	25	30	1140	7	B	25	30	1164	7	B		25	30	1164	7	B	
	7	18	23	1168	8	C	18	23	1248	9	C		18	23	1248	9	C	
	8	18	23	1096	8	C	18	23	1147	8	C		18	23	1147	8	C	
<b>Blvd @ 33rd St</b>	1	0	0	0	N/A	N/A	15	15	644	7	B		15	15	644	7	B	
	2	0	0	0	N/A	N/A	15	18	229	5	B		15	18	229	5	B	
	3	0	0	0	N/A	N/A	15	18	882	8	C		15	18	882	8	C	
	4	0	0	0	N/A	N/A	10	13	3198	25	E		30	35	3198	11	D	
	5	0	0	0	N/A	N/A	0	0	0	N/A	N/A		0	0	0	N/A	N/A	
	6	0	0	0	N/A	N/A	0	0	0	N/A	N/A		0	0	0	N/A	N/A	
	7	0	0	0	N/A	N/A	10	13	2195	19	E		30	35	2195	9	C	
	8	0	0	0	N/A	N/A	15	18	956	8	C		15	18	956	8	C	
<b>Blvd @ 34th St</b>	1	0	0	0	N/A	N/A	15	18	441	6	B		15	18	441	6	B	
	2	0	0	0	N/A	N/A	15	18	408	6	B		15	18	408	6	B	
	3	0	0	0	N/A	N/A	26	30	221	5	B		26	30	221	5	B	
	4	0	0	0	N/A	N/A	26	30	232	5	B		26	30	232	5	B	
	5	0	0	0	N/A	N/A	15	18	247	5	B		15	18	247	5	B	
	6	0	0	0	N/A	N/A	15	18	374	6	B		15	18	374	6	B	
	7	0	0	0	N/A	N/A	26	30	708	6	B		26	30	708	6	B	
	8	0	0	0	N/A	N/A	26	30	341	5	B		26	30	341	5	B	
<b>N.Blvd @ 35th St</b>	1	0	0	0	N/A	N/A	0	0	0	N/A	N/A		0	0	0	N/A	N/A	
	2	0	0	0	N/A	N/A	15	18	349	6	B		15	18	349	6	B	
	3	0	0	0	N/A	N/A	20	24	127	4	B		20	24	127	4	B	
	4	0	0	0	N/A	N/A	15	18	470	6	B		15	18	470	6	B	
	5	0	0	0	N/A	N/A	15	18	424	6	B		15	18	424	6	B	
	6	0	0	0	N/A	N/A	15	18	486	6	B		15	18	486	6	B	
	7	0	0	0	N/A	N/A	15	18	167	5	B		15	18	167	5	B	
	8	0	0	0	N/A	N/A	0	0	0	N/A	N/A		0	0	0	N/A	N/A	

## Appendix S.5.3

### Pedestrian Improvement Analysis - Sidewalks Level of Service

#### 2025 Future Conditions (SUN)

Intersection	Walkway Location	2025 Future without the Proposed Action					2025 Future with the Proposed Action						2025 Future with the Proposed Action (Improvement)					
		Effective Walkway width	Actual walkway width	Sidewalk Volumes	Platoon Flow Rate (ped/min/ft)	Platoon Level of Service	Effective Walkway width	Actual walkway width	Sidewalk Volumes	Platoon Flow Rate (ped/min/ft)	Platoon Level of Service	Impact?	Proposed Effective Walkway width	Proposed Actual walkway width	Sidewalk Volumes	Platoon Flow Rate (ped/min/ft)	Platoon Level of Service	Still Impact?
N.Blvd @ 36th St	1	0	0	0	N/A	N/A	0	0	0	N/A	N/A		0	0	0	N/A	N/A	
	2	0	0	0	N/A	N/A	15	18	250	5	B		15	18	250	5	B	
	3	0	0	0	N/A	N/A	18	22	140	5	B		18	22	140	5	B	
	4	0	0	0	N/A	N/A	15	18	355	6	B		15	18	355	6	B	
	5	0	0	0	N/A	N/A	15	18	335	5	B		15	18	335	5	B	
	6	0	0	0	N/A	N/A	0	0	0	N/A	N/A		0	0	0	N/A	N/A	
	7	0	0	0	N/A	N/A	0	0	0	N/A	N/A		0	0	0	N/A	N/A	
	8	0	0	0	N/A	N/A	0	0	0	N/A	N/A		0	0	0	N/A	N/A	
N.Blvd @ 37th St	1	0	0	0	N/A	N/A	0	0	0	N/A	N/A		0	0	0	N/A	N/A	
	2	0	0	0	N/A	N/A	15	18	254	5	B		15	18	254	5	B	
	3	0	0	0	N/A	N/A	18	22	207	5	B		18	22	207	5	B	
	4	0	0	0	N/A	N/A	14	17	71	4	B		14	17	71	4	B	
	5	0	0	0	N/A	N/A	15	18	261	5	B		15	18	261	5	B	
	6	0	0	0	N/A	N/A	0	0	0	N/A	N/A		0	0	0	N/A	N/A	
	7	0	0	0	N/A	N/A	0	0	0	N/A	N/A		0	0	0	N/A	N/A	
	8	0	0	0	N/A	N/A	0	0	0	N/A	N/A		0	0	0	N/A	N/A	
Blvd @ 38th St	1	0	0	0	N/A	N/A	15	18	258	5	B		15	18	258	5	B	
	2	0	0	0	N/A	N/A	15	18	265	5	B		15	18	265	5	B	
	3	0	0	0	N/A	N/A	18	22	108	4	B		18	22	108	4	B	
	4	0	0	0	N/A	N/A	14	17	103	4	B		14	17	103	4	B	
	5	0	0	0	N/A	N/A	15	18	248	5	B		15	18	248	5	B	
	6	0	0	0	N/A	N/A	15	18	238	5	B		15	18	238	5	B	
	7	0	0	0	N/A	N/A	14	17	110	5	B		14	17	110	5	B	
	8	0	0	0	N/A	N/A	18	22	129	4	B		18	22	129	4	B	
S.Blvd @ 35th St	1	0	0	0	N/A	N/A	15	18	331	5	B		15	18	331	5	B	
	2	0	0	0	N/A	N/A	0	0	0	N/A	N/A		0	0	0	N/A	N/A	
	3	0	0	0	N/A	N/A	0	0	0	N/A	N/A		0	0	0	N/A	N/A	
	4	0	0	0	N/A	N/A	0	0	0	N/A	N/A		0	0	0	N/A	N/A	
	5	0	0	0	N/A	N/A	0	0	0	N/A	N/A		0	0	0	N/A	N/A	
	6	0	0	0	N/A	N/A	0	0	0	N/A	N/A		0	0	0	N/A	N/A	
	7	0	0	0	N/A	N/A	15	18	167	5	B		15	18	167	5	B	
	8	0	0	0	N/A	N/A	20	24	187	5	B		20	24	187	5	B	
S.Blvd @ 36th St	1	0	0	0	N/A	N/A	15	18	226	5	B		15	18	226	5	B	
	2	0	0	0	N/A	N/A	0	0	0	N/A	N/A		0	0	0	N/A	N/A	
	3	0	0	0	N/A	N/A	0	0	0	N/A	N/A		0	0	0	N/A	N/A	
	4	0	0	0	N/A	N/A	0	0	0	N/A	N/A		0	0	0	N/A	N/A	
	5	0	0	0	N/A	N/A	0	0	0	N/A	N/A		0	0	0	N/A	N/A	
	6	0	0	0	N/A	N/A	15	18	290	5	B		15	18	290	5	B	
	7	0	0	0	N/A	N/A	15	18	215	5	B		15	18	215	5	B	
	8	0	0	0	N/A	N/A	18	22	141	5	B		18	22	141	5	B	
S.Blvd @ 37th St	1	0	0	0	N/A	N/A	15	18	228	5	B		15	18	228	5	B	
	2	0	0	0	N/A	N/A	0	0	0	N/A	N/A		0	0	0	N/A	N/A	
	3	0	0	0	N/A	N/A	0	0	0	N/A	N/A		0	0	0	N/A	N/A	
	4	0	0	0	N/A	N/A	0	0	0	N/A	N/A		0	0	0	N/A	N/A	
	5	0	0	0	N/A	N/A	0	0	0	N/A	N/A		0	0	0	N/A	N/A	
	6	0	0	0	N/A	N/A	15	18	254	5	B		15	18	254	5	B	
	7	0	0	0	N/A	N/A	14	17	87	4	B		14	17	87	4	B	
	8	0	0	0	N/A	N/A	18	22	139	5	B		18	22	139	5	B	

**Appendix S.5.4  
Existing Conditions: Corners Level of Service**

Intersection	Corner	Curb Radii	AM		MD		PM		SE-EVE		SE-SUN	
			SF/P	LOS	SF/P	LOS	SF/P	LOS	SF/P	LOS	SF/P	LOS
Twelfth Ave @ 30th St	Northeast	13	11987	A	7991	A	2995	A	2665	A	3417	A
	Southeast	13	3952	A	7128	A	5092	A	7116	A	4450	A
Twelfth Ave @ 34th St	Northeast	12	8319	A	2311	A	1734	A	5942	A	4160	A
	Southeast	12	3779	A	2971	A	1978	A	8306	A	4611	A
Twelfth Ave @ 39th St	Northeast	12	15502	A	3442	A	6202	A	6201	A	2381	A
	Southeast	12	2663	A	3496	A	3024	A	3023	A	1090	A
Twelfth Ave @ 40th St	Northeast	12	6297	A	4195	A	6298	A				
	Southeast	10	5473	A	4702	A	5478	A				
Twelfth Ave @ 42nd St	Northeast	14	2210	A	1602	A	1173	A				
	Southeast	13	3601	A	6381	A	3196	A				
Eleventh Ave @ 29th St	Northeast	15	5487	A	2350	A	4115	A				
	Southeast	15	4710	A	1828	A	2195	A				
	Southwest	15	10991	A	3658	A	1933	A				
	Northwest	15	5490	A	3654	A	2189	A				
Eleventh Ave @ 30th St	Northeast	15	4708	A	763	A	1432	A	4710	A	16487	A
	Southeast	15	5496	A	940	A	1427	A	6591	A	5496	A
	Southwest	15	5493	A	866	A	1828	A	5487	A	8239	A
	Northwest	15	4122	A	630	A	1318	A	6588	A	16478	A
Eleventh Ave @ 33rd St	Northeast	15	4122	A	3657	A	2199	A	2536	A	4706	A
	Southeast	15	5496	A	3657	A	3658	A	8233	A	4708	A
	Southwest	15	2743	A	5489	A	5492	A	6596	A	6591	A
	Northwest	15	2739	A	5491	A	5484	A	8231	A	5486	A
Eleventh Ave @ 34th St	Northeast	15	1653	A	1473	A	1949	A	2682	A	911	A
	Southeast	18	1719	A	1989	A	2586	A	1328	A	2151	A
	Southwest	18	4308	A	2057	A	2863	A	2578	A	2864	A
	Northwest	18	4701	A	1987	A	3039	A	3230	A	1344	A
Eleventh Ave @ 35th St	Northeast	11	5909	A	4128	A	5166	A				
	Southeast	11	4788	A	4106	A	7190	A				
Eleventh Ave @ 36th St	Northeast	11	4081	A	3401	A	2547	A				
	Southeast	14	4034	A	3453	A	2195	A				
Eleventh Ave @ 37th St	Northeast	15	3210	A	1607	A	1461	A				
	Southeast	15	8054	A	688	A	3209	A				
Eleventh Ave @ 38th St	Northeast	15	3450	A	571	A	3450	A				
	Southeast	15	3450	A	1134	A	1361	A				
Eleventh Ave @ 39th St	Northeast	11	2640	A	875	A	2113	A	3018	A	1509	A
	Southeast	12	2527	A	2529	A	1968	A	1256	A	771	A
	Southwest	13	451	A	3564	A	5095	A	1780	A	1005	A
	Northwest	12	492	A	1478	A	4024	A	1546	A	1428	A
Eleventh Ave @ 40th St	Northeast	15	964	A	1666	A	4588	A				
	Southeast	15	1076	A	1400	A	902	A				
	Southwest	15	1097	A	1733	A	932	A				
	Northwest	15	865	A	1644	A	1733	A				
Eleventh Ave @ 42nd St	Northeast	13	1460	A	1135	A	949	A	873	A	908	A
	Southeast	12	795	A	991	A	934	A	833	A	761	A
	Southwest	12	683	A	1556	A	774	A	1371	A	842	A
	Northwest	12	1202	A	2018	A	918	A	1673	A	1441	A
Tenth Ave @ 29th St	Northeast	15	1424	A	860	A	1364	A				
	Southeast	15	1314	A	761	A	1311	A				
	Southwest	15	1092	A	940	A	937	A				
	Northwest	15	1371	A	1056	A	889	A				
Tenth Ave @ 30th St	Northeast	13	2093	A	2971	A	3554	A	3959	A	5097	A
	Southeast	15	1646	A	2326	A	2833	A	3306	A	4959	A
	Southwest	11	2429	A	2430	A	1644	A	2950	A	3176	A
	Northwest	13	3830	A	3242	A	1755	A	3830	A	2808	A
Tenth Ave @ 31st St	Northeast	10	1391	A	972	A	1621	A	4325	A	5574	A
	Southeast	11	1896	A	1460	A	1460	A	3796	A	5421	A
Tenth Ave @ 33rd St	Northeast	12	662	A	222	A	964	A	1144	A	3684	A
	Southeast	9	842	A	512	A	758	A	1416	A	3991	A
	Southwest	12	1109	A	383	A	763	A	3349	A	2301	A
	Northwest	10	881	A	207	A	947	A	2436	A	1945	A
Tenth Ave @ 34th St	Northeast	20	404	A	421	A	451	A	794	A	1225	A
	Southeast	20	398	A	267	A	343	A	516	A	1496	A
	Southwest	20	487	A	316	A	345	A	685	A	1774	A
	Northwest	20	432	A	361	A	458	A	1062	A	1328	A
Tenth Ave @ 35th St	Northeast	12	660	A	538	A	447	A				
	Southeast	12	738	A	355	A	353	A				
	Southwest	12	815	A	364	A	454	A				
	Northwest	12	610	A	369	A	446	A				
Tenth Ave @ 36th St	Northeast	9	337	A	886	A	673	A				
	Southeast	11	192	A	741	A	294	A				
	Southwest	11	251	A	534	A	230	A				
	Northwest	12	409	A	507	A	418	A				
Tenth Ave @ 37th St	Northeast	15	438	A	597	A	553	A				
	Southeast	15	475	A	449	A	769	A				
	Southwest	15	838	A	512	A	717	A				
	Northwest	15	598	A	609	A	678	A				

**Appendix S.5.4  
Existing Conditions: Corners Level of Service**

Intersection	Corner	Curb Radii	AM		MD		PM		SE-EVE		SE-SUN	
			SF/P	LOS	SF/P	LOS	SF/P	LOS	SF/P	LOS	SF/P	LOS
Tenth Ave @ 38th St	Northeast	15	1637	A	530	A	892	A				
	Southeast	15	3285	A	732	A	865	A				
	Southwest	15	2115	A	839	A	834	A				
	Northwest	15	1399	A	623	A	916	A				
Tenth Ave @ 39th St	Northeast	15	1847	A	1734	A	1556	A				
	Southeast	15	1087	A	1403	A	890	A				
	Southwest	15	2997	A	2350	A	1019	A				
	Northwest	15	3254	A	2532	A	1197	A				
Tenth Ave @ 40th St	Northeast	15	917	A	1739	A	638	A				
	Southeast	15	1091	A	2465	A	1132	A				
	Southwest	15	5495	A	2352	A	1559	A				
	Northwest	15	4113	A	1827	A	1134	A				
Tenth Ave @ 41st St	Northeast	12.3	660	A	531	A	497	A				
	Southeast	11.5	1569	A	764	A	736	A				
	Southwest	13	2001	A	1573	A	960	A				
	Northwest	10.5	912	A	1359	A	826	A				
Tenth Ave @ 42nd St	Northeast	11.5	584	A	620	A	405	A				
	Southeast	12.2	484	A	532	A	274	A				
	Southwest	11	438	A	458	A	415	A				
	Northwest	15	365	A	394	A	308	A				
Dyer @ 42nd St	Southeast	19.6	73	B	63	B	33	C				
	Southwest	10	174	A	144	A	76	B				
Ninth Ave @ 30th St	Northeast	11	230	A	327	A	287	A	576	A	346	A
	Southeast	10	207	A	303	A	253	A	617	A	244	A
	Southwest	15.8	97	B	408	A	319	A	869	A	173	A
	Northwest	12	117	B	528	A	494	A	879	A	360	A
Ninth Ave @ 31st St	Northeast	15	185	A	346	A	126	B	707	A	161	A
	Southeast	15	99	B	303	A	137	A	546	A	400	A
	Southwest	15	156	A	130	A	193	A	936	A	840	A
	Northwest	15	375	A	277	A	163	A	1091	A	512	A
Ninth Ave @ 33rd St	Northeast	15	108	B	82	B	109	B	368	A	166	A
	Southeast	15	64	B	104	B	61	B	337	A	261	A
	Southwest	15	82	B	104	B	98	B	588	A	513	A
	Northwest	15	118	B	99	B	164	A	840	A	421	A
Ninth Ave @ 34th St	Northeast	20	91	B	169	A	75	B	341	A	260	A
	Southeast	20	86	B	113	B	83	B	294	A	173	A
	Southwest	20	87	B	96	B	84	B	393	A	332	A
	Northwest	20	83	B	119	B	68	B	492	A	488	A
Ninth Ave @ 37th St	Northeast	15	163	A	132	A	81	B				
	Southeast	15	152	A	138	A	85	B				
	Southwest	15	378	A	319	A	218	A				
	Northwest	15	355	A	283	A	164	A				
Ninth Ave @ 38th St	Northeast	15	156	A	269	A	117	B				
	Southeast	15	154	A	242	A	125	B				
	Southwest	15	338	A	258	A	251	A				
	Northwest	15	306	A	234	A	221	A				
Ninth Ave @ 39th St	Northeast	15	161	A	157	A	86	B				
	Southeast	15	177	A	145	A	90	B				
	Southwest	15	372	A	375	A	205	A				
	Northwest	15	298	A	373	A	166	A				
Ninth Ave @ 42nd St	Northeast	12	31	C	30	C	13	E				
	Southeast	12.5	110	B	100	B	76	B				
	Southwest	15	147	A	124	B	86	B				
	Northwest	12	179	A	159	A	82	B				
Eighth Ave @ 30th St	Northeast	10.7	120	B	112	B	79	B	213	A	191	A
	Southeast	12	171	A	148	A	110	B	319	A	264	A
	Southwest	10.7	215	A	168	A	154	A	290	A	242	A
	Northwest	10.3	161	A	146	A	123	B	247	A	181	A
Eighth Ave @ 31st St	Northeast	15	572	A	589	A	562	A	676	A	882	A
	Southeast	15	81	B	82	B	82	B	133	A	119	B
	Southwest	15	109	B	76	B	81	B	124	B	157	A
	Northwest	15	116	B	94	B	93	B	182	A	221	A
Eighth Ave @ 33rd St	Northeast	15	75	B	59	B	43	B	109	B	102	B
	Southeast	15	483	A	346	A	322	A	699	A	575	A
	Southwest	15	16	D	32	C	27	C	44	B	89	B
	Northwest	15	24	C	50	B	26	C	59	B	98	B

**Appendix S.5.4  
Existing Conditions: Corners Level of Service**

Intersection	Corner	Curb Radii	AM		MD		PM		SE-EVE		SE-SUN	
			SF/P	LOS	SF/P	LOS	SF/P	LOS	SF/P	LOS	SF/P	LOS
Eighth Ave @ 34th St	Northeast	15	100	B	62	B	48	B	27	C	97	B
	Southeast	15	104	B	75	B	70	B	21	D	87	B
	Southwest	15	105	B	80	B	73	B	28	C	85	B
	Northwest	15	106	B	66	B	58	B	124	B	121	B
Eighth Ave @ 37th St	Northeast	15	52	B	42	B	35	C				
	Southeast	15	58	B	41	B	33	C				
	Southwest	15	46	B	31	C	29	C				
	Northwest	15	53	B	38	C	40	B				
Eighth Ave @ 38th St	Northeast	15	102	B	63	B	444	A				
	Southeast	15	121	B	55	B	239	A				
	Southwest	15	85	B	62	B	246	A				
	Northwest	15	63	B	56	B	492	A				
Eighth Ave @ 39th St	Northeast	15	22	D	40	B	26	C				
	Southeast	15	32	C	14	E	22	D				
	Southwest	15	36	C	18	D	9	E				
	Northwest	15	29	C	31	C	21	D				
Eighth Ave @ 42nd St	Northeast	12	63	B	79	B	31	C				
	Southeast	13	11	E	20	D	-2	F				
	Southwest	12	72	B	197	A	73	B				
	Northwest	14	34	C	76	B	11	E				
Seventh Ave @ 31st St	Northeast	15	55	B	67	B	41	B				
	Southeast	15	59	B	60	B	33	C				
	Southwest	15	53	B	87	B	32	C				
	Northwest	15	74	B	147	A	62	B				
Seventh Ave @ 33rd St	Northeast	15	40	B	43	B	29	C				
	Southeast	15	30	C	36	C	30	C				
	Southwest	15	258	A	300	A	268	A				
	Northwest	15	42	B	50	B	35	C				
Seventh Ave @ 34th St	Northeast	15	84	B	57	B	77	B				
	Southeast	15	80	B	76	B	83	B				
	Southwest	15	40	B	76	B	88	B				
	Northwest	15	43	B	51	B	68	B				
Sixth Ave @ 33rd St	Northeast	15	84	B	59	B	36	C				
	Southeast	15	76	B	61	B	28	C				
	Southwest	15	47	B	40	B	23	D				
	Northwest	15	88	B	65	B	50	B				
Sixth Ave @ 34th St	Northeast	15	48	B	19	D	21	D	81	B	40	B
	Southeast	15	52	B	21	D	24	C	75	B	42	B
Broadway @ 34th St	Southwest	15	83	B	33	C	31	C	127	B	113	B
	Northwest	15	57	B	32	C	34	C	138	A	100	B

## Appendix S.5.4

### Pedestrian Improvement Analysis - Corner Level of Service

#### 2010 Future Conditions (AM)

Intersection	Corner Location	2010 Future without the Proposed Action				2010 Future with the Proposed Action					2010 Future with the Proposed Action (Improvement)										
		Sidewalk Width for No Build Condition		Pedestrian Flow Rate (s.f./ped.)	Level of Service	Sidewalk Width for Build Condition		Pedestrian an Green	Pedestrian Flow Rate (s.f./ped.)	Level of Service	Impact?	Proposed Sidewalk Width Improvement	Signal Timing	Pedestrian Flow Rate (s.f./ped.)	Level of Service	Still Impact?					
<b>Twelfth Ave @ 30th St</b>	NORTHEAST	1	5	15	11987	A	1	5	15	24	5990	A		1	5		11994	A			
	SOUTHEAST	2	11	6	3952	A	2	11	6	95	2963	A		2	6		3555	A			
	SOUTHWEST	3	13	7	N/A	N/A	3	13	7	24	N/A	N/A		3	7		N/A	N/A			
	NORTHWEST	4	13	8	N/A	N/A	4	13	8	95	N/A	N/A		4	8		N/A	N/A			
<b>Twelfth Ave @ 34th St</b>	NORTHEAST	1	5	12	8319	A	1	5	12	29	4615	A		1	5		33	5938	A		
	SOUTHEAST	2	12	6	750	A	2	12	6	80	686	A		2	6		76	711	A		
	SOUTHWEST	3	18	7	N/A	N/A	3	18	7	29	N/A	N/A		3	7		33	N/A	N/A		
	NORTHWEST	4	18	8	N/A	N/A	4	18	8	80	N/A	N/A		4	8		76	N/A	N/A		
<b>Twelfth Ave @ 39th St</b>	NORTHEAST	1	5	18	15502	A	1	5	18	30	N/A	N/A		1	5			N/A	N/A		
	SOUTHEAST	2	13	6	1036	A	2	13	6	69	N/A	N/A		2	6		95	N/A	N/A		
	SOUTHWEST	3	13	7	N/A	N/A	3	7		30	N/A	N/A		3	7			N/A	N/A		
	NORTHWEST	4	13	8	N/A	N/A	4	8		69	N/A	N/A		4	8		95	N/A	N/A		
<b>Twelfth Ave @ 40th St</b>	NORTHEAST	1	5	14	6297	A	1	5	14	0	N/A	N/A		1	5			N/A	N/A		
	SOUTHEAST	2	13	6	5473	A	2	13	6	71	N/A	N/A		2	6			N/A	N/A		
	SOUTHWEST	3	11	7	N/A	N/A	3	7		0	N/A	N/A		3	7			N/A	N/A		
	NORTHWEST	4	12	8	N/A	N/A	4	8		71	N/A	N/A		4	8			N/A	N/A		
<b>Twelfth Ave @ 42nd St</b>	NORTHEAST	1	5	20	791	A	1	5	20	33	727	A		1	5			727	A		
	SOUTHEAST	2	20	6	1507	A	2	20	6	69	1408	A		2	6			1408	A		
	SOUTHWEST	3	15	7	N/A	N/A	3	15	7	33	N/A	N/A		3	7			N/A	N/A		
	NORTHWEST	4	26	8	N/A	N/A	4	26	8	0	N/A	N/A		4	8			N/A	N/A		
<b>Eleventh Ave @ 29th St</b>	NORTHEAST	1	15	5	2055	A	1	15	5	15	40	391	A		1	5			391	A	
	SOUTHEAST	2	15	6	1726	A	2	15	6	15	40	903	A		2	6			903	A	
	SOUTHWEST	3	13	7	4117	A	3	13	7	13	40	2347	A		3	7			2347	A	
	NORTHWEST	4	13	8	3658	A	4	13	8	13	40	822	A		4	8			822	A	
<b>Eleventh Ave @ 30th St</b>	NORTHEAST	1	15	5	1937	A	1	15	5	15	40	560	A		1	5			560	A	
	SOUTHEAST	2	15	6	2990	A	2	15	6	15	40	675	A		2	6			675	A	
	SOUTHWEST	3	13	7	2743	A	3	13	7	13	40	401	A		3	7			401	A	
	NORTHWEST	4	13	8	1934	A	4	13	8	13	40	357	A		4	8			357	A	
<b>Eleventh Ave @ 33rd St</b>	NORTHEAST	1	15	5	1136	A	1	15	5	15	25	347	A		1	5			347	A	
	SOUTHEAST	2	15	6	2352	A	2	15	6	15	55	451	A		2	6			451	A	
	SOUTHWEST	3	13	7	2743	A	3	13	7		25	N/A	N/A		3	7			N/A	N/A	
	NORTHWEST	4	13	8	2739	A	4	13	8		55	N/A	N/A		4	8			N/A	N/A	
<b>Eleventh Ave @ 34th St</b>	NORTHEAST	1	15	5	688	A	1	15	5	15	22	391	A		1	5		41	393	A	
	SOUTHEAST	2	12	6	764	A	2	17	6	15	58	232	A		2	6		39	233	A	
	SOUTHWEST	3	20	7	1026	A	3	30	7	20	22	252	A		3	7		41	250	A	
	NORTHWEST	4	20	8	1025	A	4	20	8	20	58	199	A		4	8		39	204	A	
<b>Eleventh Ave @ 35th St</b>	NORTHEAST	1	19	5	2427	A	1	19	5	16	40	119	B		1	5			119	B	
	SOUTHEAST	2	15	6	1791	A	2	15	6	15	40	161	A		2	6			161	A	
	SOUTHWEST	3	14	7	N/A	N/A	3	14	7		40	N/A	N/A		3	7			N/A	N/A	
	NORTHWEST	4	14	8	N/A	N/A	4	19	8		40	N/A	N/A		4	8			N/A	N/A	
<b>Eleventh Ave @ 36th St</b>	NORTHEAST	1	15	5	1557	A	1	15	5	15	22	308	A		1	5			308	A	
	SOUTHEAST	2	9	6	1722	A	2	9	6	17	22	172	A		2	6			172	A	
	SOUTHWEST	3	13	7	N/A	N/A	3	13	7		22	N/A	N/A		3	7			N/A	N/A	
	NORTHWEST	4	10	8	N/A	N/A	4	10	8		0	N/A	N/A		4	8			N/A	N/A	

## Appendix S.5.4

### Pedestrian Improvement Analysis - Corner Level of Service

#### 2010 Future Conditions (AM)

Intersection	Corner Location	2010 Future without the Proposed Action					2010 Future with the Proposed Action					2010 Future with the Proposed Action (Improvement)													
		Sidewalk Width for No Build Condition		Pedestrian Flow Rate (s.f./ped.)	Level of Service		Sidewalk Width for Build Condition		Pedestrian an Green	Pedestrian Flow Rate (s.f./ped.)	Level of Service	Impact?	Proposed Sidewalk Width Improvement	Signal Timing	Pedestrian Flow Rate (s.f./ped.)	Level of Service	Still Impact?								
<b>Eleventh Ave @ 37th St</b>	NORTHEAST	1	15	5	10	1232	A			1	15	5	10	22	270	A			1	5			270	A	
	SOUTHEAST	2	10	6	15	1335	A			2	10	6	15	58	280	A			2	6			280	A	
	SOUTHWEST	3	12	7		N/A	N/A			3	12	7		22	N/A	N/A			3	7			N/A	N/A	
	NORTHWEST	4	12	8		N/A	N/A			4	12	8		0	N/A	N/A			4	8			N/A	N/A	
<b>Eleventh Ave @ 38th St</b>	NORTHEAST	1	15	5	10	3450	A			1	15	5	10	22	633	A			1	5			633	A	
	SOUTHEAST	2	10	6	15	3450	A			2	10	6	15	22	653	A			2	6			653	A	
	SOUTHWEST	3	11	7		N/A	N/A			3	11	7		22	N/A	N/A			3	7			N/A	N/A	
	NORTHWEST	4	11	8		N/A	N/A			4	11	8		22	N/A	N/A			4	8		0	N/A	N/A	
<b>Eleventh Ave @ 39th St</b>	NORTHEAST	1	14	5	10	2640	A			1	14	5	10	31	1501	A			1	5			1501	A	
	SOUTHEAST	2	10	6	15	563	A			2	10	6	15	49	458	A			2	6			458	A	
	SOUTHWEST	3	12	7	13	333	A			3	12	7	13	31	N/A	N/A			3	7			N/A	N/A	
	NORTHWEST	4	11	8	15	474	A			4	11	8	15	49	N/A	N/A			4	8			N/A	N/A	
<b>Eleventh Ave @ 40th St</b>	NORTHEAST	1	15	5	10	964	A			1	15	5	10	22	579	A			1	5			579	A	
	SOUTHEAST	2	10	6	15	1076	A			2	10	6	15	22	1013	A			2	6			1013	A	
	SOUTHWEST	3	13	7	13	1097	A			3	13	7	13	22	N/A	N/A			3	7			N/A	N/A	
	NORTHWEST	4	13	8	13	865	A			4	13	8	13	22	N/A	N/A			4	8			N/A	N/A	
<b>Eleventh Ave @ 42nd St</b>	NORTHEAST	1	16	5	16	293	A			1	16	5	16	33	201	A			1	5			201	A	
	SOUTHEAST	2	16	6	15	289	A			2	16	6	15	35	199	A			2	6			199	A	
	SOUTHWEST	3	15	7	16	248	A			3	15	7	16	33	165	A			3	7			165	A	
	NORTHWEST	4	15	8	16	279	A			4	15	8	16	35	173	A			4	8			173	A	
<b>Tenth Ave @ 29th St</b>	NORTHEAST	1	15	5	15	592	A			1	15	5	15	30	604	A			1	5			604	A	
	SOUTHEAST	2	15	6	15	493	A			2	15	6	15	50	508	A			2	6			508	A	
	SOUTHWEST	3	13	7	13	356	A			3	13	7	13	30	339	A			3	7			339	A	
	NORTHWEST	4	13	8	13	433	A			4	13	8	13	50	412	A			4	8			412	A	
<b>Tenth Ave @ 30th St</b>	NORTHEAST	1	16	5	15	630	A			1	16	5	15	30	533	A			1	5			533	A	
	SOUTHEAST	2	15	6	15	756	A			2	15	6	15	50	687	A			2	6			687	A	
	SOUTHWEST	3	13	7	14	692	A			3	13	7	14	30	617	A			3	7			617	A	
	NORTHWEST	4	15	8	14	652	A			4	15	8	14	50	503	A			4	8			503	A	
<b>Tenth Ave @ 31st St</b>	NORTHEAST	1	15	5	15	747	A			1	15	5	15	30	521	A			1	5			521	A	
	SOUTHEAST	2	15	6	15	899	A			2	15	6	15	50	737	A			2	6			737	A	
	SOUTHWEST	3	13	7		N/A	N/A			3	13	7		30	N/A	N/A			3	7			N/A	N/A	
	NORTHWEST	4	13	8		N/A	N/A			4	13	8		0	N/A	N/A			4	8			N/A	N/A	
<b>Tenth Ave @ 33rd St</b>	NORTHEAST	1	15	5	15	441	A			1	15	5	15	32	198	A			1	5			198	A	
	SOUTHEAST	2	15	6	15	436	A			2	15	6	15	48	202	A			2	6			202	A	
	SOUTHWEST	3	13	7	13	474	A			3	13	7	13	32	194	A			3	7			194	A	
	NORTHWEST	4	13	8	13	527	A			4	13	8	13	48	226	A			4	8			226	A	
<b>Tenth Ave @ 34th St</b>	NORTHEAST	1	15	5	15	303	A			1	15	5	15	30	156	A			1	5		33	157	A	
	SOUTHEAST	2	15	6	15	304	A			2	15	6	15	50	153	A			2	6		47	154	A	
	SOUTHWEST	3	20	7	20	374	A			3	20	7	20	30	177	A			3	7		33	177	A	
	NORTHWEST	4	20	8	20	328	A			4	20	8	20	50	160	A			4	8		47	160	A	
<b>Tenth Ave @ 35th St</b>	NORTHEAST	1	16	5	15	620	A			1	16	5	15	30	229	A			1	5			229	A	
	SOUTHEAST	2	15	6	15	692	A			2	15	6	15	50	102	B			2	6			102	B	
	SOUTHWEST	3	15	7	13	733	A			3	15	7	13	30	154	A			3	7			154	A	
	NORTHWEST	4	9	8	14	555	A			4	9	8	14	50	201	A			4	8			201	A	



## Appendix S.5.4

### Pedestrian Improvement Analysis - Corner Level of Service

#### 2010 Future Conditions (AM)

Intersection	Corner Location	2010 Future without the Proposed Action					2010 Future with the Proposed Action					2010 Future with the Proposed Action (Improvement)											
		Sidewalk Width for No Build Condition		Pedestrian Flow Rate (s.f./ped.)	Level of Service		Sidewalk Width for Build Condition		Pedestrian an Green	Pedestrian Flow Rate (s.f./ped.)	Level of Service	Impact?	Proposed Sidewalk Width Improvement	Signal Timing	Pedestrian Flow Rate (s.f./ped.)	Level of Service	Still Impact?						
<b>Tenth Ave @ 36th St</b>	NORTHEAST	1	15	5	15	317	A		1	15	5	15	30	289	A		1	5			289	A	
	SOUTHEAST	2	16	6	15	183	A		2	16	6	15	50	172	A		2	6			172	A	
	SOUTHWEST	3	12	7	12	239	A		3	12	7	12	30	194	A		3	7			194	A	
	NORTHWEST	4	12	8	12	381	A		4	12	8	12	50	274	A		4	8			274	A	
<b>Tenth Ave @ 37th St</b>	NORTHEAST	1	15	5	15	384	A		1	15	5	15	32	288	A		1	5			288	A	
	SOUTHEAST	2	15	6	15	446	A		2	15	6	15	48	340	A		2	6			340	A	
	SOUTHWEST	3	12	7	12	793	A		3	12	7	12	32	450	A		3	7			450	A	
	NORTHWEST	4	12	8	12	532	A		4	12	8	12	48	338	A		4	8			338	A	
<b>Tenth Ave @ 38th St</b>	NORTHEAST	1	15	5	15	1338	A		1	15	5	15	30	791	A		1	5			791	A	
	SOUTHEAST	2	15	6	15	2108	A		2	15	6	15	50	1049	A		2	6			1049	A	
	SOUTHWEST	3	12	7	12	1643	A		3	12	7	12	30	894	A		3	7			894	A	
	NORTHWEST	4	12	8	12	1224	A		4	12	8	12	50	750	A		4	8			750	A	
<b>Tenth Ave @ 39th St</b>	NORTHEAST	1	15	5	15	815	A		1	15	5	15	35	561	A		1	5			561	A	
	SOUTHEAST	2	15	6	15	621	A		2	15	6	15	45	461	A		2	6			461	A	
	SOUTHWEST	3	12	7	13	1092	A		3	12	7	13	35	798	A		3	7			798	A	
	NORTHWEST	4	12	8	10	870	A		4	12	8	10	45	626	A		4	8			626	A	
<b>Tenth Ave @ 40th St</b>	NORTHEAST	1	15	5	15	621	A		1	15	5	15	36	362	A		1	5			362	A	
	SOUTHEAST	2	15	6	15	774	A		2	15	6	15	44	513	A		2	6			513	A	
	SOUTHWEST	3	12	7	13	2350	A		3	12	7	13	36	1428	A		3	7			1428	A	
	NORTHWEST	4	12	8	13	1726	A		4	12	8	13	44	909	A		4	8			909	A	
<b>Tenth Ave @ 41st St</b>	NORTHEAST	1	15	5	16	300	A		1	15	5	16	45	178	A		1	5			178	A	
	SOUTHEAST	2	16	6	10	1126	A		2	16	6	10	35	589	A		2	6			589	A	
	SOUTHWEST	3	10	7	17	1247	A		3	10	7	17	45	879	A		3	7			879	A	
	NORTHWEST	4	14	8	12	421	A		4	14	8	12	35	309	A		4	8			309	A	
<b>Tenth Ave @ 42nd St</b>	NORTHEAST	1	20	5	16	320	A		1	20	5	16	28	247	A		1	5			34	248	A
	SOUTHEAST	2	22	6	16	298	A		2	22	6	16	52	219	A		2	6			46	220	A
	SOUTHWEST	3	21	7	15	249	A		3	21	7	15	28	197	A		3	7			34	199	A
	NORTHWEST	4	20	8	15	187	A		4	20	8	15	52	148	A		4	8			46	151	A
<b>Dyer @ 42nd St</b>	NORTHEAST	1		5	6	N/A	N/A		1		5	6	34	N/A	N/A		1	5			N/A	N/A	
	SOUTHEAST	2		6	4	66	B		2		6	4	46	54	B		2	6			54	B	
	SOUTHWEST	3	21	7	20	155	A		3	21	7	20	34	125	B		3	7			125	B	
	NORTHWEST	4	20	8	21	N/A	N/A		4	20	8	21	46	N/A	N/A		4	8			N/A	N/A	
<b>Ninth Ave @ 30th St</b>	NORTHEAST	1	16	5	16	169	A		1	16	5	16	36	164	A		1	5			164	A	
	SOUTHEAST	2	15	6	16	166	A		2	15	6	16	44	164	A		2	6			164	A	
	SOUTHWEST	3	13	7	14	83	B		3	13	7	14	36	84	B		3	7			84	B	
	NORTHWEST	4	13	8	12	98	B		4	13	8	12	44	96	B		4	8			96	B	
<b>Ninth Ave @ 31st St</b>	NORTHEAST	1	15	5	15	105	B		1	15	5	15	30	98	B		1	5			98	B	
	SOUTHEAST	2	13	6	15	76	B		2	13	6	15	50	74	B		2	6			74	B	
	SOUTHWEST	3	13	7	13	131	A		3	13	7	13	30	126	B		3	7			126	B	
	NORTHWEST	4	13	8	13	225	A		4	13	8	13	50	204	A		4	8			204	A	
<b>Ninth Ave @ 33rd St</b>	NORTHEAST	1	15	5	15	67	B		1	15	5	15	30	44	B		1	5			44	B	
	SOUTHEAST	2	15	6	15	43	B		2	15	6	15	50	30	C		2	6			30	C	
	SOUTHWEST	3	13	7	13	55	B		3	13	7	13	30	43	B		3	7			43	B	
	NORTHWEST	4	13	8	13	76	B		4	13	8	13	50	54	B		4	8			54	B	

## Appendix S.5.4

### Pedestrian Improvement Analysis - Corner Level of Service

#### 2010 Future Conditions (AM)

Intersection	Corner Location	2010 Future without the Proposed Action				2010 Future with the Proposed Action					2010 Future with the Proposed Action (Improvement)											
		Sidewalk Width for No Build Condition		Pedestrian Flow Rate (s.f./ped.)	Level of Service	Sidewalk Width for Build Condition		Pedestrian an Green	Pedestrian Flow Rate (s.f./ped.)	Level of Service	Impact?	Proposed Sidewalk Width Improvement	Signal Timing	Pedestrian Flow Rate (s.f./ped.)	Level of Service	Still Impact?						
<b>Ninth Ave @ 34th St</b>	NORTHEAST	1	15	5	15	67	B	1	15	5	15	30	56	B		1	5		56	B		
	SOUTHEAST	2	15	6	15	69	B	2	15	6	15	35	57	B		2	6		57	B		
	SOUTHWEST	3	23	7	20	71	B	3	23	7	20	30	60	B		3	7		60	B		
	NORTHWEST	4	23	8	20	62	B	4	23	8	20	35	53	B		4	8		53	B		
<b>Ninth Ave @ 37th St</b>	NORTHEAST	1	15	5	15	147	A	1	15	5	15	30	137	A		1	5		137	A		
	SOUTHEAST	2	15	6	15	138	A	2	15	6	15	50	130	A		2	6		130	A		
	SOUTHWEST	3	12	7	12	98	B	3	12	7	12	30	94	B		3	7		94	B		
	NORTHWEST	4	12	8	12	73	B	4	12	8	12	50	70	B		4	8		70	B		
<b>Ninth Ave @ 38th St</b>	NORTHEAST	1	15	5	15	144	A	1	15	5	15	30	127	B		1	5		127	B		
	SOUTHEAST	2	15	6	15	142	A	2	15	6	15	50	122	B		2	6		122	B		
	SOUTHWEST	3	11	7	11	313	A	3	11	7	11	30	243	A		3	7		243	A		
	NORTHWEST	4	11	8	11	285	A	4	11	8	11	50	243	A		4	8		243	A		
<b>Ninth Ave @ 39th St</b>	NORTHEAST	1	15	5	15	131	A	1	15	5	15	30	125	B		1	5		125	B		
	SOUTHEAST	2	15	6	15	130	A	2	15	6	15	50	125	B		2	6		125	B		
	SOUTHWEST	3	12	7	12	222	A	3	12	7	12	30	224	A		3	7		224	A		
	NORTHWEST	4	12	8	12	225	A	4	12	8	12	50	220	A		4	8		220	A		
<b>Ninth Ave @ 42nd St</b>	NORTHEAST	1	16	5	14	20	D	1	16	5	14	29	15	D		1	5		15	D		
	SOUTHEAST	2	10	6	15	85	B	2	10	6	15	35	54	B		2	6		54	B		
	SOUTHWEST	3	11	7	20	110	B	3	11	7	20	29	56	B		3	7		56	B		
	NORTHWEST	4	19	8	21	118	B	4	19	8	21	35	70	B		4	8		70	B		
<b>Eighth Ave @ 30th St</b>	NORTHEAST	1	14	5	15	111	B	1	14	5	15	38	108	B		1	5		108	B		
	SOUTHEAST	2	15	6	14	158	A	2	15	6	14	42	154	A		2	6		154	A		
	SOUTHWEST	3	13	7	14	187	A	3	13	7	14	38	184	A		3	7		184	A		
	NORTHWEST	4	14	8	13	144	A	4	14	8	13	42	141	A		4	8		141	A		
<b>Eighth Ave @ 31st St</b>	NORTHEAST	1	16	5	15	417	A	1	16	5	15	40	411	A		1	5		411	A		
	SOUTHEAST	2	24	6	15	75	B	2	24	6	15	40	74	B		2	6		74	B		
	SOUTHWEST	3	49	7	13	96	B	3	49	7	13	40	94	B		3	7		94	B		
	NORTHWEST	4	14	8	24	138	A	4	14	8	24	40	136	A		4	8		136	A		
<b>Eighth Ave @ 33rd St</b>	NORTHEAST	1	15	5	43	57	B	1	15	5	43	47	54	B		1	5		54	B		
	SOUTHEAST	2	19	6	16	340	A	2	19	6	16	33	327	A		2	6		327	A		
	SOUTHWEST	3	17	7	24	30	C	3	17	7	24	47	29	C		3	7		29	C		
	NORTHWEST	4	43	8	14	15	D	4	43	8	14	33	14	E	Yes	4	8		14	E	Yes	
<b>Eighth Ave @ 34th St</b>	NORTHEAST	1	15	5	15	80	B	1	15	5	15	40	67	B		1	5		32	64	B	
	SOUTHEAST	2	15	6	15	85	B	2	15	6	15	40	73	B		2	6		34	70	B	
	SOUTHWEST	3	22	7	22	80	B	3	22	7	22	40	67	B		3	7		32	65	B	
	NORTHWEST	4	22	8	22	77	B	4	22	8	22	40	64	B		4	8		34	61	B	
<b>Eighth Ave @ 37th St</b>	NORTHEAST	1	15	5	15	49	B	1	15	5	15	36	49	B		1	5		49	B		
	SOUTHEAST	2	15	6	15	53	B	2	15	6	15	44	52	B		2	6		52	B		
	SOUTHWEST	3	12	7	12	43	B	3	12	7	12	36	42	B		3	7		42	B		
	NORTHWEST	4	12	8	13	50	B	4	12	8	13	44	49	B		4	8		49	B		
<b>Eighth Ave @ 38th St</b>	NORTHEAST	1	15	5	15	96	B	1	15	5	15	38	91	B		1	5		91	B		
	SOUTHEAST	2	15	6	15	112	B	2	15	6	15	42	105	B		2	6		105	B		
	SOUTHWEST	3	12	7	11	80	B	3	12	7	11	38	75	B		3	7		75	B		
	NORTHWEST	4	12	8	11	59	B	4	12	8	11	42	56	B		4	8		56	B		

## Appendix S.5.4

### Pedestrian Improvement Analysis - Corner Level of Service

#### 2010 Future Conditions (AM)

Intersection	Corner Location	2010 Future without the Proposed Action					2010 Future with the Proposed Action					2010 Future with the Proposed Action (Improvement)				
		Sidewalk Width for No Build Condition		Pedestrian Flow Rate (s.f./ped.)	Level of Service		Sidewalk Width for Build Condition		Pedestrian an Green	Pedestrian Flow Rate (s.f./ped.)	Level of Service	Impact?	Proposed Sidewalk Width Improvement	Signal Timing	Pedestrian Flow Rate (s.f./ped.)	Level of Service
<b>Eighth Ave @ 39th St</b>	NORTHEAST	1	15	5	15	20	D							20	D	
	SOUTHEAST	2	15	6	15	29	C							28	C	
	SOUTHWEST	3	12	7	12	32	C							31	C	
	NORTHWEST	4	12	8	12	26	C							25	C	
<b>Eighth Ave @ 42nd St</b>	NORTHEAST	1	15	5	12	50	B							46	B	
	SOUTHEAST	2	16	6	29	9	E	Yes						7	E	Yes
	SOUTHWEST	3	23	7	34	64	B							59	B	
	NORTHWEST	4	16	8	20	26	C							23	D	
<b>Seventh Ave @ 31st St</b>	NORTHEAST	1	23	5	20	42	B							42	B	
	SOUTHEAST	2	23	6	20	56	B							56	B	
	SOUTHWEST	3	13	7	13	50	B							50	B	
	NORTHWEST	4	13	8	18	62	B							62	B	
<b>Seventh Ave @ 33rd St</b>	NORTHEAST	1	20	5	20	27	C							27	C	
	SOUTHEAST	2	20	6	40	20	D							20	D	
	SOUTHWEST	3	13	7	40	204	A							200	A	
	NORTHWEST	4	13	8	15	32	C							31	C	
<b>Seventh Ave @ 34th St</b>	NORTHEAST	1	20	5	20	74	B							72	B	
	SOUTHEAST	2	20	6	20	66	B							65	B	
	SOUTHWEST	3	23	7	23	35	C							35	C	
	NORTHWEST	4	23	8	23	39	C							39	C	
<b>Sixth Ave @ 33rd St</b>	NORTHEAST	1	34	5	27	81	B							80	B	
	SOUTHEAST	2	28	6	24	70	B							70	B	
	SOUTHWEST	3	13	7	13	40	B							39	C	
	NORTHWEST	4	13	8	13	80	B							80	B	
<b>Sixth Ave @ 34th St</b>	NORTHEAST	1		5	17	45	B							44	B	
	SOUTHEAST	2	17	6		49	B							48	B	
	SOUTHWEST	3	23	7		N/A	N/A							N/A	N/A	
	NORTHWEST	4	23	8		N/A	N/A							N/A	N/A	
<b>Broadway @ 34th St</b>	NORTHEAST	1	30	5		N/A	N/A							N/A	N/A	
	SOUTHEAST	2		6	30	N/A	N/A							N/A	N/A	
	SOUTHWEST	3		7	23	77	B							76	B	
	NORTHWEST	4		8	23	53	B							52	B	
<b>Blvd @ 33rd St</b>	NORTHEAST					N/A	N/A							219	A	
	SOUTHEAST					N/A	N/A							N/A	N/A	
	SOUTHWEST					N/A	N/A							N/A	N/A	
	NORTHWEST					N/A	N/A							131	A	
<b>Blvd @ 34th St</b>	NORTHEAST					N/A	N/A							116	B	
	SOUTHEAST					N/A	N/A							73	B	
	SOUTHWEST					N/A	N/A							49	B	
	NORTHWEST					N/A	N/A							154	A	

## Appendix S.5.4

### Pedestrian Improvement Analysis - Corner Level of Service

#### 2010 Future Conditions (MD)

Intersection	Corner Location	2010 Future without the Proposed Action				2010 Future with the Proposed Action					2010 Future with the Proposed Action (Improvement)										
		Sidewalk Width for No Build Condition		Pedestrian Flow Rate (s.f./ped.)	Level of Service	Sidewalk Width for Build Condition		Pedestrian an Green	Pedestrian Flow Rate (s.f./ped.)	Level of Service	Impact?	Proposed Sidewalk Width Improvement	Signal Timing	Pedestrian Flow Rate (s.f./ped.)	Level of Service	Still Impact?					
<b>Twelfth Ave @ 30th St</b>	NORTHEAST	1	5	15	7991	A	1	5	15	24	7991	A		1	5		7991	A			
	SOUTHEAST	2	11	6	7128	A	2	11	6	70	7128	A		2	6	69	7128	A			
	SOUTHWEST	3	13	7	N/A	N/A	3	13	7	24	N/A	N/A		3	7		N/A	N/A			
	NORTHWEST	4	13	8	N/A	N/A	4	13	8	70	N/A	N/A		4	8	69	N/A	N/A			
<b>Twelfth Ave @ 34th St</b>	NORTHEAST	1	5	12	2311	A	1	5	12	29	1889	A		1	5		2080	A			
	SOUTHEAST	2	12	6	338	A	2	12	6	60	321	A		2	6		327	A			
	SOUTHWEST	3	18	7	N/A	N/A	3	18	7	29	N/A	N/A		3	7		N/A	N/A			
	NORTHWEST	4	18	8	N/A	N/A	4	18	8	60	N/A	N/A		4	8		N/A	N/A			
<b>Twelfth Ave @ 39th St</b>	NORTHEAST	1	5	18	3442	A	1	5	18	30	N/A	N/A		1	5		N/A	N/A			
	SOUTHEAST	2	13	6	605	A	2	13	6	49	N/A	N/A		2	6	67	N/A	N/A			
	SOUTHWEST	3	13	7	N/A	N/A	3	7		30	N/A	N/A		3	7		N/A	N/A			
	NORTHWEST	4	13	8	N/A	N/A	4	8		49	N/A	N/A		4	8	67	N/A	N/A			
<b>Twelfth Ave @ 40th St</b>	NORTHEAST	1	5	14	4195	A	1	5	14	0	N/A	N/A		1	5		N/A	N/A			
	SOUTHEAST	2	13	6	4702	A	2	13	6	63	N/A	N/A		2	6		N/A	N/A			
	SOUTHWEST	3	11	7	N/A	N/A	3	7		0	N/A	N/A		3	7		N/A	N/A			
	NORTHWEST	4	12	8	N/A	N/A	4	8		63	N/A	N/A		4	8		N/A	N/A			
<b>Twelfth Ave @ 42nd St</b>	NORTHEAST	1	5	20	396	A	1	5	20	33	374	A		1	5		374	A			
	SOUTHEAST	2	20	6	943	A	2	20	6	45	919	A		2	6		919	A			
	SOUTHWEST	3	15	7	N/A	N/A	3	15	7	33	N/A	N/A		3	7		N/A	N/A			
	NORTHWEST	4	26	8	N/A	N/A	4	26	8	45	N/A	N/A		4	8		N/A	N/A			
<b>Eleventh Ave @ 29th St</b>	NORTHEAST	1	15	5	15	367	A	1	15	5	15	40	192	A		1	5		192	A	
	SOUTHEAST	2	15	6	15	358	A	2	15	6	15	40	248	A		2	6		248	A	
	SOUTHWEST	3	13	7	13	860	A	3	13	7	13	40	531	A		3	7		531	A	
	NORTHWEST	4	13	8	13	858	A	4	13	8	13	40	427	A		4	8		427	A	
<b>Eleventh Ave @ 30th St</b>	NORTHEAST	1	15	5	15	183	A	1	15	5	15	40	114	B		1	5		114	B	
	SOUTHEAST	2	15	6	15	349	A	2	15	6	15	40	181	A		2	6		181	A	
	SOUTHWEST	3	13	7	13	413	A	3	13	7	13	40	208	A		3	7		208	A	
	NORTHWEST	4	13	8	13	210	A	4	13	8	13	40	136	A		4	8		136	A	
<b>Eleventh Ave @ 33rd St</b>	NORTHEAST	1	15	5	15	183	A	1	15	5	15	25	103	B		1	5		103	B	
	SOUTHEAST	2	15	6	15	968	A	2	15	6	15	55	206	A		2	6		206	A	
	SOUTHWEST	3	13	7	13	5496	A	3	13	7		25	N/A	N/A		3	7		N/A	N/A	
	NORTHWEST	4	13	8	13	4118	A	4	13	8		55	N/A	N/A		4	8		N/A	N/A	
<b>Eleventh Ave @ 34th St</b>	NORTHEAST	1	15	5	15	185	A	1	15	5	15	27	168	A		1	5	43	167	A	
	SOUTHEAST	2	12	6	15	226	A	2	17	6	15	53	101	B		2	6	37	100	B	
	SOUTHWEST	3	20	7	20	433	A	3	30	7	20	27	159	A		3	7	43	158	A	
	NORTHWEST	4	20	8	20	411	A	4	20	8	20	53	168	A		4	8	37	169	A	
<b>Eleventh Ave @ 35th St</b>	NORTHEAST	1	19	5	11	326	A	1	19	5	16	40	142	A		1	5		142	A	
	SOUTHEAST	2	15	6	15	229	A	2	15	6	15	40	180	A		2	6		180	A	
	SOUTHWEST	3	14	7		N/A	N/A	3	14	7		40	N/A	N/A		3	7		N/A	N/A	
	NORTHWEST	4	14	8		N/A	N/A	4	19	8		40	N/A	N/A		4	8		N/A	N/A	
<b>Eleventh Ave @ 36th St</b>	NORTHEAST	1	15	5	15	179	A	1	15	5	15	22	90	B		1	5		89	B	
	SOUTHEAST	2	9	6	17	209	A	2	9	6	17	22	78	B		2	6		78	B	
	SOUTHWEST	3	13	7		N/A	N/A	3	13	7		22	N/A	N/A		3	7		N/A	N/A	
	NORTHWEST	4	10	8		N/A	N/A	4	10	8		22	N/A	N/A		4	8		N/A	N/A	

## Appendix S.5.4

### Pedestrian Improvement Analysis - Corner Level of Service

#### 2010 Future Conditions (MD)

Intersection	Corner Location	2010 Future without the Proposed Action					2010 Future with the Proposed Action					2010 Future with the Proposed Action (Improvement)											
		Sidewalk Width for No Build Condition		Pedestrian Flow Rate (s.f./ped.)	Level of Service		Sidewalk Width for Build Condition		Pedestrian an Green	Pedestrian Flow Rate (s.f./ped.)	Level of Service	Impact?	Proposed Sidewalk Width Improvement	Signal Timing	Pedestrian Flow Rate (s.f./ped.)	Level of Service	Still Impact?						
Eleventh Ave @ 37th St	NORTHEAST	1	15	5	10	165	A		1	15	5	10	22	92	B		1	5			92	B	
	SOUTHEAST	2	10	6	15	142	A		2	10	6	15	58	83	B		2	6			83	B	
	SOUTHWEST	3	12	7		N/A	N/A		3	12	7		22	N/A	N/A		3	7			N/A	N/A	
	NORTHWEST	4	12	8		N/A	N/A		4	12	8		58	N/A	N/A		4	8			N/A	N/A	
Eleventh Ave @ 38th St	NORTHEAST	1	15	5	10	571	A		1	15	5	10	22	165	A		1	5			165	A	
	SOUTHEAST	2	10	6	15	1134	A		2	10	6	15	22	208	A		2	6			208	A	
	SOUTHWEST	3	11	7		N/A	N/A		3	11	7		22	N/A	N/A		3	7			N/A	N/A	
	NORTHWEST	4	11	8		N/A	N/A		4	11	8		22	N/A	N/A		4	8			N/A	N/A	
Eleventh Ave @ 39th St	NORTHEAST	1	14	5	10	875	A		1	14	5	10	31	383	A		1	5		43	384	A	
	SOUTHEAST	2	10	6	15	253	A		2	10	6	15	49	170	A		2	6		37	172	A	
	SOUTHWEST	3	12	7	13	492	A		3	12	7	13	31	N/A	N/A		3	7		43	N/A	N/A	
	NORTHWEST	4	11	8	15	1425	A		4	11	8	15	49	N/A	N/A		4	8		37	N/A	N/A	
Eleventh Ave @ 40th St	NORTHEAST	1	15	5	10	1666	A		1	15	5	10	22	286	A		1	5			286	A	
	SOUTHEAST	2	10	6	15	1400	A		2	10	6	15	22	720	A		2	6			720	A	
	SOUTHWEST	3	13	7	13	1733	A		3	13	7	13	22	N/A	N/A		3	7			N/A	N/A	
	NORTHWEST	4	13	8	13	1644	A		4	13	8	13	22	N/A	N/A		4	8			N/A	N/A	
Eleventh Ave @ 42nd St	NORTHEAST	1	16	5	16	206	A		1	16	5	16	33	123	B		1	5		34	123	B	
	SOUTHEAST	2	16	6	15	235	A		2	16	6	15	35	113	B		2	6		34	113	B	
	SOUTHWEST	3	15	7	16	245	A		3	15	7	16	33	117	B		3	7		34	117	B	
	NORTHWEST	4	15	8	16	234	A		4	15	8	16	35	119	B		4	8		34	119	B	
Tenth Ave @ 29th St	NORTHEAST	1	15	5	15	201	A		1	15	5	15	30	178	A		1	5			178	A	
	SOUTHEAST	2	15	6	15	173	A		2	15	6	15	50	156	A		2	6			156	A	
	SOUTHWEST	3	13	7	13	161	A		3	13	7	13	30	137	A		3	7			137	A	
	NORTHWEST	4	13	8	13	178	A		4	13	8	13	50	147	A		4	8			147	A	
Tenth Ave @ 30th St	NORTHEAST	1	16	5	15	124	B		1	16	5	15	30	101	B		1	5			101	B	
	SOUTHEAST	2	15	6	15	294	A		2	15	6	15	50	214	A		2	6			214	A	
	SOUTHWEST	3	13	7	14	254	A		3	13	7	14	30	164	A		3	7			164	A	
	NORTHWEST	4	15	8	14	136	A		4	15	8	14	50	100	B		4	8			100	B	
Tenth Ave @ 31st St	NORTHEAST	1	15	5	15	182	A		1	15	5	15	30	140	A		1	5			140	A	
	SOUTHEAST	2	15	6	15	292	A		2	15	6	15	50	210	A		2	6			210	A	
	SOUTHWEST	3	13	7		N/A	N/A		3	13	7		30	N/A	N/A		3	7			N/A	N/A	
	NORTHWEST	4	13	8		N/A	N/A		4	13	8		50	N/A	N/A		4	8			N/A	N/A	
Tenth Ave @ 33rd St	NORTHEAST	1	15	5	15	80	B		1	15	5	15	32	65	B		1	5			65	B	
	SOUTHEAST	2	15	6	15	91	B		2	15	6	15	48	73	B		2	6			73	B	
	SOUTHWEST	3	13	7	13	79	B		3	13	7	13	32	53	B		3	7			53	B	
	NORTHWEST	4	13	8	13	78	B		4	13	8	13	48	54	B		4	8			54	B	
Tenth Ave @ 34th St	NORTHEAST	1	15	5	15	180	A		1	15	5	15	30	92	B		1	5		33	92	B	
	SOUTHEAST	2	15	6	15	149	A		2	15	6	15	50	79	B		2	6		47	80	B	
	SOUTHWEST	3	20	7	20	172	A		3	20	7	20	30	74	B		3	7		33	74	B	
	NORTHWEST	4	20	8	20	165	A		4	20	8	20	50	73	B		4	8		47	73	B	
Tenth Ave @ 35th St	NORTHEAST	1	16	5	15	281	A		1	16	5	15	30	167	A		1	5			167	A	
	SOUTHEAST	2	15	6	15	214	A		2	15	6	15	50	43	B		2	6			43	B	
	SOUTHWEST	3	15	7	13	248	A		3	15	7	13	30	46	B		3	7			46	B	
	NORTHWEST	4	9	8	14	218	A		4	9	8	14	50	80	B		4	8			80	B	

## Appendix S.5.4

### Pedestrian Improvement Analysis - Corner Level of Service

#### 2010 Future Conditions (MD)

Intersection	Corner Location	2010 Future without the Proposed Action					2010 Future with the Proposed Action					2010 Future with the Proposed Action (Improvement)									
		Sidewalk Width for No Build Condition		Pedestrian Flow Rate (s.f./ped.)	Level of Service		Sidewalk Width for Build Condition		Pedestrian an Green	Pedestrian Flow Rate (s.f./ped.)	Level of Service	Impact?	Proposed Sidewalk Width Improvement	Signal Timing	Pedestrian Flow Rate (s.f./ped.)	Level of Service	Still Impact?				
<b>Tenth Ave @ 36th St</b>	NORTHEAST	1	15	5	15	363	A	1	15	5	15	30	202	A		1	5		202	A	
	SOUTHEAST	2	16	6	15	429	A	2	16	6	15	50	207	A		2	6		207	A	
	SOUTHWEST	3	12	7	12	336	A	3	12	7	12	30	89	B		3	7		89	B	
	NORTHWEST	4	12	8	12	247	A	4	12	8	12	50	79	B		4	8		79	B	
<b>Tenth Ave @ 37th St</b>	NORTHEAST	1	15	5	15	266	A	1	15	5	15	32	139	A		1	5		139	A	
	SOUTHEAST	2	15	6	15	312	A	2	15	6	15	48	164	A		2	6		164	A	
	SOUTHWEST	3	12	7	12	341	A	3	12	7	12	32	95	B		3	7		95	B	
	NORTHWEST	4	12	8	12	274	A	4	12	8	12	48	86	B		4	8		86	B	
<b>Tenth Ave @ 38th St</b>	NORTHEAST	1	15	5	15	321	A	1	15	5	15	30	154	A		1	5		154	A	
	SOUTHEAST	2	15	6	15	382	A	2	15	6	15	50	178	A		2	6		178	A	
	SOUTHWEST	3	12	7	12	435	A	3	12	7	12	30	138	A		3	7		138	A	
	NORTHWEST	4	12	8	12	373	A	4	12	8	12	50	129	B		4	8		129	B	
<b>Tenth Ave @ 39th St</b>	NORTHEAST	1	15	5	15	268	A	1	15	5	15	35	136	A		1	5		136	A	
	SOUTHEAST	2	15	6	15	288	A	2	15	6	15	45	143	A		2	6		143	A	
	SOUTHWEST	3	12	7	13	355	A	3	12	7	13	35	194	A		3	7		194	A	
	NORTHWEST	4	12	8	10	227	A	4	12	8	10	45	128	B		4	8		128	B	
<b>Tenth Ave @ 40th St</b>	NORTHEAST	1	15	5	15	329	A	1	15	5	15	36	142	A		1	5		142	A	
	SOUTHEAST	2	15	6	15	413	A	2	15	6	15	44	189	A		2	6		189	A	
	SOUTHWEST	3	12	7	13	451	A	3	12	7	13	36	326	A		3	7		326	A	
	NORTHWEST	4	12	8	13	300	A	4	12	8	13	44	205	A		4	8		205	A	
<b>Tenth Ave @ 41st St</b>	NORTHEAST	1	15	5	16	187	A	1	15	5	16	45	84	B		1	5		84	B	
	SOUTHEAST	2	16	6	10	415	A	2	16	6	10	35	201	A		2	6		201	A	
	SOUTHWEST	3	10	7	17	264	A	3	10	7	17	45	208	A		3	7		208	A	
	NORTHWEST	4	14	8	12	247	A	4	14	8	12	35	151	A		4	8		151	A	
<b>Tenth Ave @ 42nd St</b>	NORTHEAST	1	20	5	16	230	A	1	20	5	16	28	145	A		1	5		145	A	
	SOUTHEAST	2	22	6	16	197	A	2	22	6	16	52	90	B		2	6		90	B	
	SOUTHWEST	3	21	7	15	145	A	3	21	7	15	28	87	B		3	7		87	B	
	NORTHWEST	4	20	8	15	134	A	4	20	8	15	52	102	B		4	8		102	B	
<b>Dyer @ 42nd St</b>	NORTHEAST	1		5	6	N/A	N/A	1		5	6	34	N/A	N/A		1	5		N/A	N/A	
	SOUTHEAST	2		6	4	59	B	2		6	4	46	59	B		2	6		59	B	
	SOUTHWEST	3	21	7	20	134	A	3	21	7	20	34	134	A		3	7		134	A	
	NORTHWEST	4	20	8	21	N/A	N/A	4	20	8	21	46	N/A	N/A		4	8		N/A	N/A	
<b>Ninth Ave @ 30th St</b>	NORTHEAST	1	16	5	16	54	B	1	16	5	16	36	52	B		1	5		52	B	
	SOUTHEAST	2	15	6	16	79	B	2	15	6	16	44	76	B		2	6		76	B	
	SOUTHWEST	3	13	7	14	87	B	3	13	7	14	36	84	B		3	7		84	B	
	NORTHWEST	4	13	8	12	66	B	4	13	8	12	44	64	B		4	8		64	B	
<b>Ninth Ave @ 31st St</b>	NORTHEAST	1	15	5	15	18	D	1	15	5	15	30	17	D		1	5		17	D	
	SOUTHEAST	2	13	6	15	31	C	2	13	6	15	50	29	C		2	6		29	C	
	SOUTHWEST	3	13	7	13	56	B	3	13	7	13	30	52	B		3	7		52	B	
	NORTHWEST	4	13	8	13	51	B	4	13	8	13	50	47	B		4	8		47	B	
<b>Ninth Ave @ 33rd St</b>	NORTHEAST	1	15	5	15	23	D	1	15	5	15	30	21	D		1	5		21	D	
	SOUTHEAST	2	15	6	15	16	D	2	15	6	15	50	15	D		2	6		15	D	
	SOUTHWEST	3	13	7	13	27	C	3	13	7	13	30	25	C		3	7		25	C	
	NORTHWEST	4	13	8	13	44	B	4	13	8	13	50	40	B		4	8		40	B	

## Appendix S.5.4

### Pedestrian Improvement Analysis - Corner Level of Service

#### 2010 Future Conditions (MD)

Intersection	Corner Location	2010 Future without the Proposed Action				2010 Future with the Proposed Action					2010 Future with the Proposed Action (Improvement)										
		Sidewalk Width for No Build Condition		Pedestrian Flow Rate (s.f./ped.)	Level of Service	Sidewalk Width for Build Condition		Pedestrian an Green	Pedestrian Flow Rate (s.f./ped.)	Level of Service	Impact?	Proposed Sidewalk Width Improvement	Signal Timing	Pedestrian Flow Rate (s.f./ped.)	Level of Service	Still Impact?					
<b>Ninth Ave @ 34th St</b>	NORTHEAST	1	15	5	15	56	B	1	15	5	15	30	51	B		1	5	33	51	B	
	SOUTHEAST	2	15	6	15	50	B	2	15	6	15	35	43	B		2	6	32	43	B	
	SOUTHWEST	3	23	7	20	63	B	3	23	7	20	30	50	B		3	7	33	50	B	
	NORTHWEST	4	23	8	20	62	B	4	23	8	20	35	55	B		4	8	32	56	B	
<b>Ninth Ave @ 37th St</b>	NORTHEAST	1	15	5	15	76	B	1	15	5	15	30	64	B		1	5		64	B	
	SOUTHEAST	2	15	6	15	82	B	2	15	6	15	50	69	B		2	6		69	B	
	SOUTHWEST	3	12	7	12	79	B	3	12	7	12	30	68	B		3	7		68	B	
	NORTHWEST	4	12	8	12	56	B	4	12	8	12	50	49	B		4	8		49	B	
<b>Ninth Ave @ 38th St</b>	NORTHEAST	1	15	5	15	178	A	1	15	5	15	30	130	A		1	5	31	130	A	
	SOUTHEAST	2	15	6	15	166	A	2	15	6	15	50	115	B		2	6	49	115	B	
	SOUTHWEST	3	11	7	11	169	A	3	11	7	11	30	139	A		3	7	31	139	A	
	NORTHWEST	4	11	8	11	157	A	4	11	8	11	50	149	A		4	8	49	148	A	
<b>Ninth Ave @ 39th St</b>	NORTHEAST	1	15	5	15	101	B	1	15	5	15	30	89	B		1	5		89	B	
	SOUTHEAST	2	15	6	15	87	B	2	15	6	15	50	78	B		2	6		78	B	
	SOUTHWEST	3	12	7	12	160	A	3	12	7	12	30	152	A		3	7		152	A	
	NORTHWEST	4	12	8	12	197	A	4	12	8	12	50	177	A		4	8		177	A	
<b>Ninth Ave @ 42nd St</b>	NORTHEAST	1	16	5	14	13	E	1	16	5	14	29	9	E	Yes	1	5	28	9	E	Yes
	SOUTHEAST	2	10	6	15	57	B	2	10	6	15	35	40	B		2	6		40	B	
	SOUTHWEST	3	11	7	20	71	B	3	11	7	20	29	47	B		3	7	28	47	B	
	NORTHWEST	4	19	8	21	83	B	4	19	8	21	35	64	B		4	8		64	B	
<b>Eighth Ave @ 30th St</b>	NORTHEAST	1	14	5	15	83	B	1	14	5	15	40	81	B		1	5		81	B	
	SOUTHEAST	2	15	6	14	105	B	2	15	6	14	40	104	B		2	6		104	B	
	SOUTHWEST	3	13	7	14	104	B	3	13	7	14	40	103	B		3	7		103	B	
	NORTHWEST	4	14	8	13	91	B	4	14	8	13	40	90	B		4	8		90	B	
<b>Eighth Ave @ 31st St</b>	NORTHEAST	1	16	5	15	307	A	1	16	5	15	40	304	A		1	5		304	A	
	SOUTHEAST	2	24	6	15	63	B	2	24	6	15	40	62	B		2	6		62	B	
	SOUTHWEST	3	49	7	13	46	B	3	49	7	13	40	46	B		3	7		46	B	
	NORTHWEST	4	14	8	24	72	B	4	14	8	24	40	71	B		4	8		71	B	
<b>Eighth Ave @ 33rd St</b>	NORTHEAST	1	15	5	43	41	B	1	15	5	43	47	41	B		1	5		41	B	
	SOUTHEAST	2	19	6	16	224	A	2	19	6	16	33	222	A		2	6		222	A	
	SOUTHWEST	3	17	7	24	27	C	3	17	7	24	47	27	C		3	7		27	C	
	NORTHWEST	4	43	8	14	16	D	4	43	8	14	33	16	D		4	8		16	D	
<b>Eighth Ave @ 34th St</b>	NORTHEAST	1	15	5	15	44	B	1	15	5	15	40	42	B		1	5	30	39	C	
	SOUTHEAST	2	15	6	15	54	B	2	15	6	15	40	51	B		2	6	34	48	B	
	SOUTHWEST	3	22	7	22	42	B	3	22	7	22	40	41	B		3	7	30	38	C	
	NORTHWEST	4	22	8	22	34	C	4	22	8	22	40	33	C		4	8	34	30	C	
<b>Eighth Ave @ 37th St</b>	NORTHEAST	1	15	5	15	34	C	1	15	5	15	40	33	C		1	5		33	C	
	SOUTHEAST	2	15	6	15	32	C	2	15	6	15	40	31	C		2	6		31	C	
	SOUTHWEST	3	12	7	12	25	C	3	12	7	12	40	24	C		3	7		24	C	
	NORTHWEST	4	12	8	13	31	C	4	12	8	13	40	30	C		4	8		30	C	
<b>Eighth Ave @ 38th St</b>	NORTHEAST	1	15	5	15	50	B	1	15	5	15	40	48	B		1	5		48	B	
	SOUTHEAST	2	15	6	15	42	B	2	15	6	15	40	41	B		2	6		41	B	
	SOUTHWEST	3	12	7	11	49	B	3	12	7	11	40	47	B		3	7		47	B	
	NORTHWEST	4	12	8	11	45	B	4	12	8	11	40	43	B		4	8		43	B	

## Appendix S.5.4

### Pedestrian Improvement Analysis - Corner Level of Service

#### 2010 Future Conditions (MD)

Intersection	Corner Location	2010 Future without the Proposed Action					2010 Future with the Proposed Action					2010 Future with the Proposed Action (Improvement)											
		Sidewalk Width for No Build Condition		Pedestrian Flow Rate (s.f./ped.)	Level of Service		Sidewalk Width for Build Condition		Pedestrian an Green	Pedestrian Flow Rate (s.f./ped.)	Level of Service	Impact?	Proposed Sidewalk Width Improvement	Signal Timing	Pedestrian Flow Rate (s.f./ped.)	Level of Service	Still Impact?						
<b>Eighth Ave @ 39th St</b>	NORTHEAST	1	15	5	15	29	C		1	15	5	15	40	27	C		1	5			27	C	
	SOUTHEAST	2	15	6	15	10	E		2	15	6	15	40	9	E	Yes	2	6			9	E	Yes
	SOUTHWEST	3	12	7	12	14	E		3	12	7	12	40	14	E		3	7			14	E	
	NORTHWEST	4	12	8	12	24	C		4	12	8	12	40	22	D		4	8			22	D	
<b>Eighth Ave @ 42nd St</b>	NORTHEAST	1	15	5	12	42	B		1	15	5	12	25	38	C		1	5			38	C	
	SOUTHEAST	2	16	6	29	8	E		2	16	6	29	35	6	E	Yes	2	6			6	E	Yes
	SOUTHWEST	3	23	7	34	128	B		3	23	7	34	25	115	B		3	7			115	B	
	NORTHWEST	4	16	8	20	38	C		4	16	8	20	35	34	C		4	8			34	C	
<b>Seventh Ave @ 31st St</b>	NORTHEAST	1	23	5	20	43	B		1	23	5	20	38	43	B		1	5			43	B	
	SOUTHEAST	2	23	6	20	52	B		2	23	6	20	42	51	B		2	6			51	B	
	SOUTHWEST	3	13	7	13	71	B		3	13	7	13	38	71	B		3	7			71	B	
	NORTHWEST	4	13	8	18	92	B		4	13	8	18	42	92	B		4	8			92	B	
<b>Seventh Ave @ 33rd St</b>	NORTHEAST	1	20	5	20	26	C		1	20	5	20	22	26	C		1	5			26	C	
	SOUTHEAST	2	20	6	40	21	D		2	20	6	40	58	21	D		2	6			21	D	
	SOUTHWEST	3	13	7	40	213	A		3	13	7	40	22	213	A		3	7			213	A	
	NORTHWEST	4	13	8	15	34	C		4	13	8	15	58	34	C		4	8			34	C	
<b>Seventh Ave @ 34th St</b>	NORTHEAST	1	20	5	20	46	B		1	20	5	20	35	45	B		1	5			45	B	
	SOUTHEAST	2	20	6	20	58	B		2	20	6	20	44	56	B		2	6			56	B	
	SOUTHWEST	3	23	7	23	60	B		3	23	7	23	35	58	B		3	7			58	B	
	NORTHWEST	4	23	8	23	42	B		4	23	8	23	44	41	B		4	8			41	B	
<b>Sixth Ave @ 33rd St</b>	NORTHEAST	1	34	5	27	54	B		1	34	5	27	27	54	B		1	5			54	B	
	SOUTHEAST	2	28	6	24	56	B		2	28	6	24	90	56	B		2	6			56	B	
	SOUTHWEST	3	13	7	13	35	C		3	13	7	13	27	35	C		3	7			35	C	
	NORTHWEST	4	13	8	13	58	B		4	13	8	13	39	58	B		4	8			58	B	
<b>Sixth Ave @ 34th St</b>	NORTHEAST	1		5	17	17	D		1		5	17	27	17	D		1	5			17	D	
	SOUTHEAST	2	17	6		19	D		2	17	6		53	19	D		2	6			19	D	
	SOUTHWEST	3	23	7		N/A	N/A		3	23	7		27	N/A	N/A		3	7			N/A	N/A	
	NORTHWEST	4	23	8		N/A	N/A		4	23	8		53	N/A	N/A		4	8			N/A	N/A	
<b>Broadway @ 34th St</b>	NORTHEAST	1	30	5		N/A	N/A		1	30	5		27	N/A	N/A		1	5			N/A	N/A	
	SOUTHEAST	2		6	30	N/A	N/A		2		6	30	53	N/A	N/A		2	6			N/A	N/A	
	SOUTHWEST	3		7	23	30	C		3		7	23	27	30	C		3	7			30	C	
	NORTHWEST	4		8	23	29	C		4		8	23	53	29	C		4	8			29	C	
<b>Blvd @ 33rd St</b>	NORTHEAST					N/A	N/A		1	10	5		30	86	B		1	5			86	B	
	SOUTHEAST					N/A	N/A		2	13	6		50	N/A	N/A		2	6			N/A	N/A	
	SOUTHWEST					N/A	N/A		3	13	7	13	30	N/A	N/A		3	7			N/A	N/A	
	NORTHWEST					N/A	N/A		4	13	8	13	50	49	B		4	8			49	B	
<b>Blvd @ 34th St</b>	NORTHEAST					N/A	N/A		1	18	5	13	30	66	B		1	5			66	B	
	SOUTHEAST					N/A	N/A		2	13	6	13	50	119	B		2	6			119	B	
	SOUTHWEST					N/A	N/A		3	20	7	20	30	84	B		3	7			84	B	
	NORTHWEST					N/A	N/A		4	20	8	30	50	134	A		4	8			134	A	



## Appendix S.5.4

### Pedestrian Improvement Analysis - Corner Level of Service

#### 2010 Future Conditions (PM)

Intersection	Corner Location	2010 Future without the Proposed Action				2010 Future with the Proposed Action					2010 Future with the Proposed Action (Improvement)									
		Sidewalk Width for No Build Condition		Pedestrian Flow Rate (s.f./ped.)	Level of Service	Sidewalk Width for Build Condition		Pedestrian an Green	Pedestrian Flow Rate (s.f./ped.)	Level of Service	Impact?	Proposed Sidewalk Width Improvement	Signal Timing	Pedestrian Flow Rate (s.f./ped.)	Level of Service	Still Impact?				
<b>Twelfth Ave @ 30th St</b>	NORTHEAST	1	5	15	2995	A	1	5	15	18	2662	A		1	5		2661	A		
	SOUTHEAST	2	11	6	5092	A	2	11	6	78	3955	A		2	6	77	3955	A		
	SOUTHWEST	3	13	7	N/A	N/A	3	13	7	18	N/A	N/A		3	7		N/A	N/A		
	NORTHWEST	4	13	8	N/A	N/A	4	13	8	78	N/A	N/A		4	8	77	N/A	N/A		
<b>Twelfth Ave @ 34th St</b>	NORTHEAST	1	5	12	1734	A	1	5	12	29	1342	A		1	5		1342	A		
	SOUTHEAST	2	12	6	368	A	2	12	6	67	334	A		2	6		334	A		
	SOUTHWEST	3	18	7	N/A	N/A	3	18	7	29	N/A	N/A		3	7		N/A	N/A		
	NORTHWEST	4	18	8	N/A	N/A	4	18	8	67	N/A	N/A		4	8		N/A	N/A		
<b>Twelfth Ave @ 39th St</b>	NORTHEAST	1	5	18	6202	A	1	5	18	30	N/A	N/A		1	5		N/A	N/A		
	SOUTHEAST	2	13	6	669	A	2	13	6	53	N/A	N/A		2	6	68	N/A	N/A		
	SOUTHWEST	3	13	7	N/A	N/A	3	7		30	N/A	N/A		3	7		N/A	N/A		
	NORTHWEST	4	13	8	N/A	N/A	4	8		53	N/A	N/A		4	8	68	N/A	N/A		
<b>Twelfth Ave @ 40th St</b>	NORTHEAST	1	5	14	6298	A	1	5	14	0	N/A	N/A		1	5		N/A	N/A		
	SOUTHEAST	2	13	6	5478	A	2	13	6	66	N/A	N/A		2	6		N/A	N/A		
	SOUTHWEST	3	11	7	N/A	N/A	3	7		0	N/A	N/A		3	7		N/A	N/A		
	NORTHWEST	4	12	8	N/A	N/A	4	8		66	N/A	N/A		4	8		N/A	N/A		
<b>Twelfth Ave @ 42nd St</b>	NORTHEAST	1	5	20	402	A	1	5	20	33	409	A		1	5	31	408	A		
	SOUTHEAST	2	20	6	922	A	2	20	6	60	963	A		2	6	59	962	A		
	SOUTHWEST	3	15	7	N/A	N/A	3	15	7	33	N/A	N/A		3	7	31	N/A	N/A		
	NORTHWEST	4	26	8	N/A	N/A	4	26	8	60	N/A	N/A		4	8	59	N/A	N/A		
<b>Eleventh Ave @ 29th St</b>	NORTHEAST	1	15	5	903	A	1	15	5	15	40	184	A		1	5		184	A	
	SOUTHEAST	2	15	6	764	A	2	15	6	15	40	430	A		2	6		430	A	
	SOUTHWEST	3	13	7	1427	A	3	13	7	13	40	859	A		3	7		859	A	
	NORTHWEST	4	13	8	1561	A	4	13	8	13	40	368	A		4	8		368	A	
<b>Eleventh Ave @ 30th St</b>	NORTHEAST	1	15	5	641	A	1	15	5	15	40	222	A		1	5		222	A	
	SOUTHEAST	2	15	6	909	A	2	15	6	15	40	286	A		2	6		286	A	
	SOUTHWEST	3	13	7	1216	A	3	13	7	13	40	190	A		3	7		190	A	
	NORTHWEST	4	13	8	728	A	4	13	8	13	40	152	A		4	8		152	A	
<b>Eleventh Ave @ 33rd St</b>	NORTHEAST	1	15	5	513	A	1	15	5	15	25	168	A		1	5		168	A	
	SOUTHEAST	2	15	6	1266	A	2	15	6	15	55	230	A		2	6		230	A	
	SOUTHWEST	3	13	7	5492	A	3	13	7		25	N/A	N/A		3	7		N/A	N/A	
	NORTHWEST	4	13	8	5484	A	4	13	8		55	N/A	N/A		4	8		N/A	N/A	
<b>Eleventh Ave @ 34th St</b>	NORTHEAST	1	15	5	401	A	1	15	5	15	24	257	A		1	5	40	259	A	
	SOUTHEAST	2	12	6	504	A	2	17	6	15	56	106	B		2	6	40	109	B	
	SOUTHWEST	3	20	7	536	A	3	30	7	20	24	100	B		3	7	40	99	B	
	NORTHWEST	4	20	8	507	A	4	20	8	20	56	129	B		4	8	40	128	B	
<b>Eleventh Ave @ 35th St</b>	NORTHEAST	1	19	5	1246	A	1	19	5	16	40	317	A		1	5		317	A	
	SOUTHEAST	2	15	6	984	A	2	15	6	15	40	270	A		2	6		270	A	
	SOUTHWEST	3	14	7	N/A	N/A	3	14	7		40	N/A	N/A		3	7		N/A	N/A	
	NORTHWEST	4	14	8	N/A	N/A	4	19	8		40	N/A	N/A		4	8		N/A	N/A	
<b>Eleventh Ave @ 36th St</b>	NORTHEAST	1	15	5	668	A	1	15	5	15	22	218	A		1	5		218	A	
	SOUTHEAST	2	9	6	768	A	2	9	6	17	22	87	B		2	6		87	B	
	SOUTHWEST	3	13	7	N/A	N/A	3	13	7		22	N/A	N/A		3	7		N/A	N/A	
	NORTHWEST	4	10	8	N/A	N/A	4	10	8		22	N/A	N/A		4	8		N/A	N/A	

## Appendix S.5.4

### Pedestrian Improvement Analysis - Corner Level of Service

#### 2010 Future Conditions (PM)

Intersection	Corner Location	2010 Future without the Proposed Action					2010 Future with the Proposed Action					2010 Future with the Proposed Action (Improvement)													
		Sidewalk Width for No Build Condition		Pedestrian Flow Rate (s.f./ped.)	Level of Service		Sidewalk Width for Build Condition		Pedestrian an Green	Pedestrian Flow Rate (s.f./ped.)	Level of Service	Impact?	Proposed Sidewalk Width Improvement	Signal Timing	Pedestrian Flow Rate (s.f./ped.)	Level of Service	Still Impact?								
<b>Eleventh Ave @ 37th St</b>	NORTHEAST	1	15	5	10	534	A			1	15	5	10	22	176	A			1	5		24	176	A	
	SOUTHEAST	2	10	6	15	666	A			2	10	6	15	58	190	A			2	6		56	190	A	
	SOUTHWEST	3	12	7		N/A	N/A			3	12	7		22	N/A	N/A			3	7		24	N/A	N/A	
	NORTHWEST	4	12	8		N/A	N/A			4	12	8		58	N/A	N/A			4	8		56	N/A	N/A	
<b>Eleventh Ave @ 38th St</b>	NORTHEAST	1	15	5	10	3450	A			1	15	5	10	22	435	A			1	5			435	A	
	SOUTHEAST	2	10	6	15	1361	A			2	10	6	15	22	335	A			2	6			335	A	
	SOUTHWEST	3	11	7		N/A	N/A			3	11	7		22	N/A	N/A			3	7			N/A	N/A	
	NORTHWEST	4	11	8		N/A	N/A			4	11	8		22	N/A	N/A			4	8			N/A	N/A	
<b>Eleventh Ave @ 39th St</b>	NORTHEAST	1	14	5	10	2113	A			1	14	5	10	31	994	A			1	5			994	A	
	SOUTHEAST	2	10	6	15	295	A			2	10	6	15	49	227	A			2	6			227	A	
	SOUTHWEST	3	12	7	13	616	A			3	12	7	13	31	N/A	N/A			3	7			N/A	N/A	
	NORTHWEST	4	11	8	15	3658	A			4	11	8	15	49	N/A	N/A			4	8			N/A	N/A	
<b>Eleventh Ave @ 40th St</b>	NORTHEAST	1	15	5	10	4588	A			1	15	5	10	22	420	A			1	5			420	A	
	SOUTHEAST	2	10	6	15	902	A			2	10	6	15	22	748	A			2	6			748	A	
	SOUTHWEST	3	13	7	13	906	A			3	13	7	13	22	N/A	N/A			3	7			N/A	N/A	
	NORTHWEST	4	13	8	13	1646	A			4	13	8	13	22	N/A	N/A			4	8			N/A	N/A	
<b>Eleventh Ave @ 42nd St</b>	NORTHEAST	1	16	5	16	205	A			1	16	5	16	33	131	A			1	5		26	128	B	
	SOUTHEAST	2	16	6	15	232	A			2	16	6	15	35	122	B			2	6		29	119	B	
	SOUTHWEST	3	15	7	16	208	A			3	15	7	16	33	118	B			3	7		26	116	B	
	NORTHWEST	4	15	8	16	204	A			4	15	8	16	35	131	A			4	8		29	128	B	
<b>Tenth Ave @ 29th St</b>	NORTHEAST	1	15	5	15	373	A			1	15	5	15	30	360	A			1	5			360	A	
	SOUTHEAST	2	15	6	15	307	A			2	15	6	15	50	301	A			2	6			301	A	
	SOUTHWEST	3	13	7	13	225	A			3	13	7	13	30	199	A			3	7			199	A	
	NORTHWEST	4	13	8	13	248	A			4	13	8	13	50	215	A			4	8			215	A	
<b>Tenth Ave @ 30th St</b>	NORTHEAST	1	16	5	15	361	A			1	16	5	15	30	270	A			1	5			270	A	
	SOUTHEAST	2	15	6	15	551	A			2	15	6	15	50	447	A			2	6			447	A	
	SOUTHWEST	3	13	7	14	387	A			3	13	7	14	30	315	A			3	7			315	A	
	NORTHWEST	4	15	8	14	312	A			4	15	8	14	50	215	A			4	8			215	A	
<b>Tenth Ave @ 31st St</b>	NORTHEAST	1	15	5	15	505	A			1	15	5	15	30	317	A			1	5			317	A	
	SOUTHEAST	2	15	6	15	549	A			2	15	6	15	50	440	A			2	6			440	A	
	SOUTHWEST	3	13	7		N/A	N/A			3	13	7		30	N/A	N/A			3	7			N/A	N/A	
	NORTHWEST	4	13	8		N/A	N/A			4	13	8		50	N/A	N/A			4	8			N/A	N/A	
<b>Tenth Ave @ 33rd St</b>	NORTHEAST	1	15	5	15	353	A			1	15	5	15	32	138	A			1	5			138	A	
	SOUTHEAST	2	15	6	15	263	A			2	15	6	15	48	120	B			2	6			120	B	
	SOUTHWEST	3	13	7	13	253	A			3	13	7	13	32	99	B			3	7			99	B	
	NORTHWEST	4	13	8	13	353	A			4	13	8	13	48	132	A			4	8			132	A	
<b>Tenth Ave @ 34th St</b>	NORTHEAST	1	15	5	15	264	A			1	15	5	15	30	103	B			1	5		37	103	B	
	SOUTHEAST	2	15	6	15	206	A			2	15	6	15	50	86	B			2	6		43	87	B	
	SOUTHWEST	3	20	7	20	233	A			3	20	7	20	30	89	B			3	7		37	92	B	
	NORTHWEST	4	20	8	20	265	A			4	20	8	20	50	99	B			4	8		43	102	B	
<b>Tenth Ave @ 35th St</b>	NORTHEAST	1	16	5	15	376	A			1	16	5	15	30	209	A			1	5		35	209	A	
	SOUTHEAST	2	15	6	15	301	A			2	15	6	15	50	86	B			2	6		45	87	B	
	SOUTHWEST	3	15	7	13	398	A			3	15	7	13	30	113	B			3	7		35	114	B	
	NORTHWEST	4	9	8	14	373	A			4	9	8	14	50	169	A			4	8		45	170	A	

## Appendix S.5.4

### Pedestrian Improvement Analysis - Corner Level of Service

#### 2010 Future Conditions (PM)

Intersection	Corner Location	2010 Future without the Proposed Action					2010 Future with the Proposed Action					2010 Future with the Proposed Action (Improvement)											
		Sidewalk Width for No Build Condition		Pedestrian Flow Rate (s.f./ped.)	Level of Service		Sidewalk Width for Build Condition		Pedestrian an Green	Pedestrian Flow Rate (s.f./ped.)	Level of Service	Impact?	Proposed Sidewalk Width Improvement	Signal Timing	Pedestrian Flow Rate (s.f./ped.)	Level of Service	Still Impact?						
<b>Tenth Ave @ 36th St</b>	NORTHEAST	1	15	5	15	533	A		1	15	5	15	30	415	A		1	5			415	A	
	SOUTHEAST	2	16	6	15	269	A		2	16	6	15	50	234	A		2	6			234	A	
	SOUTHWEST	3	12	7	12	213	A		3	12	7	12	30	160	A		3	7			160	A	
	NORTHWEST	4	12	8	12	349	A		4	12	8	12	50	226	A		4	8			226	A	
<b>Tenth Ave @ 37th St</b>	NORTHEAST	1	15	5	15	430	A		1	15	5	15	32	273	A		1	5			273	A	
	SOUTHEAST	2	15	6	15	663	A		2	15	6	15	48	389	A		2	6			389	A	
	SOUTHWEST	3	12	7	12	625	A		3	12	7	12	32	334	A		3	7			334	A	
	NORTHWEST	4	12	8	12	518	A		4	12	8	12	48	282	A		4	8			282	A	
<b>Tenth Ave @ 38th St</b>	NORTHEAST	1	15	5	15	638	A		1	15	5	15	30	404	A		1	5			404	A	
	SOUTHEAST	2	15	6	15	611	A		2	15	6	15	50	397	A		2	6			397	A	
	SOUTHWEST	3	12	7	12	662	A		3	12	7	12	30	414	A		3	7			414	A	
	NORTHWEST	4	12	8	12	731	A		4	12	8	12	50	448	A		4	8			448	A	
<b>Tenth Ave @ 39th St</b>	NORTHEAST	1	15	5	15	469	A		1	15	5	15	35	303	A		1	5			303	A	
	SOUTHEAST	2	15	6	15	376	A		2	15	6	15	45	263	A		2	6			263	A	
	SOUTHWEST	3	12	7	13	436	A		3	12	7	13	35	338	A		3	7			338	A	
	NORTHWEST	4	12	8	10	373	A		4	12	8	10	45	279	A		4	8			279	A	
<b>Tenth Ave @ 40th St</b>	NORTHEAST	1	15	5	15	410	A		1	15	5	15	36	152	A		1	5			152	A	
	SOUTHEAST	2	15	6	15	667	A		2	15	6	15	44	264	A		2	6			264	A	
	SOUTHWEST	3	12	7	13	881	A		3	12	7	13	36	560	A		3	7			560	A	
	NORTHWEST	4	12	8	13	628	A		4	12	8	13	44	351	A		4	8			351	A	
<b>Tenth Ave @ 41st St</b>	NORTHEAST	1	15	5	16	229	A		1	15	5	16	45	87	B		1	5			87	B	
	SOUTHEAST	2	16	6	10	540	A		2	16	6	10	35	219	A		2	6			219	A	
	SOUTHWEST	3	10	7	17	558	A		3	10	7	17	45	388	A		3	7			388	A	
	NORTHWEST	4	14	8	12	336	A		4	14	8	12	35	224	A		4	8			224	A	
<b>Tenth Ave @ 42nd St</b>	NORTHEAST	1	20	5	16	210	A		1	20	5	16	28	165	A		1	5			38	167	A
	SOUTHEAST	2	22	6	16	165	A		2	22	6	16	52	106	B		2	6			42	109	B
	SOUTHWEST	3	21	7	15	182	A		3	21	7	15	28	116	B		3	7			38	118	B
	NORTHWEST	4	20	8	15	139	A		4	20	8	15	52	116	B		4	8			42	118	B
<b>Dyer @ 42nd St</b>	NORTHEAST	1		5	6	N/A	N/A		1		5	6	34	N/A	N/A		1	5			N/A	N/A	
	SOUTHEAST	2		6	4	30	C		2		6	4	46	25	C		2	6			25	C	
	SOUTHWEST	3	21	7	20	70	B		3	21	7	20	34	62	B		3	7			62	B	
	NORTHWEST	4	20	8	21	N/A	N/A		4	20	8	21	46	N/A	N/A		4	8			N/A	N/A	
<b>Ninth Ave @ 30th St</b>	NORTHEAST	1	16	5	16	143	A		1	16	5	16	36	132	A		1	5			132	A	
	SOUTHEAST	2	15	6	16	157	A		2	15	6	16	44	151	A		2	6			151	A	
	SOUTHWEST	3	13	7	14	179	A		3	13	7	14	36	170	A		3	7			170	A	
	NORTHWEST	4	13	8	12	194	A		4	13	8	12	44	175	A		4	8			175	A	
<b>Ninth Ave @ 31st St</b>	NORTHEAST	1	15	5	15	59	B		1	15	5	15	30	55	B		1	5			55	B	
	SOUTHEAST	2	13	6	15	75	B		2	13	6	15	50	72	B		2	6			72	B	
	SOUTHWEST	3	13	7	13	133	A		3	13	7	13	30	124	B		3	7			124	B	
	NORTHWEST	4	13	8	13	104	B		4	13	8	13	50	94	B		4	8			94	B	
<b>Ninth Ave @ 33rd St</b>	NORTHEAST	1	15	5	15	46	B		1	15	5	15	30	33	C		1	5			33	C	
	SOUTHEAST	2	15	6	15	30	C		2	15	6	15	50	23	D		2	6			23	D	
	SOUTHWEST	3	13	7	13	41	B		3	13	7	13	30	30	C		3	7			30	C	
	NORTHWEST	4	13	8	13	71	B		4	13	8	13	50	52	B		4	8			52	B	

## Appendix S.5.4

### Pedestrian Improvement Analysis - Corner Level of Service

#### 2010 Future Conditions (PM)

Intersection	Corner Location	2010 Future without the Proposed Action				2010 Future with the Proposed Action					2010 Future with the Proposed Action (Improvement)											
		Sidewalk Width for No Build Condition		Pedestrian Flow Rate (s.f./ped.)	Level of Service	Sidewalk Width for Build Condition		Pedestrian an Green	Pedestrian Flow Rate (s.f./ped.)	Level of Service	Impact?	Proposed Sidewalk Width Improvement	Signal Timing	Pedestrian Flow Rate (s.f./ped.)	Level of Service	Still Impact?						
<b>Ninth Ave @ 34th St</b>	NORTHEAST	1	15	5	15	45	B	1	15	5	15	30	39	C		1	5		39	C		
	SOUTHEAST	2	15	6	15	57	B	2	15	6	15	35	47	B		2	6		47	B		
	SOUTHWEST	3	23	7	20	48	B	3	23	7	20	30	35	C		3	7		35	C		
	NORTHWEST	4	23	8	20	35	C	4	23	8	20	35	29	C		4	8		29	C		
<b>Ninth Ave @ 37th St</b>	NORTHEAST	1	15	5	15	71	B	1	15	5	15	30	67	B		1	5		67	B		
	SOUTHEAST	2	15	6	15	74	B	2	15	6	15	50	70	B		2	6		70	B		
	SOUTHWEST	3	12	7	12	76	B	3	12	7	12	30	73	B		3	7		73	B		
	NORTHWEST	4	12	8	12	53	B	4	12	8	12	50	51	B		4	8		51	B		
<b>Ninth Ave @ 38th St</b>	NORTHEAST	1	15	5	15	105	B	1	15	5	15	30	92	B		1	5		92	B		
	SOUTHEAST	2	15	6	15	111	B	2	15	6	15	50	92	B		2	6		92	B		
	SOUTHWEST	3	11	7	11	205	A	3	11	7	11	30	168	A		3	7		168	A		
	NORTHWEST	4	11	8	11	185	A	4	11	8	11	50	168	A		4	8		168	A		
<b>Ninth Ave @ 39th St</b>	NORTHEAST	1	15	5	15	68	B	1	15	5	15	30	65	B		1	5		65	B		
	SOUTHEAST	2	15	6	15	65	B	2	15	6	15	50	63	B		2	6		63	B		
	SOUTHWEST	3	12	7	12	123	B	3	12	7	12	30	122	B		3	7		122	B		
	NORTHWEST	4	12	8	12	124	B	4	12	8	12	50	121	B		4	8		121	B		
<b>Ninth Ave @ 42nd St</b>	NORTHEAST	1	16	5	14	7	E	1	16	5	14	29	3	F	Yes	1	5		3	F	Yes	
	SOUTHEAST	2	10	6	15	54	B	2	10	6	15	35	37	C		2	6		37	C		
	SOUTHWEST	3	11	7	20	63	B	3	11	7	20	29	36	C		3	7		36	C		
	NORTHWEST	4	19	8	21	57	B	4	19	8	21	35	42	B		4	8		42	B		
<b>Eighth Ave @ 30th St</b>	NORTHEAST	1	14	5	15	71	B	1	14	5	15	38	69	B		1	5		69	B		
	SOUTHEAST	2	15	6	14	98	B	2	15	6	14	42	95	B		2	6		95	B		
	SOUTHWEST	3	13	7	14	128	B	3	13	7	14	38	123	B		3	7		123	B		
	NORTHWEST	4	14	8	13	104	B	4	14	8	13	42	99	B		4	8		99	B		
<b>Eighth Ave @ 31st St</b>	NORTHEAST	1	16	5	15	396	A	1	16	5	15	40	385	A		1	5		385	A		
	SOUTHEAST	2	24	6	15	75	B	2	24	6	15	40	72	B		2	6		72	B		
	SOUTHWEST	3	49	7	13	68	B	3	49	7	13	40	65	B		3	7		65	B		
	NORTHWEST	4	14	8	24	108	B	4	14	8	24	40	104	B		4	8		104	B		
<b>Eighth Ave @ 33rd St</b>	NORTHEAST	1	15	5	43	34	C	1	15	5	43	47	31	C		1	5		31	C		
	SOUTHEAST	2	19	6	16	230	A	2	19	6	16	33	215	A		2	6		215	A		
	SOUTHWEST	3	17	7	24	28	C	3	17	7	24	47	27	C		3	7		27	C		
	NORTHWEST	4	43	8	14	13	E	4	43	8	14	33	13	E		4	8		13	E		
<b>Eighth Ave @ 34th St</b>	NORTHEAST	1	15	5	15	37	C	1	15	5	15	40	32	C		1	5		29	29	C	
	SOUTHEAST	2	15	6	15	54	B	2	15	6	15	40	45	B		2	6		34	43	B	
	SOUTHWEST	3	22	7	22	44	B	3	22	7	22	40	39	C		3	7		29	36	C	
	NORTHWEST	4	22	8	22	37	C	4	22	8	22	40	33	C		4	8		34	29	C	
<b>Eighth Ave @ 37th St</b>	NORTHEAST	1	15	5	15	32	C	1	15	5	15	36	31	C		1	5		31	C		
	SOUTHEAST	2	15	6	15	29	C	2	15	6	15	44	28	C		2	6		28	C		
	SOUTHWEST	3	12	7	12	25	C	3	12	7	12	36	24	C		3	7		24	C		
	NORTHWEST	4	12	8	13	37	C	4	12	8	13	44	36	C		4	8		36	C		
<b>Eighth Ave @ 38th St</b>	NORTHEAST	1	15	5	15	343	A	1	15	5	15	38	266	A		1	5		266	A		
	SOUTHEAST	2	15	6	15	196	A	2	15	6	15	42	166	A		2	6		166	A		
	SOUTHWEST	3	12	7	11	206	A	3	12	7	11	38	170	A		3	7		170	A		
	NORTHWEST	4	12	8	11	371	A	4	12	8	11	42	267	A		4	8		267	A		

## Appendix S.5.4

### Pedestrian Improvement Analysis - Corner Level of Service

#### 2010 Future Conditions (PM)

Intersection	Corner Location	2010 Future without the Proposed Action					2010 Future with the Proposed Action					2010 Future with the Proposed Action (Improvement)					
		Sidewalk Width for No Build Condition		Pedestrian Flow Rate (s.f./ped.)	Level of Service		Sidewalk Width for Build Condition		Pedestrian an Green	Pedestrian Flow Rate (s.f./ped.)	Level of Service	Impact?	Proposed Sidewalk Width Improvement	Signal Timing	Pedestrian Flow Rate (s.f./ped.)	Level of Service	Still Impact?
<b>Eighth Ave @ 39th St</b>	NORTHEAST	1	15	5	15	23	D							22	D		
	SOUTHEAST	2	15	6	15	18	D							18	D		
	SOUTHWEST	3	12	7	12	7	E							7	E		
	NORTHWEST	4	12	8	12	18	D							18	D		
<b>Eighth Ave @ 42nd St</b>	NORTHEAST	1	15	5	12	24	C							30	23	D	
	SOUTHEAST	2	16	6	29	-3	F	Yes						38	-2	F	
	SOUTHWEST	3	23	7	34	64	B							30	59	B	
	NORTHWEST	4	16	8	20	7	E	Yes						38	8	E	
<b>Seventh Ave @ 31st St</b>	NORTHEAST	1	23	5	20	32	C							32	31	C	
	SOUTHEAST	2	23	6	20	31	C							31	30	C	
	SOUTHWEST	3	13	7	13	30	C							30	52	C	
	NORTHWEST	4	13	8	18	52	B							52	26	B	
<b>Seventh Ave @ 33rd St</b>	NORTHEAST	1	20	5	20	19	D							19	20	D	
	SOUTHEAST	2	20	6	40	20	D							20	204	A	
	SOUTHWEST	3	13	7	40	206	A							22	26	C	
	NORTHWEST	4	13	8	15	27	C							58	19	D	
<b>Seventh Ave @ 34th St</b>	NORTHEAST	1	20	5	20	66	B							63	64	B	
	SOUTHEAST	2	20	6	20	67	B							44	70	B	
	SOUTHWEST	3	23	7	23	73	B							35	58	B	
	NORTHWEST	4	23	8	23	60	B							44	58	B	
<b>Sixth Ave @ 33rd St</b>	NORTHEAST	1	34	5	27	35	C							34	27	C	
	SOUTHEAST	2	28	6	24	26	C							90	26	C	
	SOUTHWEST	3	13	7	13	20	D							27	20	D	
	NORTHWEST	4	13	8	13	46	B							39	46	B	
<b>Sixth Ave @ 34th St</b>	NORTHEAST	1		5	17	20	D							27	19	D	
	SOUTHEAST	2	17	6		22	D							53	22	D	
	SOUTHWEST	3	23	7		N/A	N/A							27	N/A	N/A	
	NORTHWEST	4	23	8		N/A	N/A							53	N/A	N/A	
<b>Broadway @ 34th St</b>	NORTHEAST	1	30	5		N/A	N/A							27	N/A	N/A	
	SOUTHEAST	2		6	30	N/A	N/A							53	N/A	N/A	
	SOUTHWEST	3		7	23	29	C							27	28	C	
	NORTHWEST	4		8	23	31	C							53	31	C	
<b>Blvd @ 33rd St</b>	NORTHEAST	1		5		N/A	N/A							30	113	B	
	SOUTHEAST	2		6		N/A	N/A							50	N/A	N/A	
	SOUTHWEST	3		7		N/A	N/A							30	N/A	N/A	
	NORTHWEST	4		8		N/A	N/A							50	65	B	
<b>Blvd @ 34th St</b>	NORTHEAST	1		5		N/A	N/A							30	79	B	
	SOUTHEAST	2		6		N/A	N/A							50	62	B	
	SOUTHWEST	3		7		N/A	N/A							30	29	C	
	NORTHWEST	4		8		N/A	N/A							50	94	B	

## Appendix S.5.4

### Pedestrian Improvement Analysis - Corner Level of Service

#### 2010 Future Conditions (EVE)

Intersection	Corner Location	2010 Future without the Proposed Action				2010 Future with the Proposed Action					2010 Future with the Proposed Action (Improvement)															
		Sidewalk Width for No Build Condition		Pedestrian Flow Rate (s.f./ped.)	Level of Service	Sidewalk Width for Build Condition	Pedestrian Green	Pedestrian Flow Rate (s.f./ped.)	Level of Service	Impact?	Proposed Sidewalk Width Improvement	Signal Timing	Pedestrian Flow Rate (s.f./ped.)	Level of Service	Still Impact?											
Twelfth Ave @ 30th St	NORTHEAST	1	15	5	15	2665	A			1	15	5	15	24	2665	A			1	5			8715	A		
	SOUTHEAST	2	11	6	15	7116	A			2	11	6	15	70	7116	A			2	6			5083	A		
	SOUTHWEST	3	13	7		N/A	N/A			3	13	7		24	N/A	N/A			3	35	7		N/A	N/A		
	NORTHWEST	4	13	8		N/A	N/A			4	13	8		70	N/A	N/A			4	8			N/A	N/A		
Twelfth Ave @ 34th St	NORTHEAST	1	15	5	12	5942	A			1	15	5	12	29	50	B			1	5			50	B		
	SOUTHEAST	2	12	6	15	8306	A			2	12	6	15	60	25	C			2	6			68	B		
	SOUTHWEST	3	18	7		N/A	N/A			3	18	7		29	N/A	N/A			3	7			N/A	N/A		
	NORTHWEST	4	18	8		N/A	N/A			4	18	8		60	N/A	N/A			4	8			N/A	N/A		
Eleventh Ave @ 30th St	NORTHEAST	1	15	5	15	3660	A			1	15	5	15	40	22	D			1	5			59	B		
	SOUTHEAST	2	15	6	15	4706	A			2	15	6	15	40	281	A			2	6			281	A		
	SOUTHWEST	3	13	7	13	5490	A			3	13	7	13	40	107	B			3	35	7		107	B		
	NORTHWEST	4	13	8	13	6588	A			4	13	8	13	40	32	C			4	8	35		68	B		
Eleventh Ave @ 33rd St	NORTHEAST	1	15	5	15	1569	A			1	15	5	15	25	18	D			1	5			40	B		
	SOUTHEAST	2	15	6	15	4114	A			2	15	6	15	55	-18	F	Yes		2	6			15	D		
	SOUTHWEST	3	13	7	13	6596	A			3	13	7	25	N/A	N/A			3	7			N/A	N/A			
	NORTHWEST	4	13	8	13	8231	A			4	13	8	55	N/A	N/A			4	35	8		N/A	N/A			
Eleventh Ave @ 34th St	NORTHEAST	1	15	5	15	1950	A			1	15	5	15	22	139	A			1	5			30	137	A	
	SOUTHEAST	2	12	6	15	1101	A			2	17	6	15	58	13	E	Yes		2	6			30	30	C	
	SOUTHWEST	3	20	7	20	2578	A			3	30	7	20	22	15	D			3	7			30	25	C	
	NORTHWEST	4	20	8	20	3230	A			4	20	8	20	58	47	B			4	8			30	36	C	
Eleventh Ave @ 39th St	NORTHEAST	1	14	5	10	3018	A			1	14	5	10	31	70	B			1	5			70	B		
	SOUTHEAST	2	10	6	15	1256	A			2	10	6	15	49	44	B			2	6			44	B		
	SOUTHWEST	3	12	7	13	1780	A			3	12	7	31	N/A	N/A			3	7			N/A	N/A			
	NORTHWEST	4	11	8	15	1546	A			4	11	8	49	N/A	N/A			4	8			N/A	N/A			
Eleventh Ave @ 42nd St	NORTHEAST	1	16	5	16	400	A			1	16	5	16	33	182	A			1	5			182	A		
	SOUTHEAST	2	16	6	15	463	A			2	16	6	15	35	199	A			2	6			199	A		
	SOUTHWEST	3	15	7	16	546	A			3	15	7	16	33	435	A			3	7			435	A		
	NORTHWEST	4	15	8	16	505	A			4	15	8	16	35	366	A			4	8			366	A		
Tenth Ave @ 30th St	NORTHEAST	1	16	5	15	1613	A			1	16	5	15	30	5	F	Yes		1	5			24	84	B	
	SOUTHEAST	2	15	6	15	1582	A			2	15	6	15	50	222	A			2	6			56	224	A	
	SOUTHWEST	3	13	7	14	1211	A			3	13	7	14	30	1083	A			3	7			24	1083	A	
	NORTHWEST	4	15	8	14	1355	A			4	15	8	14	50	13	E	Yes		4	8	36		56	90	B	
Tenth Ave @ 31st St	NORTHEAST	1	15	5	15	2429	A			1	15	5	15	30	-6	F	Yes		1	5			-3	F	Yes	
	SOUTHEAST	2	15	6	15	2107	A			2	15	6	15	50	30	C			2	6			30	14	E	Yes
	SOUTHWEST	3	13	7		N/A	N/A			3	13	7	30	N/A	N/A			3	7			N/A	N/A			
	NORTHWEST	4	13	8		N/A	N/A			4	13	8	50	N/A	N/A			4	8			30	N/A	N/A		
Tenth Ave @ 33rd St	NORTHEAST	1	15	5	15	891	A			1	15	5	15	32	20	D			1	5			41	B		
	SOUTHEAST	2	15	6	15	897	A			2	15	6	15	48	-2	F	Yes		2	6			4	F	Yes	
	SOUTHWEST	3	13	7	13	1360	A			3	13	7	13	32	14	E	Yes		3	7	35		26	C		
	NORTHWEST	4	13	8	13	1496	A			4	13	8	13	48	45	B			4	35	8		66	B		
Tenth Ave @ 34th St	NORTHEAST	1	15	5	15	733	A			1	15	5	15	30	119	B			1	5			156	A		
	SOUTHEAST	2	15	6	15	474	A			2	15	6	15	50	45	B			2	6			30	79	B	
	SOUTHWEST	3	20	7	20	647	A			3	20	7	20	30	69	B			3	7				105	B	
	NORTHWEST	4	20	8	20	1016	A			4	20	8	20	50	123	B			4	8			30	151	A	
Ninth Ave @ 30th St	NORTHEAST	1	16	5	16	453	A			1	16	5	16	36	58	B			1	5			338	A		
	SOUTHEAST	2	15	6	16	506	A			2	15	6	16	44	269	A			2	6			269	A		
	SOUTHWEST	3	13	7	14	650	A			3	13	7	14	36	195	A			3	7			195	A		
	NORTHWEST	4	13	8	12	653	A			4	13	8	12	44	74	B			4	8			371	A		

## Appendix S.5.4

### Pedestrian Improvement Analysis - Corner Level of Service

#### 2010 Future Conditions (EVE)

Intersection	Corner Location	2010 Future without the Proposed Action				2010 Future with the Proposed Action					2010 Future with the Proposed Action (Improvement)										
		Sidewalk Width for No Build Condition	Pedestrian Flow Rate (s.f./ped.)	Level of Service		Sidewalk Width for Build Condition	Pedestrian Green	Pedestrian Flow Rate (s.f./ped.)	Level of Service	Impact?	Proposed Sidewalk Width Improvement	Signal Timing	Pedestrian Flow Rate (s.f./ped.)	Level of Service	Still Impact?						
<b>Ninth Ave @ 31st St</b>	NORTHEAST	1	15	5	15	452	A	1	15	5	15	30	-10	F	Yes	1	5		8	E	Yes
	SOUTHEAST	2	13	6	15	403	A	2	13	6	15	50	11	E	Yes	2	6		281	A	
	SOUTHWEST	3	13	7	13	726	A	3	13	7	13	30	29	C		3	7		83	B	
	NORTHWEST	4	13	8	13	816	A	4	13	8	13	50	13	E	Yes	4	8		25	C	
<b>Ninth Ave @ 33rd St</b>	NORTHEAST	1	15	5	15	285	A	1	15	5	15	30	21	D		1	5		27	C	
	SOUTHEAST	2	15	6	15	236	A	2	15	6	15	50	-8	F	Yes	2	6		-3	F	Yes
	SOUTHWEST	3	13	7	13	396	A	3	13	7	13	30	13	E	Yes	3	7	35	21	D	
	NORTHWEST	4	13	8	13	667	A	4	13	8	13	50	40	B		4	35	8	42	B	
<b>Ninth Ave @ 34th St</b>	NORTHEAST	1	15	5	15	259	A	1	15	5	15	25	70	B		1	5		30	91	B
	SOUTHEAST	2	15	6	15	255	A	2	15	6	15	40	44	B		2	6		30	87	B
	SOUTHWEST	3	23	7	20	337	A	3	23	7	20	25	58	B		3	7		30	97	B
	NORTHWEST	4	23	8	20	333	A	4	23	8	20	40	73	B		4	8		30	91	B
<b>Eighth Ave @ 30th St</b>	NORTHEAST	1	14	5	15	201	A	1	14	5	15	38	112	B		1	5		39	179	A
	SOUTHEAST	2	15	6	14	297	A	2	15	6	14	42	297	A		2	6		41	297	A
	SOUTHWEST	3	13	7	14	265	A	3	13	7	14	38	265	A		3	7		39	265	A
	NORTHWEST	4	14	8	13	228	A	4	14	8	13	42	94	B		4	8		41	202	A
<b>Eighth Ave @ 31st St</b>	NORTHEAST	1	16	5	15	559	A	1	16	5	15	40	129	B		1	5			297	A
	SOUTHEAST	2	24	6	15	126	B	2	24	6	15	40	31	C		2	6			115	B
	SOUTHWEST	3	49	7	13	115	B	3	49	7	13	40	39	C		3	7			107	B
	NORTHWEST	4	14	8	24	241	A	4	14	8	24	40	43	B		4	8			105	B
<b>Eighth Ave @ 33rd St</b>	NORTHEAST	1	15	5	43	84	B	1	15	5	43	47	52	B		1	5		30	49	B
	SOUTHEAST	2	19	6	16	507	A	2	19	6	16	33	177	A		2	6		30	141	A
	SOUTHWEST	3	17	7	24	64	B	3	17	7	24	47	27	C		3	7	46	30	50	B
	NORTHWEST	4	43	8	14	39	C	4	43	8	14	33	26	C		4	8		30	24	C
<b>Eighth Ave @ 34th St</b>	NORTHEAST	1	15	5	15	26	C	1	15	5	15	40	23	D		1	5		30	23	D
	SOUTHEAST	2	15	6	15	19	D	2	15	6	15	40	12	E	Yes	2	6		30	12	E
	SOUTHWEST	3	22	7	22	25	C	3	22	7	22	40	20	D		3	7		30	20	D
	NORTHWEST	4	22	8	22	104	B	4	22	8	22	40	80	B		4	8		30	84	B
<b>Sixth Ave @ 34th St</b>	NORTHEAST	1		5	17	78	B	1		5	17	27	78	B		1	5			78	B
	SOUTHEAST	2	17	6		72	B	2	17	6		53	72	B		2	6			72	B
	SOUTHWEST	3	23	7		N/A	N/A	3	23	7		27	N/A	N/A		3	7			N/A	N/A
	NORTHWEST	4	23	8		N/A	N/A	4	23	8		53	N/A	N/A		4	8			N/A	N/A
<b>Broadway @ 34th St</b>	NORTHEAST	1	30	5		N/A	N/A	1	30	5		27	N/A	N/A		1	5			N/A	N/A
	SOUTHEAST	2		6	30	N/A	N/A	2		6	30	53	N/A	N/A		2	6			N/A	N/A
	SOUTHWEST	3		7	23	120	B	3		7	23	27	120	B		3	7			120	B
	NORTHWEST	4		8	23	131	A	4		8	23	53	129	B		4	8			130	A
<b>Blvd @ 33rd St</b>	NORTHEAST					N/A	N/A	1	10	5		45	17	D		1	5			37	C
	SOUTHEAST					N/A	N/A	2	13	6		45	N/A	N/A		2	6			N/A	N/A
	SOUTHWEST					N/A	N/A	3	13	7	13	45	N/A	N/A		3	7	35		N/A	N/A
	NORTHWEST					N/A	N/A	4	13	8	13	45	19	D		4	35	8		14	E
<b>Blvd @ 34th St</b>	NORTHEAST					N/A	N/A	1	18	5	13	30	165	A		1	5			215	A
	SOUTHEAST					N/A	N/A	2	13	6	13	32	72	B		2	6			130	A
	SOUTHWEST					N/A	N/A	3	20	7	20	30	95	B		3	7			144	A
	NORTHWEST					N/A	N/A	4	20	8	30	32	431	A		4	8			537	A

## Appendix S.5.4

### Pedestrian Improvement Analysis - Corner Level of Service

#### 2010 Future Conditions (SUN)

Intersection	Corner Location	2010 Future without the Proposed Action				2010 Future with the Proposed Action					2010 Future with the Proposed Action (Improvement)											
		Sidewalk Width for No Build Condition		Pedestrian Flow Rate (s.f./ped.)	Level of Service	Sidewalk Width for Build Condition	Pedestrian Green	Pedestrian Flow Rate (s.f./ped.)	Level of Service	Impact?	Proposed Sidewalk Width Improvement	Signal Timing	Pedestrian Flow Rate (s.f./ped.)	Level of Service	Still Impact?							
Twelfth Ave @ 30th St	NORTHEAST	1	15	5	15	3417	A		1	15	5	15	24	3417	A		1	5		1196	A	
	SOUTHEAST	2	11	6	15	4450	A		2	11	6	15	70	4450	A		2	6		4450	A	
	SOUTHWEST	3	13	7		N/A	N/A		3	13	7		24	N/A	N/A		3	35	7	N/A	N/A	
	NORTHWEST	4	13	8		N/A	N/A		4	13	8		70	N/A	N/A		4	8		N/A	N/A	
Twelfth Ave @ 34th St	NORTHEAST	1	15	5	12	4160	A		1	15	5	12	29	68	B		1	5		68	B	
	SOUTHEAST	2	12	6	15	304	A		2	12	6	15	60	-10	F	Yes	2	6		38	C	
	SOUTHWEST	3	18	7		N/A	N/A		3	18	7		29	N/A	N/A		3	7		N/A	N/A	
	NORTHWEST	4	18	8		N/A	N/A		4	18	8		60	N/A	N/A		4	8		N/A	N/A	
Eleventh Ave @ 30th St	NORTHEAST	1	15	5	15	680	A		1	15	5	15	40	26	C		1	5		59	B	
	SOUTHEAST	2	15	6	15	1262	A		2	15	6	15	40	117	B		2	6		28	C	
	SOUTHWEST	3	13	7	13	1641	A		3	13	7	13	40	35	C		3	35	7	35	C	
	NORTHWEST	4	13	8	13	859	A		4	13	8	13	40	1	F	Yes	4	8	35	43	B	
Eleventh Ave @ 33rd St	NORTHEAST	1	15	5	15	400	A		1	15	5	15	25	22	D		1	5		24	C	
	SOUTHEAST	2	15	6	15	1027	A		2	15	6	15	55	11	E	Yes	2	6		46	B	
	SOUTHWEST	3	13	7	13	6591	A		3	13	7	13	25	N/A	N/A		3	7		N/A	N/A	
	NORTHWEST	4	13	8	13	5486	A		4	13	8	13	55	N/A	N/A		4	35	8	N/A	N/A	
Eleventh Ave @ 34th St	NORTHEAST	1	15	5	15	255	A		1	15	5	15	22	62	B		1	5		30	62	B
	SOUTHEAST	2	12	6	15	346	A		2	17	6	15	58	19	D		2	6		30	13	E
	SOUTHWEST	3	20	7	20	364	A		3	30	7	20	22	3	F	Yes	3	7		30	1	F
	NORTHWEST	4	20	8	20	313	A		4	20	8	20	58	20	D		4	8		30	21	D
Eleventh Ave @ 39th St	NORTHEAST	1	14	5	10	1626	A		1	14	5	10	31	24	C		1	5		50	13	E
	SOUTHEAST	2	10	6	15	160	A		2	10	6	15	49	20	D		2	6		30	21	D
	SOUTHWEST	3	12	7	13	286	A		3	12	7	13	31	N/A	N/A		3	7		50	N/A	N/A
	NORTHWEST	4	11	8	15	1378	A		4	11	8	15	49	N/A	N/A		4	8		30	N/A	N/A
Eleventh Ave @ 42nd St	NORTHEAST	1	16	5	16	177	A		1	16	5	16	33	85	B		1	5		36	85	B
	SOUTHEAST	2	16	6	15	184	A		2	16	6	15	35	86	B		2	6		22	83	B
	SOUTHWEST	3	15	7	16	177	A		3	15	7	16	33	93	B		3	7		36	91	B
	NORTHWEST	4	15	8	16	197	A		4	15	8	16	35	90	B		4	8		22	90	B
Tenth Ave @ 30th St	NORTHEAST	1	16	5	15	265	A		1	16	5	15	30	19	D		1	5		28	40	B
	SOUTHEAST	2	15	6	15	470	A		2	15	6	15	50	162	A		2	6		52	227	A
	SOUTHWEST	3	13	7	14	338	A		3	13	7	14	30	176	A		3	7		28	175	A
	NORTHWEST	4	15	8	14	239	A		4	15	8	14	50	0	F	Yes	4	8	36	52	51	B
Tenth Ave @ 31st St	NORTHEAST	1	15	5	15	458	A		1	15	5	15	30	16	D		1	5		20	D	
	SOUTHEAST	2	15	6	15	554	A		2	15	6	15	50	43	B		2	6		30	18	D
	SOUTHWEST	3	13	7		N/A	N/A		3	13	7		30	N/A	N/A		3	7		N/A	N/A	
	NORTHWEST	4	13	8		N/A	N/A		4	13	8		50	N/A	N/A		4	8		30	N/A	N/A
Tenth Ave @ 33rd St	NORTHEAST	1	15	5	15	349	A		1	15	5	15	32	31	C		1	5		42	B	
	SOUTHEAST	2	15	6	15	272	A		2	15	6	15	48	19	D		2	6		21	D	
	SOUTHWEST	3	13	7	13	237	A		3	13	7	13	32	-2	F	Yes	3	7	35	5	F	Yes
	NORTHWEST	4	13	8	13	314	A		4	13	8	13	48	15	D		4	35	8	24	C	
Tenth Ave @ 34th St	NORTHEAST	1	15	5	15	344	A		1	15	5	15	30	109	B		1	5		43	130	A
	SOUTHEAST	2	15	6	15	371	A		2	15	6	15	50	63	B		2	6		37	99	B
	SOUTHWEST	3	20	7	20	415	A		3	20	7	20	30	52	B		3	7		43	89	B
	NORTHWEST	4	20	8	20	360	A		4	20	8	20	50	75	B		4	8		37	89	B
Ninth Ave @ 30th St	NORTHEAST	1	16	5	16	123	B		1	16	5	16	36	27	C		1	5		30	36	C
	SOUTHEAST	2	15	6	16	131	A		2	15	6	16	44	73	B		2	6		30	85	B
	SOUTHWEST	3	13	7	14	103	B		3	13	7	14	36	66	B		3	7		30	65	B
	NORTHWEST	4	13	8	12	133	A		4	13	8	12	44	15	D		4	8		30	25	C



## Appendix S.5.4

### Pedestrian Improvement Analysis - Corner Level of Service

#### 2010 Future Conditions (SUN)

Intersection	Corner Location	2010 Future without the Proposed Action				2010 Future with the Proposed Action					2010 Future with the Proposed Action (Improvement)													
		Sidewalk Width for No Build Condition	Pedestrian Flow Rate (s.f./ped.)	Level of Service		Sidewalk Width for Build Condition	Pedestrian Green	Pedestrian Flow Rate (s.f./ped.)	Level of Service	Impact?	Proposed Sidewalk Width Improvement	Signal Timing	Pedestrian Flow Rate (s.f./ped.)	Level of Service	Still Impact?									
<b>Ninth Ave @ 31st St</b>	NORTHEAST	1	15	5	15	49		B		1	15	5	15	30	8	E	Yes	1	5			17	D	
	SOUTHEAST	2	13	6	15	87		B		2	13	6	15	50	14	E	Yes	2	6			60	B	
	SOUTHWEST	3	13	7	13	233		A		3	13	7	13	30	6	E	Yes	3	7			46	B	
	NORTHWEST	4	13	8	13	143		A		4	13	8	13	50	-7	F	Yes	4	8			6	E	Yes
<b>Ninth Ave @ 33rd St</b>	NORTHEAST	1	15	5	15	69		B		1	15	5	15	30	25	C		1	5			28	C	
	SOUTHEAST	2	15	6	15	61		B		2	15	6	15	50	8	E	Yes	2	6			18	D	
	SOUTHWEST	3	13	7	13	110		B		3	13	7	13	30	-11	F	Yes	3	7	35		-4	F	Yes
	NORTHWEST	4	13	8	13	187		A		4	13	8	13	50	18	D		4	35	8		21	D	
<b>Ninth Ave @ 34th St</b>	NORTHEAST	1	15	5	15	116		B		1	15	5	15	25	75	B		1	5		30	85	B	
	SOUTHEAST	2	15	6	15	99		B		2	15	6	15	40	42	B		2	6		30	58	B	
	SOUTHWEST	3	23	7	20	183		A		3	23	7	20	25	38	C		3	7		30	78	B	
	NORTHWEST	4	23	8	20	189		A		4	23	8	20	40	77	B		4	8		30	103	B	
<b>Eighth Ave @ 30th St</b>	NORTHEAST	1	14	5	15	150		A		1	14	5	15	38	48	B		1	5			56	B	
	SOUTHEAST	2	15	6	14	202		A		2	15	6	14	42	94	B		2	6			78	B	
	SOUTHWEST	3	13	7	14	172		A		3	13	7	14	38	76	B		3	7			89	B	
	NORTHWEST	4	14	8	13	136		A		4	14	8	13	42	36	C		4	8			54	B	
<b>Eighth Ave @ 31st St</b>	NORTHEAST	1	16	5	15	535		A		1	16	5	15	40	123	B		1	5			235	A	
	SOUTHEAST	2	24	6	15	102		B		2	24	6	15	40	20	D		2	6			45	B	
	SOUTHWEST	3	49	7	13	109		B		3	49	7	13	40	19	D		3	7			61	B	
	NORTHWEST	4	14	8	24	173		A		4	14	8	24	40	27	C		4	8			67	B	
<b>Eighth Ave @ 33rd St</b>	NORTHEAST	1	15	5	43	74		B		1	15	5	43	40	45	B		1	5		30	43	B	
	SOUTHEAST	2	19	6	16	386		A		2	19	6	16	40	144	A		2	6		30	129	B	
	SOUTHWEST	3	17	7	24	68		B		3	17	7	24	40	16	D		3	7	46		30	32	C
	NORTHWEST	4	43	8	14	39		C		4	43	8	14	40	23	D		4	8		30	19	D	
<b>Eighth Ave @ 34th St</b>	NORTHEAST	1	15	5	15	74		B		1	15	5	15	40	54	B		1	5		30	55	B	
	SOUTHEAST	2	15	6	15	69		B		2	15	6	15	40	34	C		2	6		30	39	C	
	SOUTHWEST	3	22	7	22	58		B		3	22	7	22	40	29	C		3	7		30	33	C	
	NORTHWEST	4	22	8	22	73		B		4	22	8	22	40	56	B		4	8		30	56	B	
<b>Sixth Ave @ 34th St</b>	NORTHEAST	1		5	17	37		C		1		5	17	27	36	C		1	5		28	36	C	
	SOUTHEAST	2	17	6		38		C		2	17	6		53	38	C		2	6		52	38	C	
	SOUTHWEST	3	23	7		N/A		N/A	N/A	3	23	7		27	N/A	N/A	N/A	3	7		28	N/A	N/A	
	NORTHWEST	4	23	8		N/A		N/A	N/A	4	23	8		53	N/A	N/A	N/A	4	8		52	N/A	N/A	
<b>Broadway @ 34th St</b>	NORTHEAST	1	30	5		N/A		N/A	N/A	1	30	5		27	N/A	N/A	N/A	1	5		28	N/A	N/A	
	SOUTHEAST	2		6	30	N/A		N/A	N/A	2		6	30	53	N/A	N/A	N/A	2	6		52	N/A	N/A	
	SOUTHWEST	3		7	23	101		B		3		7	23	27	98	B		3	7		28	98	B	
	NORTHWEST	4		8	23	89		B		4		8	23	53	86	B		4	8		52	86	B	
<b>Blvd @ 33rd St</b>	NORTHEAST					N/A		N/A	N/A	1	10	5		45	22	D		1	5			30	C	
	SOUTHEAST					N/A		N/A	N/A	2	13	6		45	N/A	N/A	N/A	2	6			N/A	N/A	
	SOUTHWEST					N/A		N/A	N/A	3	13	7	13	45	N/A	N/A	N/A	3	7	35		N/A	N/A	
	NORTHWEST					N/A		N/A	N/A	4	13	8	13	45	6	E		4	35	8		7	E	
<b>Blvd @ 34th St</b>	NORTHEAST					N/A		N/A	N/A	1	18	5	13	30	110	B		1	5			122	B	
	SOUTHEAST					N/A		N/A	N/A	2	13	6	13	50	80	B		2	6			119	B	
	SOUTHWEST					N/A		N/A	N/A	3	20	7	20	30	68	B		3	7			104	B	
	NORTHWEST					N/A		N/A	N/A	4	20	8	30	50	233	A		4	8			259	A	

## Appendix S.5.4

### Pedestrian Improvement Analysis - Corner Level of Service

#### 2025 Future Conditions (AM)

Intersection	Corner Location	2025 Future without the Proposed Action				2025 Future with the Proposed Action					2025 Future with the Proposed Action (Improvement)								
		Sidewalk Width for No Build Condition		Pedestrian Flow Rate (s.f./ped.)	Level of Service	Sidewalk Width for Build Condition		Pedestrian Green	Pedestrian Flow Rate (s.f./ped.)	Level of Service	Impact?	Proposed Sidewalk Width Improvement	Signal Timing	Pedestrian Flow Rate (s.f./ped.)	Level of Service	Still Impact?			
<b>Twelfth Ave @ 30th St</b>	NORTHEAST	1	5	15	11987	A	1	5	15	24	3996	A		1	5		5993	A	
	SOUTHEAST	2	11	6	3557	A	2	11	6	95	2220	A		2	6	94	2539	A	
	SOUTHWEST	3	13	7	N/A	N/A	3	13	7	24	N/A	N/A		3	7		N/A	N/A	
	NORTHWEST	4	13	8	N/A	N/A	4	13	8	95	N/A	N/A		4	8	94	N/A	N/A	
<b>Twelfth Ave @ 34th St</b>	NORTHEAST	1	5	12	8319	A	1	5	12	29	4155	A		1	5	35	6930	A	
	SOUTHEAST	2	12	6	736	A	2	12	6	80	663	A		2	6	69	712	A	
	SOUTHWEST	3	18	7	N/A	N/A	3	18	7	29	N/A	N/A		3	7	35	N/A	N/A	
	NORTHWEST	4	18	8	N/A	N/A	4	18	8	80	N/A	N/A		4	8	69	N/A	N/A	
<b>Twelfth Ave @ 39th St</b>	NORTHEAST	1	5	18	15502	A	1	5	18	30	N/A	N/A		1	5	28	N/A	N/A	
	SOUTHEAST	2	13	6	989	A	2	13	6	69	N/A	N/A		2	6	98	N/A	N/A	
	SOUTHWEST	3	13	7	N/A	N/A	3	13	7	30	N/A	N/A		3	7	28	N/A	N/A	
	NORTHWEST	4	13	8	N/A	N/A	4	13	8	69	N/A	N/A		4	8	98	N/A	N/A	
<b>Twelfth Ave @ 40th St</b>	NORTHEAST	1	5	14	6297	A	1	5	14	0	N/A	N/A		1	5		N/A	N/A	
	SOUTHEAST	2	13	6	5473	A	2	13	6	71	N/A	N/A		2	6		N/A	N/A	
	SOUTHWEST	3	11	7	N/A	N/A	3	11	7	0	N/A	N/A		3	7		N/A	N/A	
	NORTHWEST	4	12	8	N/A	N/A	4	12	8	71	N/A	N/A		4	8		N/A	N/A	
<b>Twelfth Ave @ 42nd St</b>	NORTHEAST	1	5	20	747	A	1	5	20	33	765	A		1	5		765	A	
	SOUTHEAST	2	20	6	1406	A	2	20	6	69	1287	A		2	6	66	1287	A	
	SOUTHWEST	3	15	7	N/A	N/A	3	15	7	33	N/A	N/A		3	7		N/A	N/A	
	NORTHWEST	4	26	8	N/A	N/A	4	26	8	0	N/A	N/A		4	8		N/A	N/A	
<b>Eleventh Ave @ 29th St</b>	NORTHEAST	1	15	5	1493	A	1	15	5	40	185	A		1	5		185	A	
	SOUTHEAST	2	15	6	1309	A	2	15	6	40	215	A		2	6		215	A	
	SOUTHWEST	3	13	7	4117	A	3	13	7	40	337	A		3	7		337	A	
	NORTHWEST	4	13	8	3658	A	4	13	8	40	299	A		4	8		299	A	
<b>Eleventh Ave @ 30th St</b>	NORTHEAST	1	15	5	1733	A	1	15	5	40	173	A		1	5		173	A	
	SOUTHEAST	2	15	6	2739	A	2	20	6	40	126	B		2	6		126	B	
	SOUTHWEST	3	13	7	2531	A	3	13	7	40	210	A		3	7		210	A	
	NORTHWEST	4	13	8	1643	A	4	13	8	40	188	A		4	8		188	A	
<b>Eleventh Ave @ 33rd St</b>	NORTHEAST	1	15	5	969	A	1	15	5	25	252	A		1	5		252	A	
	SOUTHEAST	2	15	6	1642	A	2	20	6	55	156	A		2	6		156	A	
	SOUTHWEST	3	13	7	2194	A	3	18	7	25	N/A	N/A		3	7		N/A	N/A	
	NORTHWEST	4	13	8	2527	A	4	13	8	55	N/A	N/A		4	8		N/A	N/A	
<b>Eleventh Ave @ 34th St</b>	NORTHEAST	1	15	5	592	A	1	15	5	22	200	A		1	5	28	198	A	
	SOUTHEAST	2	12	6	682	A	2	17	6	58	295	A		2	6	39	292	A	
	SOUTHWEST	3	20	7	1006	A	3	30	7	22	152	A		3	7	28	149	A	
	NORTHWEST	4	20	8	985	A	4	30	8	58	105	B		4	8	39	105	B	
<b>Eleventh Ave @ 35th St</b>	NORTHEAST	1	19	5	2170	A	1	19	5	40	103	B		1	5		103	B	
	SOUTHEAST	2	15	6	1592	A	2	15	6	40	88	B		2	6		88	B	
	SOUTHWEST	3	14	7	N/A	N/A	3	24	7	40	N/A	N/A		3	7		N/A	N/A	
	NORTHWEST	4	14	8	N/A	N/A	4	19	8	40	N/A	N/A		4	8		N/A	N/A	
<b>Eleventh Ave @ 36th St</b>	NORTHEAST	1	15	5	1261	A	1	15	5	22	52	B		1	5		52	B	
	SOUTHEAST	2	9	6	1416	A	2	15	6	22	52	B		2	6		52	B	
	SOUTHWEST	3	13	7	N/A	N/A	3	22	7	22	N/A	N/A		3	7		N/A	N/A	
	NORTHWEST	4	10	8	N/A	N/A	4	18	8	0	N/A	N/A		4	8		N/A	N/A	

## Appendix S.5.4

### Pedestrian Improvement Analysis - Corner Level of Service

#### 2025 Future Conditions (AM)

Intersection	Corner Location	2025 Future without the Proposed Action				2025 Future with the Proposed Action					2025 Future with the Proposed Action (Improvement)										
		Sidewalk Width for No Build Condition		Pedestrian Flow Rate (s.f./ped.)	Level of Service	Sidewalk Width for Build Condition		Pedestrian Green	Pedestrian Flow Rate (s.f./ped.)	Level of Service	Impact?	Proposed Sidewalk Width Improvement	Signal Timing	Pedestrian Flow Rate (s.f./ped.)	Level of Service	Still Impact?					
<b>Eleventh Ave @ 37th St</b>	NORTHEAST	1	15	5	10	1067	A	1	15	5	15	22	91	B		1	5	42	86	B	
	SOUTHEAST	2	10	6	15	1144	A	2	15	6	15	58	65	B		2	6	38	60	B	
	SOUTHWEST	3	12	7		N/A	N/A	3	22	7		22	N/A	N/A		3	7	42	N/A	N/A	
	NORTHWEST	4	12	8		N/A	N/A	4	17	8		0	N/A	N/A		4	8	38	N/A	N/A	
<b>Eleventh Ave @ 38th St</b>	NORTHEAST	1	15	5	10	1967	A	1	15	5	15	22	297	A		1	5	17	294	A	
	SOUTHEAST	2	10	6	15	1972	A	2	15	6	15	22	192	A		2	6	17	190	A	
	SOUTHWEST	3	11	7		N/A	N/A	3	22	7		22	N/A	N/A		3	7	17	N/A	N/A	
	NORTHWEST	4	11	8		N/A	N/A	4	17	8		22	N/A	N/A		4	8	17	N/A	N/A	
<b>Eleventh Ave @ 39th St</b>	NORTHEAST	1	14	5	10	2110	A	1	14	5	15	31	138	A		1	5	40	135	A	
	SOUTHEAST	2	10	6	15	529	A	2	15	6	15	49	159	A		2	6	40	158	A	
	SOUTHWEST	3	12	7	13	318	A	3	12	7		31	N/A	N/A		3	7	40	N/A	N/A	
	NORTHWEST	4	11	8	15	446	A	4	18	8		49	N/A	N/A		4	8	40	N/A	N/A	
<b>Eleventh Ave @ 40th St</b>	NORTHEAST	1	15	5	10	872	A	1	15	5	15	22	165	A		1	5		165	A	
	SOUTHEAST	2	10	6	15	963	A	2	15	6	15	22	253	A		2	6		253	A	
	SOUTHWEST	3	13	7	13	968	A	3	18	7		22	N/A	N/A		3	7		N/A	N/A	
	NORTHWEST	4	13	8	13	783	A	4	18	8		22	N/A	N/A		4	8		N/A	N/A	
<b>Eleventh Ave @ 42nd St</b>	NORTHEAST	1	16	5	16	223	A	1	16	5	16	33	99	B		1	5	39	97	B	
	SOUTHEAST	2	16	6	15	267	A	2	16	6	15	35	66	B		2	6	29	67	B	
	SOUTHWEST	3	15	7	16	210	A	3	15	7	16	33	82	B		3	7	39	83	B	
	NORTHWEST	4	15	8	16	198	A	4	15	8	16	35	139	A		4	8	29	139	A	
<b>Tenth Ave @ 29th St</b>	NORTHEAST	1	15	5	15	433	A	1	15	5	15	30	162	A		1	5		162	A	
	SOUTHEAST	2	15	6	15	348	A	2	15	6	15	50	154	A		2	6		154	A	
	SOUTHWEST	3	13	7	13	230	A	3	13	7	13	30	70	B		3	7		70	B	
	NORTHWEST	4	13	8	13	285	A	4	13	8	13	50	75	B		4	8		75	B	
<b>Tenth Ave @ 30th St</b>	NORTHEAST	1	16	5	15	496	A	1	16	5	15	30	79	B		1	5		79	B	
	SOUTHEAST	2	15	6	15	576	A	2	15	6	15	50	154	A		2	6		154	A	
	SOUTHWEST	3	13	7	14	472	A	3	13	7	14	30	72	B		3	7		72	B	
	NORTHWEST	4	15	8	14	452	A	4	15	8	14	50	55	B		4	8		55	B	
<b>Tenth Ave @ 31st St</b>	NORTHEAST	1	15	5	15	579	A	1	15	5	15	30	38	C		1	5		38	C	
	SOUTHEAST	2	15	6	15	698	A	2	15	6	15	50	118	B		2	6		118	B	
	SOUTHWEST	3	13	7		N/A	N/A	3	13	7		30	N/A	N/A		3	7		N/A	N/A	
	NORTHWEST	4	13	8		N/A	N/A	4	13	8		0	N/A	N/A		4	8		N/A	N/A	
<b>Tenth Ave @ 33rd St</b>	NORTHEAST	1	15	5	15	388	A	1	15	5	15	32	11	E	Yes	1	5		11	E	Yes
	SOUTHEAST	2	15	6	15	332	A	2	15	6	15	48	7	E	Yes	2	6		7	E	Yes
	SOUTHWEST	3	13	7	13	357	A	3	13	7	13	32	9	E	Yes	3	7		9	E	Yes
	NORTHWEST	4	13	8	13	468	A	4	13	8	18	48	26	C		4	8		26	C	
<b>Tenth Ave @ 34th St</b>	NORTHEAST	1	15	5	15	266	A	1	15	5	15	30	27	C		1	5	43	30	C	
	SOUTHEAST	2	15	6	15	279	A	2	15	6	15	50	19	D		2	6	37	23	D	
	SOUTHWEST	3	20	7	20	346	A	3	20	7	30	30	40	B		3	7	43	39	C	
	NORTHWEST	4	20	8	20	289	A	4	20	8	30	50	44	B		4	8	37	42	B	
<b>Tenth Ave @ 35th St</b>	NORTHEAST	1	16	5	15	568	A	1	16	5	15	30	32	C		1	5	34	33	C	
	SOUTHEAST	2	15	6	15	616	A	2	15	6	15	50	14	E	Yes	2	6	46	15	D	
	SOUTHWEST	3	15	7	13	654	A	3	15	7	18	30	42	B		3	7	34	42	B	
	NORTHWEST	4	9	8	14	509	A	4	9	8	24	50	61	B		4	8	46	61	B	

## Appendix S.5.4

### Pedestrian Improvement Analysis - Corner Level of Service

#### 2025 Future Conditions (AM)

Intersection	Corner Location	2025 Future without the Proposed Action				2025 Future with the Proposed Action					2025 Future with the Proposed Action (Improvement)										
		Sidewalk Width for No Build Condition		Pedestrian Flow Rate (s.f./ped.)	Level of Service	Sidewalk Width for Build Condition		Pedestrian Green	Pedestrian Flow Rate (s.f./ped.)	Level of Service	Impact?	Proposed Sidewalk Width Improvement	Signal Timing	Pedestrian Flow Rate (s.f./ped.)	Level of Service	Still Impact?					
<b>Tenth Ave @ 36th St</b>	NORTHEAST	1	15	5	15	290	A	1	15	5	15	30	48	B		1	5	31	48	B	
	SOUTHEAST	2	16	6	15	167	A	2	16	6	15	50	41	B		2	6	49	41	B	
	SOUTHWEST	3	12	7	12	219	A	3	12	7	18	30	65	B		3	7	31	65	B	
	NORTHWEST	4	12	8	12	352	A	4	12	8	22	50	78	B		4	8	49	78	B	
<b>Tenth Ave @ 37th St</b>	NORTHEAST	1	15	5	15	360	A	1	15	5	15	32	32	C		1	5		32	C	
	SOUTHEAST	2	15	6	15	408	A	2	15	6	15	48	28	C		2	6		28	C	
	SOUTHWEST	3	12	7	12	697	A	3	12	7	17	32	49	B		3	7		49	B	
	NORTHWEST	4	12	8	12	479	A	4	12	8	22	48	70	B		4	8		70	B	
<b>Tenth Ave @ 38th St</b>	NORTHEAST	1	15	5	15	1226	A	1	15	5	15	30	38	C		1	5		38	C	
	SOUTHEAST	2	15	6	15	1968	A	2	15	6	15	50	47	B		2	6		47	B	
	SOUTHWEST	3	12	7	12	1557	A	3	12	7	17	30	64	B		3	7		64	B	
	NORTHWEST	4	12	8	12	1128	A	4	12	8	22	50	72	B		4	8		72	B	
<b>Tenth Ave @ 39th St</b>	NORTHEAST	1	15	5	15	793	A	1	15	5	15	35	39	C		1	5		39	C	
	SOUTHEAST	2	15	6	15	583	A	2	15	6	15	45	33	C		2	6		33	C	
	SOUTHWEST	3	12	7	13	1057	A	3	12	7	18	35	64	B		3	7		64	B	
	NORTHWEST	4	12	8	10	870	A	4	12	8	10	45	25	C		4	8		25	C	
<b>Tenth Ave @ 40th St</b>	NORTHEAST	1	15	5	15	584	A	1	15	5	15	36	27	C		1	5		27	C	
	SOUTHEAST	2	15	6	15	735	A	2	15	6	15	44	46	B		2	6		46	B	
	SOUTHWEST	3	12	7	13	2350	A	3	12	7	13	36	59	B		3	7		59	B	
	NORTHWEST	4	12	8	13	1726	A	4	12	8	18	44	60	B		4	8		60	B	
<b>Tenth Ave @ 41st St</b>	NORTHEAST	1	15	5	16	247	A	1	15	5	16	45	47	B		1	5		47	B	
	SOUTHEAST	2	16	6	10	1070	A	2	16	6	10	35	38	C		2	6		38	C	
	SOUTHWEST	3	10	7	17	1197	A	3	10	7	17	45	27	C		3	7		27	C	
	NORTHWEST	4	14	8	12	333	A	4	14	8	12	35	56	B		4	8		56	B	
<b>Tenth Ave @ 42nd St</b>	NORTHEAST	1	20	5	16	271	A	1	20	5	16	28	138	A		1	5	34	138	A	
	SOUTHEAST	2	22	6	16	275	A	2	22	6	16	52	58	B		2	6	46	59	B	
	SOUTHWEST	3	21	7	15	230	A	3	21	7	15	28	45	B		3	7	34	46	B	
	NORTHWEST	4	20	8	15	156	A	4	20	8	15	52	80	B		4	8	46	81	B	
<b>Dyer @ 42nd St</b>	NORTHEAST	1		5	6	N/A	N/A	1		5	6	34	N/A	N/A		1	5		N/A	N/A	
	SOUTHEAST	2		6	4	61	B	2		6	4	46	66	B		2	6		66	B	
	SOUTHWEST	3	21	7	20	142	A	3	21	7	20	34	155	A		3	7		155	A	
	NORTHWEST	4	20	8	21	N/A	N/A	4	20	8	21	46	N/A	N/A		4	8		N/A	N/A	
<b>Ninth Ave @ 30th St</b>	NORTHEAST	1	16	5	16	151	A	1	16	5	16	36	73	B		1	5	38	73	B	
	SOUTHEAST	2	15	6	16	148	A	2	15	6	16	44	86	B		2	6	42	86	B	
	SOUTHWEST	3	13	7	14	74	B	3	13	7	14	36	53	B		3	7	38	53	B	
	NORTHWEST	4	13	8	12	89	B	4	13	8	12	44	55	B		4	8	42	55	B	
<b>Ninth Ave @ 31st St</b>	NORTHEAST	1	15	5	15	57	B	1	20	5	15	30	25	C		1	5		25	C	
	SOUTHEAST	2	13	6	15	69	B	2	13	6	15	50	46	B		2	6		46	B	
	SOUTHWEST	3	13	7	13	116	B	3	13	7	13	30	60	B		3	7		60	B	
	NORTHWEST	4	13	8	13	109	B	4	13	8	13	50	51	B		4	8		51	B	
<b>Ninth Ave @ 33rd St</b>	NORTHEAST	1	15	5	15	43	B	1	15	5	15	30	11	E	Yes	1	5	33	11	E	Yes
	SOUTHEAST	2	15	6	15	18	D	2	15	6	20	50	1	F	Yes	2	6	47	1	F	Yes
	SOUTHWEST	3	13	7	13	29	C	3	13	7	18	30	20	D		3	7	33	20	D	
	NORTHWEST	4	13	8	13	50	B	4	13	8	13	50	15	D		4	8	47	15	D	

## Appendix S.5.4

### Pedestrian Improvement Analysis - Corner Level of Service

#### 2025 Future Conditions (AM)

Intersection	Corner Location	2025 Future without the Proposed Action				2025 Future with the Proposed Action					2025 Future with the Proposed Action (Improvement)										
		Sidewalk Width for No Build Condition		Pedestrian Flow Rate (s.f./ped.)	Level of Service	Sidewalk Width for Build Condition		Pedestrian Green	Pedestrian Flow Rate (s.f./ped.)	Level of Service	Impact?	Proposed Sidewalk Width Improvement	Signal Timing	Pedestrian Flow Rate (s.f./ped.)	Level of Service	Still Impact?					
<b>Ninth Ave @ 34th St</b>	NORTHEAST	1	15	5	15	60	B	1	15	5	15	30	29	C		1	5	35	29	C	
	SOUTHEAST	2	15	6	15	60	B	2	15	6	15	35	22	D		2	6	25	22	D	
	SOUTHWEST	3	23	7	20	64	B	3	23	7	20	30	21	D		3	7	35	21	D	
	NORTHWEST	4	23	8	20	56	B	4	23	8	20	35	29	C		4	8	25	28	C	
<b>Ninth Ave @ 37th St</b>	NORTHEAST	1	15	5	15	132	A	1	15	5	15	30	43	B		1	5	32	43	B	
	SOUTHEAST	2	15	6	15	124	B	2	15	6	15	50	46	B		2	6	48	46	B	
	SOUTHWEST	3	12	7	12	95	B	3	12	7	12	30	45	B		3	7	32	45	B	
	NORTHWEST	4	12	8	12	70	B	4	12	8	12	50	33	C		4	8	48	33	C	
<b>Ninth Ave @ 38th St</b>	NORTHEAST	1	15	5	15	132	A	1	15	5	15	30	37	C		1	5		37	C	
	SOUTHEAST	2	15	6	15	130	A	2	15	6	15	50	37	C		2	6		37	C	
	SOUTHWEST	3	11	7	11	285	A	3	11	7	11	30	77	B		3	7		77	B	
	NORTHWEST	4	11	8	11	256	A	4	11	8	11	50	73	B		4	8		73	B	
<b>Ninth Ave @ 39th St</b>	NORTHEAST	1	15	5	15	121	B	1	15	5	15	30	40	B		1	5		40	B	
	SOUTHEAST	2	15	6	15	122	B	2	15	6	15	50	40	B		2	6		40	B	
	SOUTHWEST	3	12	7	12	213	A	3	12	7	12	30	88	B		3	7		88	B	
	NORTHWEST	4	12	8	12	211	A	4	12	8	12	50	99	B		4	8		99	B	
<b>Ninth Ave @ 42nd St</b>	NORTHEAST	1	16	5	14	18	D	1	16	5	14	29	9	E	Yes	1	5		9	E	Yes
	SOUTHEAST	2	10	6	15	79	B	2	10	6	15	35	47	B		2	6		47	B	
	SOUTHWEST	3	11	7	20	101	B	3	11	7	20	29	58	B		3	7		58	B	
	NORTHWEST	4	19	8	21	102	B	4	19	8	21	35	72	B		4	8		72	B	
<b>Eighth Ave @ 30th St</b>	NORTHEAST	1	14	5	15	101	B	1	14	5	15	38	52	B		1	5		52	B	
	SOUTHEAST	2	15	6	14	144	A	2	15	6	14	42	74	B		2	6		74	B	
	SOUTHWEST	3	13	7	14	165	A	3	13	7	14	38	104	B		3	7		104	B	
	NORTHWEST	4	14	8	13	129	B	4	14	8	13	42	85	B		4	8		85	B	
<b>Eighth Ave @ 31st St</b>	NORTHEAST	1	16	5	15	328	A	1	16	5	15	40	51	B		1	5		51	B	
	SOUTHEAST	2	24	6	15	69	B	2	20	6	15	40	29	C		2	6		29	C	
	SOUTHWEST	3	49	7	13	85	B	3	18	7	13	40	55	B		3	7		55	B	
	NORTHWEST	4	14	8	24	104	B	4	14	8	24	40	87	B		4	8		87	B	
<b>Eighth Ave @ 33rd St</b>	NORTHEAST	1	15	5	43	50	B	1	15	5	20	47	25	C		1	5	42	25	C	
	SOUTHEAST	2	19	6	16	283	A	2	19	6	16	33	25	C		2	6	38	25	C	
	SOUTHWEST	3	17	7	24	24	C	3	17	7	24	47	20	D		3	7	42	20	D	
	NORTHWEST	4	43	8	14	12	E	4	18	8	14	33	9	E	Yes	4	8	38	9	E	Yes
<b>Eighth Ave @ 34th St</b>	NORTHEAST	1	15	5	15	61	B	1	15	5	15	40	32	C		1	5	33	30	C	
	SOUTHEAST	2	15	6	15	71	B	2	15	6	15	40	36	C		2	6	35	34	C	
	SOUTHWEST	3	22	7	22	57	B	3	22	7	22	40	41	B		3	7	33	39	C	
	NORTHWEST	4	22	8	22	51	B	4	22	8	22	40	36	C		4	8	35	34	C	
<b>Eighth Ave @ 37th St</b>	NORTHEAST	1	15	5	15	45	B	1	15	5	15	36	36	C		1	5		36	C	
	SOUTHEAST	2	15	6	15	49	B	2	15	6	15	44	36	C		2	6		36	C	
	SOUTHWEST	3	12	7	12	35	C	3	12	7	12	36	29	C		3	7		29	C	
	NORTHWEST	4	12	8	13	42	B	4	12	8	13	44	36	C		4	8		36	C	
<b>Eighth Ave @ 38th St</b>	NORTHEAST	1	15	5	15	87	B	1	15	5	15	38	71	B		1	5		71	B	
	SOUTHEAST	2	15	6	15	101	B	2	15	6	15	42	73	B		2	6		73	B	
	SOUTHWEST	3	12	7	11	61	B	3	12	7	11	38	43	B		3	7		43	B	
	NORTHWEST	4	12	8	11	48	B	4	12	8	11	42	39	C		4	8		39	C	

## Appendix S.5.4

### Pedestrian Improvement Analysis - Corner Level of Service

#### 2025 Future Conditions (AM)

Intersection	Corner Location	2025 Future without the Proposed Action				2025 Future with the Proposed Action					2025 Future with the Proposed Action (Improvement)											
		Sidewalk Width for No Build Condition		Pedestrian Flow Rate (s.f./ped.)	Level of Service	Sidewalk Width for Build Condition		Pedestrian Green	Pedestrian Flow Rate (s.f./ped.)	Level of Service	Impact?	Proposed Sidewalk Width Improvement	Signal Timing	Pedestrian Flow Rate (s.f./ped.)	Level of Service	Still Impact?						
<b>Eighth Ave @ 39th St</b>	NORTHEAST	1	15	5	15	17.0	D	1	15	5	15	40	17.0	D		1	5		17	D		
	SOUTHEAST	2	15	6	15	26	C	2	15	6	15	40	24	C		2	6		24	C		
	SOUTHWEST	3	12	7	12	27	C	3	12	7	12	40	24	C		3	7		24	C		
	NORTHWEST	4	12	8	12	21	D	4	12	8	12	40	22	D		4	8		22	D		
<b>Eighth Ave @ 42nd St</b>	NORTHEAST	1	15	5	12	45	B	1	15	5	12	25	42	B		1	5		30	43	B	
	SOUTHEAST	2	16	6	29	8	E	2	16	6	29	35	7	E	Yes	2	6		37	8	E	
	SOUTHWEST	3	23	7	34	58	B	3	23	7	34	25	55	B		3	7		30	57	B	
	NORTHWEST	4	16	8	20	23	D	4	16	8	20	35	21	D		4	8		37	22	D	
<b>Seventh Ave @ 31st St</b>	NORTHEAST	1	23	5	20	34	C	1	23	5	20	38	29	C		1	5		40	29	C	
	SOUTHEAST	2	23	6	20	51	B	2	23	6	20	42	44	B		2	6		40	44	B	
	SOUTHWEST	3	13	7	13	46	B	3	13	7	13	38	38	C		3	7		40	38	C	
	NORTHWEST	4	13	8	18	52	B	4	13	8	18	42	43	B		4	8		40	43	B	
<b>Seventh Ave @ 33rd St</b>	NORTHEAST	1	20	5	20	24	C	1	20	5	20	22	21	D		1	5		23	21	D	
	SOUTHEAST	2	20	6	40	16	D	2	20	6	40	58	13	E	Yes	2	6		57	13	E	Yes
	SOUTHWEST	3	13	7	40	177	A	3	13	7	40	22	149	A		3	7		23	149	A	
	NORTHWEST	4	13	8	15	28	C	4	13	8	15	58	22	D		4	8		57	22	D	
<b>Seventh Ave @ 34th St</b>	NORTHEAST	1	20	5	20	67	B	1	20	5	20	35	60	B		1	5		38	60	B	
	SOUTHEAST	2	20	6	20	60	B	2	20	6	20	44	55	B		2	6		41	55	B	
	SOUTHWEST	3	23	7	23	31	C	3	23	7	23	35	29	C		3	7		38	28	C	
	NORTHWEST	4	23	8	23	35	C	4	23	8	23	44	32	C		4	8		41	33	C	
<b>Sixth Ave @ 33rd St</b>	NORTHEAST	1	34	5	27	75	B	1	34	5	27	27	70	B		1	5		25	70	B	
	SOUTHEAST	2	28	6	24	62	B	2	28	6	24	90	49	B		2	6			48	B	
	SOUTHWEST	3	13	7	13	34	C	3	13	7	13	27	27	C		3	7		25	26	C	
	NORTHWEST	4	13	8	13	74	B	4	13	8	13	39	71	B		4	8		37	70	B	
<b>Sixth Ave @ 34th St</b>	NORTHEAST	1		5	17	41	B	1		5	17	27	39	C		1	5			39	C	
	SOUTHEAST	2	17	6		45	B	2	17	6		53	44	B		2	6			44	B	
	SOUTHWEST	3	23	7		N/A	N/A	3	23	7		27	N/A	N/A		3	7			N/A	N/A	
	NORTHWEST	4	23	8		N/A	N/A	4	23	8		53	N/A	N/A		4	8			N/A	N/A	
<b>Broadway @ 34th St</b>	NORTHEAST	1	30	5		N/A	N/A	1	30	5		27	N/A	N/A		1	5			N/A	N/A	
	SOUTHEAST	2		6	30	N/A	N/A	2		6	30	53	N/A	N/A		2	6			N/A	N/A	
	SOUTHWEST	3		7	23	70	B	3		7	23	27	68	B		3	7			68	B	
	NORTHWEST	4		8	23	48	B	4		8	23	53	46	B		4	8			46	B	
<b>Blvd @ 33rd St</b>	NORTHEAST					N/A	N/A	1	15	5		30	22	D		1	5		45	23	D	
	SOUTHEAST					N/A	N/A	2	18	6		50	N/A	N/A		2	6		45	N/A	N/A	
	SOUTHWEST					N/A	N/A	3	18	7	13	30	N/A	N/A		3	7		45	N/A	N/A	
	NORTHWEST					N/A	N/A	4	13	8	18	50	8	E		4	8		45	10	E	
<b>Blvd @ 34th St</b>	NORTHEAST					N/A	N/A	1	18	5	18	30	89	B		1	5			89	B	
	SOUTHEAST					N/A	N/A	2	18	6	18	50	80	B		2	6			80	B	
	SOUTHWEST					N/A	N/A	3	30	7	30	30	80	B		3	7			80	B	
	NORTHWEST					N/A	N/A	4	30	8	30	50	95	B		4	8			95	B	
<b>N.Blvd @ 35th St</b>	NORTHEAST					N/A	N/A	1		5	18	40	57	B		1	5			57	B	
	SOUTHEAST					N/A	N/A	2	18	6	18	40	30	C		2	6			30	C	
	SOUTHWEST					N/A	N/A	3	24	7	18	40	62	B		3	7			62	B	
	NORTHWEST					N/A	N/A	4	18	8		40	N/A	N/A		4	8			N/A	N/A	

## Appendix S.5.4

### Pedestrian Improvement Analysis - Corner Level of Service

#### 2025 Future Conditions (AM)

Intersection	Corner Location	2025 Future without the Proposed Action			2025 Future with the Proposed Action					2025 Future with the Proposed Action (Improvement)								
		Sidewalk Width for No Build Condition	Pedestrian Flow Rate (s.f./ped.)	Level of Service	Sidewalk Width for Build Condition	Pedestrian Green	Pedestrian Flow Rate (s.f./ped.)	Level of Service	Impact?	Proposed Sidewalk Width Improvement	Signal Timing	Pedestrian Flow Rate (s.f./ped.)	Level of Service	Still Impact?				
<b>N.Blvd @ 36th St</b>	NORTHEAST		N/A	N/A	1	5	18	40	148	A		1	5		148	A		
	SOUTHEAST		N/A	N/A	2	18	6	40	71	B		2	6		71	B		
	SOUTHWEST		N/A	N/A	3	22	7	40	N/A	N/A		3	7		N/A	N/A		
	NORTHWEST		N/A	N/A	4	18	8	40	N/A	N/A		4	8		N/A	N/A		
<b>N.Blvd @ 37th St</b>	NORTHEAST		N/A	N/A	1	5	18	32	123	B		1	5		123	B		
	SOUTHEAST		N/A	N/A	2	18	6	48	100	B		2	6		100	B		
	SOUTHWEST		N/A	N/A	3	22	7	32	N/A	N/A		3	7		N/A	N/A		
	NORTHWEST		N/A	N/A	4	17	8	48	N/A	N/A		4	8		N/A	N/A		
<b>Blvd @ 38th St</b>	NORTHEAST		N/A	N/A	1	18	5	18	40	121	B		1	5		121	B	
	SOUTHEAST		N/A	N/A	2	18	6	18	40	78	B		2	6		78	B	
	SOUTHWEST		N/A	N/A	3	22	7	17	40	40	B		3	7		40	B	
	NORTHWEST		N/A	N/A	4	17	8	22	40	50	B		4	8		50	B	
<b>S.Blvd @ 35th St</b>	NORTHEAST		N/A	N/A	1	18	5		30	N/A	N/A		1	5		N/A	N/A	
	SOUTHEAST		N/A	N/A	2		6		50	N/A	N/A		2	6		N/A	N/A	
	SOUTHWEST		N/A	N/A	3		7	18	30	N/A	N/A		3	7		N/A	N/A	
	NORTHWEST		N/A	N/A	4		8	24	50	45	B		4	8		45	B	
<b>S.Blvd @ 36th St</b>	NORTHEAST		N/A	N/A	1	18	5		30	N/A	N/A		1	5		N/A	N/A	
	SOUTHEAST		N/A	N/A	2		6	18	50	N/A	N/A		2	6		N/A	N/A	
	SOUTHWEST		N/A	N/A	3		7	18	30	66	B		3	7		66	B	
	NORTHWEST		N/A	N/A	4		8	22	50	126	B		4	8		126	B	
<b>S.Blvd @ 37th St</b>	NORTHEAST		N/A	N/A	1	18	5		32	N/A	N/A		1	5		N/A	N/A	
	SOUTHEAST		N/A	N/A	2		6	18	48	N/A	N/A		2	6		N/A	N/A	
	SOUTHWEST		N/A	N/A	3		7	17	32	59	B		3	7		59	B	
	NORTHWEST		N/A	N/A	4		8	22	48	70	B		4	8		70	B	

## Appendix S.5.4

### Pedestrian Improvement Analysis - Corner Level of Service

#### 2025 Future Conditions (MD)

Intersection	Corner Location	2025 Future without the Proposed Action				2025 Future with the Proposed Action					2025 Future with the Proposed Action (Improvement)												
		Sidewalk Width for No Build Condition		Pedestrian Flow Rate (s.f./ped.)	Level of Service	Sidewalk Width for Build Condition		Pedestrian Green	Pedestrian Flow Rate (s.f./ped.)	Level of Service	Impact?	Proposed Sidewalk Width	Signal Timing	Pedestrian Flow Rate (s.f./ped.)	Level of Service	Still Impact?							
Twelfth Ave @ 30th St	NORTHEAST	1	15	5	15	7991	A	1	15	5	15	24	3993	A		1	5			3993	A		
	SOUTHEAST	2	11	6	15	7128	A	2	11	6	15	70	3233	A		2	6	69		3233	A		
	SOUTHWEST	3	13	7		N/A	N/A	3	13	7		24	N/A	N/A		3	7			N/A	N/A		
	NORTHWEST	4	13	8		N/A	N/A	4	13	8		70	N/A	N/A		4	8	69		N/A	N/A		
Twelfth Ave @ 34th St	NORTHEAST	1	15	5	12	2080	A	1	15	5	12	29	1807	A		1	5			33	1980	A	
	SOUTHEAST	2	12	6	15	338	A	2	12	6	15	60	321	A		2	6	54		54	328	A	
	SOUTHWEST	3	18	7		N/A	N/A	3	18	7		29	N/A	N/A		3	7	33		33	N/A	N/A	
	NORTHWEST	4	18	8		N/A	N/A	4	18	8		60	N/A	N/A		4	8	54		54	N/A	N/A	
Twelfth Ave @ 39th St	NORTHEAST	1	15	5	18	3098	A	1	15	5	18	30	N/A	N/A		1	5			N/A	N/A		
	SOUTHEAST	2	13	6	15	597	A	2	13	6	15	49	N/A	N/A		2	6	67		67	N/A	N/A	
	SOUTHWEST	3	13	7		N/A	N/A	3	13	7		30	N/A	N/A		3	7			N/A	N/A		
	NORTHWEST	4	13	8		N/A	N/A	4	13	8		49	N/A	N/A		4	8	67		67	N/A	N/A	
Twelfth Ave @ 40th St	NORTHEAST	1	15	5	14	4195	A	1	15	5	14	0	N/A	N/A		1	5			N/A	N/A		
	SOUTHEAST	2	13	6	15	4702	A	2	13	6	15	63	N/A	N/A		2	6			N/A	N/A		
	SOUTHWEST	3	11	7		N/A	N/A	3	11	7		0	N/A	N/A		3	7			N/A	N/A		
	NORTHWEST	4	12	8		N/A	N/A	4	12	8		63	N/A	N/A		4	8			N/A	N/A		
Twelfth Ave @ 42nd St	NORTHEAST	1	15	5	20	385	A	1	15	5	20	33	417	A		1	5			417	A		
	SOUTHEAST	2	20	6	15	927	A	2	20	6	15	45	910	A		2	6			910	A		
	SOUTHWEST	3	15	7		N/A	N/A	3	15	7		33	N/A	N/A		3	7			N/A	N/A		
	NORTHWEST	4	26	8		N/A	N/A	4	26	8		45	N/A	N/A		4	8			N/A	N/A		
Eleventh Ave @ 29th St	NORTHEAST	1	15	5	15	265	A	1	15	5	15	40	53	B		1	5			53	B		
	SOUTHEAST	2	15	6	15	264	A	2	15	6	15	40	62	B		2	6			62	B		
	SOUTHWEST	3	13	7	13	679	A	3	13	7	13	40	96	B		3	7			96	B		
	NORTHWEST	4	13	8	13	678	A	4	13	8	13	40	92	B		4	8			93	B		
Eleventh Ave @ 30th St	NORTHEAST	1	15	5	15	146	A	1	15	5	15	40	38	C		1	5			38	C		
	SOUTHEAST	2	15	6	15	266	A	2	20	6	15	40	29	C		2	6			29	C		
	SOUTHWEST	3	13	7	13	328	A	3	13	7	13	40	57	B		3	7			57	B		
	NORTHWEST	4	13	8	13	170	A	4	13	8	13	40	47	B		4	8			47	B		
Eleventh Ave @ 33rd St	NORTHEAST	1	15	5	15	138	A	1	15	5	20	25	84	B		1	5			84	B		
	SOUTHEAST	2	15	6	15	587	A	2	20	6	15	55	52	B		2	6			52	B		
	SOUTHWEST	3	13	7	13	3297	A	3	18	7		25	N/A	N/A		3	7			N/A	N/A		
	NORTHWEST	4	13	8	13	2743	A	4	13	8		55	N/A	N/A		4	8			N/A	N/A		
Eleventh Ave @ 34th St	NORTHEAST	1	15	5	15	135	A	1	15	5	20	27	82	B		1	5			28	79	B	
	SOUTHEAST	2	12	6	15	182	A	2	17	6	15	53	109	B		2	6	40		40	106	B	
	SOUTHWEST	3	20	7	20	398	A	3	30	7	20	27	84	B		3	7	28		28	82	B	
	NORTHWEST	4	20	8	20	345	A	4	30	8	20	53	81	B		4	8	40		40	79	B	
Eleventh Ave @ 35th St	NORTHEAST	1	19	5	11	241	A	1	19	5	16	40	72	B		1	5			72	B		
	SOUTHEAST	2	15	6	15	168	A	2	15	6	15	40	61	B		2	6			61	B		
	SOUTHWEST	3	14	7		N/A	N/A	3	24	7		40	N/A	N/A		3	7			N/A	N/A		
	NORTHWEST	4	14	8		N/A	N/A	4	19	8		40	N/A	N/A		4	8			N/A	N/A		
Eleventh Ave @ 36th St	NORTHEAST	1	15	5	15	130	A	1	15	5	20	22	68	B		1	5			68	B		
	SOUTHEAST	2	9	6	17	152	A	2	15	6	17	22	64	B		2	6			64	B		
	SOUTHWEST	3	13	7		N/A	N/A	3	22	7		22	N/A	N/A		3	7			N/A	N/A		
	NORTHWEST	4	10	8		N/A	N/A	4	18	8		22	N/A	N/A		4	8			N/A	N/A		



## Appendix S.5.4

### Pedestrian Improvement Analysis - Corner Level of Service

#### 2025 Future Conditions (MD)

Intersection	Corner Location	2025 Future without the Proposed Action				2025 Future with the Proposed Action					2025 Future with the Proposed Action (Improvement)										
		Sidewalk Width for No Build Condition		Pedestrian Flow Rate (s.f./ped.)	Level of Service	Sidewalk Width for Build Condition		Pedestrian Green	Pedestrian Flow Rate (s.f./ped.)	Level of Service	Impact?	Proposed Sidewalk Width	Signal Timing	Pedestrian Flow Rate (s.f./ped.)	Level of Service	Still Impact?					
<b>Eleventh Ave @ 37th St</b>	NORTHEAST	1	15	5	10	123	B	1	15	5	15	22	76	B		1	5	30	75	B	
	SOUTHEAST	2	10	6	15	108	B	2	15	6	15	58	59	B		2	6	50	57	B	
	SOUTHWEST	3	12	7		N/A	N/A	3	22	7		22	N/A	N/A		3	7	30	N/A	N/A	
	NORTHWEST	4	12	8		N/A	N/A	4	17	8		58	N/A	N/A		4	8	50	N/A	N/A	
<b>Eleventh Ave @ 38th St</b>	NORTHEAST	1	15	5	10	388	A	1	15	5	15	22	92	B		1	5		92	B	
	SOUTHEAST	2	10	6	15	640	A	2	15	6	15	22	77	B		2	6		77	B	
	SOUTHWEST	3	11	7		N/A	N/A	3	22	7		22	N/A	N/A		3	7		N/A	N/A	
	NORTHWEST	4	11	8		N/A	N/A	4	17	8		22	N/A	N/A		4	8		N/A	N/A	
<b>Eleventh Ave @ 39th St</b>	NORTHEAST	1	14	5	10	777	A	1	14	5	15	31	88	B		1	5	41	85	B	
	SOUTHEAST	2	10	6	15	253	A	2	15	6	15	49	121	B		2	6	39	119	B	
	SOUTHWEST	3	12	7	13	485	A	3	12	7		31	N/A	N/A		3	7	41	N/A	N/A	
	NORTHWEST	4	11	8	15	1246	A	4	18	8		49	N/A	N/A		4	8	39	N/A	N/A	
<b>Eleventh Ave @ 40th St</b>	NORTHEAST	1	15	5	10	1527	A	1	15	5	15	22	105	B		1	5		105	B	
	SOUTHEAST	2	10	6	15	1212	A	2	15	6	15	22	145	A		2	6		145	A	
	SOUTHWEST	3	13	7	13	1568	A	3	18	7		22	N/A	N/A		3	7		N/A	N/A	
	NORTHWEST	4	13	8	13	1494	A	4	18	8		22	N/A	N/A		4	8		N/A	N/A	
<b>Eleventh Ave @ 42nd St</b>	NORTHEAST	1	16	5	16	163	A	1	16	5	16	33	77	B		1	5		77	B	
	SOUTHEAST	2	16	6	15	219	A	2	16	6	15	35	47	B		2	6		47	B	
	SOUTHWEST	3	15	7	16	208	A	3	15	7	16	33	67	B		3	7		67	B	
	NORTHWEST	4	15	8	16	167	A	4	15	8	16	35	110	B		4	8		110	B	
<b>Tenth Ave @ 29th St</b>	NORTHEAST	1	15	5	15	152	A	1	15	5	15	30	52	B		1	5		52	B	
	SOUTHEAST	2	15	6	15	127	B	2	15	6	15	50	48	B		2	6		48	B	
	SOUTHWEST	3	13	7	13	113	B	3	13	7	13	30	23	D		3	7		23	D	
	NORTHWEST	4	13	8	13	122	B	4	13	8	13	50	22	D		4	8		22	D	
<b>Tenth Ave @ 30th St</b>	NORTHEAST	1	16	5	15	103	B	1	16	5	15	30	18	D		1	5	31	18	D	
	SOUTHEAST	2	15	6	15	218	A	2	15	6	15	50	51	B		2	6	49	51	B	
	SOUTHWEST	3	13	7	14	175	A	3	13	7	14	30	19	D		3	7	31	18	D	
	NORTHWEST	4	15	8	14	98	B	4	15	8	14	50	11	E	Yes	4	8	49	11	E	Yes
<b>Tenth Ave @ 31st St</b>	NORTHEAST	1	15	5	15	117	B	1	15	5	15	30	27	C		1	5	33	28	C	
	SOUTHEAST	2	15	6	15	221	A	2	15	6	15	50	47	B		2	6	47	47	B	
	SOUTHWEST	3	13	7		N/A	N/A	3	13	7		30	N/A	N/A		3	7	33	N/A	N/A	
	NORTHWEST	4	13	8		N/A	N/A	4	13	8		50	N/A	N/A		4	8	47	N/A	N/A	
<b>Tenth Ave @ 33rd St</b>	NORTHEAST	1	15	5	15	63	B	1	15	5	15	32	14	E	Yes	1	5		14	E	Yes
	SOUTHEAST	2	15	6	15	64	B	2	15	6	15	48	10	E	Yes	2	6		10	E	Yes
	SOUTHWEST	3	13	7	13	59	B	3	13	7	13	32	3	F	Yes	3	7		3	F	Yes
	NORTHWEST	4	13	8	13	63	B	4	13	8	18	48	12	E	Yes	4	8		12	E	Yes
<b>Tenth Ave @ 34th St</b>	NORTHEAST	1	15	5	15	115	B	1	15	5	15	30	15	D		1	5	40	15	D	
	SOUTHEAST	2	15	6	15	130	A	2	15	6	15	50	9	E	Yes	2	6	40	10	E	Yes
	SOUTHWEST	3	20	7	20	151	A	3	20	7	30	30	14	E	Yes	3	7	40	14	E	Yes
	NORTHWEST	4	20	8	20	112	B	4	20	8	30	50	18	D		4	8	40	17	D	
<b>Tenth Ave @ 35th St</b>	NORTHEAST	1	16	5	15	232	A	1	16	5	15	30	19	D		1	5		19	D	
	SOUTHEAST	2	15	6	15	179	A	2	15	6	15	50	6	E	Yes	2	6		6	E	Yes
	SOUTHWEST	3	15	7	13	209	A	3	15	7	18	30	16	D		3	7		16	D	
	NORTHWEST	4	9	8	14	182	A	4	9	8	24	50	27	C		4	8		27	C	

## Appendix S.5.4

### Pedestrian Improvement Analysis - Corner Level of Service

#### 2025 Future Conditions (MD)

Intersection	Corner Location	2025 Future without the Proposed Action				2025 Future with the Proposed Action					2025 Future with the Proposed Action (Improvement)										
		Sidewalk Width for No Build Condition		Pedestrian Flow Rate (s.f./ped.)	Level of Service	Sidewalk Width for Build Condition		Pedestrian Green	Pedestrian Flow Rate (s.f./ped.)	Level of Service	Impact?	Proposed Sidewalk Width	Signal Timing	Pedestrian Flow Rate (s.f./ped.)	Level of Service	Still Impact?					
<b>Tenth Ave @ 36th St</b>	NORTHEAST	1	15	5	15	292	A	1	15	5	15	30	26	C		1	5		26	C	
	SOUTHEAST	2	16	6	15	359	A	2	16	6	15	50	20	D		2	6		20	D	
	SOUTHWEST	3	12	7	12	287	A	3	12	7	18	30	25	C		3	7		25	C	
	NORTHWEST	4	12	8	12	204	A	4	12	8	22	50	34	C		4	8		34	C	
<b>Tenth Ave @ 37th St</b>	NORTHEAST	1	15	5	15	218	A	1	15	5	15	32	13	E	Yes	1	5		13	E	Yes
	SOUTHEAST	2	15	6	15	268	A	2	15	6	15	48	21	D		2	6		21	D	
	SOUTHWEST	3	12	7	12	298	A	3	12	7	17	32	30	C		3	7		30	C	
	NORTHWEST	4	12	8	12	227	A	4	12	8	22	48	31	C		4	8		31	C	
<b>Tenth Ave @ 38th St</b>	NORTHEAST	1	15	5	15	285	A	1	15	5	15	30	15	D		1	5		15	D	
	SOUTHEAST	2	15	6	15	358	A	2	15	6	15	50	20	D		2	6		20	D	
	SOUTHWEST	3	12	7	12	399	A	3	12	7	17	30	34	C		3	7		34	C	
	NORTHWEST	4	12	8	12	326	A	4	12	8	22	50	39	C		4	8		39	C	
<b>Tenth Ave @ 39th St</b>	NORTHEAST	1	15	5	15	263	A	1	15	5	15	35	31	C		1	5		31	C	
	SOUTHEAST	2	15	6	15	283	A	2	15	6	15	45	21	D		2	6		21	D	
	SOUTHWEST	3	12	7	13	355	A	3	12	7	18	35	45	B		3	7		45	B	
	NORTHWEST	4	12	8	10	227	A	4	12	8	10	45	24	C		4	8		24	C	
<b>Tenth Ave @ 40th St</b>	NORTHEAST	1	15	5	15	325	A	1	15	5	15	36	19	D		1	5		19	D	
	SOUTHEAST	2	15	6	15	413	A	2	15	6	15	44	34	C		2	6		34	C	
	SOUTHWEST	3	12	7	13	451	A	3	12	7	13	36	53	B		3	7		53	B	
	NORTHWEST	4	12	8	13	297	A	4	12	8	18	44	48	B		4	8		48	B	
<b>Tenth Ave @ 41st St</b>	NORTHEAST	1	15	5	16	161	A	1	15	5	16	45	23	D		1	5		23	D	
	SOUTHEAST	2	16	6	10	392	A	2	16	6	10	35	27	C		2	6		27	C	
	SOUTHWEST	3	10	7	17	260	A	3	10	7	17	45	23	D		3	7		23	D	
	NORTHWEST	4	14	8	12	213	A	4	14	8	12	35	40	B		4	8		40	B	
<b>Tenth Ave @ 42nd St</b>	NORTHEAST	1	20	5	16	201	A	1	20	5	16	28	89	B		1	5		89	B	
	SOUTHEAST	2	22	6	16	185	A	2	22	6	16	52	35	C		2	6		35	C	
	SOUTHWEST	3	21	7	15	136	A	3	21	7	15	28	34	C		3	7		34	C	
	NORTHWEST	4	20	8	15	115	B	4	20	8	15	52	64	B		4	8		64	B	
<b>Dyer @ 42nd St</b>	NORTHEAST	1		5	6	N/A	N/A	1		5	6	34	N/A	N/A		1	5		N/A	N/A	
	SOUTHEAST	2		6	4	53	B	2		6	4	46	53	B		2	6		53	B	
	SOUTHWEST	3	21	7	20	123	B	3	21	7	20	34	123	B		3	7		123	B	
	NORTHWEST	4	20	8	21	N/A	N/A	4	20	8	21	46	N/A	N/A		4	8		N/A	N/A	
<b>Ninth Ave @ 30th St</b>	NORTHEAST	1	16	5	16	44	B	1	16	5	16	36	19	D		1	5		19	D	
	SOUTHEAST	2	15	6	16	62	B	2	15	6	16	44	31	C		2	6		31	C	
	SOUTHWEST	3	13	7	14	67	B	3	13	7	14	36	30	C		3	7		30	C	
	NORTHWEST	4	13	8	12	53	B	4	13	8	12	44	20	D		4	8		20	D	
<b>Ninth Ave @ 31st St</b>	NORTHEAST	1	15	5	15	13	E	1	20	5	15	30	7	E	Yes	1	5		7	E	Yes
	SOUTHEAST	2	13	6	15	26	C	2	13	6	15	50	16	D		2	6		16	D	
	SOUTHWEST	3	13	7	13	39	C	3	13	7	13	30	20	D		3	7		20	D	
	NORTHWEST	4	13	8	13	30	C	4	13	8	13	50	23	D		4	8		23	D	
<b>Ninth Ave @ 33rd St</b>	NORTHEAST	1	15	5	15	18	D	1	15	5	15	30	8	E	Yes	1	5		8	E	Yes
	SOUTHEAST	2	15	6	15	12	E	2	15	6	20	50	4	F	Yes	2	6		4	F	Yes
	SOUTHWEST	3	13	7	13	16	D	3	13	7	18	30	19	D		3	7		19	D	
	NORTHWEST	4	13	8	13	27	C	4	13	8	13	50	10	E	Yes	4	8		10	E	Yes

## Appendix S.5.4

### Pedestrian Improvement Analysis - Corner Level of Service

#### 2025 Future Conditions (MD)

Intersection	Corner Location	2025 Future without the Proposed Action				2025 Future with the Proposed Action					2025 Future with the Proposed Action (Improvement)												
		Sidewalk Width for No Build Condition		Pedestrian Flow Rate (s.f./ped.)	Level of Service	Sidewalk Width for Build Condition		Pedestrian Green	Pedestrian Flow Rate (s.f./ped.)	Level of Service	Impact?	Proposed Sidewalk Width	Signal Timing	Pedestrian Flow Rate (s.f./ped.)	Level of Service	Still Impact?							
<b>Ninth Ave @ 34th St</b>	NORTHEAST	1	15	5	15	43	B	1	15	5	15	30	22	D		1	5			22	D		
	SOUTHEAST	2	15	6	15	43	B	2	15	6	15	35	17	D		2	6			17	D		
	SOUTHWEST	3	23	7	20	46	B	3	23	7	20	30	13	E	Yes	3	7			13	E	Yes	
	NORTHWEST	4	23	8	20	40	B	4	23	8	20	35	16	D		4	8			16	D		
<b>Ninth Ave @ 37th St</b>	NORTHEAST	1	15	5	15	61	B	1	15	5	15	30	17	D		1	5			17	D		
	SOUTHEAST	2	15	6	15	65	B	2	15	6	15	50	20	D		2	6			20	D		
	SOUTHWEST	3	12	7	12	68	B	3	12	7	12	30	23	D		3	7			23	D		
	NORTHWEST	4	12	8	12	50	B	4	12	8	12	50	15	D		4	8			15	D		
<b>Ninth Ave @ 38th St</b>	NORTHEAST	1	15	5	15	139	A	1	15	5	15	30	23	D		1	5			31	23	D	
	SOUTHEAST	2	15	6	15	130	A	2	15	6	15	50	23	D		2	6			49	23	D	
	SOUTHWEST	3	11	7	11	156	A	3	11	7	11	30	32	C		3	7			31	32	C	
	NORTHWEST	4	11	8	11	142	A	4	11	8	11	50	30	C		4	8			49	30	C	
<b>Ninth Ave @ 39th St</b>	NORTHEAST	1	15	5	15	92	B	1	15	5	15	30	30	C		1	5			30	C		
	SOUTHEAST	2	15	6	15	78	B	2	15	6	15	50	24	C		2	6			24	C		
	SOUTHWEST	3	12	7	12	152	A	3	12	7	12	30	45	B		3	7			45	B		
	NORTHWEST	4	12	8	12	188	A	4	12	8	12	50	62	B		4	8			62	B		
<b>Ninth Ave @ 42nd St</b>	NORTHEAST	1	16	5	14	11	E	1	16	5	14	29	5	F	Yes	1	5			28	5	F	Yes
	SOUTHEAST	2	10	6	15	53	B	2	10	6	15	35	29	C		2	6			29	C		
	SOUTHWEST	3	11	7	20	66	B	3	11	7	20	29	37	C		3	7			28	37	C	
	NORTHWEST	4	19	8	21	74	B	4	19	8	21	35	52	B		4	8			52	B		
<b>Eighth Ave @ 30th St</b>	NORTHEAST	1	14	5	15	72	B	1	14	5	15	40	33	C		1	5			33	C		
	SOUTHEAST	2	15	6	14	91	B	2	15	6	14	40	42	B		2	6			42	B		
	SOUTHWEST	3	13	7	14	88	B	3	13	7	14	40	62	B		3	7			62	B		
	NORTHWEST	4	14	8	13	78	B	4	14	8	13	40	55	B		4	8			55	B		
<b>Eighth Ave @ 31st St</b>	NORTHEAST	1	16	5	15	259	A	1	16	5	15	40	34	C		1	5			34	C		
	SOUTHEAST	2	24	6	15	55	B	2	20	6	15	40	19	D		2	6			19	D		
	SOUTHWEST	3	49	7	13	41	B	3	18	7	13	40	28	C		3	7			28	C		
	NORTHWEST	4	14	8	24	59	B	4	14	8	24	40	47	B		4	8			47	B		
<b>Eighth Ave @ 33rd St</b>	NORTHEAST	1	15	5	43	36	C	1	15	5	20	47	17	D		1	5			40	18	D	
	SOUTHEAST	2	19	6	16	206	A	2	19	6	16	33	16	D		2	6			40	16	D	
	SOUTHWEST	3	17	7	24	24	C	3	17	7	24	47	21	D		3	7			40	21	D	
	NORTHWEST	4	43	8	14	14	E	4	18	8	14	33	11	E	Yes	4	8			40	11	E	Yes
<b>Eighth Ave @ 34th St</b>	NORTHEAST	1	15	5	15	35	C	1	15	5	15	40	21	D		1	5			32	19	D	
	SOUTHEAST	2	15	6	15	47	B	2	15	6	15	40	26	C		2	6			32	23	D	
	SOUTHWEST	3	22	7	22	35	C	3	22	7	22	40	30	C		3	7			32	27	C	
	NORTHWEST	4	22	8	22	25	C	4	22	8	22	40	22	D		4	8			32	19	D	
<b>Eighth Ave @ 37th St</b>	NORTHEAST	1	15	5	15	30	C	1	15	5	15	40	24	C		1	5			24	C		
	SOUTHEAST	2	15	6	15	28	C	2	15	6	15	40	21	D		2	6			21	D		
	SOUTHWEST	3	12	7	12	22	D	3	12	7	12	40	18	D		3	7			18	D		
	NORTHWEST	4	12	8	13	28	C	4	12	8	13	40	24	C		4	8			24	C		
<b>Eighth Ave @ 38th St</b>	NORTHEAST	1	15	5	15	46	B	1	15	5	15	40	40	B		1	5			40	B		
	SOUTHEAST	2	15	6	15	39	C	2	15	6	15	40	33	C		2	6			33	C		
	SOUTHWEST	3	12	7	11	45	B	3	12	7	11	40	33	C		3	7			33	C		
	NORTHWEST	4	12	8	11	42	B	4	12	8	11	40	33	C		4	8			33	C		

## Appendix S.5.4

### Pedestrian Improvement Analysis - Corner Level of Service

#### 2025 Future Conditions (MD)

Intersection	Corner Location	2025 Future without the Proposed Action				2025 Future with the Proposed Action					2025 Future with the Proposed Action (Improvement)											
		Sidewalk Width for No Build Condition		Pedestrian Flow Rate (s.f./ped.)	Level of Service	Sidewalk Width for Build Condition		Pedestrian Green	Pedestrian Flow Rate (s.f./ped.)	Level of Service	Impact?	Proposed Sidewalk Width	Signal Timing	Pedestrian Flow Rate (s.f./ped.)	Level of Service	Still Impact?						
<b>Eighth Ave @ 39th St</b>	NORTHEAST	1	15	5	15	26	C	1	15	5	15	40	23	D		1	5		23	D		
	SOUTHEAST	2	15	6	15	8	E	2	15	6	15	40	7	E	Yes	2	6		7	E	Yes	
	SOUTHWEST	3	12	7	12	13	E	3	12	7	12	40	11	E	Yes	3	7		11	E	Yes	
	NORTHWEST	4	12	8	12	22	D	4	12	8	12	40	17	D		4	8		17	D		
<b>Eighth Ave @ 42nd St</b>	NORTHEAST	1	15	5	12	38	C	1	15	5	12	25	35	C		1	5		35	C		
	SOUTHEAST	2	16	6	29	7	E	2	16	6	29	35	5	F	Yes	2	6		5	F	Yes	
	SOUTHWEST	3	23	7	34	120	B	3	23	7	34	25	108	B		3	7		108	B		
	NORTHWEST	4	16	8	20	34	C	4	16	8	20	35	31	C		4	8		31	C		
<b>Seventh Ave @ 31st St</b>	NORTHEAST	1	23	5	20	38	C	1	23	5	20	38	29	C		1	5		29	C		
	SOUTHEAST	2	23	6	20	46	B	2	23	6	20	42	36	C		2	6		36	C		
	SOUTHWEST	3	13	7	13	63	B	3	13	7	13	38	36	C		3	7		36	C		
	NORTHWEST	4	13	8	18	79	B	4	13	8	18	42	50	B		4	8		50	B		
<b>Seventh Ave @ 33rd St</b>	NORTHEAST	1	20	5	20	23	D	1	20	5	20	22	19	D		1	5		24	20	D	
	SOUTHEAST	2	20	6	40	19	D	2	20	6	40	58	15	D		2	6		56	15	D	
	SOUTHWEST	3	13	7	40	195	A	3	13	7	40	22	152	A		3	7		24	152	A	
	NORTHWEST	4	13	8	15	30	C	4	13	8	15	58	22	D		4	8		56	23	D	
<b>Seventh Ave @ 34th St</b>	NORTHEAST	1	20	5	20	40	B	1	20	5	20	35	37	C		1	5		39	37	C	
	SOUTHEAST	2	20	6	20	52	B	2	20	6	20	44	47	B		2	6		40	47	B	
	SOUTHWEST	3	23	7	23	54	B	3	23	7	23	35	47	B		3	7		39	47	B	
	NORTHWEST	4	23	8	23	36	C	4	23	8	23	44	33	C		4	8		40	34	C	
<b>Sixth Ave @ 33rd St</b>	NORTHEAST	1	34	5	27	50	B	1	34	5	27	27	48	B		1	5		48	B		
	SOUTHEAST	2	28	6	24	51	B	2	28	6	24	90	48	B		2	6		48	B		
	SOUTHWEST	3	13	7	13	31	C	3	13	7	13	27	29	C		3	7		29	C		
	NORTHWEST	4	13	8	13	53	B	4	13	8	13	39	52	B		4	8		52	B		
<b>Sixth Ave @ 34th St</b>	NORTHEAST	1		5	17	15	D	1		5	17	27	15	D		1	5		15	D		
	SOUTHEAST	2	17	6		17	D	2	17	6		53	17	D		2	6		17	D		
	SOUTHWEST	3	23	7		N/A	N/A	3	23	7		27	N/A	N/A		3	7		N/A	N/A	N/A	
	NORTHWEST	4	23	8		N/A	N/A	4	23	8		53	N/A	N/A		4	8		N/A	N/A	N/A	
<b>Broadway @ 34th St</b>	NORTHEAST	1	30	5		N/A	N/A	1	30	5		27	N/A	N/A		1	5		N/A	N/A		
	SOUTHEAST	2		6	30	N/A	N/A	2		6	30	53	N/A	N/A		2	6		N/A	N/A		
	SOUTHWEST	3		7	23	28	C	3		7	23	27	26	C		3	7		26	C		
	NORTHWEST	4		8	23	26	C	4		8	23	53	25	C		4	8		25	C		
<b>Blvd @ 33rd St</b>	NORTHEAST					N/A	N/A	1	15	5		45	24	C		1	5		24	C		
	SOUTHEAST					N/A	N/A	2	18	6		45	N/A	N/A		2	6		N/A	N/A		
	SOUTHWEST					N/A	N/A	3	18	7	13	45	N/A	N/A		3	7		N/A	N/A		
	NORTHWEST					N/A	N/A	4	13	8	18	45	23	D		4	8		23	D		
<b>Blvd @ 34th St</b>	NORTHEAST					N/A	N/A	1	18	5	18	30	50	B		1	5		50	B		
	SOUTHEAST					N/A	N/A	2	18	6	18	50	53	B		2	6		53	B		
	SOUTHWEST					N/A	N/A	3	30	7	30	30	50	B		3	7		50	B		
	NORTHWEST					N/A	N/A	4	30	8	30	50	48	B		4	8		48	B		
<b>N.Blvd @ 35th St</b>	NORTHEAST					N/A	N/A	1		5	18	40	40	B		1	5		40	B		
	SOUTHEAST					N/A	N/A	2	18	6	18	40	29	C		2	6		29	C		
	SOUTHWEST					N/A	N/A	3	24	7	18	40	76	B		3	7		76	B		
	NORTHWEST					N/A	N/A	4	18	8		40	N/A	N/A		4	8		N/A	N/A		

## Appendix S.5.4

### Pedestrian Improvement Analysis - Corner Level of Service

#### 2025 Future Conditions (MD)

Intersection	Corner Location	2025 Future without the Proposed Action			2025 Future with the Proposed Action					2025 Future with the Proposed Action (Improvement)				
		Sidewalk Width for No Build Condition	Pedestrian Flow Rate (s.f./ped.)	Level of Service	Sidewalk Width for Build Condition	Pedestrian Green	Pedestrian Flow Rate (s.f./ped.)	Level of Service	Impact?	Proposed Sidewalk Width	Signal Timing	Pedestrian Flow Rate (s.f./ped.)	Level of Service	Still Impact?
<b>N.Blvd @ 36th St</b>	NORTHEAST			N/A	N/A									
	SOUTHEAST			N/A	N/A	1	5	18	40	68	B			
	SOUTHWEST			N/A	N/A	2	18	6	40	44	B			
	NORTHWEST			N/A	N/A	3	22	7	40	N/A	N/A			
				N/A	N/A	4	18	8	40	N/A	N/A			
<b>N.Blvd @ 37th St</b>	NORTHEAST			N/A	N/A									
	SOUTHEAST			N/A	N/A	1	5	18	32	51	B			
	SOUTHWEST			N/A	N/A	2	18	6	48	64	B			
	NORTHWEST			N/A	N/A	3	22	7	32	N/A	N/A			
				N/A	N/A	4	17	8	48	N/A	N/A			
<b>Blvd @ 38th St</b>	NORTHEAST			N/A	N/A									
	SOUTHEAST			N/A	N/A	1	18	5	18	40	63	B		
	SOUTHWEST			N/A	N/A	2	18	6	18	40	56	B		
	NORTHWEST			N/A	N/A	3	22	7	17	40	38	C		
				N/A	N/A	4	17	8	22	40	43	B		
<b>S.Blvd @ 35th St</b>	NORTHEAST			N/A	N/A									
	SOUTHEAST			N/A	N/A	1	18	5	30	N/A	N/A			
	SOUTHWEST			N/A	N/A	2	6	18	50	N/A	N/A			
	NORTHWEST			N/A	N/A	3	7	18	30	N/A	N/A			
				N/A	N/A	4	8	24	50	30	C			
<b>S.Blvd @ 36th St</b>	NORTHEAST			N/A	N/A									
	SOUTHEAST			N/A	N/A	1	18	5	30	N/A	N/A			
	SOUTHWEST			N/A	N/A	2	6	18	50	N/A	N/A			
	NORTHWEST			N/A	N/A	3	7	18	30	32	C			
				N/A	N/A	4	8	22	50	45	B			
<b>S.Blvd @ 37th St</b>	NORTHEAST			N/A	N/A									
	SOUTHEAST			N/A	N/A	1	18	5	32	N/A	N/A			
	SOUTHWEST			N/A	N/A	2	6	18	48	N/A	N/A			
	NORTHWEST			N/A	N/A	3	7	17	32	38	C			
				N/A	N/A	4	8	22	48	35	C			

## Appendix S.5.4

### Pedestrian Improvement Analysis - Corner Level of Service

#### 2025 Future Conditions (PM)

Intersection	Corner Location	2025 Future without the Proposed Action				2025 Future with the Proposed Action					2025 Future with the Proposed Action (Improvement)								
		Sidewalk Width for No Build Condition		Pedestrian Flow Rate (s.f./ped.)	Level of Service	Sidewalk Width for Build Condition		Signal Timing	Pedestrian Flow Rate (s.f./ped.)	Level of Service	Impact?	Proposed Sidewalk Width Improvement	Signal Timing	Pedestrian Flow Rate (s.f./ped.)	Level of Service	Still Impact?			
<b>Twelfth Ave @ 30th St</b>	NORTHEAST	1	5	15	2995	A	1	5	15	18	1994	A		1	5		1994	A	
	SOUTHEAST	2	11	6	5092	A	2	11	6	78	2362	A		2	6	77	2362	A	
	SOUTHWEST	3	13	7	N/A	N/A	3	13	7	18	N/A	N/A		3	7		N/A	N/A	
	NORTHWEST	4	13	8	N/A	N/A	4	13	8	78	N/A	N/A		4	8	77	N/A	N/A	
<b>Twelfth Ave @ 34th St</b>	NORTHEAST	1	5	12	1541	A	1	5	12	29	1343	A		1	5	35	1343	A	
	SOUTHEAST	2	12	6	361	A	2	12	6	67	337	A		2	6	56	339	A	
	SOUTHWEST	3	18	7	N/A	N/A	3	18	7	29	N/A	N/A		3	7	35	N/A	N/A	
	NORTHWEST	4	18	8	N/A	N/A	4	18	8	67	N/A	N/A		4	8	56	N/A	N/A	
<b>Twelfth Ave @ 39th St</b>	NORTHEAST	1	5	18	6202	A	1	5	18	30	N/A	N/A		1	5		N/A	N/A	
	SOUTHEAST	2	13	6	659	A	2	13	6	53	N/A	N/A		2	6	68	N/A	N/A	
	SOUTHWEST	3	13	7	N/A	N/A	3	7		30	N/A	N/A		3	7		N/A	N/A	
	NORTHWEST	4	13	8	N/A	N/A	4	8		53	N/A	N/A		4	8	68	N/A	N/A	
<b>Twelfth Ave @ 40th St</b>	NORTHEAST	1	5	14	6298	A	1	5	14	0	N/A	N/A		1	5		N/A	N/A	
	SOUTHEAST	2	13	6	5478	A	2	13	6	66	N/A	N/A		2	6		N/A	N/A	
	SOUTHWEST	3	11	7	N/A	N/A	3	7		0	N/A	N/A		3	7		N/A	N/A	
	NORTHWEST	4	12	8	N/A	N/A	4	8		66	N/A	N/A		4	8		N/A	N/A	
<b>Twelfth Ave @ 42nd St</b>	NORTHEAST	1	5	20	391	A	1	5	20	33	394	A		1	5	31	393	A	
	SOUTHEAST	2	20	6	906	A	2	20	6	60	921	A		2	6	59	920	A	
	SOUTHWEST	3	15	7	N/A	N/A	3	15	7	33	N/A	N/A		3	7	31	N/A	N/A	
	NORTHWEST	4	26	8	N/A	N/A	4	26	8	60	N/A	N/A		4	8	59	N/A	N/A	
<b>Eleventh Ave @ 29th St</b>	NORTHEAST	1	15	5	703	A	1	15	5	15	128	B		1	5		130	A	
	SOUTHEAST	2	15	6	620	A	2	15	6	15	194	A		2	6		194	A	
	SOUTHWEST	3	13	7	1262	A	3	13	7	13	40	329	A		3	7		329	A
	NORTHWEST	4	13	8	1364	A	4	13	8	13	40	236	A		4	8		240	A
<b>Eleventh Ave @ 30th St</b>	NORTHEAST	1	15	5	594	A	1	15	5	15	152	A		1	5		152	A	
	SOUTHEAST	2	15	6	817	A	2	20	6	15	40	122	B		2	6		122	B
	SOUTHWEST	3	13	7	1025	A	3	13	7	13	40	156	A		3	7		156	A
	NORTHWEST	4	13	8	642	A	4	13	8	13	40	124	B		4	8		124	B
<b>Eleventh Ave @ 33rd St</b>	NORTHEAST	1	15	5	443	A	1	15	5	20	25	184	A		1	5	27	184	A
	SOUTHEAST	2	15	6	940	A	2	20	6	15	55	131	A		2	6	53	131	A
	SOUTHWEST	3	13	7	4118	A	3	18	7		25	N/A	N/A		3	7	27	N/A	N/A
	NORTHWEST	4	13	8	4112	A	4	13	8		55	N/A	N/A		4	8	53	N/A	N/A
<b>Eleventh Ave @ 34th St</b>	NORTHEAST	1	15	5	350	A	1	15	5	20	24	184	A		1	5	21	180	A
	SOUTHEAST	2	12	6	458	A	2	17	6	15	56	187	A		2	6	38	184	A
	SOUTHWEST	3	20	7	519	A	3	30	7	20	24	79	B		3	7	21	76	B
	NORTHWEST	4	20	8	478	A	4	30	8	20	56	99	B		4	8	38	96	B
<b>Eleventh Ave @ 35th St</b>	NORTHEAST	1	19	5	1082	A	1	19	5	16	40	250	A		1	5	45	249	A
	SOUTHEAST	2	15	6	837	A	2	15	6	15	40	169	A		2	6	35	168	A
	SOUTHWEST	3	14	7	N/A	N/A	3	24	7		40	N/A	N/A		3	7	45	N/A	N/A
	NORTHWEST	4	14	8	N/A	N/A	4	19	8		40	N/A	N/A		4	8	35	N/A	N/A
<b>Eleventh Ave @ 36th St</b>	NORTHEAST	1	15	5	588	A	1	15	5	20	22	164	A		1	5		164	A
	SOUTHEAST	2	9	6	640	A	2	15	6	17	22	122	B		2	6		122	B
	SOUTHWEST	3	13	7	N/A	N/A	3	22	7		22	N/A	N/A		3	7		N/A	N/A
	NORTHWEST	4	10	8	N/A	N/A	4	18	8		22	N/A	N/A		4	8		N/A	N/A

## Appendix S.5.4

### Pedestrian Improvement Analysis - Corner Level of Service

#### 2025 Future Conditions (PM)

Intersection	Corner Location	2025 Future without the Proposed Action				2025 Future with the Proposed Action					2025 Future with the Proposed Action (Improvement)										
		Sidewalk Width for No Build Condition		Pedestrian Flow Rate (s.f./ped.)	Level of Service	Sidewalk Width for Build Condition		Signal Timing	Pedestrian Flow Rate (s.f./ped.)	Level of Service	Impact?	Proposed Sidewalk Width Improvement	Signal Timing	Pedestrian Flow Rate (s.f./ped.)	Level of Service	Still Impact?					
<b>Eleventh Ave @ 37th St</b>	NORTHEAST	1	15	5	10	471	A	1	15	5	15	22	151	A		1	5	47	149	A	
	SOUTHEAST	2	10	6	15	570	A	2	15	6	15	58	116	B		2	6	33	107	B	
	SOUTHWEST	3	12	7		N/A	N/A	3	22	7		22	N/A	N/A		3	7	47	N/A	N/A	
	NORTHWEST	4	12	8		N/A	N/A	4	17	8		58	N/A	N/A		4	8	33	N/A	N/A	
<b>Eleventh Ave @ 38th St</b>	NORTHEAST	1	15	5	10	3458	A	1	15	5	15	22	198	A		1	5		198	A	
	SOUTHEAST	2	10	6	15	1231	A	2	15	6	15	22	111	B		2	6		111	B	
	SOUTHWEST	3	11	7		N/A	N/A	3	22	7		22	N/A	N/A		3	7		N/A	N/A	
	NORTHWEST	4	11	8		N/A	N/A	4	17	8		22	N/A	N/A		4	8		N/A	N/A	
<b>Eleventh Ave @ 39th St</b>	NORTHEAST	1	14	5	10	1921	A	1	14	5	15	31	97	B		1	5		97	B	
	SOUTHEAST	2	10	6	15	295	A	2	15	6	15	49	103	B		2	6		103	B	
	SOUTHWEST	3	12	7	13	616	A	3	12	7		31	N/A	N/A		3	7		N/A	N/A	
	NORTHWEST	4	11	8	15	3353	A	4	18	8		49	N/A	N/A		4	8		N/A	N/A	
<b>Eleventh Ave @ 40th St</b>	NORTHEAST	1	15	5	10	4588	A	1	15	5	15	22	93	B		1	5		93	B	
	SOUTHEAST	2	10	6	15	819	A	2	15	6	15	22	117	B		2	6		117	B	
	SOUTHWEST	3	13	7	13	835	A	3	18	7		22	N/A	N/A		3	7		N/A	N/A	
	NORTHWEST	4	13	8	13	1568	A	4	18	8		22	N/A	N/A		4	8		N/A	N/A	
<b>Eleventh Ave @ 42nd St</b>	NORTHEAST	1	16	5	16	160	A	1	16	5	16	33	77	B		1	5	35	77	B	
	SOUTHEAST	2	16	6	15	217	A	2	16	6	15	35	42	B		2	6	31	43	B	
	SOUTHWEST	3	15	7	16	177	A	3	15	7	16	33	59	B		3	7	35	59	B	
	NORTHWEST	4	15	8	16	149	A	4	15	8	16	35	88	B		4	8	31	88	B	
<b>Tenth Ave @ 29th St</b>	NORTHEAST	1	15	5	15	269	A	1	15	5	15	30	144	A		1	5		144	A	
	SOUTHEAST	2	15	6	15	213	A	2	15	6	15	50	133	A		2	6		133	A	
	SOUTHWEST	3	13	7	13	154	A	3	13	7	13	30	73	B		3	7		73	B	
	NORTHWEST	4	13	8	13	169	A	4	13	8	13	50	73	B		4	8		73	B	
<b>Tenth Ave @ 30th St</b>	NORTHEAST	1	16	5	15	285	A	1	16	5	15	30	82	B		1	5	32	82	B	
	SOUTHEAST	2	15	6	15	409	A	2	15	6	15	50	153	A		2	6	48	154	A	
	SOUTHWEST	3	13	7	14	275	A	3	13	7	14	30	82	B		3	7	32	82	B	
	NORTHWEST	4	15	8	14	231	A	4	15	8	14	50	61	B		4	8	48	61	B	
<b>Tenth Ave @ 31st St</b>	NORTHEAST	1	15	5	15	393	A	1	15	5	15	30	44	B		1	5	43	43	B	
	SOUTHEAST	2	15	6	15	421	A	2	15	6	15	50	108	B		2	6	37	108	B	
	SOUTHWEST	3	13	7		N/A	N/A	3	13	7		30	N/A	N/A		3	7	43	N/A	N/A	
	NORTHWEST	4	13	8		N/A	N/A	4	13	8		50	N/A	N/A		4	8	37	N/A	N/A	
<b>Tenth Ave @ 33rd St</b>	NORTHEAST	1	15	5	15	303	A	1	15	5	15	32	14	E	Yes	1	5	34	14	E	Yes
	SOUTHEAST	2	15	6	15	207	A	2	15	6	15	48	9	E	Yes	2	6	46	10	E	Yes
	SOUTHWEST	3	13	7	13	203	A	3	13	7	13	32	1	F	Yes	3	7	34	1	F	Yes
	NORTHWEST	4	13	8	13	304	A	4	13	8	18	48	13	E	Yes	4	8	46	13	E	Yes
<b>Tenth Ave @ 34th St</b>	NORTHEAST	1	15	5	15	216	A	1	15	5	15	30	25	C		1	5	42	24	C	
	SOUTHEAST	2	15	6	15	189	A	2	15	6	15	50	19	D		2	6	38	19	D	
	SOUTHWEST	3	20	7	20	216	A	3	20	7	30	30	21	D		3	7	42	25	C	
	NORTHWEST	4	20	8	20	222	A	4	20	8	30	50	33	C		4	8	38	35	C	
<b>Tenth Ave @ 35th St</b>	NORTHEAST	1	16	5	15	343	A	1	16	5	15	30	45	B		1	5		45	B	
	SOUTHEAST	2	15	6	15	275	A	2	15	6	15	50	22	D		2	6		22	D	
	SOUTHWEST	3	15	7	13	362	A	3	15	7	18	30	38	C		3	7		38	C	
	NORTHWEST	4	9	8	14	336	A	4	9	8	24	50	60	B		4	8		60	B	

## Appendix S.5.4

### Pedestrian Improvement Analysis - Corner Level of Service

#### 2025 Future Conditions (PM)

Intersection	Corner Location	2025 Future without the Proposed Action				2025 Future with the Proposed Action					2025 Future with the Proposed Action (Improvement)											
		Sidewalk Width for No Build Condition		Pedestrian Flow Rate (s.f./ped.)	Level of Service	Sidewalk Width for Build Condition		Signal Timing	Pedestrian Flow Rate (s.f./ped.)	Level of Service	Impact?	Proposed Sidewalk Width Improvement	Signal Timing	Pedestrian Flow Rate (s.f./ped.)	Level of Service	Still Impact?						
<b>Tenth Ave @ 36th St</b>	NORTHEAST	1	15	5	15	485	A	1	15	5	15	30	58	B		1	5		58	B		
	SOUTHEAST	2	16	6	15	246	A	2	16	6	15	50	54	B		2	6		54	B		
	SOUTHWEST	3	12	7	12	192	A	3	12	7	18	30	66	B		3	7		66	B		
	NORTHWEST	4	12	8	12	314	A	4	12	8	22	50	81	B		4	8		81	B		
<b>Tenth Ave @ 37th St</b>	NORTHEAST	1	15	5	15	384	A	1	15	5	15	32	42	B		1	5		35	42	B	
	SOUTHEAST	2	15	6	15	582	A	2	15	6	15	48	41	B		2	6		45	41	B	
	SOUTHWEST	3	12	7	12	575	A	3	12	7	17	32	53	B		3	7		35	53	B	
	NORTHWEST	4	12	8	12	475	A	4	12	8	22	48	87	B		4	8		45	88	B	
<b>Tenth Ave @ 38th St</b>	NORTHEAST	1	15	5	15	599	A	1	15	5	15	30	48	B		1	5		48	B		
	SOUTHEAST	2	15	6	15	575	A	2	15	6	15	50	51	B		2	6		51	B		
	SOUTHWEST	3	12	7	12	606	A	3	12	7	17	30	69	B		3	7		69	B		
	NORTHWEST	4	12	8	12	663	A	4	12	8	22	50	90	B		4	8		90	B		
<b>Tenth Ave @ 39th St</b>	NORTHEAST	1	15	5	15	455	A	1	15	5	15	35	44	B		1	5		33	44	B	
	SOUTHEAST	2	15	6	15	362	A	2	15	6	15	45	35	C		2	6		47	35	C	
	SOUTHWEST	3	12	7	13	418	A	3	12	7	18	35	62	B		3	7		33	61	B	
	NORTHWEST	4	12	8	10	361	A	4	12	8	10	45	25	C		4	8		47	25	C	
<b>Tenth Ave @ 40th St</b>	NORTHEAST	1	15	5	15	383	A	1	15	5	15	36	30	C		1	5		31	31	C	
	SOUTHEAST	2	15	6	15	638	A	2	15	6	15	44	44	B		2	6		49	46	B	
	SOUTHWEST	3	12	7	13	858	A	3	12	7	13	36	58	B		3	7		31	60	B	
	NORTHWEST	4	12	8	13	605	A	4	12	8	18	44	68	B		4	8		49	68	B	
<b>Tenth Ave @ 41st St</b>	NORTHEAST	1	15	5	16	191	A	1	15	5	16	45	50	B		1	5		35	50	B	
	SOUTHEAST	2	16	6	10	496	A	2	16	6	10	35	34	C		2	6		45	34	C	
	SOUTHWEST	3	10	7	17	518	A	3	10	7	17	45	24	C		3	7		35	23	D	
	NORTHWEST	4	14	8	12	271	A	4	14	8	12	35	68	B		4	8		45	69	B	
<b>Tenth Ave @ 42nd St</b>	NORTHEAST	1	20	5	16	182	A	1	20	5	16	28	118	B		1	5		118	B		
	SOUTHEAST	2	22	6	16	154	A	2	22	6	16	52	39	C		2	6		39	C		
	SOUTHWEST	3	21	7	15	169	A	3	21	7	15	28	43	B		3	7		43	B		
	NORTHWEST	4	20	8	15	117	B	4	20	8	15	52	75	B		4	8		75	B		
<b>Dyer @ 42nd St</b>	NORTHEAST	1		5	6	N/A	N/A	1		5	6	34	N/A	N/A		1	5		N/A	N/A		
	SOUTHEAST	2		6	4	27	C	2		6	4	46	30	C		2	6		30	C		
	SOUTHWEST	3	21	7	20	64	B	3	21	7	20	34	69	B		3	7		69	B		
	NORTHWEST	4	20	8	21	N/A	N/A	4	20	8	21	46	N/A	N/A		4	8		N/A	N/A		
<b>Ninth Ave @ 30th St</b>	NORTHEAST	1	16	5	16	125	B	1	16	5	16	36	74	B		1	5		74	B		
	SOUTHEAST	2	15	6	16	137	A	2	15	6	16	44	89	B		2	6		89	B		
	SOUTHWEST	3	13	7	14	157	A	3	13	7	14	36	101	B		3	7		101	B		
	NORTHWEST	4	13	8	12	173	A	4	13	8	12	44	92	B		4	8		92	B		
<b>Ninth Ave @ 31st St</b>	NORTHEAST	1	15	5	15	40	B	1	20	5	15	30	24	C		1	5		35	24	C	
	SOUTHEAST	2	13	6	15	69	B	2	13	6	15	50	48	B		2	6		45	48	B	
	SOUTHWEST	3	13	7	13	117	B	3	13	7	13	30	63	B		3	7		35	63	B	
	NORTHWEST	4	13	8	13	55	B	4	13	8	13	50	32	C		4	8		45	33	C	
<b>Ninth Ave @ 33rd St</b>	NORTHEAST	1	15	5	15	34	C	1	15	5	15	30	13	E	Yes	1	5		35	13	E	Yes
	SOUTHEAST	2	15	6	15	18	D	2	15	6	20	50	6	E	Yes	2	6		45	6	E	Yes
	SOUTHWEST	3	13	7	13	15	D	3	13	7	18	30	12	E	Yes	3	7		35	13	E	Yes
	NORTHWEST	4	13	8	13	47	B	4	13	8	13	50	10	E	Yes	4	8		45	10	E	Yes



## Appendix S.5.4

### Pedestrian Improvement Analysis - Corner Level of Service

#### 2025 Future Conditions (PM)

Intersection	Corner Location	2025 Future without the Proposed Action				2025 Future with the Proposed Action					2025 Future with the Proposed Action (Improvement)										
		Sidewalk Width for No Build Condition		Pedestrian Flow Rate (s.f./ped.)	Level of Service	Sidewalk Width for Build Condition		Signal Timing	Pedestrian Flow Rate (s.f./ped.)	Level of Service	Impact?	Proposed Sidewalk Width Improvement	Signal Timing	Pedestrian Flow Rate (s.f./ped.)	Level of Service	Still Impact?					
<b>Ninth Ave @ 34th St</b>	NORTHEAST	1	15	5	15	39	C	1	15	5	15	30	24	C		1	5	39	23	D	
	SOUTHEAST	2	15	6	15	49	B	2	15	6	15	35	25	C		2	6	24	24	C	
	SOUTHWEST	3	23	7	20	43	B	3	23	7	20	30	13	E	Yes	3	7	39	14	E	Yes
	NORTHWEST	4	23	8	20	31	C	4	23	8	20	35	12	E	Yes	4	8	24	14	E	Yes
<b>Ninth Ave @ 37th St</b>	NORTHEAST	1	15	5	15	64	B	1	15	5	15	30	34	C		1	5		34	C	
	SOUTHEAST	2	15	6	15	66	B	2	15	6	15	50	37	C		2	6		37	C	
	SOUTHWEST	3	12	7	12	72	B	3	12	7	12	30	38	C		3	7		38	C	
	NORTHWEST	4	12	8	12	51	B	4	12	8	12	50	27	C		4	8		27	C	
<b>Ninth Ave @ 38th St</b>	NORTHEAST	1	15	5	15	95	B	1	15	5	15	30	40	B		1	5		40	B	
	SOUTHEAST	2	15	6	15	99	B	2	15	6	15	50	38	C		2	6		38	C	
	SOUTHWEST	3	11	7	11	190	A	3	11	7	11	30	62	B		3	7		62	B	
	NORTHWEST	4	11	8	11	172	A	4	11	8	11	50	62	B		4	8		62	B	
<b>Ninth Ave @ 39th St</b>	NORTHEAST	1	15	5	15	63	B	1	15	5	15	30	37	C		1	5		37	C	
	SOUTHEAST	2	15	6	15	60	B	2	15	6	15	50	32	C		2	6		32	C	
	SOUTHWEST	3	12	7	12	116	B	3	12	7	12	30	62	B		3	7		62	B	
	NORTHWEST	4	12	8	12	117	B	4	12	8	12	50	66	B		4	8		66	B	
<b>Ninth Ave @ 42nd St</b>	NORTHEAST	1	16	5	14	5	F	1	16	5	14	29	3	F	Yes	1	5	31	3	F	Yes
	SOUTHEAST	2	10	6	15	49	B	2	10	6	15	35	32	C		2	6	34	32	C	
	SOUTHWEST	3	11	7	20	58	B	3	11	7	20	29	39	C		3	7	31	39	C	
	NORTHWEST	4	19	8	21	51	B	4	19	8	21	35	41	B		4	8	34	42	B	
<b>Eighth Ave @ 30th St</b>	NORTHEAST	1	14	5	15	65	B	1	14	5	15	38	38	C		1	5	42	37	C	
	SOUTHEAST	2	15	6	14	89	B	2	15	6	14	42	54	B		2	6	38	54	B	
	SOUTHWEST	3	13	7	14	113	B	3	13	7	14	38	78	B		3	7	42	77	B	
	NORTHWEST	4	14	8	13	92	B	4	14	8	13	42	64	B		4	8	38	63	B	
<b>Eighth Ave @ 31st St</b>	NORTHEAST	1	16	5	15	309	A	1	16	5	15	40	48	B		1	5	38	48	B	
	SOUTHEAST	2	24	6	15	67	B	2	20	6	15	40	29	C		2	6	42	30	C	
	SOUTHWEST	3	49	7	13	60	B	3	18	7	13	40	42	B		3	7	38	42	B	
	NORTHWEST	4	14	8	24	79	B	4	14	8	24	40	67	B		4	8	42	66	B	
<b>Eighth Ave @ 33rd St</b>	NORTHEAST	1	15	5	43	30	C	1	15	5	20	47	18	D		1	5	40	19	D	
	SOUTHEAST	2	19	6	16	194	A	2	19	6	16	33	13	E	Yes	2	6	40	15	D	
	SOUTHWEST	3	17	7	24	21	D	3	17	7	24	47	17	D		3	7	40	17	D	
	NORTHWEST	4	43	8	14	9	E	4	18	8	14	33	6	E	Yes	4	8	40	6	E	Yes
<b>Eighth Ave @ 34th St</b>	NORTHEAST	1	15	5	15	30	C	1	15	5	15	40	19	D		1	5	29	17	D	
	SOUTHEAST	2	15	6	15	46	B	2	15	6	15	40	24	C		2	6	35	22	D	
	SOUTHWEST	3	22	7	22	32	C	3	22	7	22	40	23	D		3	7	29	20	D	
	NORTHWEST	4	22	8	22	23	D	4	22	8	22	40	16	D		4	8	35	13	E	Yes
<b>Eighth Ave @ 37th St</b>	NORTHEAST	1	15	5	15	29	C	1	15	5	15	36	24	C		1	5		24	C	
	SOUTHEAST	2	15	6	15	26	C	2	15	6	15	44	20	D		2	6		20	D	
	SOUTHWEST	3	12	7	12	19	D	3	12	7	12	36	15	D		3	7		15	D	
	NORTHWEST	4	12	8	13	26	C	4	12	8	13	44	22	D		4	8		22	D	
<b>Eighth Ave @ 38th St</b>	NORTHEAST	1	15	5	15	278	A	1	15	5	15	38	120	B		1	5		120	B	
	SOUTHEAST	2	15	6	15	169	A	2	15	6	15	42	85	B		2	6		85	B	
	SOUTHWEST	3	12	7	11	84	B	3	12	7	11	38	46	B		3	7		46	B	
	NORTHWEST	4	12	8	11	97	B	4	12	8	11	42	50	B		4	8		50	B	

## Appendix S.5.4

### Pedestrian Improvement Analysis - Corner Level of Service

#### 2025 Future Conditions (PM)

Intersection	Corner Location	2025 Future without the Proposed Action				2025 Future with the Proposed Action					2025 Future with the Proposed Action (Improvement)															
		Sidewalk Width for No Build Condition		Pedestrian Flow Rate (s.f./ped.)	Level of Service	Sidewalk Width for Build Condition	Signal Timing	Pedestrian Flow Rate (s.f./ped.)	Level of Service	Impact?	Proposed Sidewalk Width Improvement	Signal Timing	Pedestrian Flow Rate (s.f./ped.)	Level of Service	Still Impact?											
<b>Eighth Ave @ 39th St</b>	NORTHEAST	1	15	5	15	20	D			1	15	5	15	40	18	D			1	5			18	D		
	SOUTHEAST	2	15	6	15	16	D			2	15	6	15	40	14	E	Yes		2	6			14	E	Yes	
	SOUTHWEST	3	12	7	12	5	F			3	12	7	12	40	4	F	Yes		3	7			4	F	Yes	
	NORTHWEST	4	12	8	12	13	E			4	12	8	12	40	11	E	Yes		4	8			11	E	Yes	
<b>Eighth Ave @ 42nd St</b>	NORTHEAST	1	15	5	12	22	D			1	15	5	12	25	20	D			1	5			30	21	D	
	SOUTHEAST	2	16	6	29	-4	F			2	16	6	29	35	-4	F			2	6			38	-2	F	
	SOUTHWEST	3	23	7	34	59	B			3	23	7	34	25	55	B			3	7			30	56	B	
	NORTHWEST	4	16	8	20	5	F			4	16	8	20	35	5	F			4	8			38	7	E	
<b>Seventh Ave @ 31st St</b>	NORTHEAST	1	23	5	20	28	C			1	23	5	20	38	24	C			1	5			42	24	C	
	SOUTHEAST	2	23	6	20	28	C			2	23	6	20	42	26	C			2	6			38	26	C	
	SOUTHWEST	3	13	7	13	27	C			3	13	7	13	38	24	C			3	7			42	24	C	
	NORTHWEST	4	13	8	18	43	B			4	13	8	18	42	36	C			4	8			38	36	C	
<b>Seventh Ave @ 33rd St</b>	NORTHEAST	1	20	5	20	17	D			1	20	5	20	22	15	D			1	5			25	16	D	
	SOUTHEAST	2	20	6	40	16	D			2	20	6	40	58	14	E	Yes		2	6			55	14	E	Yes
	SOUTHWEST	3	13	7	40	176	A			3	13	7	40	22	144	A			3	7			25	144	A	
	NORTHWEST	4	13	8	15	23	D			4	13	8	15	58	18	D			4	8			55	19	D	
<b>Seventh Ave @ 34th St</b>	NORTHEAST	1	20	5	20	59	B			1	20	5	20	35	55	B			1	5			38	55	B	
	SOUTHEAST	2	20	6	20	61	B			2	20	6	20	44	56	B			2	6			41	56	B	
	SOUTHWEST	3	23	7	23	66	B			3	23	7	23	35	57	B			3	7			38	57	B	
	NORTHWEST	4	23	8	23	53	B			4	23	8	23	44	49	B			4	8			41	49	B	
<b>Sixth Ave @ 33rd St</b>	NORTHEAST	1	34	5	27	31	C			1	34	5	27	27	29	C			1	5				29	C	
	SOUTHEAST	2	28	6	24	23	D			2	28	6	24	90	20	D			2	6				20	D	
	SOUTHWEST	3	13	7	13	17	D			3	13	7	13	27	12	E	Yes		3	7				12	E	Yes
	NORTHWEST	4	13	8	13	42	B			4	13	8	13	39	40	B			4	8				40	B	
<b>Sixth Ave @ 34th St</b>	NORTHEAST	1		5	17	18	D			1		5	17	27	17	D			1	5				17	D	
	SOUTHEAST	2	17	6		20	D			2	17	6		53	19	D			2	6				19	D	
	SOUTHWEST	3	23	7		N/A	N/A			3	23	7		27	N/A	N/A			3	7				N/A	N/A	
	NORTHWEST	4	23	8		N/A	N/A			4	23	8		53	N/A	N/A			4	8				N/A	N/A	
<b>Broadway @ 34th St</b>	NORTHEAST	1	30	5		N/A	N/A			1	30	5		27	N/A	N/A			1	5				N/A	N/A	
	SOUTHEAST	2		6	30	N/A	N/A			2		6	30	53	N/A	N/A			2	6				N/A	N/A	
	SOUTHWEST	3		7	23	26	C			3		7	23	27	25	C			3	7				25	C	
	NORTHWEST	4		8	23	29	C			4		8	23	53	28	C			4	8				28	C	
<b>Blvd @ 33rd St</b>	NORTHEAST					N/A	N/A			1	15	5		30	19	D			1	5			45	23	D	
	SOUTHEAST					N/A	N/A			2	18	6		50	N/A	N/A			2	6			45	N/A	N/A	
	SOUTHWEST					N/A	N/A			3	18	7	13	30	N/A	N/A			3	7			45	N/A	N/A	
	NORTHWEST					N/A	N/A			4	13	8	18	50	12	E			4	8			45	14	E	
<b>Blvd @ 34th St</b>	NORTHEAST					N/A	N/A			1	18	5	18	30	85	B			1	5				85	B	
	SOUTHEAST					N/A	N/A			2	18	6	18	50	72	B			2	6				72	B	
	SOUTHWEST					N/A	N/A			3	30	7	30	30	70	B			3	7				70	B	
	NORTHWEST					N/A	N/A			4	30	8	30	50	80	B			4	8				80	B	
<b>N.Blvd @ 35th St</b>	NORTHEAST					N/A	N/A			1		5	18	40	62	B			1	5				62	B	
	SOUTHEAST					N/A	N/A			2	18	6	18	40	35	C			2	6				35	C	
	SOUTHWEST					N/A	N/A			3	24	7	18	40	71	B			3	7				71	B	
	NORTHWEST					N/A	N/A			4	18	8		40	N/A	N/A			4	8				N/A	N/A	

## Appendix S.5.4

### Pedestrian Improvement Analysis - Corner Level of Service

#### 2025 Future Conditions (PM)

Intersection	Corner Location	2025 Future without the Proposed Action			2025 Future with the Proposed Action					2025 Future with the Proposed Action (Improvement)								
		Sidewalk Width for No Build Condition	Pedestrian Flow Rate (s.f./ped.)	Level of Service	Sidewalk Width for Build Condition	Signal Timing	Pedestrian Flow Rate (s.f./ped.)	Level of Service	Impact?	Proposed Sidewalk Width Improvement	Signal Timing	Pedestrian Flow Rate (s.f./ped.)	Level of Service	Still Impact?				
<b>N.Blvd @ 36th St</b>	NORTHEAST		N/A	N/A	1	5	18	40	141	A		1	5		141	A		
	SOUTHEAST		N/A	N/A	2	18	6	40	95	B		2	6		95	B		
	SOUTHWEST		N/A	N/A	3	22	7	40	N/A	N/A		3	7		N/A	N/A		
	NORTHWEST		N/A	N/A	4	18	8	40	N/A	N/A		4	8		N/A	N/A		
<b>N.Blvd @ 37th St</b>	NORTHEAST		N/A	N/A	1	5	18	32	133	A		1	5		133	A		
	SOUTHEAST		N/A	N/A	2	18	6	48	108	B		2	6		108	B		
	SOUTHWEST		N/A	N/A	3	22	7	32	N/A	N/A		3	7		N/A	N/A		
	NORTHWEST		N/A	N/A	4	17	8	48	N/A	N/A		4	8		N/A	N/A		
<b>Blvd @ 38th St</b>	NORTHEAST		N/A	N/A	1	18	5	18	40	147	A		1	5		147	A	
	SOUTHEAST		N/A	N/A	2	18	6	18	40	91	B		2	6		91	B	
	SOUTHWEST		N/A	N/A	3	22	7	17	40	32	C		3	7		32	C	
	NORTHWEST		N/A	N/A	4	17	8	22	40	60	B		4	8		60	B	
<b>S.Blvd @ 35th St</b>	NORTHEAST		N/A	N/A	1	18	5		30	N/A	N/A		1	5		N/A	N/A	
	SOUTHEAST		N/A	N/A	2		6		50	N/A	N/A		2	6		N/A	N/A	
	SOUTHWEST		N/A	N/A	3		7	18	30	N/A	N/A		3	7		N/A	N/A	
	NORTHWEST		N/A	N/A	4		8	24	50	45	B		4	8		45	B	
<b>S.Blvd @ 36th St</b>	NORTHEAST		N/A	N/A	1	18	5		30	N/A	N/A		1	5		N/A	N/A	
	SOUTHEAST		N/A	N/A	2		6	18	50	N/A	N/A		2	6		N/A	N/A	
	SOUTHWEST		N/A	N/A	3		7	18	30	83	B		3	7		83	B	
	NORTHWEST		N/A	N/A	4		8	22	50	114	B		4	8		114	B	
<b>S.Blvd @ 37th St</b>	NORTHEAST		N/A	N/A	1	18	5		32	N/A	N/A		1	5		N/A	N/A	
	SOUTHEAST		N/A	N/A	2		6	18	48	N/A	N/A		2	6		N/A	N/A	
	SOUTHWEST		N/A	N/A	3		7	17	32	54	B		3	7		54	B	
	NORTHWEST		N/A	N/A	4		8	22	48	74	B		4	8		74	B	

## Appendix S.5.4

### Pedestrian Improvement Analysis - Corner Level of Service

#### 2025 Future Conditions (EVE)

Intersection	Corner Location	2025 Future without the Proposed Action					2025 Future with the Proposed Action					2025 Future with the Proposed Action (Improvement)											
		Sidewalk Width for No Build Condition		Pedestrian Flow Rate (s.f./ped.)	Level of Service		Sidewalk Width for Build Condition		Pedestrian Green	Pedestrian Flow Rate (s.f./ped.)	Level of Service	Impact?	Proposed Sidewalk Width	Signal Timing	Pedestrian Flow Rate (s.f./ped.)	Level of Service	Still Impact?						
<b>Twelfth Ave @ 30th St</b>	NORTHEAST	1	15	5	15	2665	A		1	15	5	15	24	2665	A		1	5		8715	A		
	SOUTHEAST	2	11	6	15	7116	A		2	11	6	15	70	7116	A		2		6	7116	A		
	SOUTHWEST	3	13	7		N/A	N/A		3	13	7		24	N/A	N/A		3	35	7	N/A	N/A		
	NORTHWEST	4	13	8		N/A	N/A		4	13	8		70	N/A	N/A		4		8	N/A	N/A		
<b>Twelfth Ave @ 34th St</b>	NORTHEAST	1	15	5	12	5942	A		1	15	5	12	29	60	B		1	5		11	67	B	
	SOUTHEAST	2	12	6	15	8306	A		2	12	6	15	60	28	C		2		6	48	79	B	
	SOUTHWEST	3	18	7		N/A	N/A		3	18	7		29	N/A	N/A		3	7	7	11	N/A	N/A	
	NORTHWEST	4	18	8		N/A	N/A		4	18	8		60	N/A	N/A		4		8	48	N/A	N/A	
<b>Eleventh Ave @ 30th St</b>	NORTHEAST	1	15	5	15	2994	A		1	15	5	15	40	63	B		1	5			225	A	
	SOUTHEAST	2	15	6	15	4706	A		2	20	6	15	40	274	A		2		6		274	A	
	SOUTHWEST	3	13	7	13	4117	A		3	13	7	13	40	164	A		3	35	7		164	A	
	NORTHWEST	4	13	8	13	4701	A		4	13	8	13	40	48	B		4		8	35	157	A	
<b>Eleventh Ave @ 33rd St</b>	NORTHEAST	1	15	5	15	1433	A		1	15	5	20	25	51	B		1	5			51	B	
	SOUTHEAST	2	15	6	15	3657	A		2	20	6	15	55	-3	F	Yes	2		6		51	B	
	SOUTHWEST	3	13	7	13	4712	A		3	18	7		25	N/A	N/A		3	3	7		N/A	N/A	
	NORTHWEST	4	13	8	13	8231	A		4	13	8		55	N/A	N/A		4	35	8		N/A	N/A	
<b>Eleventh Ave @ 34th St</b>	NORTHEAST	1	15	5	15	1785	A		1	15	5	20	22	83	B		1	5		30	72	B	
	SOUTHEAST	2	12	6	15	995	A		2	17	6	15	58	33	C		2		6	30	37	C	
	SOUTHWEST	3	20	7	20	2343	A		3	30	7	20	22	14	E	Yes	3	7	7	30	19	D	
	NORTHWEST	4	20	8	20	2871	A		4	30	8	20	58	43	B		4		8	30	30	C	
<b>Eleventh Ave @ 39th St</b>	NORTHEAST	1	14	5	10	3018	A		1	14	5	15	31	2470	A		1	5			2470	A	
	SOUTHEAST	2	10	6	15	1171	A		2	15	6	15	49	287	A		2		6		287	A	
	SOUTHWEST	3	12	7	13	1618	A		3	12	7		31	N/A	N/A		3	3	7		N/A	N/A	
	NORTHWEST	4	11	8	15	1435	A		4	18	8		49	N/A	N/A		4		8		N/A	N/A	
<b>Eleventh Ave @ 42nd St</b>	NORTHEAST	1	16	5	16	296	A		1	16	5	16	33	179	A		1	5			179	A	
	SOUTHEAST	2	16	6	15	424	A		2	16	6	15	35	215	A		2		6		215	A	
	SOUTHWEST	3	15	7	16	436	A		3	15	7	16	33	198	A		3	7	7		198	A	
	NORTHWEST	4	15	8	16	325	A		4	15	8	16	35	175	A		4		8		175	A	
<b>Tenth Ave @ 30th St</b>	NORTHEAST	1	16	5	15	1221	A		1	16	5	15	30	104	B		1	5			104	B	
	SOUTHEAST	2	15	6	15	1197	A		2	15	6	15	50	621	A		2		6		621	A	
	SOUTHWEST	3	13	7	14	874	A		3	13	7	14	30	416	A		3	7	7		416	A	
	NORTHWEST	4	15	8	14	975	A		4	15	8	14	50	76	B		4		8	36	221	A	
<b>Tenth Ave @ 31st St</b>	NORTHEAST	1	15	5	15	1849	A		1	15	5	15	30	28	C		1	5			24	C	
	SOUTHEAST	2	15	6	15	1579	A		2	15	6	15	50	88	B		2		6	30	87	B	
	SOUTHWEST	3	13	7		N/A	N/A		3	13	7		30	N/A	N/A		3	7	7		N/A	N/A	
	NORTHWEST	4	13	8		N/A	N/A		4	13	8		50	N/A	N/A		4		8	30	N/A	N/A	
<b>Tenth Ave @ 33rd St</b>	NORTHEAST	1	15	5	15	811	A		1	15	5	15	32	103	B		1	5		31	102	B	
	SOUTHEAST	2	15	6	15	716	A		2	15	6	15	48	-11	F	Yes	2		6	49	6	E	Yes
	SOUTHWEST	3	13	7	13	1047	A		3	13	7	13	32	9	E	Yes	3	7	35	31	28	C	
	NORTHWEST	4	13	8	13	1389	A		4	13	8	18	48	179	A		4	35	8	49	179	A	
<b>Tenth Ave @ 34th St</b>	NORTHEAST	1	15	5	15	642	A		1	15	5	15	30	271	A		1	5			271	A	
	SOUTHEAST	2	15	6	15	434	A		2	15	6	15	50	119	B		2		6		119	B	
	SOUTHWEST	3	20	7	20	597	A		3	20	7	30	30	243	A		3	7	7		243	A	
	NORTHWEST	4	20	8	20	867	A		4	20	8	30	50	507	A		4		8		507	A	

## Appendix S.5.4

### Pedestrian Improvement Analysis - Corner Level of Service

#### 2025 Future Conditions (EVE)

Intersection	Corner Location	2025 Future without the Proposed Action					2025 Future with the Proposed Action					2025 Future with the Proposed Action (Improvement)											
		Sidewalk Width for No Build Condition		Pedestrian Flow Rate (s.f./ped.)	Level of Service		Sidewalk Width for Build Condition		Pedestrian Green	Pedestrian Flow Rate (s.f./ped.)	Level of Service	Impact?	Proposed Sidewalk Width	Signal Timing	Pedestrian Flow Rate (s.f./ped.)	Level of Service	Still Impact?						
<b>Ninth Ave @ 30th St</b>	NORTHEAST	1	16	5	16	398	A		1	16	5	16	36	216	A		1	5		216	A		
	SOUTHEAST	2	15	6	16	449	A		2	15	6	16	44	303	A		2	6		303	A		
	SOUTHWEST	3	13	7	14	568	A		3	13	7	14	36	257	A		3	7		257	A		
	NORTHWEST	4	13	8	12	570	A		4	13	8	12	44	217	A		4	8		217	A		
<b>Ninth Ave @ 31st St</b>	NORTHEAST	1	15	5	15	310	A		1	20	5	15	30	30	C		1	5		30	C		
	SOUTHEAST	2	13	6	15	362	A		2	13	6	15	50	171	A		2	6		171	A		
	SOUTHWEST	3	13	7	13	653	A		3	13	7	13	30	147	A		3	7		147	A		
	NORTHWEST	4	13	8	13	494	A		4	13	8	13	50	51	B		4	8		51	B		
<b>Ninth Ave @ 33rd St</b>	NORTHEAST	1	15	5	15	207	A		1	15	5	15	30	29	C		1	5		29	C		
	SOUTHEAST	2	15	6	15	141	A		2	15	6	20	50	-4	F	Yes	2	6		32	C		
	SOUTHWEST	3	13	7	13	180	A		3	13	7	18	30	13	E	Yes	3	7	40	32	C		
	NORTHWEST	4	13	8	13	362	A		4	13	8	13	50	16	D		4	35	8	16	D		
<b>Ninth Ave @ 34th St</b>	NORTHEAST	1	15	5	15	234	A		1	15	5	15	25	78	B		1	5		30	77	B	
	SOUTHEAST	2	15	6	15	228	A		2	15	6	15	40	72	B		2	6		30	73	B	
	SOUTHWEST	3	23	7	20	305	A		3	23	7	20	25	50	B		3	7		30	50	B	
	NORTHWEST	4	23	8	20	304	A		4	23	8	20	40	45	B		4	8		30	41	B	
<b>Eighth Ave @ 30th St</b>	NORTHEAST	1	14	5	15	184	A		1	14	5	15	38	132	A		1	5		132	A		
	SOUTHEAST	2	15	6	14	272	A		2	15	6	14	42	203	A		2	6		203	A		
	SOUTHWEST	3	13	7	14	242	A		3	13	7	14	38	203	A		3	7		203	A		
	NORTHWEST	4	14	8	13	206	A		4	14	8	13	42	160	A		4	8		160	A		
<b>Eighth Ave @ 31st St</b>	NORTHEAST	1	16	5	15	503	A		1	16	5	15	40	87	B		1	5		87	B		
	SOUTHEAST	2	24	6	15	117	B		2	20	6	15	40	76	B		2	6		76	B		
	SOUTHWEST	3	49	7	13	104	B		3	18	7	13	40	84	B		3	7		84	B		
	NORTHWEST	4	14	8	24	209	A		4	14	8	24	40	134	A		4	8		134	A		
<b>Eighth Ave @ 33rd St</b>	NORTHEAST	1	15	5	43	78	B		1	15	5	20	47	52	B		1	5		30	47	B	
	SOUTHEAST	2	19	6	16	464	A		2	19	6	16	33	62	B		2	6		30	58	B	
	SOUTHWEST	3	17	7	24	58	B		3	17	7	24	47	51	B		3	7	46	30	113	B	
	NORTHWEST	4	43	8	14	35	C		4	18	8	14	33	26	C		4	8		30	24	C	
<b>Eighth Ave @ 34th St</b>	NORTHEAST	1	15	5	15	23	D		1	15	5	15	40	22	D		1	5		30	20	D	
	SOUTHEAST	2	15	6	15	17	D		2	15	6	15	40	14	E	Yes	2	6		30	10	E	Yes
	SOUTHWEST	3	22	7	22	22	D		3	22	7	22	40	20	D		3	7		30	17	D	
	NORTHWEST	4	22	8	22	77	B		4	22	8	22	40	70	B		4	8		30	67	B	
<b>Sixth Ave @ 34th St</b>	NORTHEAST	1		5	17	72	B		1		5	17	27	72	B		1	5		72	B		
	SOUTHEAST	2	17	6		66	B		2	17	6		53	66	B		2	6		66	B		
	SOUTHWEST	3	23	7		N/A	N/A		3	23	7		27	N/A	N/A		3	7		N/A	N/A		
	NORTHWEST	4	23	8		N/A	N/A		4	23	8		53	N/A	N/A		4	8		N/A	N/A		
<b>Broadway @ 34th St</b>	NORTHEAST	1	30	5		N/A	N/A		1	30	5		27	N/A	N/A		1	5		N/A	N/A		
	SOUTHEAST	2		6	30	N/A	N/A		2		6	30	53	N/A	N/A		2	6		N/A	N/A		
	SOUTHWEST	3		7	23	111	B		3		7	23	27	110	B		3	7		110	B		
	NORTHWEST	4		8	23	120	B		4		8	23	53	120	B		4	8		120	B		

## Appendix S.5.4

### Pedestrian Improvement Analysis - Corner Level of Service

#### 2025 Future Conditions (EVE)

Intersection	Corner Location	2025 Future without the Proposed Action			2025 Future with the Proposed Action					2025 Future with the Proposed Action (Improvement)							
		Sidewalk Width for No Build Condition	Pedestrian Flow Rate (s.f./ped.)	Level of Service	Sidewalk Width for Build Condition	Pedestrian Green	Pedestrian Flow Rate (s.f./ped.)	Level of Service	Impact?	Proposed Sidewalk Width	Signal Timing	Pedestrian Flow Rate (s.f./ped.)	Level of Service	Still Impact?			
<b>Blvd @ 33rd St</b>	NORTHEAST		N/A	N/A	1	15	5	45	77	B		1	5		77	B	
	SOUTHEAST		N/A	N/A	2	18	6	45	N/A	N/A		2	6		N/A	N/A	
	SOUTHWEST		N/A	N/A	3	18	7	45	N/A	N/A		3	7	35	N/A	N/A	
	NORTHWEST		N/A	N/A	4	13	8	45	46	B		4	35	8	46	B	
<b>Blvd @ 34th St</b>	NORTHEAST		N/A	N/A	1	18	5	18	30	373	A	1	5		373	A	
	SOUTHEAST		N/A	N/A	2	18	6	18	32	283	A	2	6		283	A	
	SOUTHWEST		N/A	N/A	3	30	7	30	30	250	A	3	7		250	A	
	NORTHWEST		N/A	N/A	4	30	8	30	32	220	A	4	8		220	A	
<b>N.Blvd @ 35th St</b>	NORTHEAST		N/A	N/A	1		5	18	40	442	A	1	5		442	A	
	SOUTHEAST		N/A	N/A	2	18	6	18	40	113	B	2	6		113	B	
	SOUTHWEST		N/A	N/A	3	24	7	18	40	258	A	3	7		258	A	
	NORTHWEST		N/A	N/A	4	18	8		40	N/A	N/A	4	8		N/A	N/A	
<b>N.Blvd @ 36th St</b>	NORTHEAST		N/A	N/A	1		5	18	40	1413	A	1	5		1413	A	
	SOUTHEAST		N/A	N/A	2	18	6		40	197	A	2	6		197	A	
	SOUTHWEST		N/A	N/A	3	22	7		40	N/A	N/A	3	7		N/A	N/A	
	NORTHWEST		N/A	N/A	4	18	8		40	N/A	N/A	4	8		N/A	N/A	
<b>N.Blvd @ 37th St</b>	NORTHEAST		N/A	N/A	1		5	18	32	1125	A	1	5		1125	A	
	SOUTHEAST		N/A	N/A	2	18	6		48	1028	A	2	6		1028	A	
	SOUTHWEST		N/A	N/A	3	22	7		32	N/A	N/A	3	7		N/A	N/A	
	NORTHWEST		N/A	N/A	4	17	8		48	N/A	N/A	4	8		N/A	N/A	
<b>Blvd @ 38th St</b>	NORTHEAST		N/A	N/A	1	18	5	18	40	1177	A	1	5		1177	A	
	SOUTHEAST		N/A	N/A	2	18	6	18	40	690	A	2	6		690	A	
	SOUTHWEST		N/A	N/A	3	22	7	17	40	754	A	3	7		754	A	
	NORTHWEST		N/A	N/A	4	17	8	22	40	1177	A	4	8		1177	A	
<b>S.Blvd @ 35th St</b>	NORTHEAST		N/A	N/A	1	18	5		30	N/A	N/A	1	5		N/A	N/A	
	SOUTHEAST		N/A	N/A	2		6		50	N/A	N/A	2	6		N/A	N/A	
	SOUTHWEST		N/A	N/A	3		7	18	30	N/A	N/A	3	7		N/A	N/A	
	NORTHWEST		N/A	N/A	4		8	24	50	117	B	4	8		117	B	
<b>S.Blvd @ 36th St</b>	NORTHEAST		N/A	N/A	1	18	5		30	N/A	N/A	1	5		N/A	N/A	
	SOUTHEAST		N/A	N/A	2		6	18	50	N/A	N/A	2	6		N/A	N/A	
	SOUTHWEST		N/A	N/A	3		7	18	30	332	A	3	7		332	A	
	NORTHWEST		N/A	N/A	4		8	22	50	1233	A	4	8		1233	A	
<b>S.Blvd @ 37th St</b>	NORTHEAST		N/A	N/A	1	18	5		32	N/A	N/A	1	5		N/A	N/A	
	SOUTHEAST		N/A	N/A	2		6	18	48	N/A	N/A	2	6		N/A	N/A	
	SOUTHWEST		N/A	N/A	3		7	17	32	1153	A	3	7		1153	A	
	NORTHWEST		N/A	N/A	4		8	22	48	1196	A	4	8		1196	A	

## Appendix S.5.4

### Pedestrian Improvement Analysis - Corner Level of Service

#### 2025 Future Conditions (SUN)

Intersection	Corner Location	2025 Future without the Proposed Action					2025 Future with the Proposed Action					2025 Future with the Proposed Action (Improvement)												
		Sidewalk Width for No Build Condition		Pedestrian Flow Rate (s.f./ped.)	Level of Service		Sidewalk Width for Build Condition		Pedestrian an Green	Pedestrian Flow Rate (s.f./ped.)	Level of Service	Impact?	Proposed Sidewalk Width	Signal Timing	Pedestrian Flow Rate (s.f./ped.)	Level of Service	Still Impact?							
<b>Twelfth Ave @ 30th St</b>	NORTHEAST	1	15	5	15	2989	A		1	15	5	15	24	2989	A			1	5		9795	A		
	SOUTHEAST	2	11	6	15	3956	A		2	11	6	15	70	3956	A			2	6		3956	A		
	SOUTHWEST	3	13	7		N/A	N/A		3	13	7		24	N/A	N/A			3	35	7	N/A	N/A		
	NORTHWEST	4	13	8		N/A	N/A		4	13	8		70	N/A	N/A			4	8		N/A	N/A		
<b>Twelfth Ave @ 34th St</b>	NORTHEAST	1	15	5	12	3782	A		1	15	5	12	29	67	B			1	5		31	67	B	
	SOUTHEAST	2	12	6	15	301	A		2	12	6	15	60	-10	F	Yes		2	6		53	34	C	
	SOUTHWEST	3	18	7		N/A	N/A		3	18	7		29	N/A	N/A			3	7	7	31	N/A	N/A	
	NORTHWEST	4	18	8		N/A	N/A		4	18	8		60	N/A	N/A			4	8		53	N/A	N/A	
<b>Eleventh Ave @ 30th St</b>	NORTHEAST	1	15	5	15	627	A		1	15	5	15	40	57	B			1	5			184	A	
	SOUTHEAST	2	15	6	15	1092	A		2	20	6	15	40	95	B			2	6			95	B	
	SOUTHWEST	3	13	7	13	1491	A		3	13	7	13	40	51	B			3	35	7		51	B	
	NORTHWEST	4	13	8	13	816	A		4	13	8	13	40	15	D			4	8	35		86	B	
<b>Eleventh Ave @ 33rd St</b>	NORTHEAST	1	15	5	15	353	A		1	15	5	20	25	64	B			1	5			64	B	
	SOUTHEAST	2	15	6	15	763	A		2	20	6	15	55	15	D			2	6			49	B	
	SOUTHWEST	3	13	7	13	4706	A		3	18	7		25	N/A	N/A			3	7			N/A	N/A	
	NORTHWEST	4	13	8	13	4113	A		4	13	8		55	N/A	N/A			4	35	8		N/A	N/A	
<b>Eleventh Ave @ 34th St</b>	NORTHEAST	1	15	5	15	221	A		1	15	5	20	22	51	B			1	5		30	50	B	
	SOUTHEAST	2	12	6	15	314	A		2	17	6	15	58	33	C			2	6		30	26	C	
	SOUTHWEST	3	20	7	20	354	A		3	30	7	20	22	-3	F	Yes		3	7		30	-6	F	Yes
	NORTHWEST	4	20	8	20	296	A		4	30	8	20	58	19	D			4	8		30	20	D	
<b>Eleventh Ave @ 39th St</b>	NORTHEAST	1	14	5	10	1510	A		1	14	5	15	31	59	B			1	5		50	49	B	
	SOUTHEAST	2	10	6	15	159	A		2	15	6	15	49	64	B			2	6		30	64	B	
	SOUTHWEST	3	12	7	13	279	A		3	12	7		31	N/A	N/A			3	7		50	N/A	N/A	
	NORTHWEST	4	11	8	15	1248	A		4	18	8		49	N/A	N/A			4	8		30	N/A	N/A	
<b>Eleventh Ave @ 42nd St</b>	NORTHEAST	1	16	5	16	141	A		1	16	5	16	33	63	B			1	5		40	63	B	
	SOUTHEAST	2	16	6	15	174	A		2	16	6	15	35	39	C			2	6		28	38	C	
	SOUTHWEST	3	15	7	16	156	A		3	15	7	16	33	55	B			3	7		40	56	B	
	NORTHWEST	4	15	8	16	146	A		4	15	8	16	35	100	B			4	8		28	102	B	
<b>Tenth Ave @ 30th St</b>	NORTHEAST	1	16	5	15	215	A		1	16	5	15	30	51	B			1	5			51	B	
	SOUTHEAST	2	15	6	15	349	A		2	15	6	15	50	148	A			2	6			148	A	
	SOUTHWEST	3	13	7	14	238	A		3	13	7	14	30	75	B			3	7			75	B	
	NORTHWEST	4	15	8	14	183	A		4	15	8	14	50	29	C			4	8	36		102	B	
<b>Tenth Ave @ 31st St</b>	NORTHEAST	1	15	5	15	365	A		1	15	5	15	30	33	C			1	5			32	C	
	SOUTHEAST	2	15	6	15	413	A		2	15	6	15	50	60	B			2	6		30	51	B	
	SOUTHWEST	3	13	7		N/A	N/A		3	13	7		30	N/A	N/A			3	7			N/A	N/A	
	NORTHWEST	4	13	8		N/A	N/A		4	13	8		50	N/A	N/A			4	8		30	N/A	N/A	
<b>Tenth Ave @ 33rd St</b>	NORTHEAST	1	15	5	15	317	A		1	15	5	15	32	49	B			1	5			49	B	
	SOUTHEAST	2	15	6	15	227	A		2	15	6	15	48	7	E	Yes		2	6			23	D	
	SOUTHWEST	3	13	7	13	197	A		3	13	7	13	32	-12	F	Yes		3	7	35		4	F	Yes
	NORTHWEST	4	13	8	13	279	A		4	13	8	18	48	54	B			4	35	8		54	B	
<b>Tenth Ave @ 34th St</b>	NORTHEAST	1	15	5	15	252	A		1	15	5	15	30	77	B			1	5			77	B	
	SOUTHEAST	2	15	6	15	336	A		2	15	6	15	50	66	B			2	6			66	B	
	SOUTHWEST	3	20	7	20	384	A		3	20	7	30	30	100	B			3	7			100	B	
	NORTHWEST	4	20	8	20	269	A		4	20	8	30	50	113	B			4	8			113	B	

## Appendix S.5.4

### Pedestrian Improvement Analysis - Corner Level of Service

#### 2025 Future Conditions (SUN)

Intersection	Corner Location	2025 Future without the Proposed Action					2025 Future with the Proposed Action					2025 Future with the Proposed Action (Improvement)											
		Sidewalk Width for No Build Condition		Pedestrian Flow Rate (s.f./ped.)	Level of Service		Sidewalk Width for Build Condition		Pedestrian Green	Pedestrian Flow Rate (s.f./ped.)	Level of Service	Impact?	Proposed Sidewalk Width	Signal Timing	Pedestrian Flow Rate (s.f./ped.)	Level of Service	Still Impact?						
<b>Ninth Ave @ 30th St</b>	NORTHEAST	1	16	5	16	111	B		1	16	5	16	36	44	B		1	5		44	B		
	SOUTHEAST	2	15	6	16	117	B		2	15	6	16	44	51	B		2	6		51	B		
	SOUTHWEST	3	13	7	14	93	B		3	13	7	14	36	36	C		3	7		36	C		
	NORTHWEST	4	13	8	12	121	B		4	13	8	12	44	44	B		4	8		44	B		
<b>Ninth Ave @ 31st St</b>	NORTHEAST	1	15	5	15	44	B		1	20	5	15	30	15	D		1	5		15	D		
	SOUTHEAST	2	13	6	15	80	B		2	13	6	15	50	40	B		2	6		40	B		
	SOUTHWEST	3	13	7	13	213	A		3	13	7	13	30	33	C		3	7		33	C		
	NORTHWEST	4	13	8	13	119	B		4	13	8	13	50	22	D		4	8		22	D		
<b>Ninth Ave @ 33rd St</b>	NORTHEAST	1	15	5	15	59	B		1	15	5	15	30	13	E	Yes	1	5		13	E	Yes	
	SOUTHEAST	2	15	6	15	46	B		2	15	6	20	50	4	F	Yes	2	6		28	C		
	SOUTHWEST	3	13	7	13	72	B		3	13	7	18	30	5	F	Yes	3	7	40	21	D		
	NORTHWEST	4	13	8	13	141	A		4	13	8	13	50	7	E	Yes	4	35	8	7	E	Yes	
<b>Ninth Ave @ 34th St</b>	NORTHEAST	1	15	5	15	96	B		1	15	5	15	25	52	B		1	5		30	50	B	
	SOUTHEAST	2	15	6	15	89	B		2	15	6	15	40	35	C		2	6		30	35	C	
	SOUTHWEST	3	23	7	20	167	A		3	23	7	20	25	30	C		3	7		30	30	C	
	NORTHWEST	4	23	8	20	149	A		4	23	8	20	40	33	C		4	8		30	30	C	
<b>Eighth Ave @ 30th St</b>	NORTHEAST	1	14	5	15	136	A		1	14	5	15	38	61	B		1	5		61	B		
	SOUTHEAST	2	15	6	14	180	A		2	15	6	14	42	77	B		2	6		77	B		
	SOUTHWEST	3	13	7	14	150	A		3	13	7	14	38	95	B		3	7		95	B		
	NORTHWEST	4	14	8	13	120	B		4	14	8	13	42	76	B		4	8		76	B		
<b>Eighth Ave @ 31st St</b>	NORTHEAST	1	16	5	15	484	A		1	16	5	15	40	69	B		1	5		69	B		
	SOUTHEAST	2	24	6	15	93	B		2	20	6	15	40	45	B		2	6		45	B		
	SOUTHWEST	3	49	7	13	96	B		3	18	7	13	40	64	B		3	7		64	B		
	NORTHWEST	4	14	8	24	150	A		4	14	8	24	40	93	B		4	8		93	B		
<b>Eighth Ave @ 33rd St</b>	NORTHEAST	1	15	5	43	68	B		1	15	5	20	40	41	B		1	5		30	38	C	
	SOUTHEAST	2	19	6	16	354	A		2	19	6	16	40	40	B		2	6		30	37	C	
	SOUTHWEST	3	17	7	24	61	B		3	17	7	24	40	49	B		3	7	46	30	106	B	
	NORTHWEST	4	43	8	14	34	C		4	18	8	14	40	23	D		4	8		30	19	D	
<b>Eighth Ave @ 34th St</b>	NORTHEAST	1	15	5	15	60	B		1	15	5	15	40	47	B		1	5		30	44	B	
	SOUTHEAST	2	15	6	15	61	B		2	15	6	15	40	38	C		2	6		30	35	C	
	SOUTHWEST	3	22	7	22	48	B		3	22	7	22	40	35	C		3	7		30	30	C	
	NORTHWEST	4	22	8	22	52	B		4	22	8	22	40	45	B		4	8		30	41	B	
<b>Sixth Ave @ 34th St</b>	NORTHEAST	1		5	17	33	C		1		5	17	27	33	C		1	5		28	33	C	
	SOUTHEAST	2	17	6		35	C		2	17	6		53	34	C		2	6		52	35	C	
	SOUTHWEST	3	23	7		N/A	N/A		3	23	7		27	N/A	N/A		3	7		28	N/A	N/A	
	NORTHWEST	4	23	8		N/A	N/A		4	23	8		53	N/A	N/A		4	8		52	N/A	N/A	
<b>Broadway @ 34th St</b>	NORTHEAST	1	30	5		N/A	N/A		1	30	5		27	N/A	N/A		1	5		28	N/A	N/A	
	SOUTHEAST	2		6	30	N/A	N/A		2		6	30	53	N/A	N/A		2	6		52	N/A	N/A	
	SOUTHWEST	3		7	23	93	B		3		7	23	27	90	B		3	7		28	90	B	
	NORTHWEST	4		8	23	81	B		4		8	23	53	79	B		4	8		52	79	B	
<b>Blvd @ 33rd St</b>	NORTHEAST					N/A	N/A		1	15	5		45	46	B		1	5		46	B		
	SOUTHEAST					N/A	N/A		2	18	6		45	N/A	N/A		2	6		N/A	N/A		
	SOUTHWEST					N/A	N/A		3	18	7	13	45	N/A	N/A		3	7	35	N/A	N/A		
	NORTHWEST					N/A	N/A		4	13	8	18	45	28	C		4	35	8	28	C		



## Appendix S.5.4

### Pedestrian Improvement Analysis - Corner Level of Service

#### 2025 Future Conditions (SUN)

Intersection	Corner Location	2025 Future without the Proposed Action			2025 Future with the Proposed Action					2025 Future with the Proposed Action (Improvement)								
		Sidewalk Width for No Build Condition	Pedestrian Flow Rate (s.f./ped.)	Level of Service	Sidewalk Width for Build Condition	Pedestrian Green	Pedestrian Flow Rate (s.f./ped.)	Level of Service	Impact?	Proposed Sidewalk Width	Signal Timing	Pedestrian Flow Rate (s.f./ped.)	Level of Service	Still Impact?				
<b>Blvd @ 34th St</b>	NORTHEAST		N/A	N/A	1	18	5	18	30	169	A		1	5		169	A	
	SOUTHEAST		N/A	N/A	2	18	6	18	50	177	A		2	6		177	A	
	SOUTHWEST		N/A	N/A	3	30	7	30	30	159	A		3	7		159	A	
	NORTHWEST		N/A	N/A	4	30	8	30	50	131	A		4	8		131	A	
<b>N.Blvd @ 35th St</b>	NORTHEAST		N/A	N/A	1		5	18	40	164	A		1	5		164	A	
	SOUTHEAST		N/A	N/A	2	18	6	18	40	67	B		2	6		67	B	
	SOUTHWEST		N/A	N/A	3	24	7	18	40	146	A		3	7		146	A	
	NORTHWEST		N/A	N/A	4	18	8		40	N/A	N/A		4	8		N/A	N/A	
<b>N.Blvd @ 36th St</b>	NORTHEAST		N/A	N/A	1		5	18	40	191	A		1	5		191	A	
	SOUTHEAST		N/A	N/A	2	18	6		40	89	B		2	6		89	B	
	SOUTHWEST		N/A	N/A	3	22	7		40	N/A	N/A		3	7		N/A	N/A	
	NORTHWEST		N/A	N/A	4	18	8		40	N/A	N/A		4	8		N/A	N/A	
<b>N.Blvd @ 37th St</b>	NORTHEAST		N/A	N/A	1		5	18	32	159	A		1	5		159	A	
	SOUTHEAST		N/A	N/A	2	18	6		48	134	A		2	6		134	A	
	SOUTHWEST		N/A	N/A	3	22	7		32	N/A	N/A		3	7		N/A	N/A	
	NORTHWEST		N/A	N/A	4	17	8		48	N/A	N/A		4	8		N/A	N/A	
<b>Blvd @ 38th St</b>	NORTHEAST		N/A	N/A	1	18	5	18	40	187	A		1	5		187	A	
	SOUTHEAST		N/A	N/A	2	18	6	18	40	132	A		2	6		132	A	
	SOUTHWEST		N/A	N/A	3	22	7	17	40	133	A		3	7		133	A	
	NORTHWEST		N/A	N/A	4	17	8	22	40	166	A		4	8		166	A	
<b>S.Blvd @ 35th St</b>	NORTHEAST		N/A	N/A	1	18	5		30	N/A	N/A		1	5		N/A	N/A	
	SOUTHEAST		N/A	N/A	2		6		50	N/A	N/A		2	6		N/A	N/A	
	SOUTHWEST		N/A	N/A	3		7	18	30	N/A	N/A		3	7		N/A	N/A	
	NORTHWEST		N/A	N/A	4		8	24	50	131	A		4	8		131	A	
<b>S.Blvd @ 36th St</b>	NORTHEAST		N/A	N/A	1	18	5		30	N/A	N/A		1	5		N/A	N/A	
	SOUTHEAST		N/A	N/A	2		6	18	50	N/A	N/A		2	6		N/A	N/A	
	SOUTHWEST		N/A	N/A	3		7	18	30	106	B		3	7		106	B	
	NORTHWEST		N/A	N/A	4		8	22	50	169	A		4	8		169	A	
<b>S.Blvd @ 37th St</b>	NORTHEAST		N/A	N/A	1	18	5		32	N/A	N/A		1	5		N/A	N/A	
	SOUTHEAST		N/A	N/A	2		6	18	48	N/A	N/A		2	6		N/A	N/A	
	SOUTHWEST		N/A	N/A	3		7	17	32	146	A		3	7		146	A	
	NORTHWEST		N/A	N/A	4		8	22	48	153	A		4	8		153	A	

**Appendix S.5.5**  
Existing Conditions : Crosswalks Level of Service

Intersection	Crosswalk	Crosswalk Width	AM						MD						PM						SE-EVE						SE-SUN					
			W/OV		W/V		MAX S		W/OV		W/V		MAX S		W/OV		W/V		MAX S		W/OV		W/V		MAX S		W/OV		W/V		MAX S	
			SF/P	LOS	SF/P	LOS	SF/P	LOS	SF/P	LOS	SF/P	LOS	SF/P	LOS	SF/P	LOS	SF/P	LOS	SF/P	LOS	SF/P	LOS	SF/P	LOS	SF/P	LOS	SF/P	LOS	SF/P	LOS	SF/P	LOS
Twelfth Ave @ 30th St	East	19	23598	A	19597	A	4319	A	14321	A	11500	A	3118	A	12023	A	10100	A	2696	A	14321	A	12269	A	3118	A	7161	A	6006	A	1559	A
	South	15	1215	A	1215	A	1383	A	5316	A	6015	A	6015	A	2531	A	3824	A	3824	A	5316	A	6015	A	6015	A	5316	A	6015	A	6015	A
Twelfth Ave @ 34th St	East	14	14553	A	11185	A	4378	A	6733	A	5408	A	2476	A	3780	A	3234	A	1363	A	8978	A	8042	A	3301	A	3847	A	3313	A	1415	A
	South	15	1755	A	1510	A	1792	A	4388	A	3831	A	4475	A	6581	A	6164	A	6713	A	6581	A	6164	A	6713	A	6581	A	5829	A	6713	A
Twelfth Ave @ 39th St	East	11	9801	A	8601	A	2556	A	1897	A	1664	A	635	A	3712	A	3232	A	1199	A	3341	A	2921	A	1130	A	1897	A	1697	A	635	A
	South	15	729	A	729	A	671	A	3417	A	3417	A	3161	A	1709	A	1709	A	1581	A	1709	A	1709	A	1581	A	547	A	547	A	506	A
Twelfth Ave @ 40th St	East	14	9072	A	8383	A	1917	A	7087	A	6595	A	1792	A	11970	A	11313	A	3043	A												
	South	15	7492	A	7492	A	5402	A	14175	A	14175	A	12753	A	4556	A	4215	A														
Twelfth Ave @ 42nd St	North	15	1350	A	1178	A	1350	A	1687	A	1572	A	1687	A	690	A	616	A	690	A												
	East	15	3341	A	2883	A	1187	A	1933	A	1542	A	918	A	1312	A	1129	A	547	A												
	South	15	675	A	626	A	571	A	3037	A	2928	A	2595	A	2531	A	2349	A	2163	A												
Eleventh Ave @ 29th St	North	11	6105	A	6105	A	3370	A	6105	A	6105	A	3370	A	9157	A	9157	A	5054	A												
	East	13	7215	A	7215	A	2190	A	2706	A	2706	A	821	A	3607	A	3607	A	1095	A												
	South	11	675	A	626	A	571	A	6105	A	5918	A	3370	A	4579	A	4299	A	2527	A												
	West	13	7215	A	7215	A	2190	A	3607	A	3380	A	1095	A	1804	A	1747	A	547	A												
Eleventh Ave @ 30th St	North	11	18315	A	18315	A	10109	A	2035	A	2035	A	1123	A	9157	A	9157	A	5054	A	9157	A	9157	A	5054	A	18315	A	18315	A	10109	A
	East	13	7215	A	6534	A	2190	A	2405	A	1875	A	730	A	1968	A	1658	A	597	A	10822	A	10141	A	3285	A	21645	A	19601	A	6569	A
	South	11	675	A	626	A	571	A	6105	A	6012	A	3370	A	9157	A	8877	A	5054	A	6105	A	6012	A	3370	A	6105	A	6012	A	3370	A
	West	13	10822	A	10822	A	3285	A	1804	A	1804	A	547	A	3607	A	3607	A	1095	A	21645	A	2190	A	2190	A	21645	A	21645	A	6569	A
Eleventh Ave @ 33rd St	North	11	5445	A	5445	A	4147	A	3630	A	3630	A	2765	A	5445	A	5445	A	4147	A	5445	A	5445	A	4147	A	3630	A	3630	A	2765	A
	East	13	7605	A	7605	A	2183	A	7605	A	7605	A	2183	A	5070	A	5070	A	1455	A	10840	A	10840	A	1455	A	10840	A	10840	A	2911	A
	South	11	5445	A	4885	A	4147	A	2722	A	2512	A	2073	A	5445	A	4885	A	4147	A	5445	A	5445	A	4147	A	10140	A	5165	A	4147	A
	West	13	3042	A	3042	A	916	A	15210	A	15210	A	4578	A	7605	A	7605	A	2289	A	15210	A	15210	A	4578	A	10140	A	10140	A	3052	A
Eleventh Ave @ 34th St	North	18	3078	A	2551	A	2712	A	1080	A	934	A	799	A	1417	A	1161	A	1156	A	1924	A	1869	A	1695	A	481	A	453	A	424	A
	East	12	1414	A	1380	A	631	A	3375	A	3148	A	1500	A	4770	A	4528	A	2119	A	4243	A	4139	A	1892	A	2970	A	2861	A	1324	A
	South	18	1710	A	1409	A	1473	A	1144	A	1011	A	827	A	1417	A	1305	A	1131	A	1710	A	1509	A	1473	A	1184	A	975	A	1020	A
	West	13	10725	A	10081	A	4841	A	4875	A	4425	A	2194	A	6201	A	5815	A	2789	A	5362	A	5169	A	2421	A	6435	A	6049	A	2905	A
Eleventh Ave @ 35th St	North	10	5550	A	5413	A	3608	A	2775	A	2707	A	1804	A	5550	A	5345	A	3608	A												
	East	11	6105	A	6105	A	1994	A	6105	A	6105	A	1994	A	6105	A	6105	A	1994	A												
	South	11	9157	A	8482	A	5954	A	4579	A	4184	A	2977	A	18315	A	16963	A	11907	A												
Eleventh Ave @ 36th St	North	11	3135	A	3135	A	3149	A	3135	A	3135	A	3149	A	4703	A	4703	A	4724	A												
	East	10	8550	A	4986	A	3999	A	4275	A	2238	A	1999	A	1710	A	784	A	800	A												
	South	11	1881	A	1881	A	1907	A	1881	A	1881	A	1907	A	1881	A	1881	A	1907	A												
Eleventh Ave @ 37th St	North	10	2137	A	2078	A	1925	A	4275	A	4156	A	3850	A	2850	A	2692	A	2567	A												
	East	8	19800	A	19800	A	6028	A	2829	A	2829	A	861	A	9900	A	9900	A	3014	A												
	South	10	1881	A	1881	A	1907	A	570	A	507	A	513	A	4275	A	3562	A	3850	A												
Eleventh Ave @ 38th St	North	9	3847	A	3847	A	3465	A	513	A	513	A	462	A	3847	A	3847	A	3465	A												
	East	8	3420	A	1544	A	1722	A	760	A	343	A	383	A	3420	A	1544	A	1722	A												
	South	9	3847	A	3847	A	3465	A	2565	A	2565	A	2310	A	962	A	866	A	866	A												
Eleventh Ave @ 39th St	North	10	4200	A	4119	A	2800	A	663	A	637	A	442	A	6300	A	6300	A	4200	A	6300	A	6056	A	4200	A	1260	A	1162	A	840	A
	East	11	5692	A	5692	A	1591	A	4554	A	4554	A	1273	A	7590	A	7590	A	2121	A	11385	A	13801	A	3182	A	5692	A	5692	A	1591	A
	South	12	7560	A	5872	A	5202	A	7560	A	5872	A	5202	A	6716	A	6716	A	5202	A	1890	A	1644	A	1301	A	889	A	691	A	612	A
	West	13	354	A	354	A	107	B	3364	A	3364	A	1012	A	8970	A	8970	A	2700	A	2242	A	2242	A	675	A	1495	A	1495	A	450	A
Eleventh Ave @ 40th St	North	11	3135	A	3135	A	2823	A	3135	A	3135	A	2823	A	4702	A	4702	A	4235	A												
	East	10	8250	A	5676	A	3724	A	4950	A	3643	A	2234	A	12375	A	7178	A	5586	A												
	South	11	4702	A	4702	A	4235	A	1881	A	1881	A	1694	A	523	A	523	A	471	A												
	West	13	2011	A	1971	A	612	A	2925	A	2925	A	890	A	1893	A	1855	A	576	A												
Eleventh Ave @ 42nd St	North	15	6750	A	6750	A	4169	A	964	A	964	A																				

**Appendix S.5.5**  
Existing Conditions : Crosswalks Level of Service

Intersection	Crosswalk	Crosswalk Width	AM						MD						PM						SE-EVE						SE-SUN							
			W/O/V		W/V		MAX S		W/O/V		W/V		MAX S		W/O/V		W/V		MAX S		W/O/V		W/V		MAX S		W/O/V		W/V		MAX S			
			SF/P	LOS	SF/P	LOS	SF/P	LOS	SF/P	LOS	SF/P	LOS	SF/P	LOS	SF/P	LOS	SF/P	LOS	SF/P	LOS	SF/P	LOS	SF/P	LOS	SF/P	LOS	SF/P	LOS	SF/P	LOS	SF/P	LOS		
Tenth Ave @ 38th St	North	10	1519	A	1455	A	1002	A	434	A	388	A	286	A	868	A	777	A	573	A														
	East	13	3928	A	3716	A	1180	A	1718	A	1477	A	516	A	1528	A	1456	A	459	A														
	South	10	6075	A	6075	A	4010	A	715	A	715	A	472	A	810	A	810	A	535	A														
	West	13	2500	A	2500	A	751	A	2115	A	2115	A	635	A	1718	A	1718	A	516	A														
Tenth Ave @ 39th St	North	13	9360	A	8698	A	5567	A	9360	A	8864	A	5567	A	6240	A	6240	A	3711	A														
	East	10	1350	A	1350	A	413	A	1350	A	1350	A	413	A	1181	A	1181	A	362	A														
	South	13	3120	A	3120	A	1856	A	3744	A	3744	A	2227	A	1248	A	1248	A	742	A														
	West	11	4158	A	4080	A	1675	A	2970	A	2578	A	1196	A	1299	A	1299	A	523	A														
Tenth Ave @ 40th St	North	11	2722	A	2675	A	1583	A	3267	A	3154	A	1900	A	1634	A	1605	A	950	A														
	East	13	1043	A	968	A	354	A	11992	A	11418	A	4068	A	1199	A	1027	A	407	A														
	South	10	4950	A	4950	A	3051	A	4950	A	4950	A	3051	A	3712	A	3712	A	2288	A														
	West	13	11992	A	11992	A	3400	A	4797	A	4797	A	1360	A	1411	A	1411	A	400	A														
Tenth Ave @ 41st St	North	13.8	1534	A	1282	A	795	A	2608	A	2251	A	1352	A	1534	A	1513	A	795	A														
	East	13.1	726	A	726	A	386	A	460	A	460	A	244	A	472	A	472	A	251	A														
	South	13.5	12757	A	12757	A	6655	A	2126	A	2126	A	1109	A	2320	A	2320	A	1210	A														
	West	11.1	1230	A	976	A	357	A	2283	A	1718	A	662	A	940	A	863	A	273	A														
Tenth Ave @ 42nd St	North	17.3	212	A	104	B	128	B	240	A	163	A	146	A	162	A	97	B	98	B														
	East	14.5	652	A	635	A	292	A	744	A	723	A	332	A	477	A	471	A	213	A														
	South	13.8	239	A	239	A	163	A	235	A	235	A	160	A	222	A	222	A	151	A														
	West	15	1002	A	967	A	497	A	945	A	911	A	468	A	848	A	828	A	420	A														
Dyer @ 42nd St	East	13.6	2924	A	2251	A	890	A	4386	A	3601	A	1335	A	2392	A	2086	A	728	A														
	South	14	291	A	291	A	111	B	235	A	235	A	89	B	142	A	142	A	54	B														
	West	12	3317	A	2214	A	1010	A	4644	A	3575	A	1414	A	1222	A	784	A	372	A														
	North	11.7	267	A	267	A	155	A	965	A	965	A	560	A	965	A	965	A	560	A														
Ninth Ave @ 30th St	East	14.3	326	A	281	A	99	B	310	A	268	A	94	B	281	A	235	A	85	B														
	South	15.1	255	A	226	A	137	A	623	A	564	A	335	A	431	A	382	A	232	A														
	West	14.5	119	B	118	B	80	B	582	A	576	A	392	A	569	A	564	A	383	A														
	North	16.5	2005	A	2005	A	1368	A	378	A	378	A	258	A	1253	A	1253	A	855	A														
Ninth Ave @ 31st St	East	13	278	A	278	A	75	B	3055	A	3055	A	830	A	598	A	598	A	162	A														
	South	14	137	A	125	B	88	B	200	A	183	A	128	B	347	A	302	A	222	A														
	West	13	436	A	426	A	130	A	443	A	433	A	132	A	809	A	732	A	240	A														
	North	12.5	103	B	103	B	66	B	108	B	108	B	79	B	1366	A	1366	A	816	A														
Ninth Ave @ 33rd St	East	14	380	A	380	A	112	B	177	A	177	A	52	B	219	A	219	A	65	B														
	South	19.5	80	B	75	B	52	B	258	A	241	A	167	A	138	A	129	B	89	B														
	West	13.5	310	A	278	A	85	B	180	A	170	A	49	B	1586	A	1463	A	437	A														
	North	20	171	A	171	A	112	B	172	A	172	A	113	B	92	B	92	B	60	B														
Ninth Ave @ 34th St	East	15	162	A	147	A	76	B	139	A	126	B	65	B	98	B	91	B	45	B														
	South	20	105	B	86	B	67	B	125	B	97	B	79	B	97	B	80	B	62	B														
	West	15	257	A	247	A	136	A	133	A	131	A	71	B	212	A	203	A	112	B														
	North	10	810	A	810	A	535	A	328	A	328	A	217	A	140	A	140	A	92	B														
Ninth Ave @ 37th St	East	13	190	A	190	A	57	B	181	A	181	A	54	B	109	B	109	B	33	C														
	South	10	675	A	548	A	446	A	320	A	273	A	211	A	213	A	164	A	141	A														
	West	13	509	A	473	A	153	A	385	A	558	A	176	A	423	A	383	A	127	B														
	North	9	841	A	841	A	555	A	1562	A	1562	A	1031	A	273	A	273	A	180	A														
Ninth Ave @ 38th St	East	13	195	A	155	A	60	B	372	A	329	A	114	B	176	A	148	A	54	B														
	South	9	841	A	788	A	555	A	1215	A	1139	A	802	A	331	A	317	A	219	A														
	West	13	443	A	443	A	136	A	316	A	316	A	97	B	417	A	417	A	128	B														
	North	10	579	A	579	A	382	A	552	A	552	A	365	A	229	A	229	A	151	A														
Ninth Ave @ 39th St	East	13	198	A	198	A	59	B	186	A	186	A	56	B	105	B	105	B	32	C														
	South	10	1012	A	928	A	668	A	486	A	435	A	321	A	467	A	418	A	308	A														
	West	13	430	A	409	A	129	B	529	A	479	A	159	A	252	A	252	A	76	B														
	North	14.7	106	B	106	B	71	B	103</																									

**Appendix S.5.5**  
Existing Conditions : Crosswalks Level of Service

Intersection	Crosswalk	Crosswalk Width	AM								MD								PM								SE-EVE						SE-SUN					
			WO/V		W/V		MAX S		WO/V		W/V		MAX S		WO/V		W/V		MAX S		WO/V		W/V		MAX S		WO/V		W/V		MAX S							
			SF/P	LOS	SF/P	LOS	SF/P	LOS	SF/P	LOS	SF/P	LOS	SF/P	LOS	SF/P	LOS	SF/P	LOS	SF/P	LOS	SF/P	LOS	SF/P	LOS	SF/P	LOS	SF/P	LOS	SF/P	LOS	SF/P	LOS						
Eighth Ave @ 38th St	North	12	440	A	383	A	249	A	571	A	527	A	315	A	1181	A	1086	A	670	A																		
	East	15	203	A	168	A	63	B	176	A	155	A	56	B	1097	A	911	A	343	A																		
	South	12	386	A	386	A	219	A	196	A	196	A	108	B	282	A	282	A	160	A																		
	West	15	119	B	119	B	39	C	238	A	238	A	80	B	2633	A	2633	A	863	A																		
Eighth Ave @ 39th St	North	10	162	A	147	A	89	B	108	B	100	B	60	B	173	A	158	A	96	B																		
	East	13	32	C	32	C	10	E	57	B	57	B	18	D	30	C	30	C	10	E																		
	South	10	151	A	151	A	84	B	24	C	24	C	13	E	102	B	102	B	56	B																		
	West	13	38	C	35	C	12	E	38	C	33	C	12	E	19	D	18	D	6	E																		
Eighth Ave @ 42nd St	North	19	42	B	39	C	32	C	80	B	68	B	62	B	34	C	31	C	26	C																		
	East	26	76	B	64	B	37	C	80	B	73	B	39	C	35	C	32	C	17	D																		
	South	19	15	D	15	D	11	E	37	C	37	C	28	C	15	D	15	D	11	E																		
	West	27	39	C	39	C	21	D	100	B	96	B	53	B	29	C	29	C	16	D																		
Seventh Ave @ 31st St	North	11	38	C	38	C	23	D	68	B	68	B	41	B	31	C	31	C	18	D																		
	East	17	79	B	79	B	24	C	72	B	72	B	21	D	58	B	58	B	17	D																		
	South	11	59	B	54	B	29	C	78	B	71	B	39	C	31	C	29	C	16	D																		
	West	17	63	B	55	B	22	D	117	B	109	B	42	B	52	B	48	B	18	D																		
Seventh Ave @ 33rd St	North	11	20	D	20	D	15	D	24	C	24	C	18	D	15	D	15	D	11	E																		
	East	17	86	B	86	B	25	C	95	B	95	B	27	C	83	B	83	B	24	C																		
	South	11	14	E	13	E	12	E	18	D	17	D	15	D	16	D	15	D	14	E																		
	West	17	79	B	71	B	21	D	80	B	72	B	21	D	70	B	61	B	18	D																		
Seventh Ave @ 34th St	North	21	55	B	55	B	29	C	57	B	57	B	30	C	238	A	238	A	125	B																		
	East	18	90	B	90	B	39	C	94	B	94	B	40	B	237	A	237	A	102	B																		
	South	21	49	B	47	B	26	C	99	B	95	B	52	B	184	A	169	A	97	B																		
	West	18	31	C	31	C	13	E	77	B	77	B	33	C	177	A	177	A	76	B																		
Sixth Ave @ 33rd St	North	15	38	C	38	C	41	B	31	C	31	C	33	C	22	D	22	D	23	D																		
	East	25	283	A	283	A	209	A	197	A	197	A	146	A	135	A	135	A	100	B																		
	South	20	48	B	48	B	63	B	47	B	47	B	62	B	22	D	22	D	29	C																		
	West	24	87	B	73	B	27	C	65	B	53	B	20	D	57	B	44	B	17	D																		
Sixth Ave @ 34th St	North	21	43	B	43	B	55	B	17	D	17	D	22	D	18	D	17	D	23	D	66	B	66	B	85	B	36	C	36	C	47	B						
	East	15	49	B	48	B	21	D	28	C	28	C	12	E	34	C	34	C	14	E	95	B	94	B	40	B	50	B	50	B	21	D						
	South	21	35	C	35	C	37	C	17	D	17	D	18	D	18	D	18	D	19	D	48	B	48	B	50	B	29	C	29	C	30	C						
Broadway @ 34th St	North	21	19	D	19	D	25	C	16	D	15	D	20	D	16	D	15	D	20	D	46	B	46	B	60	B	37	C	36	C	47	B						
	South	21	35	C	35	C	37	C	17	D	17	D	18	D	18	D	18	D	19	D	48	B	48	B	50	B	46	B	46	B	48	B						
West	28	106	B	106	B	44	B	36	C	36	C	15	D	37	C	37	C	15	D	162	A	162	A	67	B	128	B	128	B	53	B							

## Appendix S.5.5

### Pedestrian Improvement Analysis - Crosswalk Level of Service

#### 2010 Future Conditions (AM)

Intersection	Crosswalk Location	2010 Future without the Proposed Action				2010 Future with the Proposed Action					2010 Future with the Proposed Action (Improvement)					
		Crosswalk length (Curb-to-Curb)	Crosswalk width	Pedestrian Space (s.f./ped.)	Surge Level of Service	Crosswalk length (Curb-to-Curb)	Crosswalk width	Pedestrian Space (s.f./ped.)	Surge Level of Service	Impact?	Proposed Crosswalk length	Proposed Crosswalk width	Signal Timing	Pedestrian Space (s.f./ped.)	Surge Level of Service	Still Impact?
<b>Twelfth Ave @ 30th St</b>	NORTH	0	0	N/A	N/A	0	0	N/A	N/A					N/A	N/A	
	EAST	33	19	4319	A	33	19	2159	A					4319	A	
	SOUTH	141	15	1696	A	141	15	1484	A					1484	A	
	WEST	0	0	N/A	N/A	0	0	N/A	N/A					N/A	N/A	
<b>Twelfth Ave @ 34th St</b>	NORTH	0	0	N/A	N/A	0	0	N/A	N/A				33	N/A	N/A	
	EAST	60	14	4378	A	60	14	1751	A				76	2790	A	
	SOUTH	120	15	219	A	120	15	211	A				33	217	A	
	WEST	0	0	N/A	N/A	0	0	N/A	N/A				76	N/A	N/A	
<b>Twelfth Ave @ 39th St</b>	NORTH	0	0	N/A	N/A	131	20	369	A					369	A	
	EAST	49	11	2556	A	0	0	N/A	N/A				95	N/A	N/A	
	SOUTH	131	15	284	A	0	0	N/A	N/A					N/A	N/A	
	WEST	0	0	N/A	N/A	0	0	N/A	N/A				95	N/A	N/A	
<b>Twelfth Ave @ 40th St</b>	NORTH	0	0	N/A	N/A	0	0	N/A	N/A					N/A	N/A	
	EAST	38	14	1917	A	0	0	N/A	N/A					N/A	N/A	
	SOUTH	139	15	6521	A	0	0	N/A	N/A					N/A	N/A	
	WEST	0	0	N/A	N/A	0	0	N/A	N/A					N/A	N/A	
<b>Twelfth Ave @ 42nd St</b>	NORTH	140	15	236	A	140	15	232	A					232	A	
	EAST	70	15	1055	A	70	15	678	A					678	A	
	SOUTH	140	15	216	A	140	15	216	A					216	A	
	WEST	0	0	N/A	N/A	0	0	N/A	N/A					N/A	N/A	
<b>Eleventh Ave @ 29th St</b>	NORTH	70	11	3370	A	70	11	361	A					361	A	
	EAST	34	13	505	A	34	13	219	A					219	A	
	SOUTH	70	11	5054	A	70	11	5054	A					5054	A	
	WEST	34	13	1095	A	34	13	547	A					547	A	
<b>Eleventh Ave @ 30th St</b>	NORTH	70	11	1685	A	70	11	326	A				17	504	A	
	EAST	34	13	1095	A	34	13	328	A				20	505	A	
	SOUTH	70	11	5054	A	70	11	505	A				17	781	A	
	WEST	34	13	1095	A	34	13	117	B				20	180	A	
<b>Eleventh Ave @ 33rd St</b>	NORTH	70	11	4147	A	70	11	296	A				17	458	A	
	EAST	34	13	728	A	34	13	198	A				20	305	A	
	SOUTH	70	11	4147	A	70	11	307	A				17	475	A	
	WEST	36	13	916	A	0	0	N/A	N/A					N/A	N/A	
<b>Eleventh Ave @ 34th St</b>	NORTH	73	18	521	A	73	18	95	B				20	41	136	A
	EAST	59	12	368	A	59	12	119	B				20	39	143	A
	SOUTH	71	18	457	A	71	18	137	A				20	41	194	A
	WEST	60	13	692	A	60	13	147	A				20	39	162	A
<b>Eleventh Ave @ 35th St</b>	NORTH	87	10	3608	A	87	10	1804	A					1804	A	
	EAST	37	11	460	A	37	11	19	D					19	D	
	SOUTH	87	11	5954	A	87	11	225	A					225	A	
	WEST	0	0	N/A	N/A	0	0	N/A	N/A					N/A	N/A	
<b>Eleventh Ave @ 36th St</b>	NORTH	86	11	3149	A	86	11	1890	A					1890	A	
	EAST	35	10	444	A	35	10	73	B					73	B	
	SOUTH	87	11	1907	A	87	11	132	A					132	A	
	WEST	0	0	N/A	N/A	0	0	N/A	N/A					N/A	N/A	

### Appendix S.5.5

#### Pedestrian Improvement Analysis - Crosswalk Level of Service

##### 2010 Future Conditions (AM)

Intersection	Crosswalk Location	2010 Future without the Proposed Action				2010 Future with the Proposed Action					2010 Future with the Proposed Action (Improvement)					
		Crosswalk length (Curb-to-Curb)	Crosswalk width	Pedestrian Space (s.f./ped.)	Surge Level of Service	Crosswalk length (Curb-to-Curb)	Crosswalk width	Pedestrian Space (s.f./ped.)	Surge Level of Service	Impact?	Proposed Crosswalk length	Proposed Crosswalk width	Signal Timing	Pedestrian Space (s.f./ped.)	Surge Level of Service	Still Impact?
<b>Eleventh Ave @ 37th St</b>	NORTH	75	10	1925	A	75	10	1283	A					1283	A	
	EAST	36	8	670	A	36	8	116	B					116	B	
	SOUTH	75	10	3850	A	75	10	1925	A					1925	A	
	WEST	0	0	N/A	N/A	0	0	N/A	N/A					N/A	N/A	
<b>Eleventh Ave @ 38th St</b>	NORTH	75	9	3465	A	75	9	1732	A					1732	A	
	EAST	38	8	1722	A	38	8	203	A					203	A	
	SOUTH	75	9	3465	A	75	9	1732	A					1732	A	
	WEST	0	0	N/A	N/A	0	0	N/A	N/A			0		N/A	N/A	
<b>Eleventh Ave @ 39th St</b>	NORTH	73	10	2800	A	73	10	1680	A			17		2856	A	
	EAST	33	11	1591	A	33	11	796	A			20		1446	A	
	SOUTH	76	12	400	A	76	12	359	A			17		508	A	
	WEST	36	13	103	B	0	0	N/A	N/A					N/A	N/A	
<b>Eleventh Ave @ 40th St</b>	NORTH	75	11	2823	A	75	11	605	A					605	A	
	EAST	60	10	3724	A	60	10	1601	A					1601	A	
	SOUTH	75	11	4235	A	75	11	4235	A					4235	A	
	WEST	36	13	612	A	0	0	N/A	N/A					N/A	N/A	
<b>Eleventh Ave @ 42nd St</b>	NORTH	70	15	128	B	70	15	82	B					82	B	
	EAST	69	13	204	A	69	13	160	A					160	A	
	SOUTH	71	15	124	B	71	15	82	B					82	B	
	WEST	68	14	154	A	68	14	107	B					107	B	
<b>Tenth Ave @ 29th St</b>	NORTH	70	11	353	A	70	11	353	A					353	A	
	EAST	34	13	291	A	34	13	315	A					315	A	
	SOUTH	70	11	245	A	70	11	245	A					245	A	
	WEST	34	13	183	A	34	13	167	A					167	A	
<b>Tenth Ave @ 30th St</b>	NORTH	71	14	454	A	71	14	355	A			17		431	A	
	EAST	35	16	320	A	35	16	301	A			20		376	A	
	SOUTH	74	13	519	A	74	13	454	A			17		594	A	
	WEST	35	18	302	A	35	18	272	A			20		303	A	
<b>Tenth Ave @ 31st St</b>	NORTH	70	13	2085	A	70	13	652	A			17		852	A	
	EAST	34	12	202	A	34	12	182	A			20		303	A	
	SOUTH	70	11	4411	A	70	11	1260	A			17		1948	A	
	WEST	0	0	N/A	N/A	0	0	N/A	N/A					N/A	N/A	
<b>Tenth Ave @ 33rd St</b>	NORTH	69	12	232	A	69	12	86	B			17		122	B	
	EAST	32	14	215	A	32	14	141	A			20		201	A	
	SOUTH	71	11	203	A	71	11	76	B			17		117	B	
	WEST	35	13	268	A	35	13	141	A			20		217	A	
<b>Tenth Ave @ 34th St</b>	NORTH	69	18	136	A	69	18	65	B			33		68	B	
	EAST	59	13	332	A	59	13	262	A			47		248	A	
	SOUTH	68	18	155	A	68	18	66	B			33		69	B	
	WEST	59	13	397	A	59	13	280	A			47		265	A	
<b>Tenth Ave @ 35th St</b>	NORTH	71	11	146	A	71	11	59	B					59	B	
	EAST	34	12	1211	A	34	12	346	A					346	A	
	SOUTH	71	0	N/A	N/A	71	12	58	B					58	B	
	WEST	34	12	427	A	34	12	119	B					119	B	

## Appendix S.5.5

### Pedestrian Improvement Analysis - Crosswalk Level of Service

#### 2010 Future Conditions (AM)

Intersection	Crosswalk Location	2010 Future without the Proposed Action				2010 Future with the Proposed Action					2010 Future with the Proposed Action (Improvement)					
		Crosswalk length (Curb-to-Curb)	Crosswalk width	Pedestrian Space (s.f./ped.)	Surge Level of Service	Crosswalk length (Curb-to-Curb)	Crosswalk width	Pedestrian Space (s.f./ped.)	Surge Level of Service	Impact?	Proposed Crosswalk length	Proposed Crosswalk width	Signal Timing	Pedestrian Space (s.f./ped.)	Surge Level of Service	Still Impact?
<b>Tenth Ave @ 36th St</b>	NORTH	70	10	535	A	70	10	382	A				382	A		
	EAST	37	12	73	B	37	12	70	B				70	B		
	SOUTH	70	11	126	B	70	11	118	B				118	B		
	WEST	36	12	106	B	36	12	77	B				77	B		
<b>Tenth Ave @ 37th St</b>	NORTH	70	10	294	A	70	10	211	A				211	A		
	EAST	36	13	194	A	36	13	153	A				153	A		
	SOUTH	70	10	1029	A	70	10	484	A				484	A		
	WEST	36	13	318	A	36	13	181	A				181	A		
<b>Tenth Ave @ 38th St</b>	NORTH	70	10	1002	A	70	10	617	A				617	A		
	EAST	36	13	751	A	36	13	435	A				435	A		
	SOUTH	70	10	2673	A	70	10	891	A				891	A		
	WEST	36	13	590	A	36	13	359	A				359	A		
<b>Tenth Ave @ 39th St</b>	NORTH	70	13	742	A	70	13	586	A				586	A		
	EAST	36	10	276	A	36	10	181	A				181	A		
	SOUTH	70	13	586	A	70	13	464	A				464	A		
	WEST	50	11	761	A	50	11	493	A				493	A		
<b>Tenth Ave @ 40th St</b>	NORTH	69.5	11	863	A	69.5	11	452	A				452	A		
	EAST	40.3	13	262	A	40.3	13	173	A				173	A		
	SOUTH	74.9	10	1831	A	74.9	10	1144	A				1144	A		
	WEST	32.7	13	850	A	32.7	13	486	A				486	A		
<b>Tenth Ave @ 41st St</b>	NORTH	68.9	13.8	265	A	68.9	13.8	180	A				180	A		
	EAST	60.8	13.1	278	A	60.8	13.1	154	A				154	A		
	SOUTH	69.5	13.5	4437	A	69.5	13.5	1479	A				1479	A		
	WEST	30	11.1	221	A	30	11.1	185	A				185	A		
<b>Tenth Ave @ 42nd St</b>	NORTH	59.3	17.3	56	B	59.3	17.3	44	B			34	48	B		
	EAST	59.3	14.5	246	A	59.3	14.5	160	A			46	144	A		
	SOUTH	68.4	13.8	80	B	68.4	13.8	62	B			34	67	B		
	WEST	68.2	15	400	A	68.2	15	349	A			46	315	A		
<b>Dyer @ 42nd St</b>	NORTH	0	0	N/A	N/A	0	0	N/A	N/A				N/A	N/A		
	EAST	36	13.6	890	A	36	13.6	890	A				890	A		
	SOUTH	40	14	99	B	40	14	80	B				80	B		
	WEST	36	12	1010	A	36	12	1010	A				1010	A		
<b>Ninth Ave @ 30th St</b>	NORTH	69.3	11.7	116	B	69.3	11.7	108	B				108	B		
	EAST	35.5	14.3	71	B	35.5	14.3	71	B				71	B		
	SOUTH	63	15.1	122	B	63	15.1	118	B				118	B		
	WEST	97.6	14.5	70	B	97.6	14.5	70	B				70	B		
<b>Ninth Ave @ 31st St</b>	NORTH	73	24	423	A	73	24	337	A				337	A		
	EAST	32	24	85	B	32	24	84	B				84	B		
	SOUTH	67.2	14	77	B	67.2	14	74	B				74	B		
	WEST	35.5	13	100	B	35.5	13	96	B				96	B		
<b>Ninth Ave @ 33rd St</b>	NORTH	68	12.5	53	B	68	12.5	38	C			17	52	B		
	EAST	35.2	24	90	B	35.2	24	56	B				56	B		
	SOUTH	68.4	24	50	B	68.4	24	42	B				42	B		
	WEST	32.5	13.5	43	B	32.5	13.5	30	C			20	45	B		

## Appendix S.5.5

### Pedestrian Improvement Analysis - Crosswalk Level of Service

#### 2010 Future Conditions (AM)

Intersection	Crosswalk Location	2010 Future without the Proposed Action				2010 Future with the Proposed Action					2010 Future with the Proposed Action (Improvement)					
		Crosswalk length (Curb-to-Curb)	Crosswalk width	Pedestrian Space (s.f./ped.)	Surge Level of Service	Crosswalk length (Curb-to-Curb)	Crosswalk width	Pedestrian Space (s.f./ped.)	Surge Level of Service	Impact?	Proposed Crosswalk length	Proposed Crosswalk width	Signal Timing	Pedestrian Space (s.f./ped.)	Surge Level of Service	Still Impact?
<b>Ninth Ave @ 34th St</b>	NORTH	69.3	20	67	B	69.3	20	47	B					47	B	
	EAST	51.7	15	49	B	51.7	15	45	B					45	B	
	SOUTH	66.9	20	55	B	66.9	20	40	B					40	B	
	WEST	60.5	15	85	B	60.5	15	78	B					78	B	
<b>Ninth Ave @ 37th St</b>	NORTH	70	10	401	A	70	10	297	A					297	A	
	EAST	36	13	52	B	36	13	50	B					50	B	
	SOUTH	70	10	382	A	70	10	286	A					286	A	
	WEST	36	13	31	C	36	13	30	C					30	C	
<b>Ninth Ave @ 38th St</b>	NORTH	70	9	481	A	70	9	278	A					278	A	
	EAST	37	13	56	B	37	13	52	B					52	B	
	SOUTH	70	9	481	A	70	9	226	A					226	A	
	WEST	37	13	128	B	37	13	119	B					119	B	
<b>Ninth Ave @ 39th St</b>	NORTH	70	10	200	A	70	10	182	A					182	A	
	EAST	36	13	52	B	36	13	50	B					50	B	
	SOUTH	70	10	160	A	70	10	157	A					157	A	
	WEST	36	13	110	B	36	13	112	B					112	B	
<b>Ninth Ave @ 42nd St</b>	NORTH	69	14.7	41	B	69	14.7	28	C					28	C	
	EAST	60.8	13.8	41	B	60.8	13.8	40	B					40	B	
	SOUTH	70.5	10	31	C	70.5	10	16	D			17		27	C	
	WEST	59.2	12.5	51	B	59.2	12.5	27	C					27	C	
<b>Eighth Ave @ 30th St</b>	NORTH	69.2	12	152	A	69.2	12	140	A					140	A	
	EAST	31.3	12.6	33	C	31.3	12.6	33	C			20		53	B	
	SOUTH	70.1	11.5	210	A	70.1	11.5	190	A					190	A	
	WEST	32.9	12.5	46	B	32.9	12.5	46	B			20		74	B	
<b>Eighth Ave @ 31st St</b>	NORTH	70	24	82	B	70	24	80	B					80	B	
	EAST	42	14.5	31	C	42	14.5	31	C			20		42	B	
	SOUTH	70	14.5	113	B	70	14.5	108	B					108	B	
	WEST	34	24	70	B	34	24	70	B					70	B	
<b>Eighth Ave @ 33rd St</b>	NORTH	66.4	14.5	27	C	66.4	14.5	25	C			17		30	C	
	EAST	31.7	20	21	D	31.7	20	20	D					20	D	
	SOUTH	70.2	24	35	C	70.2	24	34	C					34	C	
	WEST	32.5	24	10	E	32.5	24	10	E					10	E	
<b>Eighth Ave @ 34th St</b>	NORTH	66.8	20	54	B	66.8	20	44	B				32	39	C	
	EAST	53.5	13	32	C	53.5	13	28	C			20	34	39	C	
	SOUTH	67.7	20	55	B	67.7	20	47	B					32	42	B
	WEST	54.3	13	27	C	54.3	13	23	D			20	34	33	C	
<b>Eighth Ave @ 37th St</b>	NORTH	70	11	105	B	70	11	101	B					101	B	
	EAST	36	13	22	D	36	13	21	D			20		33	C	
	SOUTH	70	11	96	B	70	11	90	B					90	B	
	WEST	35	13	16	D	35	13	16	D			20		24	C	
<b>Eighth Ave @ 38th St</b>	NORTH	70	12	238	A	70	12	195	A					195	A	
	EAST	36	15	59	B	36	15	56	B			20		75	B	
	SOUTH	70	12	198	A	70	12	170	A					170	A	
	WEST	38	15	37	C	38	15	36	C			20		47	B	



## Appendix S.5.5

### Pedestrian Improvement Analysis - Crosswalk Level of Service

#### 2010 Future Conditions (AM)

Intersection	Crosswalk Location	2010 Future without the Proposed Action				2010 Future with the Proposed Action					2010 Future with the Proposed Action (Improvement)					
		Crosswalk length (Curb-to-Curb)	Crosswalk width	Pedestrian Space (s.f./ped.)	Surge Level of Service	Crosswalk length (Curb-to-Curb)	Crosswalk width	Pedestrian Space (s.f./ped.)	Surge Level of Service	Impact?	Proposed Crosswalk length	Proposed Crosswalk width	Signal Timing	Pedestrian Space (s.f./ped.)	Surge Level of Service	Still Impact?
<b>Eighth Ave @ 39th St</b>	NORTH	70	10	71	B	70	10	69	B					69	B	
	EAST	36	13	9	E	36	13	9	E			20		15	D	
	SOUTH	70	10	64	B	70	10	61	B					61	B	
	WEST	36	13	12	E	36	13	11	E	Yes		20		17	D	
<b>Eighth Ave @ 42nd St</b>	NORTH	71	19	24	C	71	19	22	D			20		23	D	
	EAST	55	26	33	C	55	26	32	C					32	C	
	SOUTH	69	19	10	E	69	19	9	E	Yes		20		10	E	
	WEST	60	27	19	D	60	27	18	D					18	D	
<b>Seventh Ave @ 31st St</b>	NORTH	75	11	18	D	75	11	17	D			17		27	C	
	EAST	34	17	22	D	34	17	22	D			23		30	C	
	SOUTH	60	11	28	C	60	11	28	C			17		43	B	
	WEST	42	17	21	D	42	17	21	D			23		29	C	
<b>Seventh Ave @ 33rd St</b>	NORTH	60	11	11	E	60	11	11	E			17		17	D	
	EAST	34	17	21	D	34	17	20	D					20	D	
	SOUTH	70	11	9	E	70	11	9	E			17		14	E	
	WEST	30	17	17	D	30	17	16	D			20		19	D	
<b>Seventh Ave @ 34th St</b>	NORTH	60	21	26	C	60	21	25	C					25	C	
	EAST	54	18	34	C	54	18	33	C					33	C	
	SOUTH	60	21	22	D	60	21	21	D					21	D	
	WEST	54	18	13	E	54	18	13	E					13	E	
<b>Sixth Ave @ 33rd St</b>	NORTH	120	15	39	C	120	15	39	C					39	C	
	EAST	34	25	201	A	34	25	201	A					201	A	
	SOUTH	160	20	58	B	160	20	57	B					57	B	
	WEST	34	24	24	C	34	24	24	C					24	C	
<b>Sixth Ave @ 34th St</b>	NORTH	156	21	51	B	156	21	50	B					50	B	
	EAST	54	15	20	D	54	15	20	D					20	D	
	SOUTH	116	21	35	C	116	21	34	C					34	C	
	WEST	0	0	N/A	N/A	0	0	N/A	N/A					N/A	N/A	
<b>Broadway @ 34th St</b>	NORTH	156	21	23	D	156	21	23	D					23	D	
	EAST	0	0	N/A	N/A	0	0	N/A	N/A					N/A	N/A	
	SOUTH	116	21	35	C	116	21	34	C					34	C	
	WEST	54	28	42	B	54	28	42	B					42	B	
<b>Blvd @ 33rd St</b>	NORTH	0	0	N/A	N/A	30	20	111	B			30		111	B	
	EAST	0	0	N/A	N/A	35	20	443	A			50		443	A	
	SOUTH	0	0	N/A	N/A	0	0	N/A	N/A					N/A	N/A	
	WEST	0	0	N/A	N/A	35	20	185	A			50		185	A	
<b>Blvd @ 34th St</b>	NORTH	0	0	N/A	N/A	30	20	29	C					29	C	
	EAST	0	0	N/A	N/A	59	20	208	A					208	A	
	SOUTH	0	0	N/A	N/A	30	20	18	D					18	D	
	WEST	0	0	N/A	N/A	59	20	43	B					43	B	

## Appendix S.5.5

### Pedestrian Improvement Analysis - Crosswalk Level of Service

#### 2010 Future Conditions (MD)

Intersection	Crosswalk Location	2010 Future without the Proposed Action				2010 Future with the Proposed Action					2010 Future with the Proposed Action (Improvement)					
		Crosswalk length (Curb-to-Curb)	Crosswalk width	Pedestrian Space (s.f./ped.)	Surge Level of Service	Crosswalk length (Curb-to-Curb)	Crosswalk width	Pedestrian Space (s.f./ped.)	Surge Level of Service	Impact?	Proposed Crosswalk length	Proposed Crosswalk width	Signal Timing	Pedestrian Space (s.f./ped.)	Surge Level of Service	Still Impact?
<b>Twelfth Ave @ 30th St</b>	NORTH	0	0	N/A	N/A	0	0	N/A	N/A					N/A	N/A	
	EAST	33	19	3118	A	33	19	3118	A			69		3067	A	
	SOUTH	141	15	7302	A	141	15	7302	A					7302	A	
	WEST	0	0	N/A	N/A	0	0	N/A	N/A			69		N/A	N/A	
<b>Twelfth Ave @ 34th St</b>	NORTH	0	0	N/A	N/A	0	0	N/A	N/A					N/A	N/A	
	EAST	60	14	2476	A	60	14	1415	A					1981	A	
	SOUTH	120	15	127	B	120	15	123	B					123	B	
	WEST	0	0	N/A	N/A	0	0	N/A	N/A					N/A	N/A	
<b>Twelfth Ave @ 39th St</b>	NORTH	0	0	N/A	N/A	131	20	288	A					288	A	
	EAST	49	11	635	A	0	0	N/A	N/A			67		N/A	N/A	
	SOUTH	131	15	226	A	0	0	N/A	N/A					N/A	N/A	
	WEST	0	0	N/A	N/A	0	0	N/A	N/A			67		N/A	N/A	
<b>Twelfth Ave @ 40th St</b>	NORTH	0	0	N/A	N/A	0	0	N/A	N/A					N/A	N/A	
	EAST	38	14	1792	A	0	0	N/A	N/A					N/A	N/A	
	SOUTH	139	15	15270	A	0	0	N/A	N/A					N/A	N/A	
	WEST	0	0	N/A	N/A	0	0	N/A	N/A					N/A	N/A	
<b>Twelfth Ave @ 42nd St</b>	NORTH	140	15	139	A	140	15	138	A					138	A	
	EAST	70	15	842	A	70	15	673	A					673	A	
	SOUTH	140	15	156	A	140	15	156	A					156	A	
	WEST	0	0	N/A	N/A	0	0	N/A	N/A					N/A	N/A	
<b>Eleventh Ave @ 29th St</b>	NORTH	70	11	3370	A	70	11	562	A					562	A	
	EAST	34	13	81	B	34	13	55	B					55	B	
	SOUTH	70	11	3370	A	70	11	3370	A					3370	A	
	WEST	34	13	188	A	34	13	113	B					113	B	
<b>Eleventh Ave @ 30th St</b>	NORTH	70	11	151	A	70	11	122	B			17		188	A	
	EAST	34	13	98	B	34	13	49	B			20		75	B	
	SOUTH	70	11	3370	A	70	11	722	A			17		1116	A	
	WEST	34	13	124	B	34	13	57	B			20		87	B	
<b>Eleventh Ave @ 33rd St</b>	NORTH	70	11	2765	A	70	11	276	A			17		427	A	
	EAST	34	13	282	A	34	13	68	B			20		104	B	
	SOUTH	70	11	4147	A	70	11	332	A			17		513	A	
	WEST	36	13	2289	A	0	0	N/A	N/A					N/A	N/A	
<b>Eleventh Ave @ 34th St</b>	NORTH	73	18	203	A	73	18	101	B			20	43	139	A	
	EAST	59	12	80	B	59	12	39	C			20	37	50	B	
	SOUTH	71	18	216	A	71	18	93	B			20	43	128	B	
	WEST	60	13	263	A	60	13	88	B			20	37	105	B	
<b>Eleventh Ave @ 35th St</b>	NORTH	87	10	1804	A	87	10	492	A					492	A	
	EAST	37	11	51	B	37	11	24	C					24	C	
	SOUTH	87	11	2977	A	87	11	155	A					155	A	
	WEST	0	0	N/A	N/A	0	0	N/A	N/A					N/A	N/A	
<b>Eleventh Ave @ 36th St</b>	NORTH	86	11	3149	A	86	11	1050	A					859	A	
	EAST	35	10	39	C	35	10	22	D					22	D	
	SOUTH	87	11	1907	A	87	11	151	A					151	A	
	WEST	0	0	N/A	N/A	0	0	N/A	N/A					N/A	N/A	

## Appendix S.5.5

### Pedestrian Improvement Analysis - Crosswalk Level of Service

#### 2010 Future Conditions (MD)

Intersection	Crosswalk Location	2010 Future without the Proposed Action				2010 Future with the Proposed Action					2010 Future with the Proposed Action (Improvement)					
		Crosswalk length (Curb-to-Curb)	Crosswalk width	Pedestrian Space (s.f./ped.)	Surge Level of Service	Crosswalk length (Curb-to-Curb)	Crosswalk width	Pedestrian Space (s.f./ped.)	Surge Level of Service	Impact?	Proposed Crosswalk length	Proposed Crosswalk width	Signal Timing	Pedestrian Space (s.f./ped.)	Surge Level of Service	Still Impact?
<b>Eleventh Ave @ 37th St</b>	NORTH	75	10	3850	A	75	10	770	A					770	A	
	EAST	36	8	65	B	36	8	39	C					39	C	
	SOUTH	75	10	513	A	75	10	335	A					335	A	
	WEST	0	0	N/A	N/A	0	0	N/A	N/A					N/A	N/A	
<b>Eleventh Ave @ 38th St</b>	NORTH	75	9	462	A	75	9	267	A					267	A	
	EAST	38	8	383	A	38	8	68	B					68	B	
	SOUTH	75	9	2310	A	75	9	693	A					693	A	
	WEST	0	0	N/A	N/A	0	0	N/A	N/A					N/A	N/A	
<b>Eleventh Ave @ 39th St</b>	NORTH	73	10	442	A	73	10	311	A			17	43	625	A	
	EAST	33	11	1273	A	33	11	236	A			20	37	347	A	
	SOUTH	76	12	168	A	76	12	147	A			17	43	245	A	
	WEST	36	13	900	A	0	0	N/A	N/A				37	N/A	N/A	
<b>Eleventh Ave @ 40th St</b>	NORTH	75	11	2823	A	75	11	217	A					217	A	
	EAST	60	10	2234	A	60	10	377	A					377	A	
	SOUTH	75	11	1694	A	75	11	1694	A					1694	A	
	WEST	36	13	890	A	0	0	N/A	N/A					N/A	N/A	
<b>Eleventh Ave @ 42nd St</b>	NORTH	70	15	73	B	70	15	47	B				34	48	B	
	EAST	69	13	262	A	69	13	143	A				34	141	A	
	SOUTH	71	15	88	B	71	15	45	B				34	45	B	
	WEST	68	14	335	A	68	14	129	B				34	127	B	
<b>Tenth Ave @ 29th St</b>	NORTH	70	11	155	A	70	11	140	A					140	A	
	EAST	34	13	84	B	34	13	74	B					74	B	
	SOUTH	70	11	109	B	70	11	101	B					101	B	
	WEST	34	13	69	B	34	13	55	B					55	B	
<b>Tenth Ave @ 30th St</b>	NORTH	71	14	65	B	71	14	56	B			17		69	B	
	EAST	35	16	115	B	35	16	89	B			20		111	B	
	SOUTH	74	13	242	A	74	13	165	A			17		216	A	
	WEST	35	18	99	B	35	18	63	B			20		70	B	
<b>Tenth Ave @ 31st St</b>	NORTH	70	13	171	A	70	13	117	B			17		153	A	
	EAST	34	12	65	B	34	12	53	B			20		88	B	
	SOUTH	70	11	1260	A	70	11	304	A			17		470	A	
	WEST	0	0	N/A	N/A	0	0	N/A	N/A					N/A	N/A	
<b>Tenth Ave @ 33rd St</b>	NORTH	69	12	37	C	69	12	32	C			17		46	B	
	EAST	32	14	59	B	32	14	45	B			20		64	B	
	SOUTH	71	11	36	C	71	11	31	C			17		48	B	
	WEST	35	13	48	B	35	13	26	C			20		40	B	
<b>Tenth Ave @ 34th St</b>	NORTH	69	18	96	B	69	18	48	B				33	50	B	
	EAST	59	13	118	B	59	13	72	B				47	68	B	
	SOUTH	68	18	105	B	68	18	46	B				33	48	B	
	WEST	59	13	103	B	59	13	46	B				47	44	B	
<b>Tenth Ave @ 35th St</b>	NORTH	71	11	122	B	71	11	86	B					86	B	
	EAST	34	12	99	B	34	12	52	B					52	B	
	SOUTH	71	0	N/A	N/A	71	12	34	C					34	C	
	WEST	34	12	77	B	34	12	19	D					19	D	

## Appendix S.5.5

### Pedestrian Improvement Analysis - Crosswalk Level of Service

#### 2010 Future Conditions (MD)

Intersection	Crosswalk Location	2010 Future without the Proposed Action				2010 Future with the Proposed Action					2010 Future with the Proposed Action (Improvement)					
		Crosswalk length (Curb-to-Curb)	Crosswalk width	Pedestrian Space (s.f./ped.)	Surge Level of Service	Crosswalk length (Curb-to-Curb)	Crosswalk width	Pedestrian Space (s.f./ped.)	Surge Level of Service	Impact?	Proposed Crosswalk length	Proposed Crosswalk width	Signal Timing	Pedestrian Space (s.f./ped.)	Surge Level of Service	Still Impact?
<b>Tenth Ave @ 36th St</b>	NORTH	70	10	146	A	70	10	97	B					97	B	
	EAST	37	12	177	A	37	12	80	B					80	B	
	SOUTH	70	11	276	A	70	11	147	A					147	A	
	WEST	36	12	116	B	36	12	25	C					25	C	
<b>Tenth Ave @ 37th St</b>	NORTH	70	10	187	A	70	10	103	B					103	B	
	EAST	36	13	142	A	36	13	75	B					75	B	
	SOUTH	70	10	343	A	70	10	155	A					155	A	
	WEST	36	13	139	A	36	13	34	C					34	C	
<b>Tenth Ave @ 38th St</b>	NORTH	70	10	259	A	70	10	131	A					131	A	
	EAST	36	13	172	A	36	13	79	B					79	B	
	SOUTH	70	10	382	A	70	10	164	A					164	A	
	WEST	36	13	201	A	36	13	55	B					55	B	
<b>Tenth Ave @ 39th St</b>	NORTH	70	13	242	A	70	13	155	A					155	A	
	EAST	36	10	96	B	36	10	45	B					45	B	
	SOUTH	70	13	293	A	70	13	169	A					169	A	
	WEST	50	11	164	A	50	11	87	B					87	B	
<b>Tenth Ave @ 40th St</b>	NORTH	69.5	11	190	A	69.5	11	119	B					119	B	
	EAST	40.3	13	370	A	40.3	13	87	B					87	B	
	SOUTH	74.9	10	538	A	74.9	10	366	A					366	A	
	WEST	32.7	13	139	A	32.7	13	100	B					100	B	
<b>Tenth Ave @ 41st St</b>	NORTH	68.9	13.8	225	A	68.9	13.8	106	B					106	B	
	EAST	60.8	13.1	182	A	60.8	13.1	70	B					70	B	
	SOUTH	69.5	13.5	296	A	69.5	13.5	218	A					218	A	
	WEST	30	11.1	71	B	30	11.1	59	B					59	B	
<b>Tenth Ave @ 42nd St</b>	NORTH	59.3	17.3	44	B	59.3	17.3	34	C					34	C	
	EAST	59.3	14.5	174	A	59.3	14.5	64	B					64	B	
	SOUTH	68.4	13.8	50	B	68.4	13.8	28	C					28	C	
	WEST	68.2	15	178	A	68.2	15	144	A					144	A	
<b>Dyer @ 42nd St</b>	NORTH	0	0	N/A	N/A	0	0	N/A	N/A					N/A	N/A	
	EAST	36	13.6	1335	A	36	13.6	1335	A					1335	A	
	SOUTH	40	14	83	B	40	14	83	B					83	B	
	WEST	36	12	1414	A	36	12	1414	A					1414	A	
<b>Ninth Ave @ 30th St</b>	NORTH	69.3	11.7	52	B	69.3	11.7	51	B					51	B	
	EAST	35.5	14.3	21	D	35.5	14.3	21	D					21	D	
	SOUTH	63	15.1	145	A	63	15.1	142	A					142	A	
	WEST	97.6	14.5	61	B	97.6	14.5	59	B					59	B	
<b>Ninth Ave @ 31st St</b>	NORTH	73	24	58	B	73	24	56	B					56	B	
	EAST	32	24	22	D	32	24	21	D					21	D	
	SOUTH	67.2	14	49	B	67.2	14	47	B					47	B	
	WEST	35.5	13	40	B	35.5	13	35	C					35	C	
<b>Ninth Ave @ 33rd St</b>	NORTH	68	12.5	34	C	68	12.5	32	C			17		44	B	
	EAST	35.2	24	20	D	35.2	24	19	D					19	D	
	SOUTH	68.4	24	35	C	68.4	24	33	C					33	C	
	WEST	32.5	13.5	23	D	32.5	13.5	21	D			20		30	C	

## Appendix S.5.5

### Pedestrian Improvement Analysis - Crosswalk Level of Service

#### 2010 Future Conditions (MD)

Intersection	Crosswalk Location	2010 Future without the Proposed Action				2010 Future with the Proposed Action					2010 Future with the Proposed Action (Improvement)					
		Crosswalk length (Curb-to-Curb)	Crosswalk width	Pedestrian Space (s.f./ped.)	Surge Level of Service	Crosswalk length (Curb-to-Curb)	Crosswalk width	Pedestrian Space (s.f./ped.)	Surge Level of Service	Impact?	Proposed Crosswalk length	Proposed Crosswalk width	Signal Timing	Pedestrian Space (s.f./ped.)	Surge Level of Service	Still Impact?
<b>Ninth Ave @ 34th St</b>	NORTH	69.3	20	51	B	69.3	20	44	B				33	45	B	
	EAST	51.7	15	18	D	51.7	15	18	D				32	17	D	
	SOUTH	66.9	20	54	B	66.9	20	40	B				33	42	B	
	WEST	60.5	15	42	B	60.5	15	41	B				32	40	B	
<b>Ninth Ave @ 37th St</b>	NORTH	70	10	90	B	70	10	76	B				76	B		
	EAST	36	13	34	C	36	13	29	C				29	C		
	SOUTH	70	10	129	B	70	10	106	B				106	B		
	WEST	36	13	28	C	36	13	25	C				25	C		
<b>Ninth Ave @ 38th St</b>	NORTH	70	9	344	A	70	9	226	A				31	228	A	
	EAST	37	13	79	B	37	13	58	B				49	57	B	
	SOUTH	70	9	314	A	70	9	157	A				31	159	A	
	WEST	37	13	69	B	37	13	65	B				49	64	B	
<b>Ninth Ave @ 39th St</b>	NORTH	70	10	113	B	70	10	100	B				100	B		
	EAST	36	13	43	B	36	13	38	C				38	C		
	SOUTH	70	10	79	B	70	10	76	B				76	B		
	WEST	36	13	120	B	36	13	109	B				109	B		
<b>Ninth Ave @ 42nd St</b>	NORTH	69	14.7	32	C	69	14.7	25	C				28	25	C	
	EAST	60.8	13.8	33	C	60.8	13.8	31	C				31	C		
	SOUTH	70.5	10	20	D	70.5	10	13	E	Yes		17	28	22	D	
	WEST	59.2	12.5	34	C	59.2	12.5	26	C				26	C		
<b>Eighth Ave @ 30th St</b>	NORTH	69.2	12	119	B	69.2	12	114	B				114	B		
	EAST	31.3	12.6	24	C	31.3	12.6	24	C				38	C		
	SOUTH	70.1	11.5	123	B	70.1	11.5	120	B				120	B		
	WEST	32.9	12.5	25	C	32.9	12.5	25	C			20	40	B		
<b>Eighth Ave @ 31st St</b>	NORTH	70	24	46	B	70	24	46	B				46	B		
	EAST	42	14.5	32	C	42	14.5	32	C			20	44	B		
	SOUTH	70	14.5	66	B	70	14.5	65	B				65	B		
	WEST	34	24	34	C	34	24	34	C				34	C		
<b>Eighth Ave @ 33rd St</b>	NORTH	66.4	14.5	29	C	66.4	14.5	28	C			17	33	C		
	EAST	31.7	20	13	E	31.7	20	13	E				13	E		
	SOUTH	70.2	24	26	C	70.2	24	26	C				26	C		
	WEST	32.5	24	11	E	32.5	24	11	E				11	E		
<b>Eighth Ave @ 34th St</b>	NORTH	66.8	20	27	C	66.8	20	26	C				30	23	D	
	EAST	53.5	13	20	D	53.5	13	19	D			20	34	27	C	
	SOUTH	67.7	20	40	B	67.7	20	37	C				30	32	C	
	WEST	54.3	13	13	E	54.3	13	13	E			20	34	18	D	
<b>Eighth Ave @ 37th St</b>	NORTH	70	11	34	C	70	11	33	C				33	C		
	EAST	36	13	18	D	36	13	18	D			20	28	C		
	SOUTH	70	11	31	C	70	11	30	C				30	C		
	WEST	35	13	13	E	35	13	13	E			20	20	D		
<b>Eighth Ave @ 38th St</b>	NORTH	70	12	283	A	70	12	212	A				212	A		
	EAST	36	15	35	C	36	15	34	C			20	45	B		
	SOUTH	70	12	85	B	70	12	76	B				76	B		
	WEST	38	15	52	B	38	15	49	B			20	66	B		

### Appendix S.5.5

#### Pedestrian Improvement Analysis - Crosswalk Level of Service

##### 2010 Future Conditions (MD)

Intersection	Crosswalk Location	2010 Future without the Proposed Action				2010 Future with the Proposed Action					2010 Future with the Proposed Action (Improvement)					
		Crosswalk length (Curb-to-Curb)	Crosswalk width	Pedestrian Space (s.f./ped.)	Surge Level of Service	Crosswalk length (Curb-to-Curb)	Crosswalk width	Pedestrian Space (s.f./ped.)	Surge Level of Service	Impact?	Proposed Crosswalk length	Proposed Crosswalk width	Signal Timing	Pedestrian Space (s.f./ped.)	Surge Level of Service	Still Impact?
<b>Eighth Ave @ 39th St</b>	NORTH	70	10	45	B	70	10	43	B					43	B	
	EAST	36	13	13	E	36	13	13	E			20		20	D	
	SOUTH	70	10	12	E	70	10	12	E					12	E	
	WEST	36	13	10	E	36	13	10	E			20		15	D	
<b>Eighth Ave @ 42nd St</b>	NORTH	71	19	29	C	71	19	26	C			20		27	C	
	EAST	55	26	23	D	55	26	22	D					22	D	
	SOUTH	69	19	18	D	69	19	16	D			20		17	D	
	WEST	60	27	34	C	60	27	32	C					32	C	
<b>Seventh Ave @ 31st St</b>	NORTH	75	11	23	D	75	11	23	D			17		36	C	
	EAST	34	17	18	D	34	17	18	D			23		24	C	
	SOUTH	60	11	36	C	60	11	35	C			17		54	B	
	WEST	42	17	32	C	42	17	32	C			23		44	B	
<b>Seventh Ave @ 33rd St</b>	NORTH	60	11	12	E	60	11	12	E			17		19	D	
	EAST	34	17	20	D	34	17	20	D					20	D	
	SOUTH	70	11	10	E	70	11	10	E			17		16	D	
	WEST	30	17	16	D	30	17	16	D			20		19	D	
<b>Seventh Ave @ 34th St</b>	NORTH	60	21	23	D	60	21	22	D					22	D	
	EAST	54	18	31	C	54	18	30	C					30	C	
	SOUTH	60	21	35	C	60	21	33	C					33	C	
	WEST	54	18	27	C	54	18	27	C					27	C	
<b>Sixth Ave @ 33rd St</b>	NORTH	120	15	30	C	120	15	30	C					30	C	
	EAST	34	25	140	A	34	25	140	A					140	A	
	SOUTH	160	20	56	B	160	20	55	B					55	B	
	WEST	34	24	19	D	34	24	19	D					19	D	
<b>Sixth Ave @ 34th St</b>	NORTH	156	21	20	D	156	21	20	D					20	D	
	EAST	54	15	11	E	54	15	11	E					11	E	
	SOUTH	116	21	17	D	116	21	16	D					16	D	
	WEST	0	0	N/A	N/A	0	0	N/A	N/A					N/A	N/A	
<b>Broadway @ 34th St</b>	NORTH	156	21	18	D	156	21	18	D					18	D	
	EAST	0	0	N/A	N/A	0	0	N/A	N/A					N/A	N/A	
	SOUTH	116	21	16	D	116	21	16	D					16	D	
	WEST	54	28	14	E	54	28	14	E					14	E	
<b>Blvd @ 33rd St</b>	NORTH	0	0	N/A	N/A	30	20	41	B					30	41	B
	EAST	0	0	N/A	N/A	35	20	168	A					50	168	A
	SOUTH	0	0	N/A	N/A	0	0	N/A	N/A					N/A	N/A	
	WEST	0	0	N/A	N/A	35	20	102	B					50	102	B
<b>Blvd @ 34th St</b>	NORTH	0	0	N/A	N/A	30	20	16	D					16	D	
	EAST	0	0	N/A	N/A	59	20	134	A					134	A	
	SOUTH	0	0	N/A	N/A	30	20	34	C					34	C	
	WEST	0	0	N/A	N/A	59	20	66	B					66	B	

## Appendix S.5.5

### Pedestrian Improvement Analysis - Crosswalk Level of Service

#### 2010 Future Conditions (PM)

Intersection	Crosswalk Location	2010 Future without the Proposed Action				2010 Future with the Proposed Action					2010 Future with the Proposed Action (Improvement)					
		Crosswalk length (Curb-to-Curb)	Crosswalk width	Pedestrian Space (s.f./ped.)	Surge Level of Service	Crosswalk length (Curb-to-Curb)	Crosswalk width	Pedestrian Space (s.f./ped.)	Surge Level of Service	Impact?	Proposed Crosswalk length	Proposed Crosswalk width	Signal Timing	Pedestrian Space (s.f./ped.)	Surge Level of Service	Still Impact?
<b>Twelfth Ave @ 30th St</b>	NORTH	0	0	N/A	N/A	0	0	N/A	N/A					N/A	N/A	
	EAST	33	19	2696	A	33	19	2157	A			77	2116	A		
	SOUTH	141	15	4654	A	141	15	3491	A				3491	A		
	WEST	0	0	N/A	N/A	0	0	N/A	N/A			77	N/A	N/A		
<b>Twelfth Ave @ 34th St</b>	NORTH	0	0	N/A	N/A	0	0	N/A	N/A					N/A	N/A	
	EAST	60	14	1363	A	60	14	839	A				839	A		
	SOUTH	120	15	151	A	120	15	143	A				143	A		
	WEST	0	0	N/A	N/A	0	0	N/A	N/A				N/A	N/A		
<b>Twelfth Ave @ 39th St</b>	NORTH	0	0	N/A	N/A	131	20	297	A					297	A	
	EAST	49	11	1199	A	0	0	N/A	N/A			68	N/A	N/A		
	SOUTH	131	15	245	A	0	0	N/A	N/A				N/A	N/A		
	WEST	0	0	N/A	N/A	0	0	N/A	N/A			68	N/A	N/A		
<b>Twelfth Ave @ 40th St</b>	NORTH	0	0	N/A	N/A	0	0	N/A	N/A					N/A	N/A	
	EAST	38	14	3043	A	0	0	N/A	N/A				N/A	N/A		
	SOUTH	139	15	5049	A	0	0	N/A	N/A				N/A	N/A		
	WEST	0	0	N/A	N/A	0	0	N/A	N/A				N/A	N/A		
<b>Twelfth Ave @ 42nd St</b>	NORTH	140	15	143	A	140	15	142	A			31	140	A		
	EAST	70	15	501	A	70	15	633	A				59	625	A	
	SOUTH	140	15	181	A	140	15	181	A				31	179	A	
	WEST	0	0	N/A	N/A	0	0	N/A	N/A				59	N/A	N/A	
<b>Eleventh Ave @ 29th St</b>	NORTH	70	11	5054	A	70	11	191	A					191	A	
	EAST	34	13	193	A	34	13	98	B					98	B	
	SOUTH	70	11	2527	A	70	11	2527	A					2527	A	
	WEST	34	13	365	A	34	13	199	A					199	A	
<b>Eleventh Ave @ 30th St</b>	NORTH	70	11	778	A	70	11	156	A			17		240	A	
	EAST	34	13	274	A	34	13	109	B			20		168	A	
	SOUTH	70	11	5054	A	70	11	273	A			17		422	A	
	WEST	34	13	438	A	34	13	55	B			20		84	B	
<b>Eleventh Ave @ 33rd St</b>	NORTH	70	11	4147	A	70	11	132	A			17		203	A	
	EAST	34	13	380	A	34	13	113	B			20		174	A	
	SOUTH	70	11	4147	A	70	11	136	A			17		210	A	
	WEST	36	13	2289	A	0	0	N/A	N/A					N/A	N/A	
<b>Eleventh Ave @ 34th St</b>	NORTH	73	18	239	A	73	18	83	B			20	40	113	B	
	EAST	59	12	296	A	59	12	65	B			20	40	82	B	
	SOUTH	71	18	261	A	71	18	58	B			20	40	80	B	
	WEST	60	13	332	A	60	13	63	B			20	40	74	B	
<b>Eleventh Ave @ 35th St</b>	NORTH	87	10	3608	A	87	10	601	A					601	A	
	EAST	37	11	214	A	37	11	55	B					55	B	
	SOUTH	87	11	11907	A	87	11	106	B					106	B	
	WEST	0	0	N/A	N/A	0	0	N/A	N/A					N/A	N/A	
<b>Eleventh Ave @ 36th St</b>	NORTH	86	11	4724	A	86	11	859	A					859	A	
	EAST	35	10	148	A	35	10	51	B					51	B	
	SOUTH	87	11	3178	A	87	11	72	B					72	B	
	WEST	0	0	N/A	N/A	0	0	N/A	N/A					N/A	N/A	

### Appendix S.5.5

#### Pedestrian Improvement Analysis - Crosswalk Level of Service

##### 2010 Future Conditions (PM)

Intersection	Crosswalk Location	2010 Future without the Proposed Action				2010 Future with the Proposed Action					2010 Future with the Proposed Action (Improvement)					
		Crosswalk length (Curb-to-Curb)	Crosswalk width	Pedestrian Space (s.f./ped.)	Surge Level of Service	Crosswalk length (Curb-to-Curb)	Crosswalk width	Pedestrian Space (s.f./ped.)	Surge Level of Service	Impact?	Proposed Crosswalk length	Proposed Crosswalk width	Signal Timing	Pedestrian Space (s.f./ped.)	Surge Level of Service	Still Impact?
<b>Eleventh Ave @ 37th St</b>	NORTH	75	10	2567	A	75	10	642	A				24	657	A	
	EAST	36	8	287	A	36	8	85	B				56	81	B	
	SOUTH	75	10	3850	A	75	10	856	A				24	875	A	
	WEST	0	0	N/A	N/A	0	0	N/A	N/A				56	N/A	N/A	
<b>Eleventh Ave @ 38th St</b>	NORTH	75	9	3465	A	75	9	693	A					693	A	
	EAST	38	8	1722	A	38	8	164	A					164	A	
	SOUTH	75	9	866	A	75	9	408	A					408	A	
	WEST	0	0	N/A	N/A	0	0	N/A	N/A					N/A	N/A	
<b>Eleventh Ave @ 39th St</b>	NORTH	73	10	4200	A	73	10	764	A			17		1298	A	
	EAST	33	11	2121	A	33	11	636	A			20		1157	A	
	SOUTH	76	12	204	A	76	12	173	A			17		246	A	
	WEST	36	13	2025	A	0	0	N/A	N/A					N/A	N/A	
<b>Eleventh Ave @ 40th St</b>	NORTH	75	11	4235	A	75	11	242	A					242	A	
	EAST	60	10	5586	A	60	10	1067	A					1067	A	
	SOUTH	75	11	471	A	75	11	471	A					471	A	
	WEST	36	13	544	A	0	0	N/A	N/A					N/A	N/A	
<b>Eleventh Ave @ 42nd St</b>	NORTH	70	15	71	B	70	15	50	B				26	46	B	
	EAST	69	13	290	A	69	13	164	A				29	152	A	
	SOUTH	71	15	82	B	71	15	46	B				26	42	B	
	WEST	68	14	213	A	68	14	125	B				29	115	B	
<b>Tenth Ave @ 29th St</b>	NORTH	70	11	221	A	70	11	221	A					221	A	
	EAST	34	13	197	A	34	13	187	A					187	A	
	SOUTH	70	11	155	A	70	11	155	A					155	A	
	WEST	34	13	102	B	34	13	82	B					82	B	
<b>Tenth Ave @ 30th St</b>	NORTH	71	14	199	A	71	14	144	A			17		175	A	
	EAST	35	16	268	A	35	16	221	A			20		276	A	
	SOUTH	74	13	321	A	74	13	259	A			17		339	A	
	WEST	35	18	157	A	35	18	128	B			20		143	A	
<b>Tenth Ave @ 31st St</b>	NORTH	70	13	802	A	70	13	274	A			17		359	A	
	EAST	34	12	135	A	34	12	115	B			20		192	A	
	SOUTH	70	11	2941	A	70	11	802	A			17		1239	A	
	WEST	0	0	N/A	N/A	0	0	N/A	N/A					N/A	N/A	
<b>Tenth Ave @ 33rd St</b>	NORTH	69	12	217	A	69	12	58	B			17		82	B	
	EAST	32	14	158	A	32	14	107	B			20		154	A	
	SOUTH	71	11	109	B	71	11	40	B			17		62	B	
	WEST	35	13	139	A	35	13	83	B			20		127	B	
<b>Tenth Ave @ 34th St</b>	NORTH	69	18	130	A	69	18	47	B				37	51	B	
	EAST	59	13	246	A	59	13	108	B					43	96	B
	SOUTH	68	18	111	B	68	18	39	C					37	43	B
	WEST	59	13	228	A	59	13	162	A					43	144	A
<b>Tenth Ave @ 35th St</b>	NORTH	71	11	154	A	71	11	70	B				35	74	B	
	EAST	34	12	169	A	34	12	117	B					45	107	B
	SOUTH	71	0	N/A	N/A	71	12	53	B					35	57	B
	WEST	34	12	137	A	34	12	66	B					45	60	B



### Appendix S.5.5

#### Pedestrian Improvement Analysis - Crosswalk Level of Service

##### 2010 Future Conditions (PM)

Intersection	Crosswalk Location	2010 Future without the Proposed Action				2010 Future with the Proposed Action					2010 Future with the Proposed Action (Improvement)					
		Crosswalk length (Curb-to-Curb)	Crosswalk width	Pedestrian Space (s.f./ped.)	Surge Level of Service	Crosswalk length (Curb-to-Curb)	Crosswalk width	Pedestrian Space (s.f./ped.)	Surge Level of Service	Impact?	Proposed Crosswalk length	Proposed Crosswalk width	Signal Timing	Pedestrian Space (s.f./ped.)	Surge Level of Service	Still Impact?
<b>Tenth Ave @ 36th St</b>	NORTH	70	10	267	A	70	10	187	A					187	A	
	EAST	37	12	190	A	37	12	163	A					163	A	
	SOUTH	70	11	103	B	70	11	91	B					91	B	
	WEST	36	12	121	B	36	12	76	B					76	B	
<b>Tenth Ave @ 37th St</b>	NORTH	70	10	284	A	70	10	168	A					168	A	
	EAST	36	13	346	A	36	13	209	A					209	A	
	SOUTH	70	10	411	A	70	10	235	A					235	A	
	WEST	36	13	397	A	36	13	177	A					177	A	
<b>Tenth Ave @ 38th St</b>	NORTH	70	10	501	A	70	10	308	A					308	A	
	EAST	36	13	285	A	36	13	197	A					197	A	
	SOUTH	70	10	446	A	70	10	267	A					267	A	
	WEST	36	13	375	A	36	13	229	A					229	A	
<b>Tenth Ave @ 39th St</b>	NORTH	70	13	359	A	70	13	272	A					272	A	
	EAST	36	10	187	A	36	10	111	B					111	B	
	SOUTH	70	13	253	A	70	13	202	A					202	A	
	WEST	50	11	289	A	50	11	215	A					215	A	
<b>Tenth Ave @ 40th St</b>	NORTH	69.5	11	500	A	69.5	11	211	A					211	A	
	EAST	40.3	13	247	A	40.3	13	90	B					90	B	
	SOUTH	74.9	10	1526	A	74.9	10	704	A					704	A	
	WEST	32.7	13	219	A	32.7	13	151	A					151	A	
<b>Tenth Ave @ 41st St</b>	NORTH	68.9	13.8	233	A	68.9	13.8	138	A					138	A	
	EAST	60.8	13.1	179	A	60.8	13.1	67	B					67	B	
	SOUTH	69.5	13.5	832	A	69.5	13.5	429	A					429	A	
	WEST	30	11.1	136	A	30	11.1	110	B					110	B	
<b>Tenth Ave @ 42nd St</b>	NORTH	59.3	17.3	40	B	59.3	17.3	33	C			38	38	C		
	EAST	59.3	14.5	166	A	59.3	14.5	111	B			42	93	B		
	SOUTH	68.4	13.8	58	B	68.4	13.8	34	C			38	39	C		
	WEST	68.2	15	283	A	68.2	15	238	A			42	202	A		
<b>Dyer @ 42nd St</b>	NORTH	0	0	N/A	N/A	0	0	N/A	N/A					N/A	N/A	
	EAST	36	13.6	728	A	36	13.6	728	A					728	A	
	SOUTH	40	14	49	B	40	14	44	B					44	B	
	WEST	36	12	372	A	36	12	372	A					372	A	
<b>Ninth Ave @ 30th St</b>	NORTH	69.3	11.7	160	A	69.3	11.7	128	B					128	B	
	EAST	35.5	14.3	49	B	35.5	14.3	48	B					48	B	
	SOUTH	63	15.1	172	A	63	15.1	155	A					155	A	
	WEST	97.6	14.5	165	A	97.6	14.5	162	A					162	A	
<b>Ninth Ave @ 31st St</b>	NORTH	73	24	252	A	73	24	195	A					195	A	
	EAST	32	24	73	B	32	24	71	B					71	B	
	SOUTH	67.2	14	136	A	67.2	14	121	B					121	B	
	WEST	35.5	13	115	B	35.5	13	109	B					109	B	
<b>Ninth Ave @ 33rd St</b>	NORTH	68	12.5	117	B	68	12.5	50	B			17	68	B		
	EAST	35.2	24	42	B	35.2	24	34	C					34	C	
	SOUTH	68.4	24	57	B	68.4	24	40	B					40	B	
	WEST	32.5	13.5	41	B	32.5	13.5	39	C			20	57	B		

### Appendix S.5.5

#### Pedestrian Improvement Analysis - Crosswalk Level of Service

##### 2010 Future Conditions (PM)

Intersection	Crosswalk Location	2010 Future without the Proposed Action				2010 Future with the Proposed Action					2010 Future with the Proposed Action (Improvement)					
		Crosswalk length (Curb-to-Curb)	Crosswalk width	Pedestrian Space (s.f./ped.)	Surge Level of Service	Crosswalk length (Curb-to-Curb)	Crosswalk width	Pedestrian Space (s.f./ped.)	Surge Level of Service	Impact?	Proposed Crosswalk length	Proposed Crosswalk width	Signal Timing	Pedestrian Space (s.f./ped.)	Surge Level of Service	Still Impact?
<b>Ninth Ave @ 34th St</b>	NORTH	69.3	20	31	C	69.3	20	25	C				25	C		
	EAST	51.7	15	26	C	51.7	15	26	C				26	C		
	SOUTH	66.9	20	46	B	66.9	20	31	C				31	C		
	WEST	60.5	15	39	C	60.5	15	38	C				38	C		
<b>Ninth Ave @ 37th St</b>	NORTH	70	10	79	B	70	10	69	B				69	B		
	EAST	36	13	29	C	36	13	29	C				29	C		
	SOUTH	70	10	120	B	70	10	102	B				102	B		
	WEST	36	13	29	C	36	13	28	C				28	C		
<b>Ninth Ave @ 38th St</b>	NORTH	70	9	154	A	70	9	113	B				113	B		
	EAST	37	13	49	B	37	13	46	B				46	B		
	SOUTH	70	9	180	A	70	9	109	B				109	B		
	WEST	37	13	107	B	37	13	107	B				107	B		
<b>Ninth Ave @ 39th St</b>	NORTH	70	10	89	B	70	10	81	B				81	B		
	EAST	36	13	28	C	36	13	27	C				27	C		
	SOUTH	70	10	90	B	70	10	84	B				84	B		
	WEST	36	13	65	B	36	13	67	B				67	B		
<b>Ninth Ave @ 42nd St</b>	NORTH	69	14.7	23	D	69	14.7	18	D				18	D		
	EAST	60.8	13.8	25	C	60.8	13.8	25	C				25	C		
	SOUTH	70.5	10	22	D	70.5	10	12	E	Yes		17	21	D		
	WEST	59.2	12.5	25	C	59.2	12.5	18	D				18	D		
<b>Eighth Ave @ 30th St</b>	NORTH	69.2	12	150	A	69.2	12	123	B				123	B		
	EAST	31.3	12.6	20	D	31.3	12.6	20	D			20	31	C		
	SOUTH	70.1	11.5	180	A	70.1	11.5	153	A				153	A		
	WEST	32.9	12.5	28	C	32.9	12.5	28	C			20	45	B		
<b>Eighth Ave @ 31st St</b>	NORTH	70	24	69	B	70	24	66	B				66	B		
	EAST	42	14.5	34	C	42	14.5	34	C			20	46	B		
	SOUTH	70	14.5	94	B	70	14.5	86	B				86	B		
	WEST	34	24	47	B	34	24	46	B				46	B		
<b>Eighth Ave @ 33rd St</b>	NORTH	66.4	14.5	19	D	66.4	14.5	18	D			17	21	D		
	EAST	31.7	20	11	E	31.7	20	10	E	Yes			10	E	Yes	
	SOUTH	70.2	24	32	C	70.2	24	30	C				30	C		
	WEST	32.5	24	11	E	32.5	24	11	E				11	E		
<b>Eighth Ave @ 34th St</b>	NORTH	66.8	20	28	C	66.8	20	23	D				29	20	D	
	EAST	53.5	13	17	D	53.5	13	15	D			20	34	21	D	
	SOUTH	67.7	20	44	B	67.7	20	35	C				29	30	C	
	WEST	54.3	13	14	E	54.3	13	14	E			20	34	20	D	
<b>Eighth Ave @ 37th St</b>	NORTH	70	11	78	B	70	11	71	B				71	B		
	EAST	36	13	13	E	36	13	13	E			20	20	D		
	SOUTH	70	11	60	B	70	11	56	B				56	B		
	WEST	35	13	11	E	35	13	11	E			20	18	D		
<b>Eighth Ave @ 38th St</b>	NORTH	70	12	595	A	70	12	315	A				315	A		
	EAST	36	15	206	A	36	15	175	A			20	234	A		
	SOUTH	70	12	143	A	70	12	115	B				115	B		
	WEST	38	15	431	A	38	15	332	A			20	443	A		

### Appendix S.5.5

#### Pedestrian Improvement Analysis - Crosswalk Level of Service

##### 2010 Future Conditions (PM)

Intersection	Crosswalk Location	2010 Future without the Proposed Action				2010 Future with the Proposed Action					2010 Future with the Proposed Action (Improvement)					
		Crosswalk length (Curb-to-Curb)	Crosswalk width	Pedestrian Space (s.f./ped.)	Surge Level of Service	Crosswalk length (Curb-to-Curb)	Crosswalk width	Pedestrian Space (s.f./ped.)	Surge Level of Service	Impact?	Proposed Crosswalk length	Proposed Crosswalk width	Signal Timing	Pedestrian Space (s.f./ped.)	Surge Level of Service	Still Impact?
<b>Eighth Ave @ 39th St</b>	NORTH	70	10	67	B	70	10	61	B					61	B	
	EAST	36	13	9	E	36	13	9	E			20		14	E	
	SOUTH	70	10	42	B	70	10	39	C					39	C	
	WEST	36	13	6	E	36	13	6	E			20		9	E	
<b>Eighth Ave @ 42nd St</b>	NORTH	71	19	19	D	71	19	17	D			20	30	19	D	
	EAST	55	26	15	D	55	26	15	D				38	16	D	
	SOUTH	69	19	9	E	69	19	9	E			20	30	10	E	
	WEST	60	27	14	E	60	27	13	E	Yes			38	14	E	
<b>Seventh Ave @ 31st St</b>	NORTH	75	11	15	D	75	11	14	E	Yes		17		22	D	
	EAST	34	17	16	D	34	17	16	D			23		22	D	
	SOUTH	60	11	15	D	60	11	15	D			17		23	D	
	WEST	42	17	17	D	42	17	17	D			23		23	D	
<b>Seventh Ave @ 33rd St</b>	NORTH	60	11	9	E	60	11	8	E	Yes		17		13	E	
	EAST	34	17	19	D	34	17	19	D					19	D	
	SOUTH	70	11	10	E	70	11	10	E			17		15	D	
	WEST	30	17	15	D	30	17	15	D			20		18	D	
<b>Seventh Ave @ 34th St</b>	NORTH	60	21	76	B	60	21	62	B					62	B	
	EAST	54	18	72	B	54	18	70	B					70	B	
	SOUTH	60	21	59	B	60	21	50	B					50	B	
	WEST	54	18	61	B	54	18	61	B					61	B	
<b>Sixth Ave @ 33rd St</b>	NORTH	120	15	22	D	120	15	22	D					22	D	
	EAST	34	25	96	B	34	25	96	B					96	B	
	SOUTH	160	20	27	C	160	20	26	C					26	C	
	WEST	34	24	16	D	34	24	16	D					16	D	
<b>Sixth Ave @ 34th St</b>	NORTH	156	21	21	D	156	21	21	D				25	20	D	
	EAST	54	15	14	E	54	15	14	E				55	14	E	
	SOUTH	116	21	18	D	116	21	17	D				25	17	D	
	WEST	0	0	N/A	N/A	0	0	N/A	N/A				55	N/A	N/A	
<b>Broadway @ 34th St</b>	NORTH	156	21	19	D	156	21	18	D					18	D	
	EAST	0	0	N/A	N/A	0	0	N/A	N/A					N/A	N/A	
	SOUTH	116	21	17	D	116	21	17	D					17	D	
	WEST	54	28	15	D	54	28	15	D					15	D	
<b>Blvd @ 33rd St</b>	NORTH	0	0	N/A	N/A	30	20	63	B					63	B	
	EAST	0	0	N/A	N/A	35	20	197	A					197	A	
	SOUTH	0	0	N/A	N/A	0	0	N/A	N/A					N/A	N/A	
	WEST	0	0	N/A	N/A	35	20	111	B					111	B	
<b>Blvd @ 34th St</b>	NORTH	0	0	N/A	N/A	30	20	18	D					18	D	
	EAST	0	0	N/A	N/A	59	20	137	A					137	A	
	SOUTH	0	0	N/A	N/A	30	20	13	E					13	E	
	WEST	0	0	N/A	N/A	59	20	32	C					32	C	

## Appendix S.5.5

### Pedestrian Improvement Analysis - Crosswalk Level of Service

#### 2010 Future Conditions (EVE)

Intersection	Crosswalk Location	2010 Future without the Proposed Action				2010 Future with the Proposed Action					2010 Future with the Proposed Action (Improvement)					
		Crosswalk length (Curb-to-Curb)	Crosswalk width	Pedestrian Space (s.f./ped.)	Surge Level of Service	Crosswalk length (Curb-to-Curb)	Crosswalk width	Pedestrian Space (s.f./ped.)	Surge Level of Service	Impact?	Proposed Crosswalk length	Proposed Crosswalk width	Signal Timing	Pedestrian Space (s.f./ped.)	Surge Level of Service	Still Impact?
<b>Twelfth Ave @ 30th St</b>	NORTH	0	0	N/A	N/A	0	0	N/A	N/A					N/A	N/A	
	EAST	33	19	3118	A	33	19	3118	A					3118	A	
	SOUTH	141	15	7302	A	141	15	7302	A					3651	A	
	WEST	0	0	N/A	N/A	0	0	N/A	N/A					N/A	N/A	
<b>Twelfth Ave @ 34th St</b>	NORTH	0	0	N/A	N/A	0	0	N/A	N/A					N/A	N/A	
	EAST	60	14	3301	A	60	14	16	D					16	D	
	SOUTH	120	15	6713	A	120	15	13	E	Yes				6713	A	
	WEST	0	0	N/A	N/A	0	0	N/A	N/A					N/A	N/A	
<b>Eleventh Ave @ 30th St</b>	NORTH	70	11	5054	A	70	11	13	E	Yes		39		27	C	
	EAST	34	13	1642	A	34	13	119	B			20		184	A	
	SOUTH	70	11	3370	A	70	11	187	A			17		289	A	
	WEST	34	13	2190	A	34	13	30	C			20		46	B	
<b>Eleventh Ave @ 33rd St</b>	NORTH	70	11	4147	A	70	11	12	E	Yes		17		28	C	
	EAST	34	13	1455	A	34	13	873	A			20		1120	A	
	SOUTH	70	11	4147	A	70	11	3	F	Yes		39		12	E	Yes
	WEST	36	13	4578	A	0	0	N/A	N/A					N/A	N/A	
<b>Eleventh Ave @ 34th St</b>	NORTH	73	18	1695	A	73	18	73	B			20	30	99	B	
	EAST	59	12	1019	A	59	12	27	C			20	30	30	C	
	SOUTH	71	18	1473	A	71	18	13	E	Yes		20	30	24	C	
	WEST	60	13	2421	A	60	13	18	D			20	30	19	D	
<b>Eleventh Ave @ 39th St</b>	NORTH	73	10	4200	A	73	10	4200	A			17		3570	A	
	EAST	33	11	3182	A	33	11	22	D			20		39	C	
	SOUTH	76	12	1301	A	76	12	1040	A			17		1474	A	
	WEST	36	13	675	A	0	0	N/A	N/A					N/A	N/A	
<b>Eleventh Ave @ 42nd St</b>	NORTH	70	15	199	A	70	15	137	A					137	A	
	EAST	69	13	269	A	69	13	82	B					82	B	
	SOUTH	71	15	230	A	71	15	181	A					181	A	
	WEST	68	14	404	A	68	14	335	A					335	A	
<b>Tenth Ave @ 30th St</b>	NORTH	71	14	1262	A	71	14	10	E	Yes		39	24	149	A	
	EAST	35	16	764	A	35	16	62	B			20	56	88	B	
	SOUTH	74	13	1090	A	74	13	1090	A			17	24	1325	A	
	WEST	35	18	508	A	35	18	429	A			20	56	541	A	
<b>Tenth Ave @ 31st St</b>	NORTH	70	13	2085	A	70	13	5	F	Yes		17		10	E	Yes
	EAST	34	12	660	A	34	12	78	B			20	30	19	D	
	SOUTH	70	11	2205	A	70	11	15	D			17		17	D	
	WEST	0	0	N/A	N/A	0	0	N/A	N/A				30	N/A	N/A	
<b>Tenth Ave @ 33rd St</b>	NORTH	69	12	574	A	69	12	14	E	Yes		17		31	C	
	EAST	32	14	322	A	32	14	52	B			20		68	B	
	SOUTH	71	11	539	A	71	11	5	F	Yes		39		8	E	Yes
	WEST	35	13	862	A	35	13	180	A			20		265	A	
<b>Tenth Ave @ 34th St</b>	NORTH	69	18	571	A	69	18	71	B					106	B	
	EAST	59	13	397	A	59	13	85	B				30	71	B	
	SOUTH	68	18	239	A	68	18	26	C					43	B	
	WEST	59	13	1025	A	59	13	103	B				30	86	B	

## Appendix S.5.5

### Pedestrian Improvement Analysis - Crosswalk Level of Service

#### 2010 Future Conditions (EVE)

Intersection	Crosswalk Location	2010 Future without the Proposed Action				2010 Future with the Proposed Action					2010 Future with the Proposed Action (Improvement)						
		Crosswalk length (Curb-to-Curb)	Crosswalk width	Pedestrian Space (s.f./ped.)	Surge Level of Service	Crosswalk length (Curb-to-Curb)	Crosswalk width	Pedestrian Space (s.f./ped.)	Surge Level of Service	Impact?	Proposed Crosswalk length	Proposed Crosswalk width	Signal Timing	Pedestrian Space (s.f./ped.)	Surge Level of Service	Still Impact?	
<b>Ninth Ave @ 30th St</b>	NORTH	69	12	480	A	69	12	24	C					214	A		
	EAST	36	14	149	A	36	14	149	A					149	A		
	SOUTH	63	15	603	A	63	15	142	A					142	A		
	WEST	98	15	621	A	98	15	601	A					601	A		
<b>Ninth Ave @ 31st St</b>	NORTH	73	24	2843	A	73	24	11	E	Yes				25	C		
	EAST	32	24	270	A	32	24	27	C					265	A		
	SOUTH	67	14	776	A	67	14	15	D					272	A		
	WEST	36	13	263	A	36	13	20	D					23	D		
<b>Ninth Ave @ 33rd St</b>	NORTH	68	13	408	A	68	13	17	D			17		27	C		
	EAST	35	24	208	A	35	24	85	B					73	B		
	SOUTH	68	24	315	A	68	24	8	E	Yes		46		7	E	Yes	
	WEST	33	14	393	A	33	14	59	B			20		64	B		
<b>Ninth Ave @ 34th St</b>	NORTH	69	20	172	A	69	20	42	B				30	62	B		
	EAST	52	15	116	B	52	15	43	B				30	39	C		
	SOUTH	67	20	173	A	67	20	26	C				30	60	B		
	WEST	61	15	273	A	61	15	66	B				30	65	B		
<b>Eighth Ave @ 30th St</b>	NORTH	69	12	408	A	69	12	71	B				39	234	A		
	EAST	31	13	63	B	31	13	63	B			20		41	99	B	
	SOUTH	70	12	332	A	70	12	332	A					39	336	A	
	WEST	33	13	60	B	33	13	60	B			20	41	95	B		
<b>Eighth Ave @ 31st St</b>	NORTH	70	24	155	A	70	24	18	D					43	B		
	EAST	42	15	45	B	42	15	19	D			20		63	B		
	SOUTH	70	15	230	A	70	15	35	C					171	A		
	WEST	34	24	100	B	34	24	36	C					99	B		
<b>Eighth Ave @ 33rd St</b>	NORTH	66	15	70	B	66	15	28	C			17		30	C		
	EAST	32	20	22	D	32	20	20	D				30	18	D		
	SOUTH	70	24	71	B	70	24	15	D			46		30	18	D	
	WEST	33	24	18	D	33	24	18	D				30	15	D		
<b>Eighth Ave @ 34th St</b>	NORTH	67	20	110	B	67	20	58	B				30	65	B		
	EAST	54	13	23	D	54	13	21	D			20		30	29	C	
	SOUTH	68	20	11	E	68	20	9	E	Yes				30	9	E	Yes
	WEST	54	13	62	B	54	13	53	B			20	30	67	B		
<b>Sixth Ave @ 34th St</b>	NORTH	156	21	81	B	156	21	81	B					81	B		
	EAST	54	15	38	C	54	15	38	C					38	C		
	SOUTH	116	21	48	B	116	21	48	B					48	B		
	WEST	0	0	N/A	N/A	0	0	N/A	N/A					N/A	N/A		
<b>Broadway @ 34th St</b>	NORTH	156	21	57	B	156	21	57	B					57	B		
	EAST	0	0	N/A	N/A	0	0	N/A	N/A					N/A	N/A		
	SOUTH	116	21	48	B	116	21	48	B					48	B		
	WEST	54	28	64	B	54	28	64	B					64	B		
<b>Blvd @ 33rd St</b>	NORTH	0	0	N/A	N/A	30	20	17	D				45	25	C		
	EAST	0	0	N/A	N/A	35	20	35	C				45	80	B		
	SOUTH	0	0	N/A	N/A	0	0	N/A	N/A					N/A	N/A		
	WEST	0	0	N/A	N/A	35	20	47	B				45	24	C		
<b>Blvd @ 34th St</b>	NORTH	0	0	N/A	N/A	30	20	34	C					42	B		
	EAST	0	0	N/A	N/A	59	20	531	A					843	A		
	SOUTH	0	0	N/A	N/A	30	20	17	D					26	C		
	WEST	0	0	N/A	N/A	59	20	478	A					651	A		

## Appendix S.5.5

### Pedestrian Improvement Analysis - Crosswalk Level of Service

#### 2010 Future Conditions (SUN)

Intersection	Crosswalk Location	2010 Future without the Proposed Action				2010 Future with the Proposed Action					2010 Future with the Proposed Action (Improvement)					
		Crosswalk length (Curb-to-Curb)	Crosswalk width	Pedestrian Space (s.f./ped.)	Surge Level of Service	Crosswalk length (Curb-to-Curb)	Crosswalk width	Pedestrian Space (s.f./ped.)	Surge Level of Service	Impact?	Proposed Crosswalk length	Proposed Crosswalk width	Signal Timing	Pedestrian Space (s.f./ped.)	Surge Level of Service	Still Impact?
<b>Twelfth Ave @ 30th St</b>	NORTH	0	0	N/A	N/A	0	0	N/A	N/A					N/A	N/A	
	EAST	33	19	1559	A	33	19	1559	A					1559	A	
	SOUTH	141	15	7302	A	141	15	7302	A					7302	A	
	WEST	0	0	N/A	N/A	0	0	N/A	N/A					N/A	N/A	
<b>Twelfth Ave @ 34th St</b>	NORTH	0	0	N/A	N/A	0	0	N/A	N/A					N/A	N/A	
	EAST	60	14	1415	A	60	14	16	D					16	D	
	SOUTH	120	15	110	B	120	15	11	E	Yes				110	B	
	WEST	0	0	N/A	N/A	0	0	N/A	N/A					N/A	N/A	
<b>Eleventh Ave @ 30th St</b>	NORTH	70	11	481	A	70	11	8	E	Yes		39		20	D	
	EAST	34	13	313	A	34	13	212	A			20		326	A	
	SOUTH	70	11	3370	A	70	11	41	B			17		20	D	
	WEST	34	13	386	A	34	13	11	E	Yes		20		404	A	
<b>Eleventh Ave @ 33rd St</b>	NORTH	70	11	2765	A	70	11	6	E	Yes		17		11	E	Yes
	EAST	34	13	312	A	34	13	143	A			20		220	A	
	SOUTH	70	11	4147	A	70	11	3	F	Yes		39		13	E	Yes
	WEST	36	13	3052	A	0	0	N/A	N/A					N/A	N/A	
<b>Eleventh Ave @ 34th St</b>	NORTH	73	18	146	A	73	18	28	C			20	30	35	C	
	EAST	59	12	201	A	59	12	12	E	Yes		20	30	13	E	Yes
	SOUTH	71	18	182	A	71	18	13	E	Yes		20	30	21	D	
	WEST	60	13	223	A	60	13	10	E	Yes		20	30	10	E	Yes
<b>Eleventh Ave @ 39th St</b>	NORTH	73	10	840	A	73	10	112	B			17	50	251	A	
	EAST	33	11	2121	A	33	11	12	E	Yes		20	30	16	D	
	SOUTH	76	12	104	B	76	12	57	B			17	50	107	B	
	WEST	36	13	426	A	0	0	N/A	N/A				30	N/A	N/A	
<b>Eleventh Ave @ 42nd St</b>	NORTH	70	15	64	B	70	15	40	B				36	42	B	
	EAST	69	13	298	A	69	13	64	B				22	54	B	
	SOUTH	71	15	63	B	71	15	45	B				36	46	B	
	WEST	68	14	260	A	68	14	78	B				22	66	B	
<b>Tenth Ave @ 30th St</b>	NORTH	71	14	140	A	71	14	7	E	Yes		39	28	41	B	
	EAST	35	16	203	A	35	16	79	B			20	52	227	A	
	SOUTH	74	13	330	A	74	13	96	B			17	28	122	B	
	WEST	35	18	128	B	35	18	106	B			20	52	123	B	
<b>Tenth Ave @ 31st St</b>	NORTH	70	13	521	A	70	13	5	F	Yes		17		10	E	Yes
	EAST	34	12	123	B	34	12	53	B			20	30	17	D	
	SOUTH	70	11	4411	A	70	11	14	E	Yes		17		16	D	
	WEST	0	0	N/A	N/A	0	0	N/A	N/A				30	N/A	N/A	
<b>Tenth Ave @ 33rd St</b>	NORTH	69	12	168	A	69	12	10	E	Yes		17		19	D	
	EAST	32	14	189	A	32	14	103	B			20		129	B	
	SOUTH	71	11	103	B	71	11	5	F	Yes		39		8	E	Yes
	WEST	35	13	127	B	35	13	71	B			20		108	B	
<b>Tenth Ave @ 34th St</b>	NORTH	69	18	153	A	69	18	53	B				43	79	B	
	EAST	59	13	308	A	59	13	82	B				37	73	B	
	SOUTH	68	18	188	A	68	18	30	C				43	62	B	
	WEST	59	13	342	A	59	13	60	B				37	52	B	

## Appendix S.5.5

### Pedestrian Improvement Analysis - Crosswalk Level of Service

#### 2010 Future Conditions (SUN)

Intersection	Crosswalk Location	2010 Future without the Proposed Action				2010 Future with the Proposed Action					2010 Future with the Proposed Action (Improvement)					
		Crosswalk length (Curb-to-Curb)	Crosswalk width	Pedestrian Space (s.f./ped.)	Surge Level of Service	Crosswalk length (Curb-to-Curb)	Crosswalk width	Pedestrian Space (s.f./ped.)	Surge Level of Service	Impact?	Proposed Crosswalk length	Proposed Crosswalk width	Signal Timing	Pedestrian Space (s.f./ped.)	Surge Level of Service	Still Impact?
<b>Ninth Ave @ 30th St</b>	NORTH	69.3	11.7	99	B	69.3	11.7	11	E	Yes			30	14	E	Yes
	EAST	35.5	14.3	50	B	35.5	14.3	27	C			30	36	C		
	SOUTH	63	15.1	103	B	63	15.1	56	B			30	51	B		
	WEST	97.6	14.5	127	B	97.6	14.5	104	B			30	86	B		
<b>Ninth Ave @ 31st St</b>	NORTH	73	24	133	A	73	24	9	E	Yes				19	D	
	EAST	32	24	51	B	32	24	18	D				46	B		
	SOUTH	67.2	14	151	A	67.2	14	13	E	Yes				80	B	
	WEST	35.5	13	138	A	35.5	13	17	D				19	D		
<b>Ninth Ave @ 33rd St</b>	NORTH	68	12.5	121	B	68	12.5	14	E	Yes		17		21	D	
	EAST	35.2	24	52	B	35.2	24	43	B				40	B		
	SOUTH	68.4	24	100	B	68.4	24	7	E	Yes		46		7	E	Yes
	WEST	32.5	13.5	95	B	32.5	13.5	53	B			20		53	B	
<b>Ninth Ave @ 34th St</b>	NORTH	69.3	20	85	B	69.3	20	46	B			30		65	B	
	EAST	51.7	15	40	B	51.7	15	30	C			30		27	C	
	SOUTH	66.9	20	84	B	66.9	20	23	D			30		43	B	
	WEST	60.5	15	220	A	60.5	15	84	B			30		83	B	
<b>Eighth Ave @ 30th St</b>	NORTH	69.2	12	177	A	69.2	12	28	C					31	C	
	EAST	31.3	12.6	41	B	31.3	12.6	22	D		20			45	B	
	SOUTH	70.1	11.5	257	A	70.1	11.5	85	B					54	B	
	WEST	32.9	12.5	42	B	32.9	12.5	25	C		20			55	B	
<b>Eighth Ave @ 31st St</b>	NORTH	70	24	111	B	70	24	16	D					32	C	
	EAST	42	14.5	43	B	42	14.5	15	D		20			39	C	
	SOUTH	70	14.5	148	A	70	14.5	25	C					57	B	
	WEST	34	24	65	B	34	24	28	C					56	B	
<b>Eighth Ave @ 33rd St</b>	NORTH	66.4	14.5	49	B	66.4	14.5	24	C			17	30	26	C	
	EAST	31.7	20	23	D	31.7	20	16	D			30	30	13	E	Yes
	SOUTH	70.2	24	52	B	70.2	24	12	E	Yes		46	30	17	D	
	WEST	32.5	24	24	C	32.5	24	22	D			30	30	17	D	
<b>Eighth Ave @ 34th St</b>	NORTH	66.8	20	48	B	66.8	20	36	C			30		35	C	
	EAST	53.5	13	33	C	53.5	13	22	D		20	30		30	C	
	SOUTH	67.7	20	36	C	67.7	20	17	D			30		20	D	
	WEST	54.3	13	26	C	54.3	13	22	D		20	30		29	C	
<b>Sixth Ave @ 34th St</b>	NORTH	156	21	41	B	156	21	40	B				28	40	B	
	EAST	54	15	20	D	54	15	20	D				52	20	D	
	SOUTH	116	21	27	C	116	21	27	C				28	27	C	
	WEST	0	0	N/A	N/A	0	0	N/A	N/A				52	N/A	N/A	
<b>Broadway @ 34th St</b>	NORTH	156	21	40	B	156	21	39	C				28	40	B	
	EAST	0	0	N/A	N/A	0	0	N/A	N/A				52	N/A	N/A	
	SOUTH	116	21	41	B	116	21	40	B				28	41	B	
	WEST	54	28	51	B	54	28	48	B				52	48	B	
<b>Blvd @ 33rd St</b>	NORTH	0	0	N/A	N/A	30	20	12	E			45		14	E	
	EAST	0	0	N/A	N/A	35	20	34	C			45		66	B	
	SOUTH	0	0	N/A	N/A	0	0	N/A	N/A					N/A	N/A	
	WEST	0	0	N/A	N/A	35	20	41	B			45		23	D	
<b>Blvd @ 34th St</b>	NORTH	0	0	N/A	N/A	30	20	21	D					23	D	
	EAST	0	0	N/A	N/A	59	20	357	A					430	A	
	SOUTH	0	0	N/A	N/A	30	20	16	D					24	C	
	WEST	0	0	N/A	N/A	59	20	259	A					287	A	

## Appendix S.5.5

### Pedestrian Improvement Analysis - Crosswalk Level of Service

#### 2025 Future Conditions (AM)

Intersection	Crosswalk Location	2025 Future without the Proposed Action				2025 Future with the Proposed Action					2025 Future with the Proposed Action (Improvement)					
		Crosswalk length (Curb-to-Curb)	Crosswalk width	Pedestrian Space (s.f./ped.)	Surge Level of Service	Crosswalk length (Curb-to-Curb)	Crosswalk width	Pedestrian Space (s.f./ped.)	Surge Level of Service	Impact?	Proposed Crosswalk length	Proposed Crosswalk width	Signal Timing	Pedestrian Space (s.f./ped.)	Surge Level of Service	Still Impact?
<b>Twelfth Ave @ 30th St</b>	NORTH	0	0	N/A	N/A	0	0	N/A	N/A				N/A	N/A		
	EAST	33	19	4319	A	33	19	1440	A			94	2127	A		
	SOUTH	141	15	1484	A	141	15	1187	A				1187	A		
	WEST	0	0	N/A	N/A	0	0	N/A	N/A			94	N/A	N/A		
<b>Twelfth Ave @ 34th St</b>	NORTH	0	0	N/A	N/A	0	0	N/A	N/A			35	N/A	N/A		
	EAST	60	14	4378	A	60	14	1459	A		20	69	5548	A		
	SOUTH	120	15	215	A	120	15	207	A		17	35	244	A		
	WEST	0	0	N/A	N/A	0	0	N/A	N/A			69	N/A	N/A		
<b>Twelfth Ave @ 39th St</b>	NORTH	0	0	N/A	N/A	131	20	138	A			28	137	A		
	EAST	49	11	2556	A	0	0	N/A	N/A			98	N/A	N/A		
	SOUTH	131	15	270	A	0	0	N/A	N/A			28	N/A	N/A		
	WEST	0	0	N/A	N/A	0	0	N/A	N/A			98	N/A	N/A		
<b>Twelfth Ave @ 40th St</b>	NORTH	0	0	N/A	N/A	0	0	N/A	N/A				N/A	N/A		
	EAST	38	14	1917	A	0	0	N/A	N/A				N/A	N/A		
	SOUTH	139	15	6521	A	0	0	N/A	N/A				N/A	N/A		
	WEST	0	0	N/A	N/A	0	0	N/A	N/A				N/A	N/A		
<b>Twelfth Ave @ 42nd St</b>	NORTH	140	15	232	A	140	15	227	A		17		258	A		
	EAST	70	15	863	A	70	15	527	A		20	66	683	A		
	SOUTH	140	15	205	A	140	15	205	A		17		232	A		
	WEST	0	0	N/A	N/A	0	0	N/A	N/A				N/A	N/A		
<b>Eleventh Ave @ 29th St</b>	NORTH	70	11	3370	A	70	11	674	A		17		1041	A		
	EAST	34	13	346	A	34	13	47	B		20		72	B		
	SOUTH	70	11	5054	A	70	11	5054	A		17		7811	A		
	WEST	34	13	1095	A	34	13	71	B		20		109	B		
<b>Eleventh Ave @ 30th St</b>	NORTH	70	11	1444	A	70	11	166	A		17		256	A		
	EAST	34	13	938	A	34	13	34	C		20		53	B		
	SOUTH	70	11	5054	A	70	11	235	A		17		363	A		
	WEST	34	13	938	A	34	13	64	B		20		98	B		
<b>Eleventh Ave @ 33rd St</b>	NORTH	70	11	4147	A	70	11	173	A		17		267	A		
	EAST	34	13	546	A	34	13	43	B		20		66	B		
	SOUTH	70	11	2073	A	70	11	132	A		17		203	A		
	WEST	36	13	832	A	0	0	N/A	N/A				N/A	N/A		
<b>Eleventh Ave @ 34th St</b>	NORTH	73	18	484	A	73	18	63	B		20	28	75	B		
	EAST	59	12	315	A	59	12	50	B		20	39	60	B		
	SOUTH	71	18	442	A	71	18	109	B		20	28	130	A		
	WEST	60	13	692	A	60	13	73	B		20	39	81	B		
<b>Eleventh Ave @ 35th St</b>	NORTH	87	10	3608	A	87	10	328	A		17		558	A		
	EAST	37	11	399	A	37	11	10	E	Yes	20		19	D		
	SOUTH	87	11	5954	A	87	11	189	A		17		292	A		
	WEST	0	0	N/A	N/A	0	0	N/A	N/A				N/A	N/A		
<b>Eleventh Ave @ 36th St</b>	NORTH	86	11	3149	A	86	11	102	B		17		157	A		
	EAST	35	10	333	A	35	10	4	F	Yes	20		9	E	Yes	
	SOUTH	87	11	1907	A	87	11	92	B		17		142	A		
	WEST	0	0	N/A	N/A	0	0	N/A	N/A				N/A	N/A		



## Appendix S.5.5

### Pedestrian Improvement Analysis - Crosswalk Level of Service

#### 2025 Future Conditions (AM)

Intersection	Crosswalk Location	2025 Future without the Proposed Action				2025 Future with the Proposed Action					2025 Future with the Proposed Action (Improvement)					
		Crosswalk length (Curb-to-Curb)	Crosswalk width	Pedestrian Space (s.f./ped.)	Surge Level of Service	Crosswalk length (Curb-to-Curb)	Crosswalk width	Pedestrian Space (s.f./ped.)	Surge Level of Service	Impact?	Proposed Crosswalk length	Proposed Crosswalk width	Signal Timing	Pedestrian Space (s.f./ped.)	Surge Level of Service	Still Impact?
<b>Eleventh Ave @ 37th St</b>	NORTH	75	10	1925	A	75	10	175	A			17	42	385	A	
	EAST	36	8	548	A	36	8	10	E	Yes		20	38	17	D	
	SOUTH	75	10	3850	A	75	10	220	A			17	42	485	A	
	WEST	0	0	N/A	N/A	0	0	N/A	N/A				38	N/A	N/A	
<b>Eleventh Ave @ 38th St</b>	NORTH	75	9	3465	A	75	9	462	A			17	17	826	A	
	EAST	38	8	1148	A	38	8	22	D			20	17	51	B	
	SOUTH	75	9	3465	A	75	9	277	A			17	17	495	A	
	WEST	0	0	N/A	N/A	0	0	N/A	N/A				17	N/A	N/A	
<b>Eleventh Ave @ 39th St</b>	NORTH	73	10	2800	A	73	10	240	A			17	40	461	A	
	EAST	33	11	1061	A	33	11	32	C			20	40	49	B	
	SOUTH	76	12	400	A	76	12	120	B			17	40	191	A	
	WEST	36	13	96	B	0	0	N/A	N/A				40	N/A	N/A	
<b>Eleventh Ave @ 40th St</b>	NORTH	75	11	2823	A	75	11	109	B					109	B	
	EAST	60	10	3724	A	60	10	38	C					38	C	
	SOUTH	75	11	4235	A	75	11	2823	A					2823	A	
	WEST	36	13	544	A	0	0	N/A	N/A					N/A	N/A	
<b>Eleventh Ave @ 42nd St</b>	NORTH	70	15	90	B	70	15	97	B			17	39	119	B	
	EAST	69	13	183	A	69	13	39	C			20	29	55	B	
	SOUTH	71	15	116	B	71	15	41	B			17	39	50	B	
	WEST	68	14	117	B	68	14	59	B			20	29	79	B	
<b>Tenth Ave @ 29th St</b>	NORTH	70	11	252	A	70	11	150	A			17		231	A	
	EAST	34	13	213	A	34	13	62	B			20		95	B	
	SOUTH	70	11	166	A	70	11	119	B			17		184	A	
	WEST	34	13	111	B	34	13	23	D			20		36	C	
<b>Tenth Ave @ 30th St</b>	NORTH	71	14	392	A	71	14	49	B			17		59	B	
	EAST	35	16	236	A	35	16	62	B			20		77	B	
	SOUTH	74	13	419	A	74	13	131	A			17		172	A	
	WEST	35	18	189	A	35	18	26	C			20		28	C	
<b>Tenth Ave @ 31st St</b>	NORTH	70	13	1303	A	70	13	21	D			17		27	C	
	EAST	34	12	155	A	34	12	35	C			20		59	B	
	SOUTH	70	11	4411	A	70	11	100	B			17		155	A	
	WEST	0	0	N/A	N/A	0	0	N/A	N/A					N/A	N/A	
<b>Tenth Ave @ 33rd St</b>	NORTH	69	12	217	A	69	12	11	E	Yes		17		15	D	
	EAST	32	14	176	A	32	14	13	E	Yes		20		19	D	
	SOUTH	71	11	145	A	71	11	7	E	Yes		17		10	E	Yes
	WEST	35	13	222	A	35	13	9	E	Yes		20		14	E	Yes
<b>Tenth Ave @ 34th St</b>	NORTH	69	18	120	B	69	18	21	D				43	25	C	
	EAST	59	13	300	A	59	13	27	C			20	37	34	C	
	SOUTH	68	18	145	A	68	18	16	D				43	19	D	
	WEST	59	13	351	A	59	13	13	E	Yes		20	37	17	D	

## Appendix S.5.5

### Pedestrian Improvement Analysis - Crosswalk Level of Service

#### 2025 Future Conditions (AM)

Intersection	Crosswalk Location	2025 Future without the Proposed Action				2025 Future with the Proposed Action					2025 Future with the Proposed Action (Improvement)					
		Crosswalk length (Curb-to-Curb)	Crosswalk width	Pedestrian Space (s.f./ped.)	Surge Level of Service	Crosswalk length (Curb-to-Curb)	Crosswalk width	Pedestrian Space (s.f./ped.)	Surge Level of Service	Impact?	Proposed Crosswalk length	Proposed Crosswalk width	Signal Timing	Pedestrian Space (s.f./ped.)	Surge Level of Service	Still Impact?
<b>Tenth Ave @ 35th St</b>	NORTH	71	11	137	A	71	11	16	D			17	34	25	C	
	EAST	34	12	908	A	34	12	22	D			20	46	33	C	
	SOUTH	71	0	N/A	N/A	71	12	20	D			17	34	30	C	
	WEST	34	12	363	A	34	12	11	E	Yes		20	46	18	D	
<b>Tenth Ave @ 36th St</b>	NORTH	70	10	501	A	70	10	31	C			17	31	53	B	
	EAST	37	12	67	B	37	12	19	D			20	49	32	C	
	SOUTH	70	11	116	B	70	11	35	C			17	31	55	B	
	WEST	36	12	98	B	36	12	15	D			20	49	24	C	
<b>Tenth Ave @ 37th St</b>	NORTH	70	10	274	A	70	10	23	D			17		39	C	
	EAST	36	13	181	A	36	13	25	C			20		39	C	
	SOUTH	70	10	914	A	70	10	21	D			17		36	C	
	WEST	36	13	274	A	36	13	18	D			20		27	C	
<b>Tenth Ave @ 38th St</b>	NORTH	70	10	891	A	70	10	26	C			17		43	B	
	EAST	36	13	688	A	36	13	30	C			20		46	B	
	SOUTH	70	10	2673	A	70	10	39	C			17		66	B	
	WEST	36	13	551	A	36	13	18	D			20		28	C	
<b>Tenth Ave @ 39th St</b>	NORTH	70	13	742	A	70	13	56	B			17		73	B	
	EAST	36	10	263	A	36	10	15	D			20		29	C	
	SOUTH	70	13	557	A	70	13	41	B			17		54	B	
	WEST	50	11	761	A	50	11	19	D			20		34	C	
<b>Tenth Ave @ 40th St</b>	NORTH	69.5	11	863	A	69.5	11	49	B			17		75	B	
	EAST	40.3	13	247	A	40.3	13	16	D			20		24	C	
	SOUTH	74.9	10	1831	A	74.9	10	208	A			17		354	A	
	WEST	32.7	13	850	A	32.7	13	14	E	Yes		20		22	D	
<b>Tenth Ave @ 41st St</b>	NORTH	68.9	13.8	193	A	68.9	13.8	85	B			17		105	B	
	EAST	60.8	13.1	264	A	60.8	13.1	28	C			20		43	B	
	SOUTH	69.5	13.5	4437	A	69.5	13.5	24	C			17		31	C	
	WEST	30	11.1	211	A	30	11.1	14	E	Yes		20		25	C	
<b>Tenth Ave @ 42nd St</b>	NORTH	59.3	17.3	46	B	59.3	17.3	36	C				34	39	C	
	EAST	59.3	14.5	230	A	59.3	14.5	46	B			20	46	58	B	
	SOUTH	68.4	13.8	74	B	68.4	13.8	19	D			17	34	26	C	
	WEST	68.2	15	381	A	68.2	15	63	B			20	46	76	B	
<b>Dyer @ 42nd St</b>	NORTH	0	0	N/A	N/A	0	0	N/A	N/A					N/A	N/A	
	EAST	36	13.6	801	A	36	13.6	801	A					801	A	
	SOUTH	40	14	92	B	40	14	100	B					100	B	
	WEST	36	12	884	A	36	12	884	A					884	A	
<b>Ninth Ave @ 30th St</b>	NORTH	69.3	11.7	107	B	69.3	11.7	54	B			17	38	80	B	
	EAST	35.5	14.3	62	B	35.5	14.3	30	C			20	42	41	B	
	SOUTH	63	15.1	112	B	63	15.1	86	B			17	38	99	B	
	WEST	97.6	14.5	63	B	97.6	14.5	45	B			20	42	60	B	

## Appendix S.5.5

### Pedestrian Improvement Analysis - Crosswalk Level of Service

#### 2025 Future Conditions (AM)

Intersection	Crosswalk Location	2025 Future without the Proposed Action				2025 Future with the Proposed Action					2025 Future with the Proposed Action (Improvement)						
		Crosswalk length (Curb-to-Curb)	Crosswalk width	Pedestrian Space (s.f./ped.)	Surge Level of Service	Crosswalk length (Curb-to-Curb)	Crosswalk width	Pedestrian Space (s.f./ped.)	Surge Level of Service	Impact?	Proposed Crosswalk length	Proposed Crosswalk width	Signal Timing	Pedestrian Space (s.f./ped.)	Surge Level of Service	Still Impact?	
<b>Ninth Ave @ 31st St</b>	NORTH	73	24	111	B	73	24	49	B					49	B		
	EAST	32	24	76	B	32	24	52	B					52	B		
	SOUTH	67.2	14	71	B	67.2	14	45	B					54	B		
	WEST	35.5	13	84	B	35.5	13	40	B			20		61	B		
<b>Ninth Ave @ 33rd St</b>	NORTH	68	12.5	36	C	68	12.5	15	D			17	33	21	D		
	EAST	35.2	24	58	B	35.2	24	21	D				47	20	D		
	SOUTH	68.4	24	27	C	68.4	24	13	E	Yes				33	13	E	Yes
	WEST	32.5	13.5	28	C	32.5	13.5	9	E	Yes		20	47	13	E	Yes	
<b>Ninth Ave @ 34th St</b>	NORTH	69.3	20	61	B	69.3	20	25	C				35	27	C		
	EAST	51.7	15	43	B	51.7	15	24	C		20		25	28	C		
	SOUTH	66.9	20	49	B	66.9	20	17	D				35	19	D		
	WEST	60.5	15	76	B	60.5	15	29	C		20	25	34	34	C		
<b>Ninth Ave @ 37th St</b>	NORTH	70	10	349	A	70	10	41	B				32	42	B		
	EAST	36	13	47	B	36	13	23	D		20		48	35	C		
	SOUTH	70	10	334	A	70	10	50	B				32	51	B		
	WEST	36	13	30	C	36	13	19	D		20	48	29	29	C		
<b>Ninth Ave @ 38th St</b>	NORTH	70	9	425	A	70	9	55	B				55	55	B		
	EAST	37	13	51	B	37	13	19	D		20		30	30	C		
	SOUTH	70	9	451	A	70	9	49	B				49	49	B		
	WEST	37	13	116	B	37	13	53	B				53	53	B		
<b>Ninth Ave @ 39th St</b>	NORTH	70	10	187	A	70	10	79	B				79	79	B		
	EAST	36	13	49	B	36	13	17	D		20		27	27	C		
	SOUTH	70	10	157	A	70	10	54	B				54	54	B		
	WEST	36	13	105	B	36	13	52	B				52	52	B		
<b>Ninth Ave @ 42nd St</b>	NORTH	69	14.7	34	C	69	14.7	27	C			17	32	32	C		
	EAST	60.8	13.8	38	C	60.8	13.8	26	C		20		37	37	C		
	SOUTH	70.5	10	28	C	70.5	10	17	D		17		28	28	C		
	WEST	59.2	12.5	47	B	59.2	12.5	29	C		20		47	47	B		
<b>Eighth Ave @ 30th St</b>	NORTH	69.2	12	136	A	69.2	12	98	B				98	98	B		
	EAST	31.3	12.6	31	C	31.3	12.6	15	D		20		24	24	C		
	SOUTH	70.1	11.5	184	A	70.1	11.5	132	A				132	132	A		
	WEST	32.9	12.5	41	B	32.9	12.5	25	C		20		40	40	B		
<b>Eighth Ave @ 31st St</b>	NORTH	70	24	55	B	70	24	49	B				49	49	B		
	EAST	42	14.5	28	C	42	14.5	13	E	Yes	20		18	18	D		
	SOUTH	70	14.5	102	B	70	14.5	61	B				61	61	B		
	WEST	34	24	61	B	34	24	46	B				46	46	B		
<b>Eighth Ave @ 33rd St</b>	NORTH	66.4	14.5	23	D	66.4	14.5	18	D			17	42	19	D		
	EAST	31.7	20	19	D	31.7	20	9	E	Yes			38	9	E	Yes	
	SOUTH	70.2	24	28	C	70.2	24	24	C				42	22	D		
	WEST	32.5	24	9	E	32.5	24	8	E	Yes			38	9	E		
<b>Eighth Ave @ 34th St</b>	NORTH	66.8	20	38	C	66.8	20	25	C				33	23	D		
	EAST	53.5	13	27	C	53.5	13	13	E	Yes	20		35	19	D		
	SOUTH	67.7	20	46	B	67.7	20	30	C				33	27	C		
	WEST	54.3	13	19	D	54.3	13	15	D		20	35	21	21	D		

## Appendix S.5.5

### Pedestrian Improvement Analysis - Crosswalk Level of Service

#### 2025 Future Conditions (AM)

Intersection	Crosswalk Location	2025 Future without the Proposed Action				2025 Future with the Proposed Action					2025 Future with the Proposed Action (Improvement)					
		Crosswalk length (Curb-to-Curb)	Crosswalk width	Pedestrian Space (s.f./ped.)	Surge Level of Service	Crosswalk length (Curb-to-Curb)	Crosswalk width	Pedestrian Space (s.f./ped.)	Surge Level of Service	Impact?	Proposed Crosswalk length	Proposed Crosswalk width	Signal Timing	Pedestrian Space (s.f./ped.)	Surge Level of Service	Still Impact?
<b>Eighth Ave @ 37th St</b>	NORTH	70	11	97	B	70	11	68	B					68	B	
	EAST	36	13	20	D	36	13	17	D			20		26	C	
	SOUTH	70	11	88	B	70	11	52	B					52	B	
	WEST	35	13	13	E	35	13	13	E			20		19	D	
<b>Eighth Ave @ 38th St</b>	NORTH	70	12	223	A	70	12	123	B					123	B	
	EAST	36	15	53	B	36	15	44	B			20		59	B	
	SOUTH	70	12	185	A	70	12	88	B					88	B	
	WEST	38	15	28	C	38	15	24	C			20		32	C	
<b>Eighth Ave @ 39th St</b>	NORTH	70	10	65	B	70	10	71	B					71	B	
	EAST	36	13	9	E	36	13	8	E	Yes		20		13	E	
	SOUTH	70	10	59	B	70	10	48	B					48	B	
	WEST	36	13	10	E	36	13	10	E			20		15	D	
<b>Eighth Ave @ 42nd St</b>	NORTH	71	19	22	D	71	19	20	D			20	30	23	D	
	EAST	55	26	31	C	55	26	29	C					37	30	C
	SOUTH	69	19	9	E	69	19	9	E			20	30	10	E	
	WEST	60	27	18	D	60	27	17	D					37	17	D
<b>Seventh Ave @ 31st St</b>	NORTH	75	11	14	E	75	11	12	E	Yes		17	40	19	D	
	EAST	34	17	21	D	34	17	19	D					23	40	C
	SOUTH	60	11	26	C	60	11	23	D			17	40	37	C	
	WEST	42	17	20	D	42	17	17	D			23	40	22	D	
<b>Seventh Ave @ 33rd St</b>	NORTH	60	11	10	E	60	11	9	E	Yes		17	23	14	E	
	EAST	34	17	18	D	34	17	17	D			20	57	20	D	
	SOUTH	70	11	8	E	70	11	7	E	Yes		17	23	11	E	
	WEST	30	17	15	D	30	17	12	E	Yes		20	57	14	E	Yes
<b>Seventh Ave @ 34th St</b>	NORTH	60	21	23	D	60	21	21	D				38	21	D	
	EAST	54	18	31	C	54	18	29	C			20	41	30	C	
	SOUTH	60	21	20	D	60	21	18	D					38	19	D
	WEST	54	18	12	E	54	18	11	E	Yes		20	41	12	E	
<b>Sixth Ave @ 33rd St</b>	NORTH	120	15	36	C	120	15	34	C			17	25	38	C	
	EAST	34	25	187	A	34	25	180	A					180	A	
	SOUTH	160	20	50	B	160	20	38	C				25	38	C	
	WEST	34	24	22	D	34	24	22	D					37	21	D
<b>Sixth Ave @ 34th St</b>	NORTH	156	21	47	B	156	21	46	B					46	B	
	EAST	54	15	18	D	54	15	18	D			20		24	C	
	SOUTH	116	21	33	C	116	21	32	C					32	C	
	WEST	0	0	N/A	N/A	0	0	N/A	N/A					N/A	N/A	
<b>Broadway @ 34th St</b>	NORTH	156	21	22	D	156	21	21	D					21	D	
	EAST	0	0	N/A	N/A	0	0	N/A	N/A					N/A	N/A	
	SOUTH	116	21	32	C	116	21	32	C					32	C	
	WEST	54	28	39	C	54	28	36	C					36	C	
<b>Blvd @ 33rd St</b>	NORTH	0	0	N/A	N/A	30	25	8	E					10	E	
	EAST	0	0	N/A	N/A	35	20	16	D					15	D	
	SOUTH	0	0	N/A	N/A	0	0	N/A	N/A					N/A	N/A	
	WEST	0	0	N/A	N/A	35	20	9	E					9	E	

## Appendix S.5.5

### Pedestrian Improvement Analysis - Crosswalk Level of Service

#### 2025 Future Conditions (AM)

Intersection	Crosswalk Location	2025 Future without the Proposed Action				2025 Future with the Proposed Action					2025 Future with the Proposed Action (Improvement)					
		Crosswalk length (Curb-to-Curb)	Crosswalk width	Pedestrian Space (s.f./ped.)	Surge Level of Service	Crosswalk length (Curb-to-Curb)	Crosswalk width	Pedestrian Space (s.f./ped.)	Surge Level of Service	Impact?	Proposed Crosswalk length	Proposed Crosswalk width	Signal Timing	Pedestrian Space (s.f./ped.)	Surge Level of Service	Still Impact?
<b>Blvd @ 34th St</b>	NORTH	0	0	N/A	N/A	30	20	13	E					13	E	
	EAST	0	0	N/A	N/A	59	20	35	C					35	C	
	SOUTH	0	0	N/A	N/A	30	20	11	E					11	E	
	WEST	0	0	N/A	N/A	59	20	39	C					39	C	
<b>N.Blvd @ 35th St</b>	NORTH	0	0	N/A	N/A	30	20	14	E					14	E	
	EAST	0	0	N/A	N/A	34	20	14	E					14	E	
	SOUTH	0	0	N/A	N/A	30	20	10	E					10	E	
	WEST	0	0	N/A	N/A	0	0	N/A	N/A					N/A	N/A	
<b>N.Blvd @ 36th St</b>	NORTH	0	0	N/A	N/A	30	20	62	B					62	B	
	EAST	0	0	N/A	N/A	36	20	31	C					31	C	
	SOUTH	0	0	N/A	N/A	30	20	23	D					23	D	
	WEST	0	0	N/A	N/A	0	0	N/A	N/A					N/A	N/A	
<b>N.Blvd @ 37th St</b>	NORTH	0	0	N/A	N/A	30	20	35	C					35	C	
	EAST	0	0	N/A	N/A	36	20	33	C					33	C	
	SOUTH	0	0	N/A	N/A	30	20	54	B					54	B	
	WEST	0	0	N/A	N/A	0	0	N/A	N/A					N/A	N/A	
<b>Blvd @ 38th St</b>	NORTH	0	0	N/A	N/A	36	20	45	B					45	B	
	EAST	0	0	N/A	N/A	36	20	30	C					30	C	
	SOUTH	0	0	N/A	N/A	30	20	32	C					32	C	
	WEST	0	0	N/A	N/A	36	20	10	E					10	E	
<b>S.Blvd @ 35th St</b>	NORTH	0	0	N/A	N/A	30	20	12	E					12	E	
	EAST	0	0	N/A	N/A	0	0	N/A	N/A					N/A	N/A	
	SOUTH	0	0	N/A	N/A	0	0	N/A	N/A					N/A	N/A	
	WEST	0	0	N/A	N/A	37	20	12	E					12	E	
<b>S.Blvd @ 36th St</b>	NORTH	0	0	N/A	N/A	30	20	53	B					53	B	
	EAST	0	0	N/A	N/A	0	0	N/A	N/A					N/A	N/A	
	SOUTH	0	0	N/A	N/A	30	20	20	D					20	D	
	WEST	0	0	N/A	N/A	35	20	28	C					28	C	
<b>S.Blvd @ 37th St</b>	NORTH	0	0	N/A	N/A	30	20	35	C					35	C	
	EAST	0	0	N/A	N/A	0	0	N/A	N/A					N/A	N/A	
	SOUTH	0	0	N/A	N/A	30	20	54	B					54	B	
	WEST	0	0	N/A	N/A	36	20	16	D					16	D	

## Appendix S.5.5

### Pedestrian Improvement Analysis - Crosswalk Level of Service

#### 2025 Future Conditions (MD)

Intersection	Crosswalk Location	2025 Future without the Proposed Action				2025 Future with the Proposed Action					2025 Future with the Proposed Action (Improvement)					
		Crosswalk length (Curb-to-Curb)	Crosswalk width	Pedestrian Space (s.f./ped.)	Surge Level of Service	Crosswalk length (Curb-to-Curb)	Crosswalk width	Pedestrian Space (s.f./ped.)	Surge Level of Service	Impact?	Proposed Crosswalk length	Proposed Crosswalk width	Signal Timing	Pedestrian Space (s.f./ped.)	Surge Level of Service	Still Impact?
<b>Twelfth Ave @ 30th St</b>	NORTH	0	0	N/A	N/A	0	0	N/A	N/A					N/A	N/A	
	EAST	33	19	3118	A	33	19	1559	A			69		1533	A	
	SOUTH	141	15	7302	A	141	15	2921	A					2921	A	
	WEST	0	0	N/A	N/A	0	0	N/A	N/A			69		N/A	N/A	
<b>Twelfth Ave @ 34th St</b>	NORTH	0	0	N/A	N/A	0	0	N/A	N/A					N/A	N/A	
	EAST	60	14	2476	A	60	14	1415	A				20	54	2623	A
	SOUTH	120	15	127	B	120	15	123	B				17	33	144	A
	WEST	0	0	N/A	N/A	0	0	N/A	N/A					54	N/A	N/A
<b>Twelfth Ave @ 39th St</b>	NORTH	0	0	N/A	N/A	131	20	233	A					233	A	
	EAST	49	11	571	A	0	0	N/A	N/A					67	N/A	N/A
	SOUTH	131	15	226	A	0	0	N/A	N/A						N/A	N/A
	WEST	0	0	N/A	N/A	0	0	N/A	N/A					67	N/A	N/A
<b>Twelfth Ave @ 40th St</b>	NORTH	0	0	N/A	N/A	0	0	N/A	N/A					N/A	N/A	
	EAST	38	14	1792	A	0	0	N/A	N/A					N/A	N/A	
	SOUTH	139	15	15270	A	0	0	N/A	N/A					N/A	N/A	
	WEST	0	0	N/A	N/A	0	0	N/A	N/A					N/A	N/A	
<b>Twelfth Ave @ 42nd St</b>	NORTH	140	15	138	A	140	15	141	A				17		159	A
	EAST	70	15	721	A	70	15	631	A				20		842	A
	SOUTH	140	15	156	A	140	15	156	A				17		177	A
	WEST	0	0	N/A	N/A	0	0	N/A	N/A						N/A	N/A
<b>Eleventh Ave @ 29th St</b>	NORTH	70	11	3370	A	70	11	632	A					1116	A	
	EAST	34	13	58	B	34	13	14	E	Yes				22	D	
	SOUTH	70	11	3370	A	70	11	3370	A					5207	A	
	WEST	34	13	146	A	34	13	21	D					32	C	
<b>Eleventh Ave @ 30th St</b>	NORTH	70	11	125	B	70	11	50	B					77	B	
	EAST	34	13	71	B	34	13	9	E	Yes				14	E	Yes
	SOUTH	70	11	3370	A	70	11	87	B					135	A	
	WEST	34	13	94	B	34	13	18	D					28	C	
<b>Eleventh Ave @ 33rd St</b>	NORTH	70	11	2765	A	70	11	66	B					102	B	
	EAST	34	13	165	A	34	13	18	D					28	C	
	SOUTH	70	11	4147	A	70	11	66	B					103	B	
	WEST	36	13	1145	A	0	0	N/A	N/A					N/A	N/A	
<b>Eleventh Ave @ 34th St</b>	NORTH	73	18	167	A	73	18	63	B					71	B	
	EAST	59	12	60	B	59	12	16	D					22	D	
	SOUTH	71	18	210	A	71	18	64	B					72	B	
	WEST	60	13	227	A	60	13	39	C					48	B	
<b>Eleventh Ave @ 35th St</b>	NORTH	87	10	1546	A	87	10	157	A					267	A	
	EAST	37	11	38	C	37	11	8	E	Yes				15	D	
	SOUTH	87	11	2977	A	87	11	108	B					167	A	
	WEST	0	0	N/A	N/A	0	0	N/A	N/A					N/A	N/A	
<b>Eleventh Ave @ 36th St</b>	NORTH	86	11	3149	A	86	11	193	A					298	A	
	EAST	35	10	29	C	35	10	5	F	Yes				10	E	Yes
	SOUTH	87	11	1907	A	87	11	99	B					153	A	
	WEST	0	0	N/A	N/A	0	0	N/A	N/A					N/A	N/A	

## Appendix S.5.5

### Pedestrian Improvement Analysis - Crosswalk Level of Service

#### 2025 Future Conditions (MD)

Intersection	Crosswalk Location	2025 Future without the Proposed Action				2025 Future with the Proposed Action					2025 Future with the Proposed Action (Improvement)					
		Crosswalk length (Curb-to-Curb)	Crosswalk width	Pedestrian Space (s.f./ped.)	Surge Level of Service	Crosswalk length (Curb-to-Curb)	Crosswalk width	Pedestrian Space (s.f./ped.)	Surge Level of Service	Impact?	Proposed Crosswalk length	Proposed Crosswalk width	Signal Timing	Pedestrian Space (s.f./ped.)	Surge Level of Service	Still Impact?
<b>Eleventh Ave @ 37th St</b>	NORTH	75	10	3850	A	75	10	164	A		17	30		306	A	
	EAST	36	8	49	B	36	8	9	E	Yes	20	50		19	D	
	SOUTH	75	10	453	A	75	10	164	A		17	30		306	A	
	WEST	0	0	N/A	N/A	0	0	N/A	N/A				50	N/A	N/A	
<b>Eleventh Ave @ 38th St</b>	NORTH	75	9	408	A	75	9	78	B		17			147	A	
	EAST	38	8	191	A	38	8	8	E	Yes	20			21	D	
	SOUTH	75	9	2310	A	75	9	151	A		17			285	A	
	WEST	0	0	N/A	N/A	0	0	N/A	N/A					N/A	N/A	
<b>Eleventh Ave @ 39th St</b>	NORTH	73	10	382	A	73	10	191	A		17	41		372	A	
	EAST	33	11	1273	A	33	11	19	D		20	39		30	C	
	SOUTH	76	12	168	A	76	12	127	B		17	41		206	A	
	WEST	36	13	810	A	0	0	N/A	N/A				39	N/A	N/A	
<b>Eleventh Ave @ 40th St</b>	NORTH	75	11	2823	A	75	11	82	B					82	B	
	EAST	60	10	1862	A	60	10	22	D					22	D	
	SOUTH	75	11	1412	A	75	11	1412	A					1412	A	
	WEST	36	13	816	A	0	0	N/A	N/A					N/A	N/A	
<b>Eleventh Ave @ 42nd St</b>	NORTH	70	15	57	B	70	15	65	B		17			73	B	
	EAST	69	13	234	A	69	13	33	C		20			51	B	
	SOUTH	71	15	84	B	71	15	31	C		17			35	C	
	WEST	68	14	199	A	68	14	53	B		20			76	B	
<b>Tenth Ave @ 29th St</b>	NORTH	70	11	118	B	70	11	53	B		17			82	B	
	EAST	34	13	64	B	34	13	21	D		20			33	C	
	SOUTH	70	11	79	B	70	11	44	B		17			67	B	
	WEST	34	13	47	B	34	13	8	E	Yes	20			12	E	Yes
<b>Tenth Ave @ 30th St</b>	NORTH	71	14	60	B	71	14	14	E	Yes	17	31		17	D	
	EAST	35	16	85	B	35	16	24	C		20	49		29	C	
	SOUTH	74	13	188	A	74	13	42	B		17	31		56	B	
	WEST	35	18	65	B	35	18	8	E	Yes	20	49		9	E	Yes
<b>Tenth Ave @ 31st St</b>	NORTH	70	13	86	B	70	13	20	D		17	33		27	C	
	EAST	34	12	48	B	34	12	14	E	Yes	20	47		23	D	
	SOUTH	70	11	1103	A	70	11	47	B		17	33		75	B	
	WEST	0	0	N/A	N/A	0	0	N/A	N/A				47	N/A	N/A	
<b>Tenth Ave @ 33rd St</b>	NORTH	69	12	32	C	69	12	12	E	Yes	17			17	D	
	EAST	32	14	40	B	32	14	10	E	Yes	20			14	E	Yes
	SOUTH	71	11	28	C	71	11	7	E	Yes	17			11	E	Yes
	WEST	35	13	37	C	35	13	4	F	Yes	20			6	E	Yes
<b>Tenth Ave @ 34th St</b>	NORTH	69	18	59	B	69	18	14	E	Yes			40	16	D	
	EAST	59	13	92	B	59	13	13	E	Yes	20			16	D	
	SOUTH	68	18	101	B	68	18	9	E	Yes				10	E	Yes
	WEST	59	13	83	B	59	13	6	E	Yes	20			8	E	Yes

## Appendix S.5.5

### Pedestrian Improvement Analysis - Crosswalk Level of Service

#### 2025 Future Conditions (MD)

Intersection	Crosswalk Location	2025 Future without the Proposed Action				2025 Future with the Proposed Action					2025 Future with the Proposed Action (Improvement)					
		Crosswalk length (Curb-to-Curb)	Crosswalk width	Pedestrian Space (s.f./ped.)	Surge Level of Service	Crosswalk length (Curb-to-Curb)	Crosswalk width	Pedestrian Space (s.f./ped.)	Surge Level of Service	Impact?	Proposed Crosswalk length	Proposed Crosswalk width	Signal Timing	Pedestrian Space (s.f./ped.)	Surge Level of Service	Still Impact?
<b>Tenth Ave @ 35th St</b>	NORTH	71	11	104	B	71	11	12	E	Yes		17		19	D	
	EAST	34	12	80	B	34	12	9	E	Yes		20		16	D	
	SOUTH	71	0	N/A	N/A	71	12	13	E			17		18	D	
	WEST	34	12	63	B	34	12	5	F	Yes		20		8	E	Yes
<b>Tenth Ave @ 36th St</b>	NORTH	70	10	120	B	70	10	19	D			17		32	C	
	EAST	37	12	139	A	37	12	11	E	Yes		20		19	D	
	SOUTH	70	11	252	A	70	11	18	D			17		27	C	
	WEST	36	12	95	B	36	12	6	E	Yes		20		11	E	Yes
<b>Tenth Ave @ 37th St</b>	NORTH	70	10	147	A	70	10	12	E	Yes		17		21	D	
	EAST	36	13	120	B	36	13	12	E	Yes		20		18	D	
	SOUTH	70	10	305	A	70	10	27	C			17		45	B	
	WEST	36	13	120	B	36	13	8	E	Yes		20		13	E	Yes
<b>Tenth Ave @ 38th St</b>	NORTH	70	10	217	A	70	10	14	E	Yes		17		23	D	
	EAST	36	13	162	A	36	13	13	E	Yes		20		21	D	
	SOUTH	70	10	349	A	70	10	21	D			17		35	C	
	WEST	36	13	184	A	36	13	11	E	Yes		20		18	D	
<b>Tenth Ave @ 39th St</b>	NORTH	70	13	242	A	70	13	70	B			17		92	B	
	EAST	36	10	93	B	36	10	10	E	Yes		20		19	D	
	SOUTH	70	13	293	A	70	13	29	C			17		38	C	
	WEST	50	11	164	A	50	11	15	D			20		28	C	
<b>Tenth Ave @ 40th St</b>	NORTH	69.5	11	190	A	69.5	11	27	C			17		42	B	
	EAST	40.3	13	370	A	40.3	13	13	E	Yes		20		20	D	
	SOUTH	74.9	10	538	A	74.9	10	129	B			17		219	A	
	WEST	32.7	13	139	A	32.7	13	15	D			20		22	D	
<b>Tenth Ave @ 41st St</b>	NORTH	68.9	13.8	171	A	68.9	13.8	56	B			17		69	B	
	EAST	60.8	13.1	170	A	60.8	13.1	15	D			20		23	D	
	SOUTH	69.5	13.5	283	A	69.5	13.5	28	C			17		36	C	
	WEST	30	11.1	71	B	30	11.1	11	E	Yes		20		19	D	
<b>Tenth Ave @ 42nd St</b>	NORTH	59.3	17.3	37	C	59.3	17.3	31	C					31	C	
	EAST	59.3	14.5	168	A	59.3	14.5	26	C			20		35	C	
	SOUTH	68.4	13.8	47	B	68.4	13.8	15	D			17		18	D	
	WEST	68.2	15	173	A	68.2	15	46	B			20		61	B	
<b>Dyer @ 42nd St</b>	NORTH	0	0	N/A	N/A	0	0	N/A	N/A					N/A	N/A	
	EAST	36	13.6	1145	A	36	13.6	1145	A					1145	A	
	SOUTH	40	14	77	B	40	14	77	B					77	B	
	WEST	36	12	1414	A	36	12	1414	A					1414	A	
<b>Ninth Ave @ 30th St</b>	NORTH	69.3	11.7	47	B	69.3	11.7	21	D			17		31	C	
	EAST	35.5	14.3	17	D	35.5	14.3	9	E	Yes		20		13	E	Yes
	SOUTH	63	15.1	113	B	63	15.1	71	B			17		80	B	
	WEST	97.6	14.5	48	B	97.6	14.5	23	D			20		31	C	



## Appendix S.5.5

### Pedestrian Improvement Analysis - Crosswalk Level of Service

#### 2025 Future Conditions (MD)

Intersection	Crosswalk Location	2025 Future without the Proposed Action				2025 Future with the Proposed Action					2025 Future with the Proposed Action (Improvement)						
		Crosswalk length (Curb-to-Curb)	Crosswalk width	Pedestrian Space (s.f./ped.)	Surge Level of Service	Crosswalk length (Curb-to-Curb)	Crosswalk width	Pedestrian Space (s.f./ped.)	Surge Level of Service	Impact?	Proposed Crosswalk length	Proposed Crosswalk width	Signal Timing	Pedestrian Space (s.f./ped.)	Surge Level of Service	Still Impact?	
<b>Ninth Ave @ 31st St</b>	NORTH	73	24	40	B	73	24	28	C					28	C		
	EAST	32	24	20	D	32	24	13	E	Yes				13	E	Yes	
	SOUTH	67.2	14	41	B	67.2	14	28	C					34	C		
	WEST	35.5	13	24	C	35.5	13	12	E	Yes		20		18	D		
<b>Ninth Ave @ 33rd St</b>	NORTH	68	12.5	27	C	68	12.5	18	D			17		25	C		
	EAST	35.2	24	18	D	35.2	24	10	E	Yes				10	E	Yes	
	SOUTH	68.4	24	27	C	68.4	24	16	D					16	D		
	WEST	32.5	13.5	13	E	32.5	13.5	6	E	Yes		20		9	E	Yes	
<b>Ninth Ave @ 34th St</b>	NORTH	69.3	20	36	C	69.3	20	22	D					22	D		
	EAST	51.7	15	16	D	51.7	15	10	E	Yes		20		13	E	Yes	
	SOUTH	66.9	20	48	B	66.9	20	19	D					19	D		
	WEST	60.5	15	27	C	60.5	15	13	E	Yes		20		17	D		
<b>Ninth Ave @ 37th St</b>	NORTH	70	10	76	B	70	10	22	D					22	D		
	EAST	36	13	27	C	36	13	10	E	Yes		20		15	D		
	SOUTH	70	10	104	B	70	10	36	C					36	C		
	WEST	36	13	26	C	36	13	11	E	Yes		20		16	D		
<b>Ninth Ave @ 38th St</b>	NORTH	70	9	278	A	70	9	35	C				31	35	C		
	EAST	37	13	61	B	37	13	13	E	Yes		20		49	20	D	
	SOUTH	70	9	278	A	70	9	35	C					31	35	C	
	WEST	37	13	65	B	37	13	19	D					49	19	D	
<b>Ninth Ave @ 39th St</b>	NORTH	70	10	108	B	70	10	62	B					62	B		
	EAST	36	13	39	C	36	13	13	E	Yes		20		19	D		
	SOUTH	70	10	76	B	70	10	31	C					31	C		
	WEST	36	13	113	B	36	13	29	C					29	C		
<b>Ninth Ave @ 42nd St</b>	NORTH	69	14.7	27	C	69	14.7	23	D			17	28	27	C		
	EAST	60.8	13.8	32	C	60.8	13.8	20	D			20		29	C		
	SOUTH	70.5	10	19	D	70.5	10	12	E	Yes		17	28	20	D		
	WEST	59.2	12.5	32	C	59.2	12.5	19	D			20		31	C		
<b>Eighth Ave @ 30th St</b>	NORTH	69.2	12	98	B	69.2	12	71	B					71	B		
	EAST	31.3	12.6	22	D	31.3	12.6	9	E	Yes		20		15	D		
	SOUTH	70.1	11.5	102	B	70.1	11.5	76	B					76	B		
	WEST	32.9	12.5	22	D	32.9	12.5	15	D			20		25	C		
<b>Eighth Ave @ 31st St</b>	NORTH	70	24	38	C	70	24	31	C					31	C		
	EAST	42	14.5	28	C	42	14.5	10	E	Yes		20		13	E	Yes	
	SOUTH	70	14.5	60	B	70	14.5	39	C					39	C		
	WEST	34	24	30	C	34	24	23	D					23	D		
<b>Eighth Ave @ 33rd St</b>	NORTH	66.4	14.5	25	C	66.4	14.5	20	D			17	40	21	D		
	EAST	31.7	20	12	E	31.7	20	6	E	Yes				40	6	E	Yes
	SOUTH	70.2	24	24	C	70.2	24	21	D					40	19	D	
	WEST	32.5	24	10	E	32.5	24	9	E	Yes				40	10	E	
<b>Eighth Ave @ 34th St</b>	NORTH	66.8	20	21	D	66.8	20	19	D					32	17	D	
	EAST	53.5	13	17	D	53.5	13	8	E	Yes		20		32	12	E	Yes
	SOUTH	67.7	20	35	C	67.7	20	30	C					32	27	C	
	WEST	54.3	13	11	E	54.3	13	10	E	Yes		20		32	13	E	

## Appendix S.5.5

### Pedestrian Improvement Analysis - Crosswalk Level of Service

#### 2025 Future Conditions (MD)

Intersection	Crosswalk Location	2025 Future without the Proposed Action				2025 Future with the Proposed Action					2025 Future with the Proposed Action (Improvement)						
		Crosswalk length (Curb-to-Curb)	Crosswalk width	Pedestrian Space (s.f./ped.)	Surge Level of Service	Crosswalk length (Curb-to-Curb)	Crosswalk width	Pedestrian Space (s.f./ped.)	Surge Level of Service	Impact?	Proposed Crosswalk length	Proposed Crosswalk width	Signal Timing	Pedestrian Space (s.f./ped.)	Surge Level of Service	Still Impact?	
<b>Eighth Ave @ 37th St</b>	NORTH	70	11	31	C	70	11	26	C					26	C		
	EAST	36	13	17	D	36	13	14	E	Yes		20		21	D		
	SOUTH	70	11	28	C	70	11	23	D					23	D		
	WEST	35	13	12	E	35	13	11	E	Yes		20		17	D		
<b>Eighth Ave @ 38th St</b>	NORTH	70	12	256	A	70	12	153	A					153	A		
	EAST	36	15	33	C	36	15	27	C			20		37	C		
	SOUTH	70	12	79	B	70	12	57	B					57	B		
	WEST	38	15	49	B	38	15	30	C			20		40	B		
<b>Eighth Ave @ 39th St</b>	NORTH	70	10	42	B	70	10	37	C					37	C		
	EAST	36	13	12	E	36	13	11	E	Yes		20		17	D		
	SOUTH	70	10	11	E	70	10	11	E					11	E		
	WEST	36	13	10	E	36	13	8	E	Yes		20		13	E		
<b>Eighth Ave @ 42nd St</b>	NORTH	71	19	26	C	71	19	24	C			20		25	C		
	EAST	55	26	22	D	55	26	21	D					21	D		
	SOUTH	69	19	17	D	69	19	15	D			20		16	D		
	WEST	60	27	32	C	60	27	29	C					29	C		
<b>Seventh Ave @ 31st St</b>	NORTH	75	11	20	D	75	11	15	D			17		24	C		
	EAST	34	17	16	D	34	17	13	E	Yes			23		18	D	
	SOUTH	60	11	32	C	60	11	24	C					38	C		
	WEST	42	17	29	C	42	17	16	D				23		21	D	
<b>Seventh Ave @ 33rd St</b>	NORTH	60	11	11	E	60	11	10	E	Yes			17	24	15	D	
	EAST	34	17	18	D	34	17	16	D				20	56	18	D	
	SOUTH	70	11	9	E	70	11	8	E	Yes			17	24	12	E	
	WEST	30	17	15	D	30	17	11	E	Yes			20	56	12	E	Yes
<b>Seventh Ave @ 34th St</b>	NORTH	60	21	19	D	60	21	18	D					39	19	D	
	EAST	54	18	28	C	54	18	23	D			20		40	24	C	
	SOUTH	60	21	32	C	60	21	29	C					39	30	C	
	WEST	54	18	24	C	54	18	20	D			20		40	21	D	
<b>Sixth Ave @ 33rd St</b>	NORTH	120	15	28	C	120	15	27	C			17		31	C		
	EAST	34	25	130	A	34	25	127	B					127	B		
	SOUTH	160	20	51	B	160	20	46	B					46	B		
	WEST	34	24	17	D	34	24	17	D					17	D		
<b>Sixth Ave @ 34th St</b>	NORTH	156	21	19	D	156	21	19	D					19	D		
	EAST	54	15	10	E	54	15	10	E			20		14	E		
	SOUTH	116	21	15	D	116	21	15	D					15	D		
	WEST	0	0	N/A	N/A	0	0	N/A	N/A					N/A	N/A		
<b>Broadway @ 34th St</b>	NORTH	156	21	17	D	156	21	16	D					16	D		
	EAST	0	0	N/A	N/A	0	0	N/A	N/A					N/A	N/A		
	SOUTH	116	21	15	D	116	21	15	D					15	D		
	WEST	54	28	13	E	54	28	12	E	Yes				12	E	Yes	
<b>Blvd @ 33rd St</b>	NORTH	0	0	N/A	N/A	30	25	14	E					14	E		
	EAST	0	0	N/A	N/A	35	20	12	E					12	E		
	SOUTH	0	0	N/A	N/A	0	0	N/A	N/A					N/A	N/A		
	WEST	0	0	N/A	N/A	35	20	16	D					16	D		

## Appendix S.5.5

### Pedestrian Improvement Analysis - Crosswalk Level of Service

#### 2025 Future Conditions (MD)

Intersection	Crosswalk Location	2025 Future without the Proposed Action				2025 Future with the Proposed Action					2025 Future with the Proposed Action (Improvement)					
		Crosswalk length (Curb-to-Curb)	Crosswalk width	Pedestrian Space (s.f./ped.)	Surge Level of Service	Crosswalk length (Curb-to-Curb)	Crosswalk width	Pedestrian Space (s.f./ped.)	Surge Level of Service	Impact?	Proposed Crosswalk length	Proposed Crosswalk width	Signal Timing	Pedestrian Space (s.f./ped.)	Surge Level of Service	Still Impact?
<b>Blvd @ 34th St</b>	NORTH	0	0	N/A	N/A	30	20	9	E					9	E	
	EAST	0	0	N/A	N/A	59	20	20	D					20	D	
	SOUTH	0	0	N/A	N/A	30	20	9	E					9	E	
	WEST	0	0	N/A	N/A	59	20	18	D					18	D	
<b>N.Blvd @ 35th St</b>	NORTH	0	0	N/A	N/A	30	20	10	E					10	E	
	EAST	0	0	N/A	N/A	34	20	11	E					11	E	
	SOUTH	0	0	N/A	N/A	30	20	12	E					12	E	
	WEST	0	0	N/A	N/A	0	0	N/A	N/A					N/A	N/A	
<b>N.Blvd @ 36th St</b>	NORTH	0	0	N/A	N/A	30	20	33	C					33	C	
	EAST	0	0	N/A	N/A	36	20	14	E					14	E	
	SOUTH	0	0	N/A	N/A	30	20	26	C					26	C	
	WEST	0	0	N/A	N/A	0	0	N/A	N/A					N/A	N/A	
<b>N.Blvd @ 37th St</b>	NORTH	0	0	N/A	N/A	30	20	12	E					12	E	
	EAST	0	0	N/A	N/A	36	20	19	D					19	D	
	SOUTH	0	0	N/A	N/A	30	20	48	B					48	B	
	WEST	0	0	N/A	N/A	0	0	N/A	N/A					N/A	N/A	
<b>Blvd @ 38th St</b>	NORTH	0	0	N/A	N/A	36	20	18	D					18	D	
	EAST	0	0	N/A	N/A	36	20	22	D					22	D	
	SOUTH	0	0	N/A	N/A	30	20	28	C					28	C	
	WEST	0	0	N/A	N/A	36	20	12	E					12	E	
<b>S.Blvd @ 35th St</b>	NORTH	0	0	N/A	N/A	30	20	9	E					9	E	
	EAST	0	0	N/A	N/A	0	0	N/A	N/A					N/A	N/A	
	SOUTH	0	0	N/A	N/A	0	0	N/A	N/A					N/A	N/A	
	WEST	0	0	N/A	N/A	37	20	9	E					9	E	
<b>S.Blvd @ 36th St</b>	NORTH	0	0	N/A	N/A	30	20	29	C					29	C	
	EAST	0	0	N/A	N/A	0	0	N/A	N/A					N/A	N/A	
	SOUTH	0	0	N/A	N/A	30	20	22	D					22	D	
	WEST	0	0	N/A	N/A	35	20	10	E					10	E	
<b>S.Blvd @ 37th St</b>	NORTH	0	0	N/A	N/A	30	20	12	E					12	E	
	EAST	0	0	N/A	N/A	0	0	N/A	N/A					N/A	N/A	
	SOUTH	0	0	N/A	N/A	30	20	48	B					48	B	
	WEST	0	0	N/A	N/A	36	20	11	E					11	E	

## Appendix S.5.5

### Pedestrian Improvement Analysis - Crosswalk Level of Service

#### 2025 Future Conditions (PM)

Intersection	Crosswalk Location	2025 Future without the Proposed Action				2025 Future with the Proposed Action					2025 Future with the Proposed Action (Improvement)					
		Crosswalk length (Curb-to-Curb)	Crosswalk width	Pedestrian Space (s.f./ped.)	Surge Level of Service	Crosswalk length (Curb-to-Curb)	Crosswalk width	Pedestrian Space (s.f./ped.)	Surge Level of Service	Impact?	Proposed Crosswalk length	Proposed Crosswalk width	Signal Timing	Pedestrian Space (s.f./ped.)	Surge Level of Service	Still Impact?
<b>Twelfth Ave @ 30th St</b>	NORTH	0	0	N/A	N/A	0	0	N/A	N/A					N/A	N/A	
	EAST	33	19	2696	A	33	19	1348	A			77		1323	A	
	SOUTH	141	15	4654	A	141	15	1995	A					1995	A	
	WEST	0	0	N/A	N/A	0	0	N/A	N/A			77		N/A	N/A	
<b>Twelfth Ave @ 34th St</b>	NORTH	0	0	N/A	N/A	0	0	N/A	N/A				35	N/A	N/A	
	EAST	60	14	1212	A	60	14	909	A		20		56	1120	A	
	SOUTH	120	15	151	A	120	15	144	A		17		35	172	A	
	WEST	0	0	N/A	N/A	0	0	N/A	N/A				56	N/A	N/A	
<b>Twelfth Ave @ 39th St</b>	NORTH	0	0	N/A	N/A	131	20	129	B					129	B	
	EAST	49	11	1199	A	0	0	N/A	N/A				68	N/A	N/A	
	SOUTH	131	15	241	A	0	0	N/A	N/A					N/A	N/A	
	WEST	0	0	N/A	N/A	0	0	N/A	N/A				68	N/A	N/A	
<b>Twelfth Ave @ 40th St</b>	NORTH	0	0	N/A	N/A	0	0	N/A	N/A					N/A	N/A	
	EAST	38	14	3043	A	0	0	N/A	N/A					N/A	N/A	
	SOUTH	139	15	5049	A	0	0	N/A	N/A					N/A	N/A	
	WEST	0	0	N/A	N/A	0	0	N/A	N/A					N/A	N/A	
<b>Twelfth Ave @ 42nd St</b>	NORTH	140	15	142	A	140	15	141	A			17	31	157	A	
	EAST	70	15	463	A	70	15	501	A		20		59	660	A	
	SOUTH	140	15	181	A	140	15	181	A		17		31	202	A	
	WEST	0	0	N/A	N/A	0	0	N/A	N/A				59	N/A	N/A	
<b>Eleventh Ave @ 29th St</b>	NORTH	70	11	5054	A	70	11	253	A			17		411	A	
	EAST	34	13	149	A	34	13	42	B		20			64	B	
	SOUTH	70	11	2527	A	70	11	2527	A		17			3906	A	
	WEST	34	13	313	A	34	13	71	B		20			109	B	
<b>Eleventh Ave @ 30th St</b>	NORTH	70	11	778	A	70	11	123	B			17		191	A	
	EAST	34	13	243	A	34	13	34	C		20			53	B	
	SOUTH	70	11	5054	A	70	11	225	A		17			347	A	
	WEST	34	13	346	A	34	13	45	B		20			69	B	
<b>Eleventh Ave @ 33rd St</b>	NORTH	70	11	4147	A	70	11	106	B			17	27	168	A	
	EAST	34	13	273	A	34	13	36	C		20		53	53	B	
	SOUTH	70	11	4147	A	70	11	93	B		17		27	148	A	
	WEST	36	13	1526	A	0	0	N/A	N/A				53	N/A	N/A	
<b>Eleventh Ave @ 34th St</b>	NORTH	73	18	224	A	73	18	68	B			20	21	73	B	
	EAST	59	12	254	A	59	12	42	B		20		38	52	B	
	SOUTH	71	18	256	A	71	18	47	B		20		21	51	B	
	WEST	60	13	317	A	60	13	49	B		20		38	55	B	
<b>Eleventh Ave @ 35th St</b>	NORTH	87	10	3608	A	87	10	318	A			17	45	581	A	
	EAST	37	11	181	A	37	11	25	C		20		35	43	B	
	SOUTH	87	11	11907	A	87	11	111	B		17		45	185	A	
	WEST	0	0	N/A	N/A	0	0	N/A	N/A				35	N/A	N/A	
<b>Eleventh Ave @ 36th St</b>	NORTH	86	11	4724	A	86	11	337	A			17		521	A	
	EAST	35	10	129	B	35	10	11	E	Yes	20			23	D	
	SOUTH	87	11	1907	A	87	11	76	B		17			118	B	
	WEST	0	0	N/A	N/A	0	0	N/A	N/A					N/A	N/A	

## Appendix S.5.5

### Pedestrian Improvement Analysis - Crosswalk Level of Service

#### 2025 Future Conditions (PM)

Intersection	Crosswalk Location	2025 Future without the Proposed Action				2025 Future with the Proposed Action					2025 Future with the Proposed Action (Improvement)					
		Crosswalk length (Curb-to-Curb)	Crosswalk width	Pedestrian Space (s.f./ped.)	Surge Level of Service	Crosswalk length (Curb-to-Curb)	Crosswalk width	Pedestrian Space (s.f./ped.)	Surge Level of Service	Impact?	Proposed Crosswalk length	Proposed Crosswalk width	Signal Timing	Pedestrian Space (s.f./ped.)	Surge Level of Service	Still Impact?
<b>Eleventh Ave @ 37th St</b>	NORTH	75	10	2567	A	75	10	157	A			17	47	374	A	
	EAST	36	8	241	A	36	8	18	D			20	33	28	C	
	SOUTH	75	10	3850	A	75	10	385	A			17	47	916	A	
	WEST	0	0	N/A	N/A	0	0	N/A	N/A				33	N/A	N/A	
<b>Eleventh Ave @ 38th St</b>	NORTH	75	9	3465	A	75	9	301	A			17		569	A	
	EAST	38	8	1722	A	38	8	13	E	Yes		20		32	C	
	SOUTH	75	9	770	A	75	9	192	A			17		364	A	
	WEST	0	0	N/A	N/A	0	0	N/A	N/A					N/A	N/A	
<b>Eleventh Ave @ 39th St</b>	NORTH	73	10	4200	A	73	10	525	A			17		892	A	
	EAST	33	11	2121	A	33	11	19	D			20		35	C	
	SOUTH	76	12	204	A	76	12	108	B			17		154	A	
	WEST	36	13	2025	A	0	0	N/A	N/A					N/A	N/A	
<b>Eleventh Ave @ 40th St</b>	NORTH	75	11	4235	A	75	11	58	B					58	B	
	EAST	60	10	5586	A	60	10	20	D					20	D	
	SOUTH	75	11	423	A	75	11	385	A					385	A	
	WEST	36	13	516	A	0	0	N/A	N/A					N/A	N/A	
<b>Eleventh Ave @ 42nd St</b>	NORTH	70	15	55	B	70	15	40	B			17	35	47	B	
	EAST	69	13	256	A	69	13	53	B			20	31	77	B	
	SOUTH	71	15	78	B	71	15	25	C			17	35	29	C	
	WEST	68	14	145	A	68	14	57	B			20	31	77	B	
<b>Tenth Ave @ 29th St</b>	NORTH	70	11	158	A	70	11	118	B			17		182	A	
	EAST	34	13	143	A	34	13	63	B			20		97	B	
	SOUTH	70	11	106	B	70	11	90	B			17		139	A	
	WEST	34	13	67	B	34	13	25	C			20		38	C	
<b>Tenth Ave @ 30th St</b>	NORTH	71	14	172	A	71	14	54	B			17	32	67	B	
	EAST	35	16	191	A	35	16	63	B			20	48	76	B	
	SOUTH	74	13	253	A	74	13	121	B			17	32	162	A	
	WEST	35	18	106	B	35	18	29	C			20	48	31	C	
<b>Tenth Ave @ 31st St</b>	NORTH	70	13	695	A	70	13	19	D			17	43	29	C	
	EAST	34	12	101	B	34	12	33	C			20	37	44	B	
	SOUTH	70	11	2941	A	70	11	88	B			17	43	163	A	
	WEST	0	0	N/A	N/A	0	0	N/A	N/A				37	N/A	N/A	
<b>Tenth Ave @ 33rd St</b>	NORTH	69	12	203	A	69	12	8	E	Yes		17	34	12	E	Yes
	EAST	32	14	127	B	32	14	11	E	Yes		20	46	15	D	
	SOUTH	71	11	86	B	71	11	5	F	Yes		17	34	8	E	Yes
	WEST	35	13	112	B	35	13	8	E	Yes		20	46	12	E	Yes
<b>Tenth Ave @ 34th St</b>	NORTH	69	18	106	B	69	18	16	D				42	19	D	
	EAST	59	13	209	A	59	13	20	D			20	38	25	C	
	SOUTH	68	18	106	B	68	18	10	E	Yes			42	12	E	Yes
	WEST	59	13	205	A	59	13	15	D			20	38	20	D	

## Appendix S.5.5

### Pedestrian Improvement Analysis - Crosswalk Level of Service

#### 2025 Future Conditions (PM)

Intersection	Crosswalk Location	2025 Future without the Proposed Action				2025 Future with the Proposed Action					2025 Future with the Proposed Action (Improvement)						
		Crosswalk length (Curb-to-Curb)	Crosswalk width	Pedestrian Space (s.f./ped.)	Surge Level of Service	Crosswalk length (Curb-to-Curb)	Crosswalk width	Pedestrian Space (s.f./ped.)	Surge Level of Service	Impact?	Proposed Crosswalk length	Proposed Crosswalk width	Signal Timing	Pedestrian Space (s.f./ped.)	Surge Level of Service	Still Impact?	
<b>Tenth Ave @ 35th St</b>	NORTH	71	11	142	A	71	11	19	D				17		29	C	
	EAST	34	12	151	A	34	12	21	D				20		35	C	
	SOUTH	71	0	N/A	N/A	71	12	20	D				17		29	C	
	WEST	34	12	121	B	34	12	12	E	Yes				20		20	D
<b>Tenth Ave @ 36th St</b>	NORTH	70	10	251	A	70	10	26	C				17		45	B	
	EAST	37	12	170	A	37	12	27	C				20		46	B	
	SOUTH	70	11	95	B	70	11	32	C				17		49	B	
	WEST	36	12	107	B	36	12	18	D				20		30	C	
<b>Tenth Ave @ 37th St</b>	NORTH	70	10	257	A	70	10	26	C				17	35	46	B	
	EAST	36	13	306	A	36	13	33	C				20	45	48	B	
	SOUTH	70	10	358	A	70	10	22	D				17	35	38	C	
	WEST	36	13	378	A	36	13	25	C				20	45	36	C	
<b>Tenth Ave @ 38th St</b>	NORTH	70	10	472	A	70	10	31	C				17		52	B	
	EAST	36	13	266	A	36	13	31	C				20		48	B	
	SOUTH	70	10	422	A	70	10	36	C				17		61	B	
	WEST	36	13	330	A	36	13	23	D				20		36	C	
<b>Tenth Ave @ 39th St</b>	NORTH	70	13	359	A	70	13	51	B				17	33	65	B	
	EAST	36	10	175	A	36	10	15	D				20	47	31	C	
	SOUTH	70	13	247	A	70	13	38	C				17	33	49	B	
	WEST	50	11	270	A	50	11	21	D				20	47	40	B	
<b>Tenth Ave @ 40th St</b>	NORTH	70	11	475	A	70	11	52	B				17	31	75	B	
	EAST	40	13	232	A	40	13	16	D				20	49	27	C	
	SOUTH	75	10	1526	A	75	10	218	A				17	31	347	A	
	WEST	33	13	212	A	33	13	15	D				20	49	26	C	
<b>Tenth Ave @ 41st St</b>	NORTH	69	13.8	171	A	69	13.8	92	B				17	35	98	B	
	EAST	61	13.1	167	A	61	13.1	27	C				20	45	48	B	
	SOUTH	70	13.5	739	A	70	13.5	22	D				17	35	24	C	
	WEST	30	11.1	129	B	30	11.1	16	D				20	45	34	C	
<b>Tenth Ave @ 42nd St</b>	NORTH	59	17.3	34	C	59	17.3	28	C						28	C	
	EAST	59	14.5	157	A	59	14.5	51	B				20		70	B	
	SOUTH	68	13.8	53	B	68	13.8	15	D				17		18	D	
	WEST	68	15	273	A	68	15	76	B				20		101	B	
<b>Dyer @ 42nd St</b>	NORTH	0	0	N/A	N/A	0	0	N/A	N/A						N/A	N/A	
	EAST	36	13.6	668	A	36	13.6	668	A						668	A	
	SOUTH	40	14	46	B	40	14	49	B						49	B	
	WEST	36	12	337	A	36	12	337	A						337	A	
<b>Ninth Ave @ 30th St</b>	NORTH	69	11.7	144	A	69	11.7	69	B				17		100	B	
	EAST	36	14.3	43	B	36	14.3	28	C				20		39	C	
	SOUTH	63	15.1	149	A	63	15.1	103	B				17		116	B	
	WEST	98	14.5	148	A	98	14.5	88	B				20		122	B	

## Appendix S.5.5

### Pedestrian Improvement Analysis - Crosswalk Level of Service

#### 2025 Future Conditions (PM)

Intersection	Crosswalk Location	2025 Future without the Proposed Action				2025 Future with the Proposed Action					2025 Future with the Proposed Action (Improvement)					
		Crosswalk length (Curb-to-Curb)	Crosswalk width	Pedestrian Space (s.f./ped.)	Surge Level of Service	Crosswalk length (Curb-to-Curb)	Crosswalk width	Pedestrian Space (s.f./ped.)	Surge Level of Service	Impact?	Proposed Crosswalk length	Proposed Crosswalk width	Signal Timing	Pedestrian Space (s.f./ped.)	Surge Level of Service	Still Impact?
<b>Ninth Ave @ 31st St</b>	NORTH	73	24	82	B	73	24	38	C				35	41	B	
	EAST	32	24	66	B	32	24	50	B				45	46	B	
	SOUTH	67	14	125	B	67	14	59	B			17	35	76	B	
	WEST	36	13	94	B	36	13	48	B			20	45	67	B	
<b>Ninth Ave @ 33rd St</b>	NORTH	68	12.5	62	B	68	12.5	16	D			17	35	23	D	
	EAST	35	24	31	C	35	24	16	D				45	15	D	
	SOUTH	68	24	27	C	68	24	12	E	Yes			35	13	E	Yes
	WEST	33	13.5	27	C	33	13.5	10	E	Yes		20	45	14	E	Yes
<b>Ninth Ave @ 34th St</b>	NORTH	69	20	28	C	69	20	15	D				39	17	D	
	EAST	52	15	23	D	52	15	15	D			20	24	17	D	
	SOUTH	67	20	42	B	67	20	17	D				39	19	D	
	WEST	61	15	37	C	61	15	20	D			20	24	24	C	
<b>Ninth Ave @ 37th St</b>	NORTH	70	10	72	B	70	10	30	C					30	C	
	EAST	36	13	26	C	36	13	18	D			20		28	C	
	SOUTH	70	10	110	B	70	10	40	B					40	B	
	WEST	36	13	28	C	36	13	19	D			20		30	C	
<b>Ninth Ave @ 38th St</b>	NORTH	70	9	144	A	70	9	43	B					43	B	
	EAST	37	13	44	B	37	13	22	D			20		35	C	
	SOUTH	70	9	168	A	70	9	40	B					40	B	
	WEST	37	13	99	B	37	13	48	B					48	B	
<b>Ninth Ave @ 39th St</b>	NORTH	70	10	85	B	70	10	53	B					53	B	
	EAST	36	13	25	C	36	13	15	D			20		24	C	
	SOUTH	70	10	86	B	70	10	42	B					42	B	
	WEST	36	13	61	B	36	13	39	C					39	C	
<b>Ninth Ave @ 42nd St</b>	NORTH	69	14.7	20	D	69	14.7	17	D			17	31	20	D	
	EAST	61	13.8	24	C	61	13.8	19	D			20	34	27	C	
	SOUTH	71	10	20	D	71	10	13	E	Yes		17	31	23	D	
	WEST	59	12.5	23	D	59	12.5	19	D			20	34	30	C	
<b>Eighth Ave @ 30th St</b>	NORTH	69	12	131	A	69	12	91	B					42	96	B
	EAST	31	12.6	18	D	31	12.6	11	E	Yes		20	38	17	D	
	SOUTH	70	11.5	156	A	70	11.5	108	B					42	115	B
	WEST	33	12.5	25	C	33	12.5	18	D			20	38	27	C	
<b>Eighth Ave @ 31st St</b>	NORTH	70	24	47	B	70	24	41	B					38	39	C
	EAST	42	14.5	31	C	42	14.5	13	E	Yes		20	42	19	D	
	SOUTH	70	14.5	85	B	70	14.5	52	B					38	50	B
	WEST	34	24	42	B	34	24	34	C					42	36	C
<b>Eighth Ave @ 33rd St</b>	NORTH	66	14.5	17	D	66	14.5	13	E	Yes		17	40	14	E	Yes
	EAST	32	20	10	E	32	20	5	F	Yes			40	6	E	Yes
	SOUTH	70	24	25	C	70	24	21	D				40	19	D	
	WEST	33	24	9	E	33	24	8	E	Yes			40	9	E	
<b>Eighth Ave @ 34th St</b>	NORTH	67	20	22	D	67	20	15	D				29	13	E	Yes
	EAST	54	13	15	D	54	13	8	E	Yes		20	35	12	E	Yes
	SOUTH	68	20	38	C	68	20	25	C				29	22	D	
	WEST	54	13	10	E	54	13	9	E	Yes		20	35	13	E	

## Appendix S.5.5

### Pedestrian Improvement Analysis - Crosswalk Level of Service

#### 2025 Future Conditions (PM)

Intersection	Crosswalk Location	2025 Future without the Proposed Action				2025 Future with the Proposed Action					2025 Future with the Proposed Action (Improvement)					
		Crosswalk length (Curb-to-Curb)	Crosswalk width	Pedestrian Space (s.f./ped.)	Surge Level of Service	Crosswalk length (Curb-to-Curb)	Crosswalk width	Pedestrian Space (s.f./ped.)	Surge Level of Service	Impact?	Proposed Crosswalk length	Proposed Crosswalk width	Signal Timing	Pedestrian Space (s.f./ped.)	Surge Level of Service	Still Impact?
<b>Eighth Ave @ 37th St</b>	NORTH	70	11	72	B	70	11	54	B					54	B	
	EAST	36	13	12	E	36	13	10	E	Yes		20		16	D	
	SOUTH	70	11	55	B	70	11	36	C					36	C	
	WEST	35	13	9	E	35	13	8	E	Yes		20		12	E	
<b>Eighth Ave @ 38th St</b>	NORTH	70	12	564	A	70	12	151	A					151	A	
	EAST	36	15	147	A	36	15	63	B			20		84	B	
	SOUTH	70	12	134	A	70	12	69	B					69	B	
	WEST	38	15	46	B	38	15	27	C			20		36	C	
<b>Eighth Ave @ 39th St</b>	NORTH	70	10	60	B	70	10	54	B					54	B	
	EAST	36	13	8	E	36	13	7	E	Yes		20		12	E	
	SOUTH	70	10	39	C	70	10	32	C					32	C	
	WEST	36	13	5	F	36	13	4	F	Yes		20		7	E	
<b>Eighth Ave @ 42nd St</b>	NORTH	71	19	17	D	71	19	16	D			20	30	18	D	
	EAST	55	26	14	E	55	26	14	E					38	14	E
	SOUTH	69	19	9	E	69	19	8	E	Yes		20		30	9	E
	WEST	60	27	13	E	60	27	13	E					38	13	E
<b>Seventh Ave @ 31st St</b>	NORTH	75	11	12	E	75	11	10	E	Yes		17	42	16	D	
	EAST	34	17	15	D	34	17	14	E	Yes				23	18	D
	SOUTH	60	11	14	E	60	11	13	E	Yes		17		42	21	D
	WEST	42	17	16	D	42	17	14	E	Yes		23	38	18	D	
<b>Seventh Ave @ 33rd St</b>	NORTH	60	11	8	E	60	11	7	E	Yes		17	25	11	E	
	EAST	34	17	17	D	34	17	16	D			20		55	18	D
	SOUTH	70	11	8	E	70	11	7	E	Yes		17		25	11	E
	WEST	30	17	13	E	30	17	11	E	Yes		20		55	12	E
<b>Seventh Ave @ 34th St</b>	NORTH	60	21	58	B	60	21	48	B				38	50	B	
	EAST	54	18	67	B	54	18	59	B			20		41	63	B
	SOUTH	60	21	50	B	60	21	38	C					38	40	B
	WEST	54	18	56	B	54	18	44	B			20		41	46	B
<b>Sixth Ave @ 33rd St</b>	NORTH	120	15	21	D	120	15	19	D			17		22	D	
	EAST	34	25	89	B	34	25	84	B					84	B	
	SOUTH	160	20	24	C	160	20	20	D					20	D	
	WEST	34	24	15	D	34	24	15	D					15	D	
<b>Sixth Ave @ 34th St</b>	NORTH	156	21	20	D	156	21	19	D					19	D	
	EAST	54	15	13	E	54	15	12	E	Yes		20		16	D	
	SOUTH	116	21	16	D	116	21	16	D					16	D	
	WEST	0	0	N/A	N/A	0	0	N/A	N/A					N/A	N/A	
<b>Broadway @ 34th St</b>	NORTH	156	21	17	D	156	21	17	D					17	D	
	EAST	0	0	N/A	N/A	0	0	N/A	N/A					N/A	N/A	
	SOUTH	116	21	16	D	116	21	16	D					16	D	
	WEST	54	28	14	E	54	28	13	E	Yes				13	E	Yes
<b>Blvd @ 33rd St</b>	NORTH	0	0	N/A	N/A	30	25	8	E				45	10	E	
	EAST	0	0	N/A	N/A	35	20	19	D					45	18	D
	SOUTH	0	0	N/A	N/A	0	0	N/A	N/A					N/A	N/A	
	WEST	0	0	N/A	N/A	35	20	8	E					45	8	E



## Appendix S.5.5

### Pedestrian Improvement Analysis - Crosswalk Level of Service

#### 2025 Future Conditions (PM)

Intersection	Crosswalk Location	2025 Future without the Proposed Action				2025 Future with the Proposed Action					2025 Future with the Proposed Action (Improvement)					
		Crosswalk length (Curb-to-Curb)	Crosswalk width	Pedestrian Space (s.f./ped.)	Surge Level of Service	Crosswalk length (Curb-to-Curb)	Crosswalk width	Pedestrian Space (s.f./ped.)	Surge Level of Service	Impact?	Proposed Crosswalk length	Proposed Crosswalk width	Signal Timing	Pedestrian Space (s.f./ped.)	Surge Level of Service	Still Impact?
<b>Blvd @ 34th St</b>	NORTH	0	0	N/A	N/A	30	20	11	E					11	E	
	EAST	0	0	N/A	N/A	59	20	41	B					41	B	
	SOUTH	0	0	N/A	N/A	30	20	9	E					9	E	
	WEST	0	0	N/A	N/A	59	20	36	C					36	C	
<b>N.Blvd @ 35th St</b>	NORTH	0	0	N/A	N/A	30	20	16	D					16	D	
	EAST	0	0	N/A	N/A	34	20	16	D					16	D	
	SOUTH	0	0	N/A	N/A	30	20	11	E					11	E	
	WEST	0	0	N/A	N/A	0	0	N/A	N/A					N/A	N/A	
<b>N.Blvd @ 36th St</b>	NORTH	0	0	N/A	N/A	30	20	47	B					47	B	
	EAST	0	0	N/A	N/A	36	20	32	C					32	C	
	SOUTH	0	0	N/A	N/A	30	20	36	C					36	C	
	WEST	0	0	N/A	N/A	0	0	N/A	N/A					N/A	N/A	
<b>N.Blvd @ 37th St</b>	NORTH	0	0	N/A	N/A	30	20	36	C					36	C	
	EAST	0	0	N/A	N/A	36	20	36	C					36	C	
	SOUTH	0	0	N/A	N/A	30	20	50	B					50	B	
	WEST	0	0	N/A	N/A	0	0	N/A	N/A					N/A	N/A	
<b>Blvd @ 38th St</b>	NORTH	0	0	N/A	N/A	36	20	52	B					52	B	
	EAST	0	0	N/A	N/A	36	20	35	C					35	C	
	SOUTH	0	0	N/A	N/A	30	20	32	C					32	C	
	WEST	0	0	N/A	N/A	36	20	11	E					11	E	
<b>S.Blvd @ 35th St</b>	NORTH	0	0	N/A	N/A	30	20	13	E					13	E	
	EAST	0	0	N/A	N/A	0	0	N/A	N/A					N/A	N/A	
	SOUTH	0	0	N/A	N/A	0	0	N/A	N/A					N/A	N/A	
	WEST	0	0	N/A	N/A	37	20	13	E					13	E	
<b>S.Blvd @ 36th St</b>	NORTH	0	0	N/A	N/A	30	20	41	B					41	B	
	EAST	0	0	N/A	N/A	0	0	N/A	N/A					N/A	N/A	
	SOUTH	0	0	N/A	N/A	30	20	31	C					31	C	
	WEST	0	0	N/A	N/A	35	20	29	C					29	C	
<b>S.Blvd @ 37th St</b>	NORTH	0	0	N/A	N/A	30	20	36	C					36	C	
	EAST	0	0	N/A	N/A	0	0	N/A	N/A					N/A	N/A	
	SOUTH	0	0	N/A	N/A	30	20	50	B					50	B	
	WEST	0	0	N/A	N/A	36	20	16	D					16	D	

## Appendix S.5.5

### Pedestrian Improvement Analysis - Crosswalk Level of Service

#### 2025 Future Conditions (EVE)

Intersection	Crosswalk Location	2025 Future without the Proposed Action				2025 Future with the Proposed Action					2025 Future with the Proposed Action (Improvement)					
		Crosswalk length (Curb-to-Curb)	Crosswalk width	Pedestrian Space (s.f./ped.)	Surge Level of Service	Crosswalk length (Curb-to-Curb)	Crosswalk width	Pedestrian Space (s.f./ped.)	Surge Level of Service	Impact?	Proposed Crosswalk length	Proposed Crosswalk width	Traffic Signal Timing Improvement	Pedestrian Space (s.f./ped.)	Surge Level of Service	Still Impact?
Twelfth Ave @ 30th St	NORTH	0	0	N/A	N/A	0	0	N/A	N/A					N/A	N/A	
	EAST	33	19	3118	A	33	19	3118	A					3118	A	
	SOUTH	110	15	6015	A	110	15	6015	A					6015	A	
	WEST	0	0	N/A	N/A	0	0	N/A	N/A					N/A	N/A	
Twelfth Ave @ 34th St	NORTH	0	0	N/A	N/A	0	0	N/A	N/A							
	EAST	60	14	3301	A	60	14	19	D					35	C	
	SOUTH	120	15	6713	A	120	15	14	E	Yes				8448	A	
	WEST	0	0	N/A	N/A	0	0	N/A	N/A					N/A	N/A	
Eleventh Ave @ 30th St	NORTH	70	11	2527	A	70	11	19	D					66	B	
	EAST	34	13	1642	A	34	13	103	B					158	A	
	SOUTH	70	11	3370	A	70	11	215	A					332	A	
	WEST	34	13	2190	A	34	13	47	B					72	B	
Eleventh Ave @ 33rd St	NORTH	70	11	4147	A	70	11	10	E	Yes				15	D	
	EAST	34	13	1247	A	34	13	236	A					363	A	
	SOUTH	70	11	4147	A	70	11	5	F	Yes				16	D	
	WEST	36	13	4578	A	0	0	N/A	N/A					N/A	N/A	
Eleventh Ave @ 34th St	NORTH	73	18	1506	A	73	18	50	B					61	B	
	EAST	59	12	946	A	59	12	16	D					17	D	
	SOUTH	71	18	1325	A	71	18	9	E	Yes				12	E	Yes
	WEST	60	13	2075	A	60	13	18	D					18	D	
Eleventh Ave @ 39th St	NORTH	73	10	4200	A	73	10	4200	A					7139	A	
	EAST	33	11	3182	A	33	11	707	A					1286	A	
	SOUTH	76	12	1156	A	76	12	274	A					388	A	
	WEST	36	13	623	A	0	0	N/A	N/A					N/A	N/A	
Eleventh Ave @ 42nd St	NORTH	70	15	129	B	70	15	83	B					95	B	
	EAST	69	13	245	A	69	13	131	A					202	A	
	SOUTH	71	15	211	A	71	15	105	B					118	B	
	WEST	68	14	260	A	68	14	114	B					163	A	
Tenth Ave @ 30th St	NORTH	71	14	1032	A	71	14	46	B					128	B	
	EAST	35	16	551	A	35	16	268	A					335	A	
	SOUTH	74	13	838	A	74	13	454	A					594	A	
	WEST	35	18	349	A	35	18	155	A					172	A	
Tenth Ave @ 31st St	NORTH	70	13	2085	A	70	13	20	D					26	C	
	EAST	34	12	454	A	34	12	25	C					29	C	
	SOUTH	70	11	2205	A	70	11	85	B					131	A	
	WEST	0	0	N/A	N/A	0	0	N/A	N/A					N/A	N/A	
Tenth Ave @ 33rd St	NORTH	69	12	542	A	69	12	47	B					66	B	
	EAST	32	14	287	A	32	14	75	B					109	B	
	SOUTH	71	11	381	A	71	11	2	F	Yes				9	E	Yes
	WEST	35	13	776	A	35	13	81	B					127	B	
Tenth Ave @ 34th St	NORTH	69	18	460	A	69	18	174	A					174	A	
	EAST	59	13	373	A	59	13	162	A					249	A	
	SOUTH	68	18	220	A	68	18	54	B					54	B	
	WEST	59	13	946	A	59	13	192	A					296	A	

## Appendix S.5.5

### Pedestrian Improvement Analysis - Crosswalk Level of Service

#### 2025 Future Conditions (EVE)

Intersection	Crosswalk Location	2025 Future without the Proposed Action				2025 Future with the Proposed Action					2025 Future with the Proposed Action (Improvement)					
		Crosswalk length (Curb-to-Curb)	Crosswalk width	Pedestrian Space (s.f./ped.)	Surge Level of Service	Crosswalk length (Curb-to-Curb)	Crosswalk width	Pedestrian Space (s.f./ped.)	Surge Level of Service	Impact?	Proposed Crosswalk length	Proposed Crosswalk width	Traffic Signal Timing Improvement	Pedestrian Space (s.f./ped.)	Surge Level of Service	Still Impact?
<b>Ninth Ave @ 30th St</b>	NORTH	69	12	420	A	69	12	165	A					240	A	
	EAST	36	14	132	A	36	14	87	B					122	B	
	SOUTH	63	15	524	A	63	15	365	A					411	A	
	WEST	98	15	546	A	98	15	186	A					256	A	
<b>Ninth Ave @ 31st St</b>	NORTH	73	24	711	A	73	24	44	B					44	B	
	EAST	32	24	242	A	32	24	148	A					148	A	
	SOUTH	67	14	724	A	67	14	155	A					188	A	
	WEST	36	13	233	A	36	13	58	B					89	B	
<b>Ninth Ave @ 33rd St</b>	NORTH	68	13	233	A	68	13	25	C					34	C	
	EAST	35	24	159	A	35	24	46	B					46	B	
	SOUTH	68	24	149	A	68	24	11	E	Yes				21	D	
	WEST	33	14	192	A	33	14	8	E	Yes				12	E	Yes
<b>Ninth Ave @ 34th St</b>	NORTH	69	20	156	A	69	20	50	B					30	B	
	EAST	52	15	106	B	52	15	40	B					46	B	
	SOUTH	67	20	155	A	67	20	46	B					49	B	
	WEST	61	15	256	A	61	15	23	D					27	C	
<b>Eighth Ave @ 30th St</b>	NORTH	69	12	354	A	69	12	163	A					163	A	
	EAST	31	13	58	B	31	13	44	B					70	B	
	SOUTH	70	12	302	A	70	12	214	A					214	A	
	WEST	33	13	55	B	33	13	49	B					78	B	
<b>Eighth Ave @ 31st St</b>	NORTH	70	24	131	A	70	24	64	B					64	B	
	EAST	42	15	42	B	42	15	32	C					44	B	
	SOUTH	70	15	215	A	70	15	111	B					111	B	
	WEST	34	24	89	B	34	24	83	B					83	B	
<b>Eighth Ave @ 33rd St</b>	NORTH	66	15	65	B	66	15	31	C					29	C	
	EAST	32	20	20	D	32	20	18	D					17	D	
	SOUTH	70	24	63	B	70	24	49	B					74	B	
	WEST	33	24	17	D	33	24	17	D					16	D	
<b>Eighth Ave @ 34th St</b>	NORTH	67	20	75	B	67	20	62	B					30	B	
	EAST	54	13	21	D	54	13	19	D					25	C	
	SOUTH	68	20	10	E	68	20	9	E	Yes				8	E	Yes
	WEST	54	13	45	B	54	13	41	B					54	B	
<b>Sixth Ave @ 34th St</b>	NORTH	156	21	75	B	156	21	75	B					75	B	
	EAST	54	15	35	C	54	15	35	C					47	B	
	SOUTH	116	21	45	B	116	21	45	B					45	B	
	WEST	0	0	N/A	N/A	0	0	N/A	N/A					N/A	N/A	
<b>Broadway @ 34th St</b>	NORTH	156	21	53	B	156	21	53	B					53	B	
	EAST	0	0	N/A	N/A	0	0	N/A	N/A					N/A	N/A	
	SOUTH	116	21	45	B	116	21	45	B					45	B	
	WEST	54	28	59	B	54	28	59	B					59	B	
<b>Blvd @ 33rd St</b>	NORTH	0	0	N/A	N/A	30	25	21	D					21	D	
	EAST	0	0	N/A	N/A	35	20	121	B					121	B	
	SOUTH	0	0	N/A	N/A	0	0	N/A	N/A					N/A	N/A	
	WEST	0	0	N/A	N/A	35	20	34	C					34	C	

## Appendix S.5.5

### Pedestrian Improvement Analysis - Crosswalk Level of Service

#### 2025 Future Conditions (EVE)

Intersection	Crosswalk Location	2025 Future without the Proposed Action				2025 Future with the Proposed Action					2025 Future with the Proposed Action (Improvement)					
		Crosswalk length (Curb-to-Curb)	Crosswalk width	Pedestrian Space (s.f./ped.)	Surge Level of Service	Crosswalk length (Curb-to-Curb)	Crosswalk width	Pedestrian Space (s.f./ped.)	Surge Level of Service	Impact?	Proposed Crosswalk length	Proposed Crosswalk width	Traffic Signal Timing Improvement	Pedestrian Space (s.f./ped.)	Surge Level of Service	Still Impact?
<b>Blvd @ 34th St</b>	NORTH	0	0	N/A	N/A	30	20	53	B					53	B	
	EAST	0	0	N/A	N/A	59	20	106	B					106	B	
	SOUTH	0	0	N/A	N/A	30	20	34	C					34	C	
	WEST	0	0	N/A	N/A	59	20	69	B					69	B	
<b>N.Blvd @ 35th St</b>	NORTH	0	0	N/A	N/A	30	20	101	B					101	B	
	EAST	0	0	N/A	N/A	34	20	102	B					102	B	
	SOUTH	0	0	N/A	N/A	30	20	38	C					38	C	
	WEST	0	0	N/A	N/A	0	0	N/A	N/A					N/A	N/A	
<b>N.Blvd @ 36th St</b>	NORTH	0	0	N/A	N/A	30	20	377	A					377	A	
	EAST	0	0	N/A	N/A	36	20	343	A					343	A	
	SOUTH	0	0	N/A	N/A	30	20	60	B					60	B	
	WEST	0	0	N/A	N/A	0	0	N/A	N/A					N/A	N/A	
<b>N.Blvd @ 37th St</b>	NORTH	0	0	N/A	N/A	30	20	363	A					363	A	
	EAST	0	0	N/A	N/A	36	20	260	A					260	A	
	SOUTH	0	0	N/A	N/A	30	20	887	A					887	A	
	WEST	0	0	N/A	N/A	0	0	N/A	N/A					N/A	N/A	
<b>Blvd @ 38th St</b>	NORTH	0	0	N/A	N/A	36	20	590	A					590	A	
	EAST	0	0	N/A	N/A	36	20	226	A					226	A	
	SOUTH	0	0	N/A	N/A	30	20	323	A					323	A	
	WEST	0	0	N/A	N/A	36	20	221	A					221	A	
<b>S.Blvd @ 35th St</b>	NORTH	0	0	N/A	N/A	30	20	86	B					86	B	
	EAST	0	0	N/A	N/A	0	0	N/A	N/A					N/A	N/A	
	SOUTH	0	0	N/A	N/A	0	0	N/A	N/A					N/A	N/A	
	WEST	0	0	N/A	N/A	37	20	38	C					38	C	
<b>S.Blvd @ 36th St</b>	NORTH	0	0	N/A	N/A	30	20	323	A					323	A	
	EAST	0	0	N/A	N/A	0	0	N/A	N/A					N/A	N/A	
	SOUTH	0	0	N/A	N/A	30	20	51	B					51	B	
	WEST	0	0	N/A	N/A	35	20	365	A					365	A	
<b>S.Blvd @ 37th St</b>	NORTH	0	0	N/A	N/A	30	20	363	A					363	A	
	EAST	0	0	N/A	N/A	0	0	N/A	N/A					N/A	N/A	
	SOUTH	0	0	N/A	N/A	30	20	887	A					887	A	
	WEST	0	0	N/A	N/A	36	20	298	A					298	A	

## Appendix S.5.5

### Pedestrian Improvement Analysis - Crosswalk Level of Service

#### 2025 Future Conditions (SUN)

Intersection	Crosswalk Location	2025 Future without the Proposed Action				2025 Future with the Proposed Action					2025 Future with the Proposed Action (Improvement)					
		Crosswalk length (Curb-to-Curb)	Crosswalk width	Pedestrian Space (s.f./ped.)	Surge Level of Service	Crosswalk length (Curb-to-Curb)	Crosswalk width	Pedestrian Space (s.f./ped.)	Surge Level of Service	Impact?	Proposed Crosswalk length	Proposed Crosswalk width	Signal Timing	Pedestrian Space (s.f./ped.)	Surge Level of Service	Still Impact?
<b>Twelfth Ave @ 30th St</b>	NORTH	0	0	N/A	N/A	0	0	N/A	N/A					N/A	N/A	
	EAST	33	19	1336	A	33	19	1336	A					1336	A	
	SOUTH	110	15	6015	A	110	15	6015	A					6015	A	
	WEST	0	0	N/A	N/A	0	0	N/A	N/A					N/A	N/A	
<b>Twelfth Ave @ 34th St</b>	NORTH	0	0	N/A	N/A	0	0	N/A	N/A				31	N/A	N/A	
	EAST	60	14	1238	A	60	14	16	D			20	53	21	D	
	SOUTH	120	15	110	B	120	15	11	E	Yes		17	31	127	B	
	WEST	0	0	N/A	N/A	0	0	N/A	N/A				53	N/A	N/A	
<b>Eleventh Ave @ 30th St</b>	NORTH	70	11	481	A	70	11	19	D			39		66	B	
	EAST	34	13	263	A	34	13	30	C			20		46	B	
	SOUTH	70	11	3370	A	70	11	98	B			17		152	A	
	WEST	34	13	346	A	34	13	13	E	Yes		20		20	D	
<b>Eleventh Ave @ 33rd St</b>	NORTH	70	11	2765	A	70	11	14	E	Yes		17		22	D	
	EAST	34	13	224	A	34	13	20	D			20		31	C	
	SOUTH	70	11	4147	A	70	11	3	F	Yes		39		12	E	Yes
	WEST	36	13	1831	A	0	0	N/A	N/A					N/A	N/A	
<b>Eleventh Ave @ 34th St</b>	NORTH	73	18	136	A	73	18	25	C			20	30	31	C	
	EAST	59	12	172	A	59	12	9	E	Yes		20	30	10	E	Yes
	SOUTH	71	18	177	A	71	18	7	E	Yes		20	30	9	E	Yes
	WEST	60	13	217	A	60	13	11	E	Yes		20	30	11	E	Yes
<b>Eleventh Ave @ 39th St</b>	NORTH	73	10	764	A	73	10	135	A			17	50	304	A	
	EAST	33	11	2121	A	33	11	14	E	Yes		20	30	19	D	
	SOUTH	76	12	103	B	76	12	56	B			17	50	105	B	
	WEST	36	13	386	A	0	0	N/A	N/A				30	N/A	N/A	
<b>Eleventh Ave @ 42nd St</b>	NORTH	70	15	51	B	70	15	46	B			17	40	57	B	
	EAST	69	13	250	A	69	13	30	C			20	28	41	B	
	SOUTH	71	15	61	B	71	15	25	C			17	40	31	C	
	WEST	68	14	165	A	68	14	65	B			20	28	85	B	
<b>Tenth Ave @ 30th St</b>	NORTH	71	14	122	B	71	14	23	D			39		65	B	
	EAST	35	16	150	A	35	16	70	B			20		88	B	
	SOUTH	74	13	248	A	74	13	96	B			17		125	B	
	WEST	35	18	89	B	35	18	29	C			20		32	C	
<b>Tenth Ave @ 31st St</b>	NORTH	70	13	521	A	70	13	16	D			17		21	D	
	EAST	34	12	91	B	34	12	17	D			20	30	20	D	
	SOUTH	70	11	4411	A	70	11	76	B			17		118	B	
	WEST	0	0	N/A	N/A	0	0	N/A	N/A				30	N/A	N/A	
<b>Tenth Ave @ 33rd St</b>	NORTH	69	12	168	A	69	12	26	C			17		37	C	
	EAST	32	14	152	A	32	14	27	C			20		38	C	
	SOUTH	71	11	89	B	71	11	2	F	Yes		39		8	E	Yes
	WEST	35	13	102	B	35	13	17	D			20		26	C	
<b>Tenth Ave @ 34th St</b>	NORTH	69	18	111	B	69	18	52	B					52	B	
	EAST	59	13	251	A	59	13	47	B			20		72	B	
	SOUTH	68	18	183	A	68	18	41	B					41	B	
	WEST	59	13	286	A	59	13	32	C			20		50	B	

## Appendix S.5.5

### Pedestrian Improvement Analysis - Crosswalk Level of Service

#### 2025 Future Conditions (SUN)

Intersection	Crosswalk Location	2025 Future without the Proposed Action				2025 Future with the Proposed Action					2025 Future with the Proposed Action (Improvement)					
		Crosswalk length (Curb-to-Curb)	Crosswalk width	Pedestrian Space (s.f./ped.)	Surge Level of Service	Crosswalk length (Curb-to-Curb)	Crosswalk width	Pedestrian Space (s.f./ped.)	Surge Level of Service	Impact?	Proposed Crosswalk length	Proposed Crosswalk width	Signal Timing	Pedestrian Space (s.f./ped.)	Surge Level of Service	Still Impact?
<b>Ninth Ave @ 30th St</b>	NORTH	69.3	11.7	89	B	69.3	11.7	36	C			17		52	B	
	EAST	35.5	14.3	45	B	35.5	14.3	20	D			20		29	C	
	SOUTH	63	15.1	91	B	63	15.1	48	B			17		54	B	
	WEST	97.6	14.5	119	B	97.6	14.5	42	B			20		58	B	
<b>Ninth Ave @ 31st St</b>	NORTH	73	24	112	B	73	24	28	C					28	C	
	EAST	32	24	47	B	32	24	32	C					32	C	
	SOUTH	67.2	14	143	A	67.2	14	51	B			17		62	B	
	WEST	35.5	13	122	B	35.5	13	14	E	Yes		20		22	D	
<b>Ninth Ave @ 33rd St</b>	NORTH	68	12.5	96	B	68	12.5	20	D			17		27	C	
	EAST	35.2	24	46	B	35.2	24	16	D					16	D	
	SOUTH	68.4	24	68	B	68.4	24	8	E	Yes		46		16	D	
	WEST	32.5	13.5	70	B	32.5	13.5	6	E	Yes		20		9	E	Yes
<b>Ninth Ave @ 34th St</b>	NORTH	69.3	20	66	B	69.3	20	39	C				30	41	B	
	EAST	51.7	15	36	C	51.7	15	21	D			20	30	25	C	
	SOUTH	66.9	20	77	B	66.9	20	26	C				30	27	C	
	WEST	60.5	15	198	A	60.5	15	19	D			20	30	23	D	
<b>Eighth Ave @ 30th St</b>	NORTH	69.2	12	152	A	69.2	12	59	B					59	B	
	EAST	31.3	12.6	39	C	31.3	12.6	19	D			20		31	C	
	SOUTH	70.1	11.5	206	A	70.1	11.5	74	B					74	B	
	WEST	32.9	12.5	37	C	32.9	12.5	29	C			20		47	B	
<b>Eighth Ave @ 31st St</b>	NORTH	70	24	98	B	70	24	50	B					50	B	
	EAST	42	14.5	40	B	42	14.5	21	D			20		29	C	
	SOUTH	70	14.5	135	A	70	14.5	69	B					69	B	
	WEST	34	24	57	B	34	24	47	B					47	B	
<b>Eighth Ave @ 33rd St</b>	NORTH	66.4	14.5	45	B	66.4	14.5	24	C			17	30	25	C	
	EAST	31.7	20	21	D	31.7	20	14	E	Yes			30	12	E	Yes
	SOUTH	70.2	24	47	B	70.2	24	35	C			46	30	58	B	
	WEST	32.5	24	22	D	32.5	24	20	D				30	17	D	
<b>Eighth Ave @ 34th St</b>	NORTH	66.8	20	36	C	66.8	20	32	C				30	28	C	
	EAST	53.5	13	29	C	53.5	13	20	D			20	30	26	C	
	SOUTH	67.7	20	32	C	67.7	20	22	D				30	19	D	
	WEST	54.3	13	21	D	54.3	13	18	D			20	30	25	C	
<b>Sixth Ave @ 34th St</b>	NORTH	156	21	38	C	156	21	37	C				28	37	C	
	EAST	54	15	19	D	54	15	18	D			20	52	24	C	
	SOUTH	116	21	25	C	116	21	25	C				28	25	C	
	WEST	0	0	N/A	N/A	0	0	N/A	N/A				52	N/A	N/A	
<b>Broadway @ 34th St</b>	NORTH	156	21	37	C	156	21	36	C				28	37	C	
	EAST	0	0	N/A	N/A	0	0	N/A	N/A				52	N/A	N/A	
	SOUTH	116	21	39	C	116	21	37	C				28	38	C	
	WEST	54	28	47	B	54	28	45	B				52	44	B	
<b>Blvd @ 33rd St</b>	NORTH	0	0	N/A	N/A	30	25	18	D				45	18	D	
	EAST	0	0	N/A	N/A	35	20	19	D				45	19	D	
	SOUTH	0	0	N/A	N/A	0	0	N/A	N/A					N/A	N/A	
	WEST	0	0	N/A	N/A	35	20	22	D				45	22	D	

## Appendix S.5.5

### Pedestrian Improvement Analysis - Crosswalk Level of Service

#### 2025 Future Conditions (SUN)

Intersection	Crosswalk Location	2025 Future without the Proposed Action				2025 Future with the Proposed Action					2025 Future with the Proposed Action (Improvement)					
		Crosswalk length (Curb-to-Curb)	Crosswalk width	Pedestrian Space (s.f./ped.)	Surge Level of Service	Crosswalk length (Curb-to-Curb)	Crosswalk width	Pedestrian Space (s.f./ped.)	Surge Level of Service	Impact?	Proposed Crosswalk length	Proposed Crosswalk width	Signal Timing	Pedestrian Space (s.f./ped.)	Surge Level of Service	Still Impact?
<b>Blvd @ 34th St</b>	NORTH	0	0	N/A	N/A	30	20	23	D					23	D	
	EAST	0	0	N/A	N/A	59	20	65	B					65	B	
	SOUTH	0	0	N/A	N/A	30	20	27	C					27	C	
	WEST	0	0	N/A	N/A	59	20	55	B					55	B	
<b>N.Blvd @ 35th St</b>	NORTH	0	0	N/A	N/A	30	20	39	C					39	C	
	EAST	0	0	N/A	N/A	34	20	37	C					37	C	
	SOUTH	0	0	N/A	N/A	30	20	24	C					24	C	
	WEST	0	0	N/A	N/A	0	0	N/A	N/A					N/A	N/A	
<b>N.Blvd @ 36th St</b>	NORTH	0	0	N/A	N/A	30	20	57	B					57	B	
	EAST	0	0	N/A	N/A	36	20	46	B					46	B	
	SOUTH	0	0	N/A	N/A	30	20	33	C					33	C	
	WEST	0	0	N/A	N/A	0	0	N/A	N/A					N/A	N/A	
<b>N.Blvd @ 37th St</b>	NORTH	0	0	N/A	N/A	30	20	41	B					41	B	
	EAST	0	0	N/A	N/A	36	20	44	B					44	B	
	SOUTH	0	0	N/A	N/A	30	20	72	B					72	B	
	WEST	0	0	N/A	N/A	0	0	N/A	N/A					N/A	N/A	
<b>Blvd @ 38th St</b>	NORTH	0	0	N/A	N/A	36	20	66	B					66	B	
	EAST	0	0	N/A	N/A	36	20	44	B					44	B	
	SOUTH	0	0	N/A	N/A	30	20	61	B					61	B	
	WEST	0	0	N/A	N/A	36	20	42	B					42	B	
<b>S.Blvd @ 35th St</b>	NORTH	0	0	N/A	N/A	30	20	33	C					33	C	
	EAST	0	0	N/A	N/A	0	0	N/A	N/A					N/A	N/A	
	SOUTH	0	0	N/A	N/A	0	0	N/A	N/A					N/A	N/A	
	WEST	0	0	N/A	N/A	37	20	40	B					40	B	
<b>S.Blvd @ 36th St</b>	NORTH	0	0	N/A	N/A	30	20	49	B					49	B	
	EAST	0	0	N/A	N/A	0	0	N/A	N/A					N/A	N/A	
	SOUTH	0	0	N/A	N/A	30	20	28	C					28	C	
	WEST	0	0	N/A	N/A	35	20	51	B					51	B	
<b>S.Blvd @ 37th St</b>	NORTH	0	0	N/A	N/A	30	20	41	B					41	B	
	EAST	0	0	N/A	N/A	0	0	N/A	N/A					N/A	N/A	
	SOUTH	0	0	N/A	N/A	30	20	72	B					72	B	
	WEST	0	0	N/A	N/A	36	20	47	B					47	B	