



## Report of Materials and Equipment Acceptance Division

NYC Department of Buildings  
280 Broadway, New York, NY 10007  
Patricia Lancaster, FAIA, Commissioner  
(212) 566-5000, TTY: (212) 566-4769

Pursuant to Administrative Code Section 27-131, the following equipment or material has been found acceptable for use subject to the terms and conditions contained herein.

### **MEA 108-94-S-4**

**Manufacturer:** A/D FIRE PROTECTION SYSTEMS

**Trade Name(s):** A/D FIREFILM<sup>®</sup> III and A/D COLORCOAT<sup>®</sup>

**Product:** Thin-film Intumescent sprayed fire resistive system for protection of floor assemblies

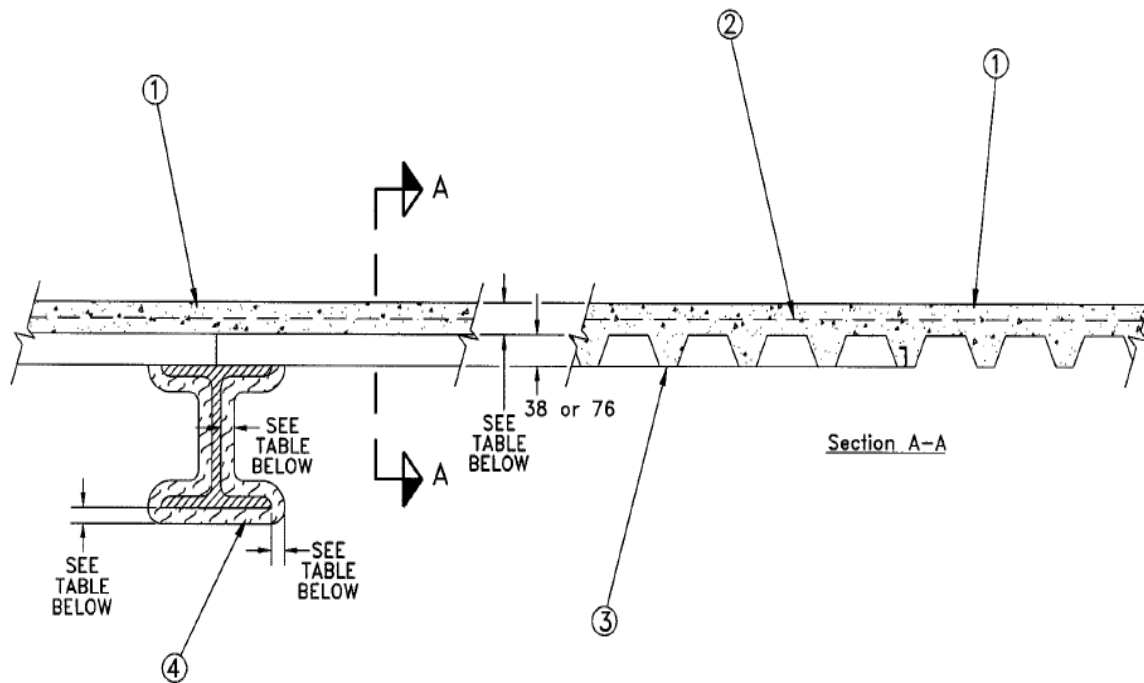
**Pertinent Code Section(s):** 27-323, 27-324, 27-133

**Prescribed Test(s):** RS 5-2 (ASTM E119)

**Laboratory:** Underwriters Laboratories of Canada

**Test Report(s):** August 26, 1993, CR1698, February 12, 1998, CR1698, 21822 and May 4, 1999, CR1698, 26103, April 30, 2002 CR1698, R20543, 29171, 02NK08232, and January 31, 2006, CR1698, R20543.

**Description** – Floor protection assemblies, as per Fire Resistive Designs listed below utilizing A/D FIREFILM III Intumescent fire protection material, applied to the required thicknesses following the manufacturer’s instructions, for the fire resistance ratings of 3/4, 1, 1-1/2, or 2 hours and in accordance with Underwriter’s Laboratories of Canada and Underwriters Laboratories, Inc. Design Numbers listed below:



ULC Design Numbers:

F906 for Fire Resistance Ratings of 3/4, 1, 1-1/2, 2 and 3 hours.

F910 for Fire Resistance Ratings of 1, 1-1/2 and 2 hours.

F912 for Fire Resistance Ratings of 1-1/2 and 2 hours.

ULI Design Numbers:

D941 for Fire Resistance Ratings of 1-1/2 and 2 hours.

**Terms and Conditions:** That the above described floor protection assemblies be accepted for Class I and Class II Buildings only, as having the fire resistance ratings given above, when members supporting floors have at least the same fire resistance rating, provided the following requirements for application and protection of the Intumescent coating fireproofing be adhered to:

1. Where used in Class I Buildings, subject material shall be used for fireproofing of selected structural members and be limited to 20% of all structural members on any one floor and a maximum of 20% of the gross area of all structural members in the entire building.
2. Where used for protection of floor, ceiling and/or assemblies in roof/ceiling Class I in fireproofing buildings each such beam shall bear an identifying tag. Subject tag shall be of metal construction mechanically attached to such beams and shall state the following: this beam has been fireproofed with MEA approved A/D FIREFILM III finish and such finish shall not be removed nor any subsequent coating shall be applied other than A/D FIREFILM III.
3. Surfaces to receive Intumescent coating shall be cleaned off prior to the application of the fireproofing.
4. The finished fireproofing shall be applied to a uniform thickness, which shall not be less than the minimum thickness specified.
5. The general contractor and the owner shall provide qualified personnel to supervise the application of the sprayed fire resistive material. They shall certify to the Department of Buildings that the finished fireproofing of the completed building is in full compliance with the acceptance requirements and drawings approved by the Department of Buildings.
6. The installation of the sprayed fire resistive materials shall be subject to the controlled inspection requirements of Section 27-132.

7. The use of this material shall be subject to all pertinent regulations of the Department of Air Resources and the Department of Health.
8. All installation shall comply with 118-68 GR, the New York City Building Code, the Fire Department Directives, the manufacturer's instructions and laboratory recommendation.
9. All shipments and deliveries of the materials comprising this assembly shall be accompanied by a certificate or label certifying that the materials shipped or delivered are equivalent to those tested and acceptable for use, as provided for in Section 27-131 of the Building Code.

**NOTE:** In accordance with section 27-131(d), all materials tested and accepted for use shall be subject to periodic retesting as determined by the commissioner; and any material which upon retesting is found not to comply with code requirements or the requirements set forth in the approval of the commissioner shall cease to be acceptable for the use intended. During the period for such retesting, the commissioner may require the use of such material to be restricted or discontinued if necessary to secure safety.

Final Acceptance June 30, 2006

Examined By Siun Dorkhutan