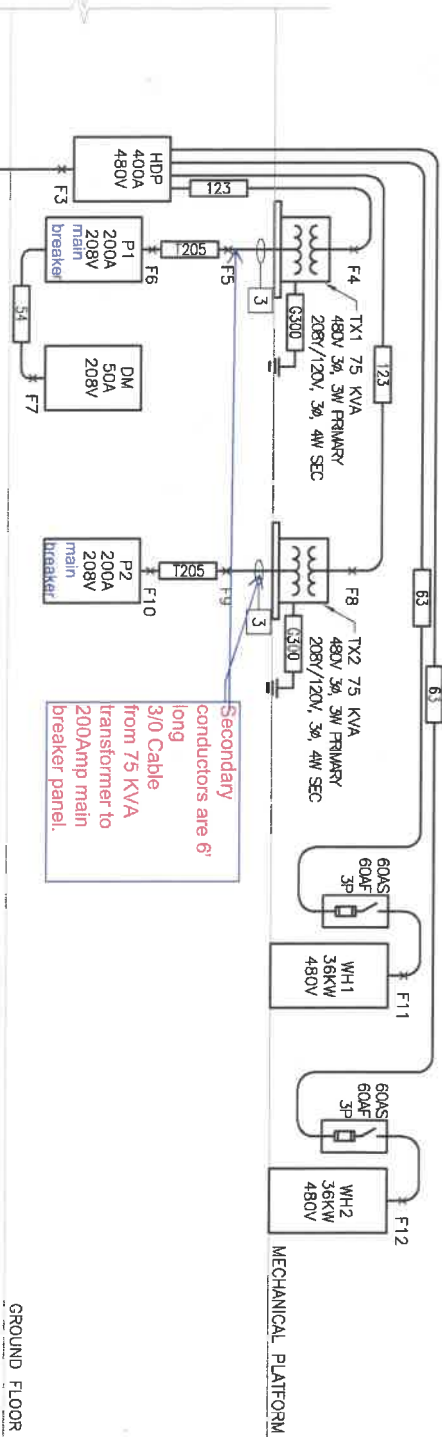
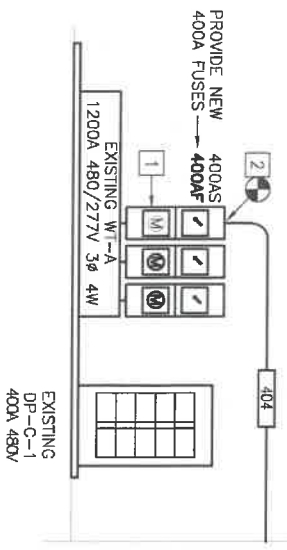


CIRCUIT SCHEDULE:

ALL CONDUCTOR SIZES ARE BASED ON 75 DEG C RATED TERMINATIONS. COPPER CONDUCTORS ARE BASED ON THHN/THWN-2 INSULATION, ALUMINUM CONDUCTORS (PREFIX "A") ARE BASED ON XHHW-2 INSULATION. FOR ANY OTHER CONDITIONS ALLOWED PER SPECIFICATIONS, OR FOR TERMINATIONS OR INSULATION TYPES RATED LESS THAN 75 DEG C, MODIFY SIZES ACCORDING TO NFPA 70.

- 54 50A, (4)#8, (1)#10G, 3/4" C
- 63 80A, (3)#6, (1)#10G, 1" C
- 123 125A, (3)#1, (1)#6G, 1-1/2" C
- 404 400A, (1) 4" C, W/ (4)600kcmil, (1)#2G
- 6300 GND, #2 COPPER GROUND, 3/4" C
- 1205 200A, (4)#3/0, (1)#4G, (1)#4 IG, 2" C



Secondary conductors are 6' long 3/0 Cable from 75 KVA transformer to 200Amp main breaker panel.

1 ELECTRICAL RISER DIAGRAM
NO SCALE