

# JP201D/C

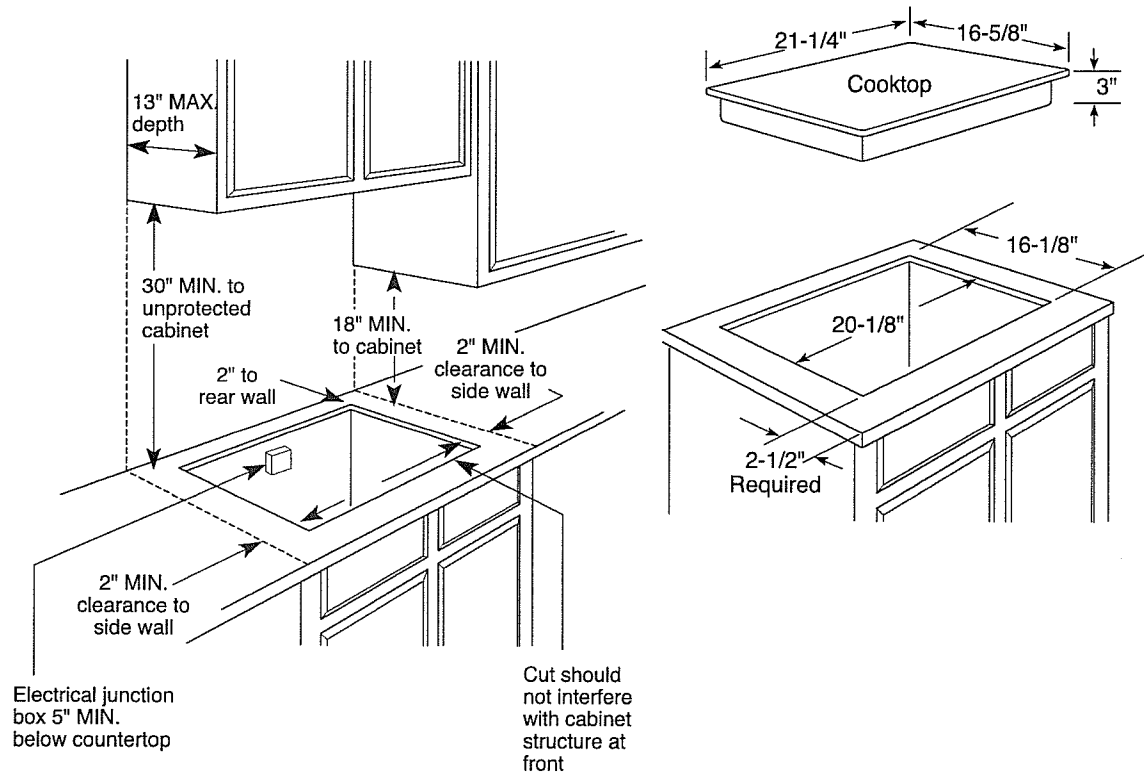
## GE® Built-In Electric Cooktop

### DIMENSIONS AND INSTALLATION INFORMATION (IN INCHES)

KW RATING	
240V	3.4
208V	2.5

**NOTE:** Built-In Electric Cooktops require 1-1/2" free area between the bottom of the cooktop and any combustible material, i.e., shelving. Requires an 18" minimum from cooktop to adjacent overhead cabinets. Units are furnished with a 48" flexible armored cable.

**INSTALLATION INFORMATION:** Before installing, consult installation instructions [Pub. No. 31-0978] packed with product for current dimensional data.



For answers to your Monogram, GE Café™ Series, GE Profile™ Series or GE Appliances product questions, visit our website at [geappliances.com](http://geappliances.com) or call GE Answer Center® Service, 800.626.2000.

# JP201D/C

## GE® Built-In Electric Cooktop

### FEATURES AND BENEFITS

Compact Cooktop – Smaller cooktop is ideal for 21" cooktop installations

One 6" and One 8" Coil Heating Elements – Provide consistent and even heat on the cooktop with plug-in elements that are removable for easy cleaning

Chrome Drip Bowls – Contain minor spills and are removable for easy cleaning

Heating Element "On" Light – Illuminates when the cooking surface is activated

Model JP202DWW – White

Model JP201CBSS – Stainless steel

