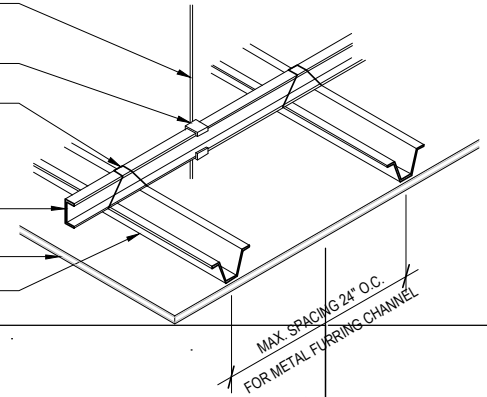
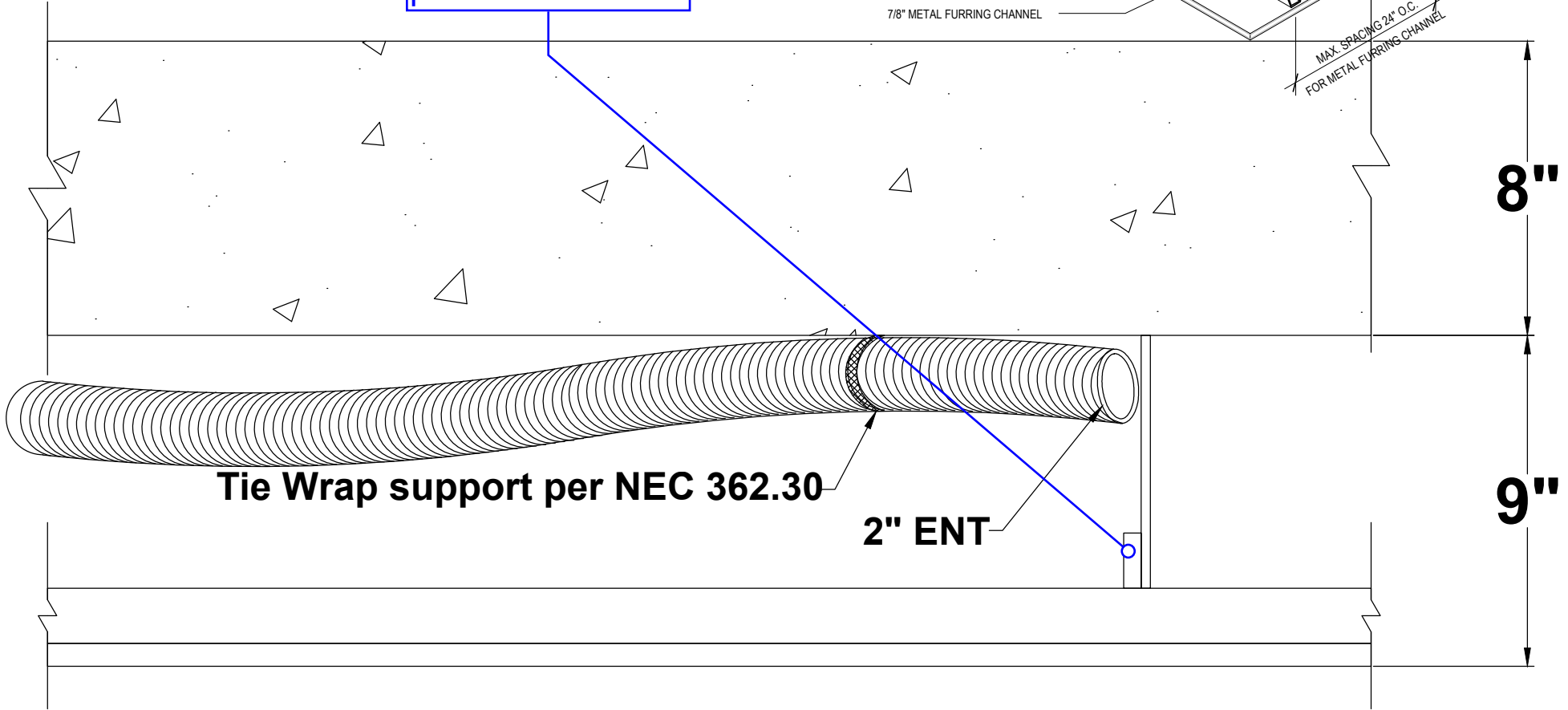


1/4" DIA. GALV. STEEL ROD OR
1/8" X 1" ASPHALT PAINTED FLAT
STRAP HANGER, 4'-6" O.C. MAX.
SUPPORT CLIP
GALVANIZED WIRE SPRING CLIP

1/2" 16 GA C.R. CHANNEL
.475# @ 4'-0" O.C. MAX.
1 LAYER 5/8" GWB
7/8" METAL FURRING CHANNEL



Ceiling Detail As
per A-802 Detail 4



Tie Wrap support per NEC 362.30

2" ENT

8"

9"