

8-0129-03

REVISIONS

23

S. PARASHER 2/25/97
ADDED CUSTOMER CABLES SIZES COPPER #3, #3/0, AND 350 KCMIL. ADDED NOTE 7 FOR DUCT SEALING. MADE CONDUIT ON CUSTOMER'S PROPERTY AS NON P.V.C. J.L. 2-25-97

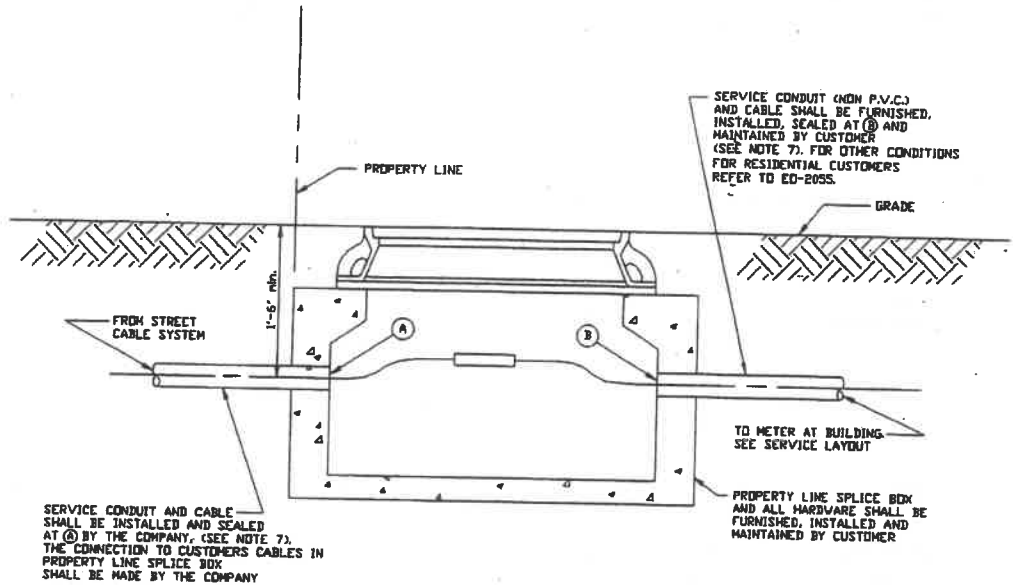


Table with 5 columns: PROPERTY LINE SPLICE BOX (PRECAST) DIMENSIONS, DWG NO. (SEE NOTE 1), COMPANY (COPPER), CUSTOMER (COPPER, ALUMINUM), and CABLE ARRANGEMENT DWG. NO.

DIMENSIONS 8'-6" X 4'-6" X 6'-0" DWG. NO. ED-11031-B (FIELD CONSTR.) ED-11652-B (PRECAST)

- NOTES: 1. THE CUSTOMER SHALL SUBMIT ANY PROPOSED CHANGE OF PROPERTY LINE BOXES REFERRED TO IN THIS COLUMN FOR CON EDISON APPROVAL. 2a. FOR DIRECT-BURIED SPLICE REQUIREMENTS SEE ED-14221-C. 2b. THE FIRST SPLICE-BOX LISTED IS NOT REQUIRED IF DIRECT-BURIED CABLE AND DIRECT-BURIED SPLICES ARE USED. 3. THE CUSTOMER SHALL LEAVE SLACK ON HIS SERVICE CABLES EQUAL TO THE LENGTH OF THE PROPERTY LINE BOX IN THE FIRST 3 SPLICE BOXES. 4. THE CUSTOMER SHALL PROVIDE A SUITABLE TERMINATING DEVICE AND CONNECT HIS CABLES TO IT AS PER ED-5403, UNDER ANY OF THE FOLLOWING CONDITIONS: a. WHERE CABLES OF A SIZE OTHER THAN THOSE LISTED ARE USED. b. WHERE THERE WILL BE 3 OR MORE SETS OF CUSTOMER CABLES OUT OF A PROPERTY LINE BOX. 5. CON EDISON WILL MAKE FINAL CONNECTIONS OF CON EDISON CABLES TO THE CUSTOMERS TERMINATION DEVICE OR CABLES. 6. THE 18-6 HANDLE SHALL BE USED ONLY WITH CON EDISON APPROVAL FOR SPECIAL APPLICATIONS. CAPACITIES AND DRAWINGS ARE SAME AS MI-6. 7. THIS SPECIFICATION IS NOT TO BE USED FOR 460 VOLT SERVICES. 8. REFER TO SPECIFICATIONS ED-1100 AND ED-6217-C FOR DUCT SEALING. 9. REFER TO SPECIFICATION ED-2055, A.C. SERVICES.

Table with 2 columns: COPPER and ALUMINUM EQUIVALENT. Lists various cable sizes and their equivalents.

FIELD MANUALS: NO. 1, SUPERVISORS SPlicing; NO. 4, SERV. INSTALL. SECT. 1, SERV. UNDERGROUND; NO. 11, SUBWAY CONSTR. SECT. 3, SUB-SECT. BOXES, SPLICE; NO. 16, SERV. INSPECT. & CONTROL SECT. 4, ELECTRIC SERV.; NO. 17, SURVEY. SECT. 3, SUB-SECT. BOXES, SPLICE; NO. 22, U.R.D. SECT. 2 CABLES. CONSTRUCTION STDS. MANUAL NO. 3 SECTION NO. 36 SERVICES. UNDERGROUND. MAILING LIST 1

PROPERTY LINE SPLICE BOX REQUIREMENTS FOR BUILDING BACK OF PROPERTY LINE. CONSOLIDATED EDISON COMPANY OF N. Y. INC. DISTRIBUTION ENGINEERING DEPARTMENT. DATE 3/24/83 LAST REV. 2/25/97 DWG. NO. ED-6210-B/23

COMPUTER GENERATED DRAWING NOT TO BE HAND REVISED

Table with columns: DIV, SIGNATURE, DATE, CHECKED BY, DATE, PREPARED BY, DATE. Includes fields for APPROVED, CHECKED, and DATE.

0-8079-03

REVISIONS

S. PARASHER 9-29-95 13
 REDRAWN TO AUTOCAD.
 ADDED COPPER SIZES #3, 3/0 & 350kcmil FOR CUSTOMER.
 ADDED BOX 12"X12"X8" FOR 2/0 CU. FOR COMPANY
 ADDED NOTES E & F. CHANGED TABLE I & II V.D. 9-19-95

S. PARASHER 2/15/98 14
 ADDED BONDING OF METALLIC CONDUIT WITH END BOX DELETED NOTE B FROM EO-9225-B, EO-9072-B, AND EO-9073-B V.D. 2-15-96

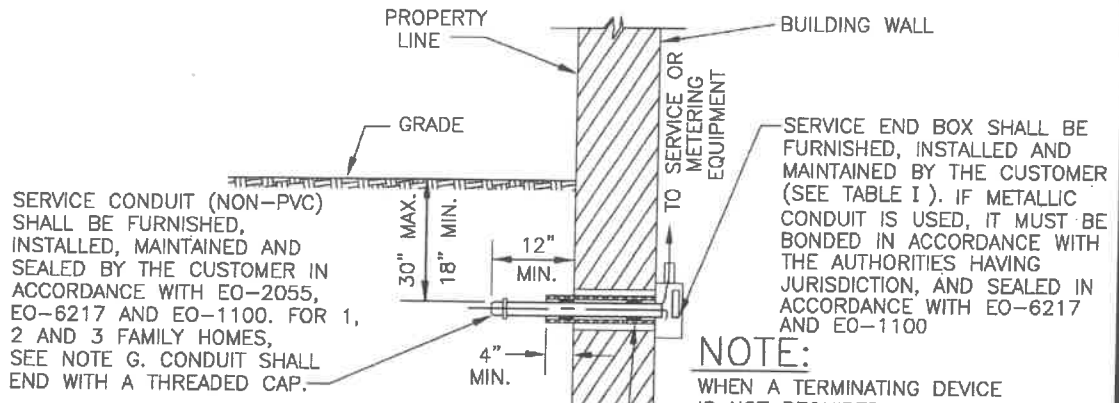
S. PARASHER 5-29-97 15
 CHANGED TABLE I MADE 12"X12"X8" BOX FOR INDOOR USE ONLY. H.J.M. 5-29-97

S. PARASHER 2-23-01 16
 CHANGED TABLE I AND NOTE A. PROJECT#69970-SE-ZC H.J.M. 2-23-01

GEORGE MURRAY 5-5-04 17
 INCREASE PIPE EXTENSION FROM WALL, ADDED NOTE G, AND CONDUIT SEALING. J.L. 5-4-04

FIELD MANUALS NO. 1: SUPV. SPLICING.
 NO. 9: SECOND. SECT. 9: SECOND. NO. 4: SERV. INSTL.
 NO. 1: SERV. UNGRND.
 NO. 16: SERV. INSP. & CTRL.
 NO. 4: ELEC. SERV.
 NO. 22: URD. SECT. 2: CABLES

CONSTRUCTION STD'S. MANUAL NO. 3 SECTION NO. 36 SERVICES: UNDERGROUND



SERVICE CONDUIT (NON-PVC) SHALL BE FURNISHED, INSTALLED, MAINTAINED AND SEALED BY THE CUSTOMER IN ACCORDANCE WITH EO-2055, EO-6217 AND EO-1100. FOR 1, 2 AND 3 FAMILY HOMES, SEE NOTE G. CONDUIT SHALL END WITH A THREADED CAP.

STEEL PIPE SLEEVE AND CONDUIT SHALL BE FURNISHED AND GROUTED IN PLACE AND WATERPROOFED BY THE CUSTOMER IN ACCORDANCE WITH DWG. EO-6217-C.

NOTE:
 WHEN A TERMINATING DEVICE IS NOT REQUIRED, THE CUSTOMER SHALL LEAVE 2'-0" SLACK ON HIS SERVICE CABLES. THE COMPANY SHALL CONNECT ITS CABLES TO THE CUSTOMER'S CABLES.

SIZE OF SERVICE END BOX		MAXIMUM NO. AND SIZE OF SETS COMPANY AND CUSTOMER CABLES		
INSIDE DIMENSIONS	DWG. NO. OR APPROVED EQUAL	COMPANY	CUSTOMER	
		COPPER (AWG OR kcmil)	COPPER (AWG OR kcmil)	ALUMINUM (AWG OR kcmil)
10"X 10"X 5"	SEE NOTE C	1-4-#2 TO 1-4-#2/0	1-4-#2 TO 1-4-#2/0	1-4-#1/0 TO 1-4-#4/0
12"X 12"X 8"	SEE NOTE C FOR INDOOR USE ONLY	1-4-#2/0	1-4-#2/0 TO 1-4-#3/0	1-4-#4/0
24"X 12"X 8"	SEE NOTE C	1-4-#4/0	1-8-#4/0 OR 2-4-#4/0 1-8-#3/0 OR 2-4-#3/0	1-4-350 kcmil OR 2-4-350 kcmil
		1-4-#2/0	1-4-#3/0 OR 2-4-#3/0	1-4-#4/0 OR 2-4-#4/0
30"X 18"X 12"	SEE NOTE C	1-4-500kcmil	1-4-500kcmil OR 2-4-500kcmil	---
		1-4-#4/0	1-4-350kcmil OR 2-4-350kcmil	---
SEE DWG.	EO-9525-B	1-4-500kcmil 1-8-#4/0	---	---
SEE DWG.	EO-9072-B	2-4-500kcmil 2-8-#4/0	SEE NOTE B	SEE NOTE B
SEE DWG.	EO-9073-B	3-4-500kcmil 3-8-#4/0	---	---

TABLE I

- NOTES:**
- A) THE SPECIFIED TYPES OF CONNECTORS AND METHOD OF CONNECTION ARE GIVEN IN SPEC. EO-5403. FOR NEW SERVICES, DO NOT USE SPLIT BOLT CONNECTORS, INSTEAD USE COMPRESSION CONNECTORS.
 - B) THE CUSTOMER SHALL PROVIDE AND CONNECT HIS SERVICE CABLES TO A SUITABLE TERMINATING DEVICE UNDER ANY OF THE FOLLOWING CONDITIONS:
 - (1) WHEN CABLES OTHER THAN THOSE LISTED ARE USED.
 - (2) WHERE THERE SHALL BE 3 OR MORE SETS OF CUSTOMER CABLES OUT OF A SERVICE END BOX.
 - C) MUST BE APPROVED TYPE--SEE TABLE I OF APPROVED ELECTRIC SERVICE EQUIPMENT BOOKLET OR DESIGNATED DRAWING.
 - D) THIS SPECIFICATION IS NOT TO BE USED FOR 460 VOLT SERVICES.
 - E) REFER TO SPECIFICATIONS EO-1100 AND EO-6217-C FOR DUCT SEALING.
 - F) REFER TO SPECIFICATION EO-2055 FOR A.C. SERVICES.
 - G) FOR SERVICES TO ALL ONE, TWO AND THREE FAMILY HOMES, A MINIMUM 3-#2 COPPER SERVICE CABLES SHALL BE INSTALLED IN A NON-PVC CONDUIT. MAINTENANCE OF THE SERVICE CABLE TO THE POINT OF TERMINATION AND THE SERVICE CONDUIT TO THE BUILDING'S EXTERIOR WALL SHALL BE THE COMPANY'S RESPONSIBILITY.

APPROVED SETS OF CABLES WITH 3 PHASES AND NEUTRAL OCCUPYING ONE DUCT (2 PHASE & NEUTRAL WHEN NEEDED)

COPPER (AWG OR kcmil)	ALUMINUM EQUIVALENT (AWG OR kcmil)
4- #6(3-#6)	4- #4(3-#4)
4- #3(3-#3)	4- #1/0(3-#1/0)
4- #2(3-#2)	4- #1/0(3-#1/0)
NONE	4- #3/0(3-#3/0)
4- #2/0(3-#2/0)	4- #4/0(3-#4/0)
4- 3/0(3-3/0)	4- 350(3-350)
4- #4/0(3-#4/0)	4- 350(3-350)
8- #4/0	8- 350
4- 350(3-350)	4- 500(3-500)
4- 500	8- 350

TABLE II

CUSTOMERS ELECTRIC SERVICE INSTALLATION BUILDINGS WITH BASEMENTS AT PROPERTY LINE INDOOR METERING

CONSOLIDATED EDISON COMPANY OF N.Y., INC.
 DISTRIBUTION ENGINEERING DEPT

DATE 3-24-53 DWG. NO. **EO-6208-C** REV.17
 LAST REV. 5-4-04