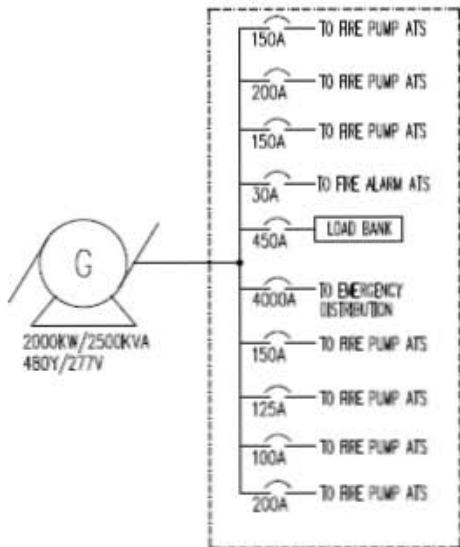
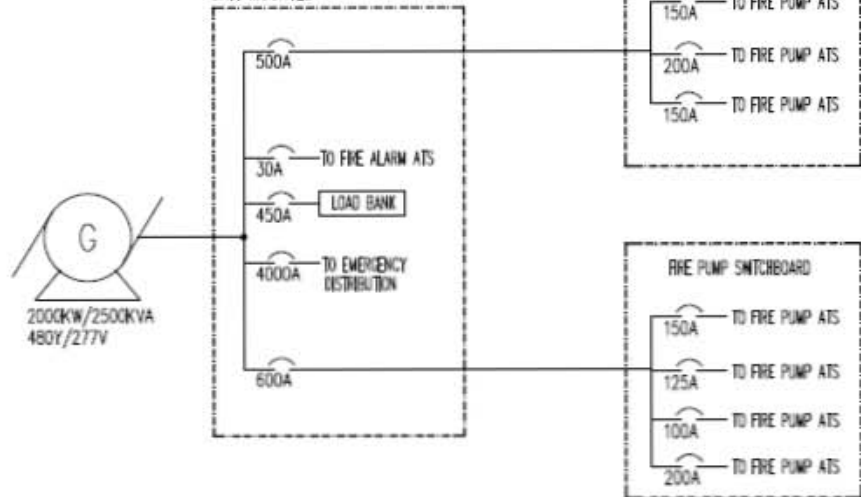


UNIT MOUNTED



OPTION A

UNIT MOUNTED



OPTION B