



NEW YORK CITY DEPARTMENT OF CORRECTION
Cynthia Brann, Commissioner
Ava B. Rice, Assistant Commissioner
Contracts and Procurement
Agency Chief Contracting Officer
75-20 Astoria Boulevard, Suite 160
East Elmhurst, NY 11370
Office: 718 546-0690
Fax: 718 278-6205

January 4, 2021

ADDENDUM # 4 to PIN 072202007CPD
RMSC METHANE DETECTION SYSTEM

Dear Prospective Bidder:

Pursuant to §3-02(i) of the Procurement Policy Board (PPB) Rules, the Department of Correction (DOC) is issuing Addendum # 4 to the solicitation for the services referenced above.

Please be advised of the following clarifications:

BID DUE DATE

- **PLEASE NOTE: The BID DUE DATE has been postponed to Thursday, January 21, 2021, at 11:00 AM.**
- **Please contact the Contract Manager, Alvis-Mae Brade-John, at Alvis-Mae.Brade-John@doc.nyc.gov by 3:00 PM January 20, 2021, if you would like to attend the bid opening, which will be held by video conference.**

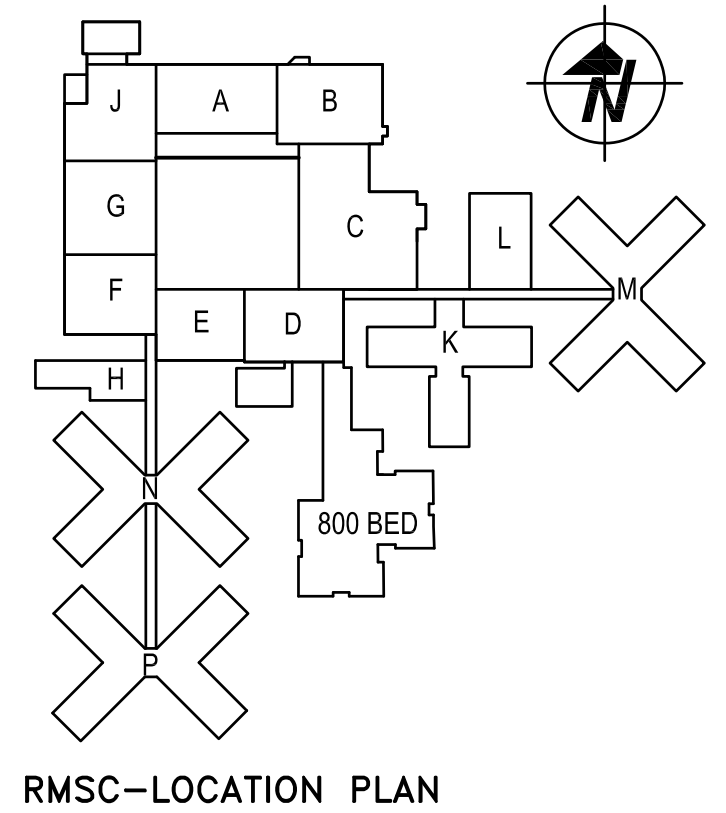
This Addendum includes revisions to the contract documents as generally outlined herein. For detailed revisions please review all the attached documents.

A. DESCRIPTION OF CHANGES:

- 1) The subject Addendum revisions are to include revisions to the contract documents to reflect scope of work as described herein.
- 2) All revisions to drawings are shown clouded with triangle number 2.

B. DRAWINGS CHANGES (ATTACHEMENT I):

- 1) X401.00 – Revised Methane Detection and Mitigation System Detail.



RMS-LOCATION PLAN

△	12/31/20	ADDENDUM 4
△	12/23/20	ADDENDUM 3
1	10/14/20	ISSUED FOR BID
No.	Date	Revision

NOTE: Drawing may be printed at reduced scale

IT IS A VIOLATION OF THE STATE EDUCATION LAW SECTION 7209 (2) FOR ANY PERSON TO ALTER AN ITEM IN ANY WAY UNLESS SUCH PERSON IS ACTING UNDER THE DIRECTION OF A LICENSED PROFESSIONAL ENGINEER, AND THE ENGINEER STAMPS SUCH CHANGES

DESIGNED BY:



Executive Director: HARDEE SAINI

Project Manager:

Project Engineer:

Drawn By:

Checked By:

PIN #: 072202007CPD

Date: .

Project:
RMS
METHANE MITIGATION AND DETECTION SYSTEM UPGRADE
19-19 HAZEN STREET, RIKERS ISLAND, EAST
ELMHURST, NEW YORK 11370

Address:

Drawing Title:

DETAIL SHEET
1 OF 2

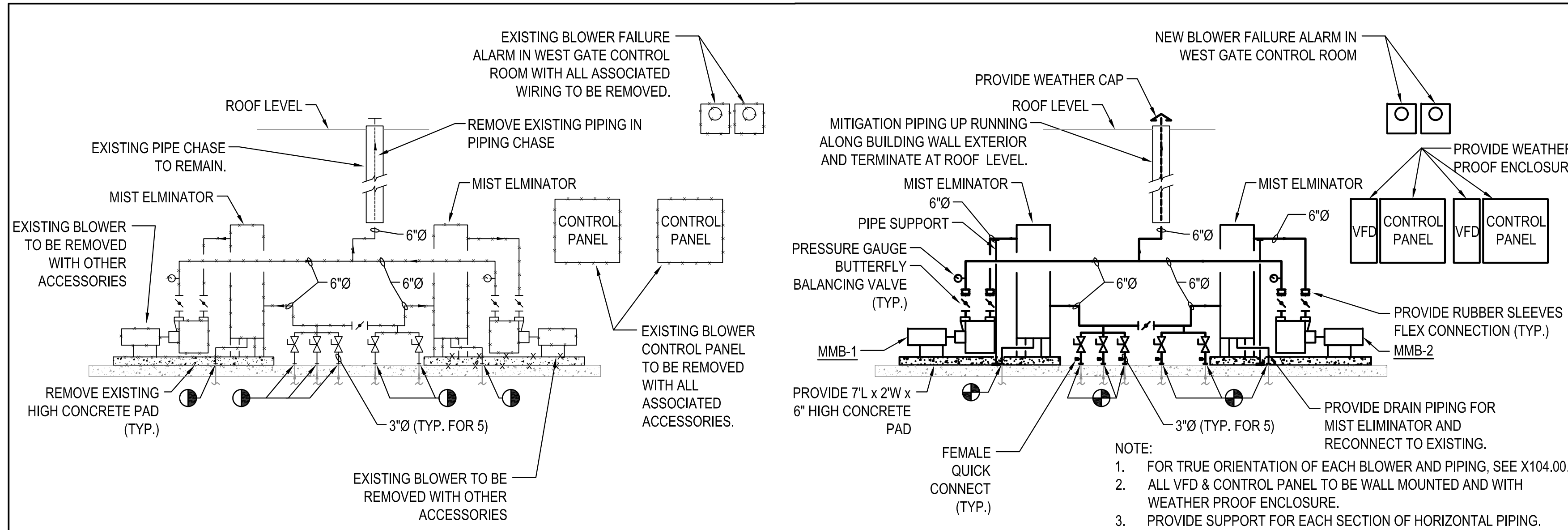
Seal:

Drawing No.:

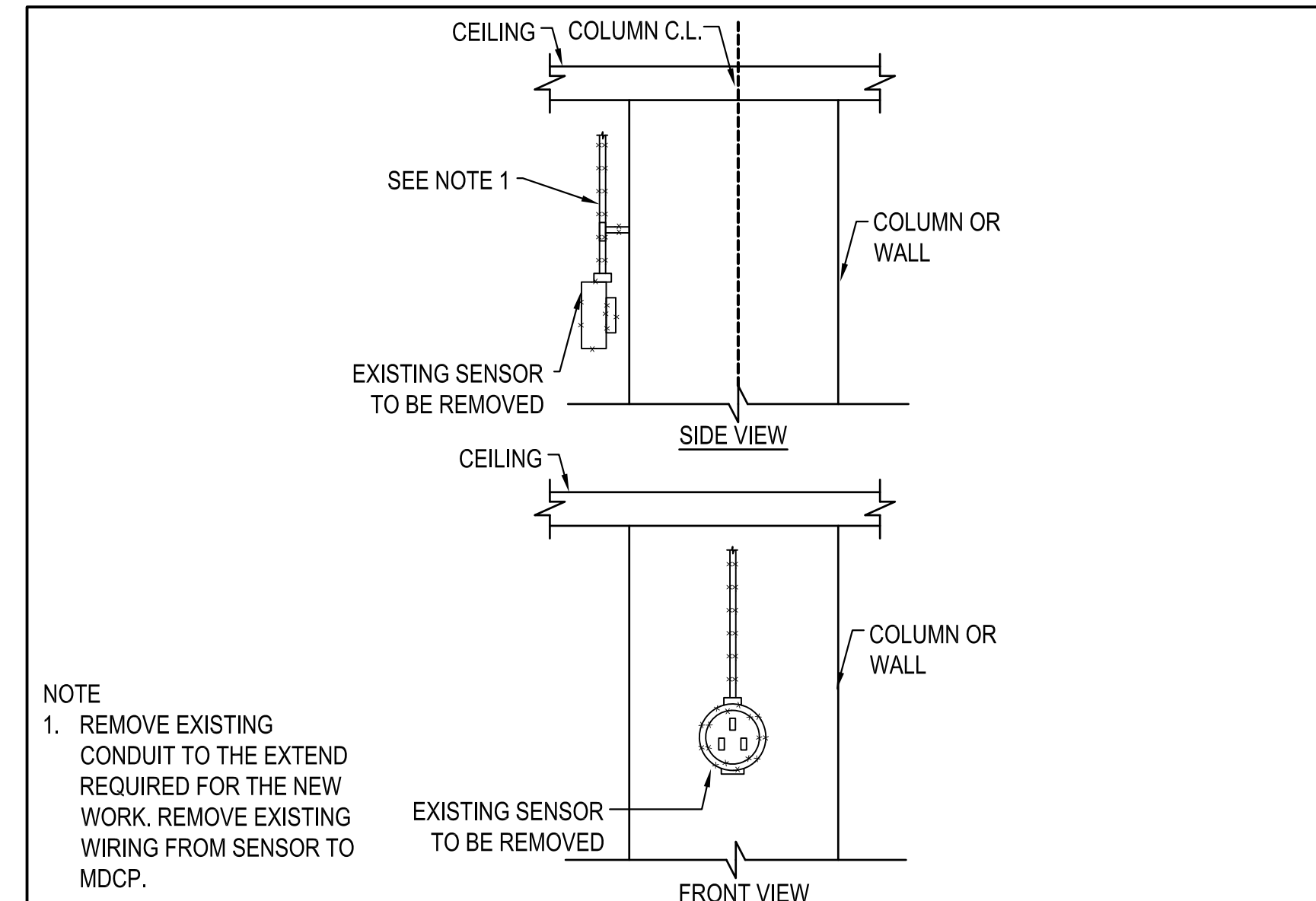
X401.00

Scale: NONE

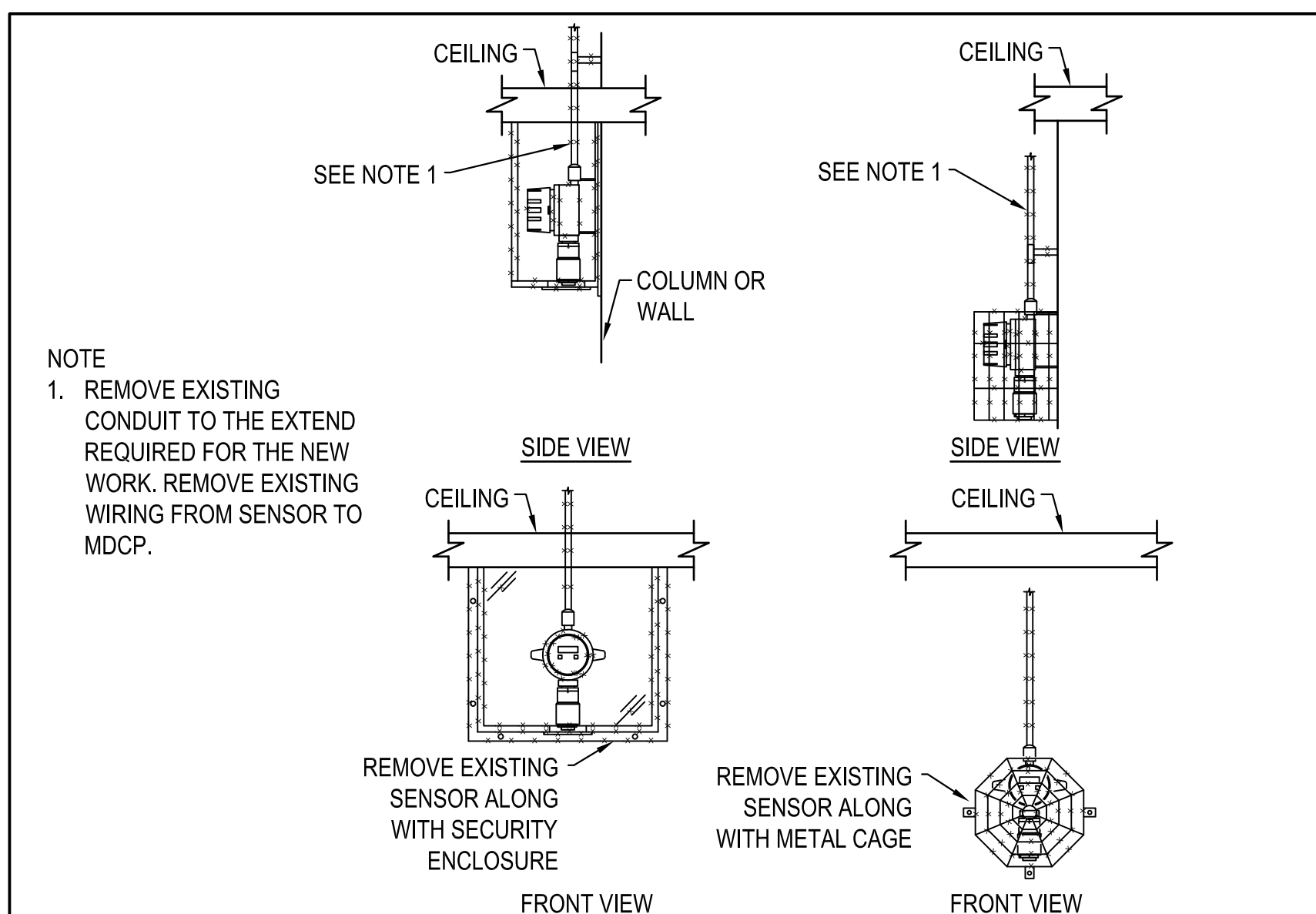
Sheet: 25 of 41



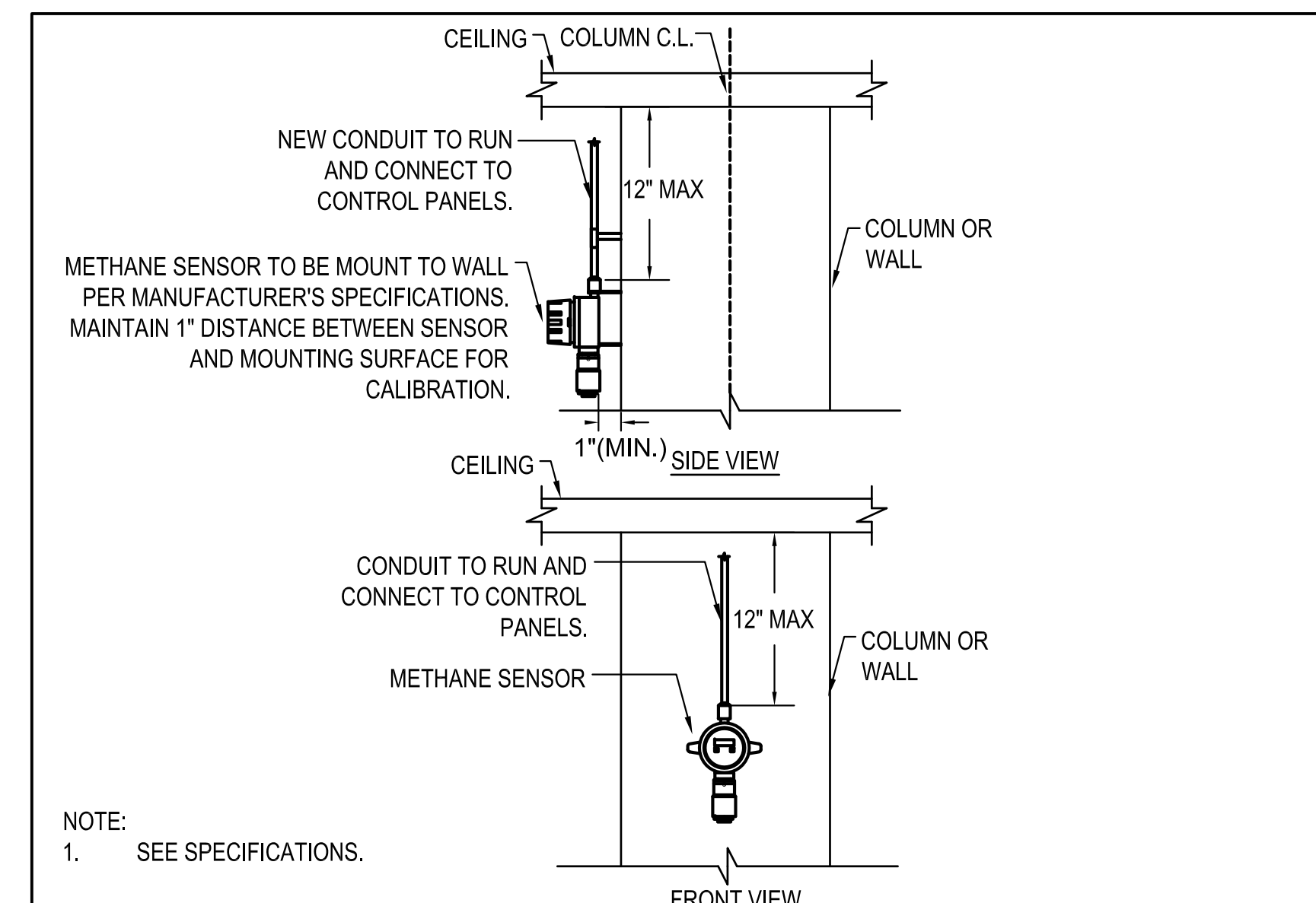
1 SCALE: NONE GRADE LEVEL METHANE MITIGATION BLOWER DETAIL



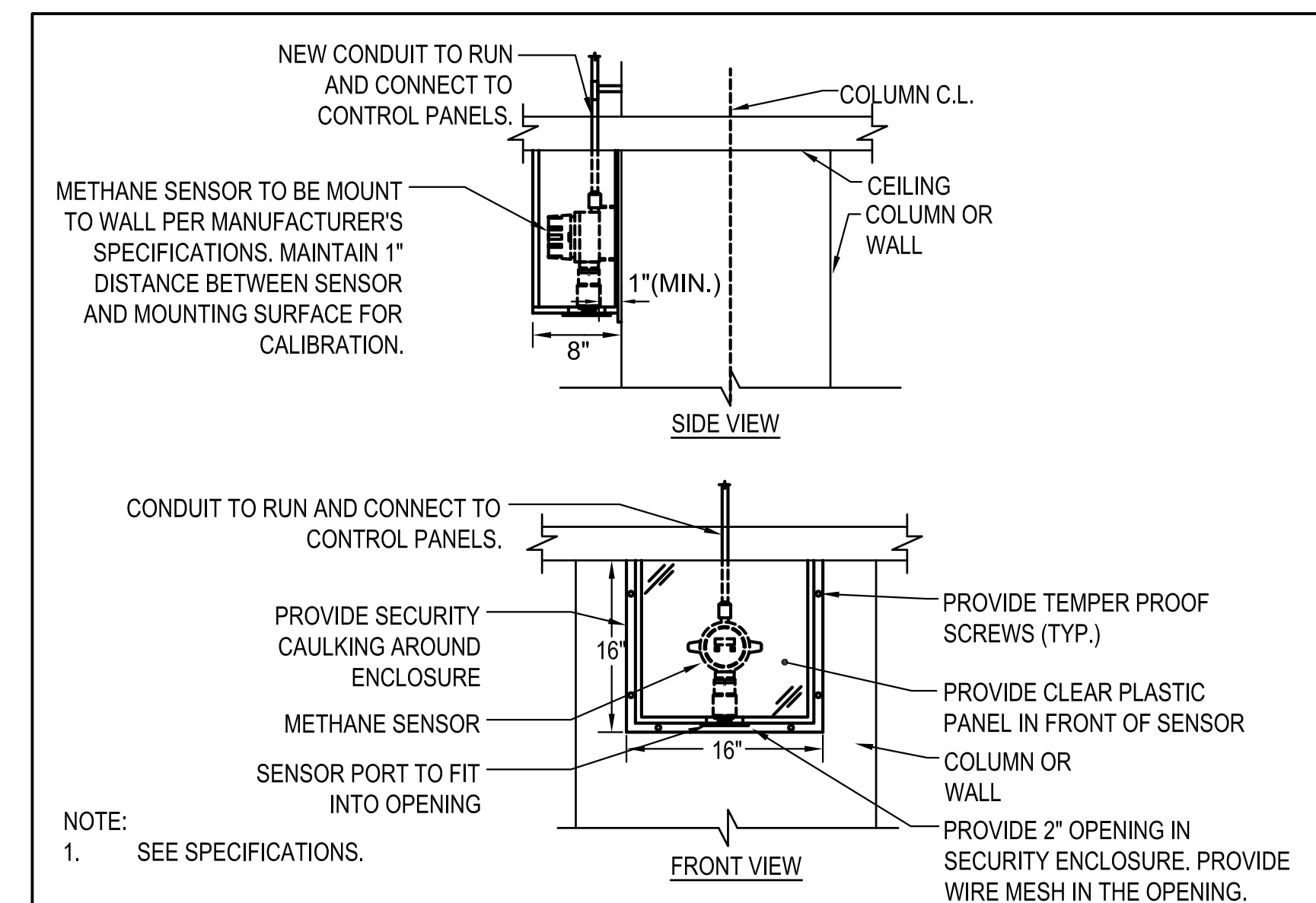
2 SCALE: NONE METHANE SENSOR REMOVAL DETAIL



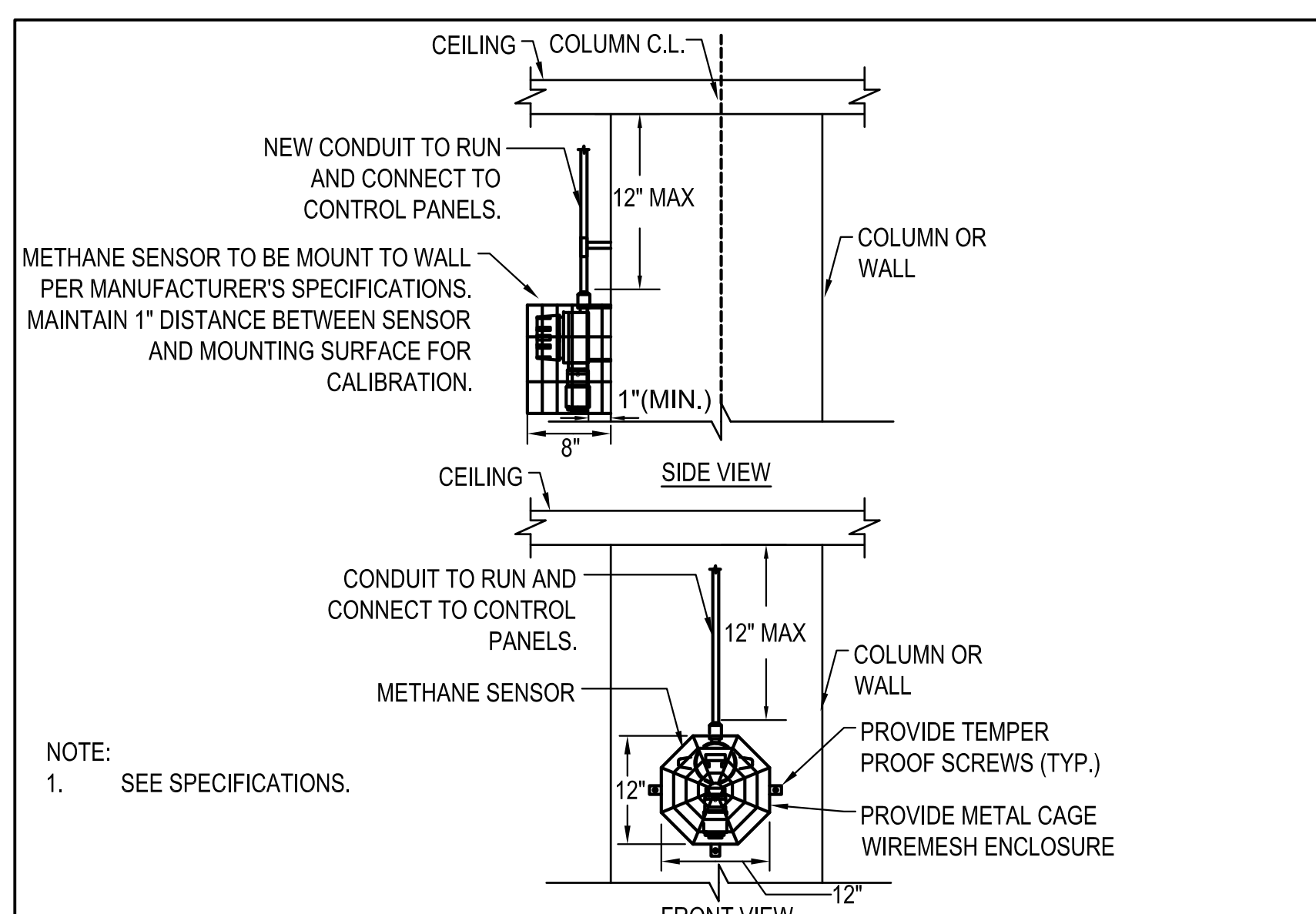
3 SCALE: NONE METHANE SENSOR WITH METAL CAGE/SECURITY ENCLOSURE REMOVAL DETAIL



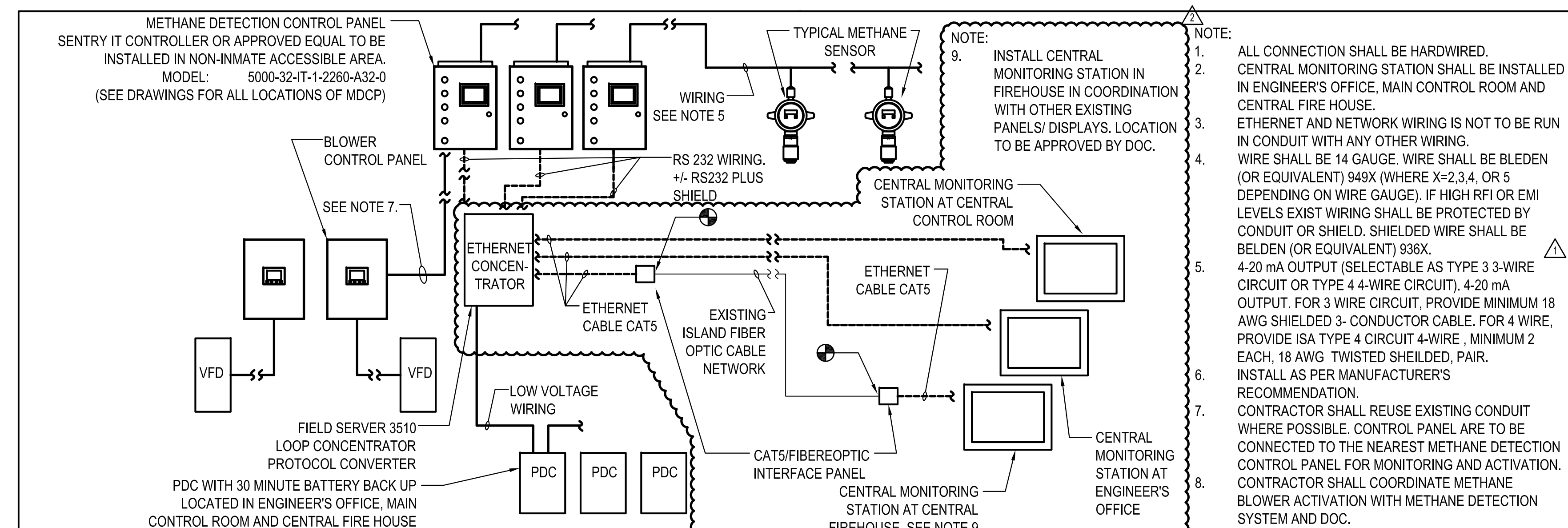
4 SCALE: NONE METHANE SENSOR MOUNTING DETAIL



5 SCALE: NONE METHANE SENSOR WITH SECURITY ENCLOSURE MOUNTING DETAIL



6 SCALE: NONE METHANE SENSOR WITH METAL CAGE MOUNTING DETAIL



7 SCALE: NONE METHANE DETECTION AND MITIGATION SYSTEM DETAIL

Please sign below in acknowledgment of this addendum and submit this addendum with your bid. Failure to do this may result in your bid being considered non-responsive.

All other aspects and requirements of the bid remain unchanged.

Agency Chief Contracting Officer

I acknowledge receipt of this addendum.

Bidder/Company Name (Print)

Authorized Representative (Print Name)

Authorized Representative (Signature)

Date