



# FOOD SERVICE ESTABLISHMENT WHEELCHAIR FRIENDLY DECAL

EASY-TO-UNDERSTAND QUESTIONS TO DETERMINE IF YOUR ESTABLISHMENT IS  
WHEELCHAIR FRIENDLY

PLEASE USE THE SURVEY INSTRUCTIONS ON THE REVERSE AS A GUIDE

- IS YOUR ESTABLISHMENT WHEELCHAIR FRIENDLY? If you can answer Yes to all the questions below, you will qualify to receive a Wheelchair Friendly decal, which you can display at the entrance of your food establishment
  - IS YOUR MAIN ENTRANCE FLUSH WITH THE SIDEWALK, OR IS THERE A RAMP, LIFT OR OTHER USABLE ENTRANCE?
  - IS THE ENTRANCE OPENING 32 INCHES OR LARGER?
  - ARE WHEELCHAIR SPACES DISTRIBUTED THROUGHOUT THE SEATING AREA AND IS THERE A LEVEL ROUTE TO THOSE SPACES?

Yes to All

### WAIVER & RELEASE FORM - USE OF MOPD WHEELCHAIR-FRIENDLY LOGO

I hereby voluntarily release, indemnify and hold the City of New York, the City of New York Office of the Mayor, the New York City Mayor's Office for People With Disabilities, the New York City Department of Health & Mental Hygiene, the New York City Community Affairs Unit, and all of their collective officers, agents and employees harmless from any and all liability or costs, including attorney's fees, associated with or arising from any and all liability resulting from or arising out of my answers provided on the Checklist and the display of the MOPD Wheelchair-Friendly logo (the "Logo") on the premises of my establishment.

I understand and agree that this Release applies to personal injury, property damage, or wrongful death which may be suffered as a result of a patron of my establishment's reliance on the display of the Logo, even if caused by the acts or omissions of others.

**Print Name of Establishment:** \_\_\_\_\_

**Print Address of Establishment:** \_\_\_\_\_

**Print Name of Restaurant Owner:** \_\_\_\_\_

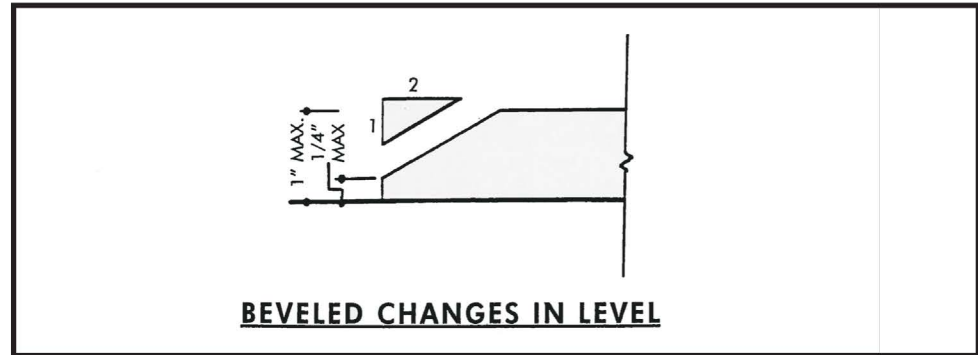
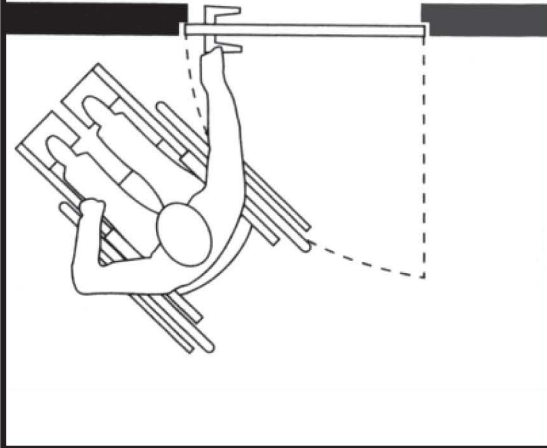
**Signature of Restaurant Owner:** \_\_\_\_\_ **Dated:** \_\_\_\_\_

If you qualify, return your completed survey and signed waiver to the **DCA Citywide Licensing Center**, 42 Broadway, NY, NY along with your new permit application documents.

*If you are an existing food service establishment permit holder, Call 311 to find out how to obtain this decal.*

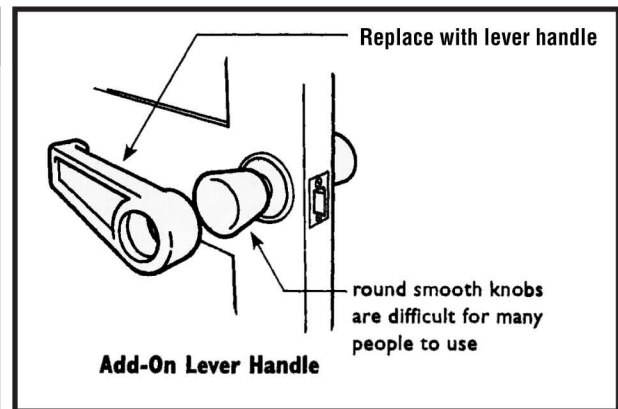
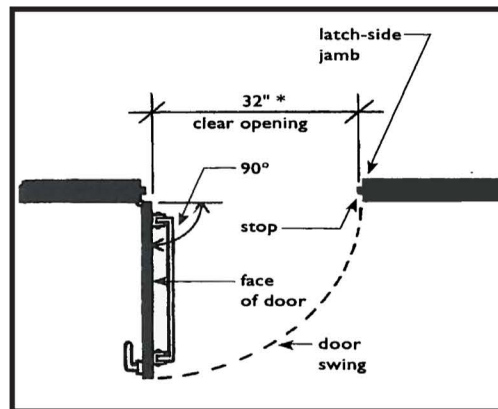
## #1. Entrance Landings

- Both sides of the doorway should be fairly level
- There should be enough maneuvering room on both sides of the door for a person in a wheelchair to avoid a conflict with the door swing
- The threshold or saddle should be no higher than 1" with beveled edges

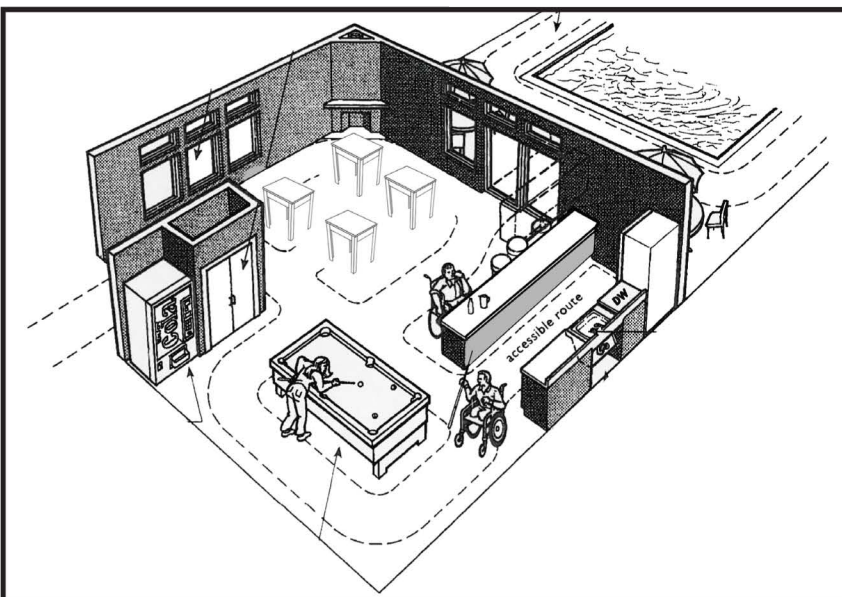


## #2. Doorway Clear Opening

- A 32-inch minimum clear opening is determined by measuring from the stop on the latch side jamb to the face of the door when standing in a 90-degree open position
- Door handles should be lever type.



## #3 Level Route to Wheelchair Spaces



- A 36-inch clear route allows a person to navigate to various eating/drinking areas in restaurant.
- A 27-inch minimum knee clearance from floor surface to underside of dining surface.

